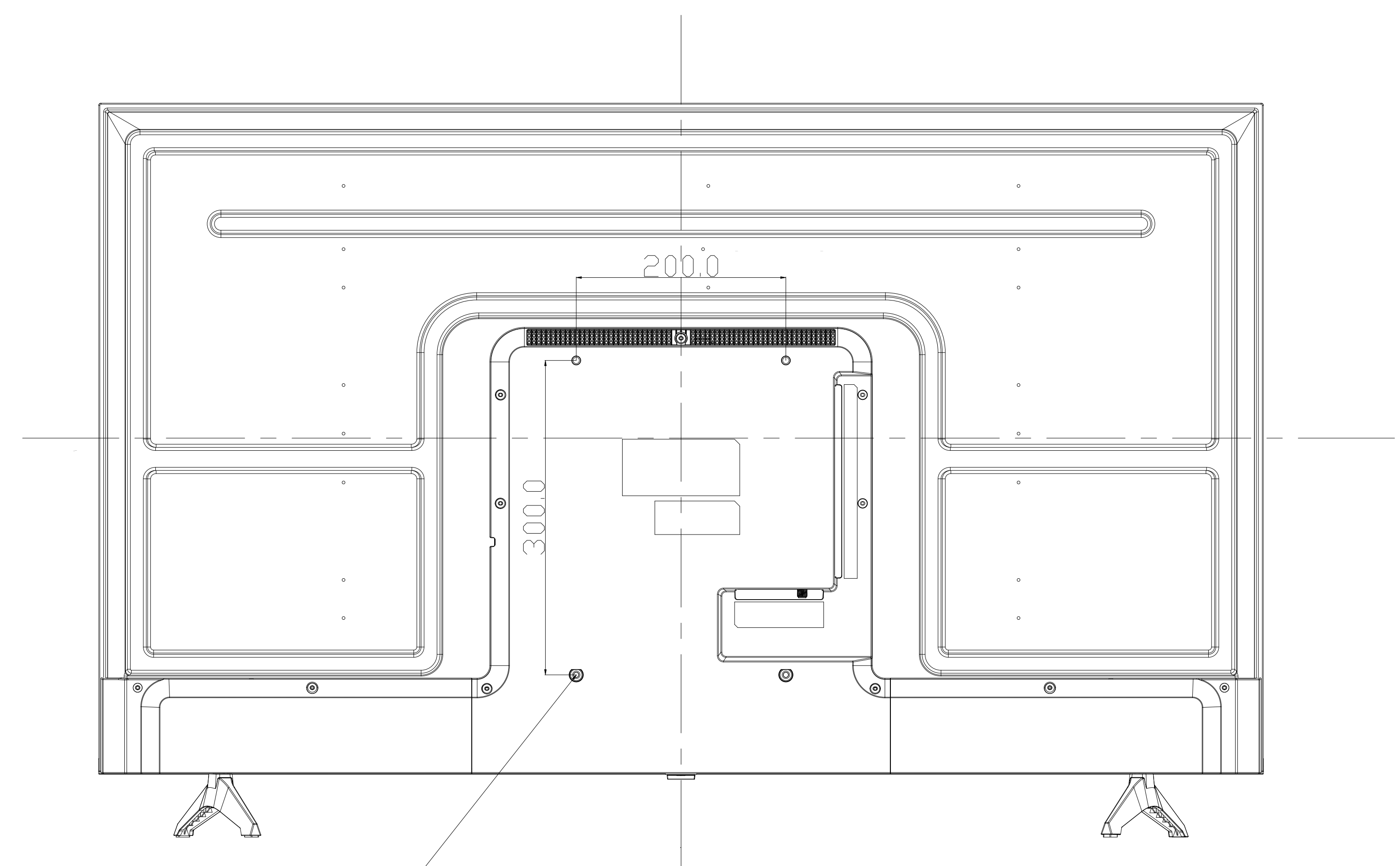
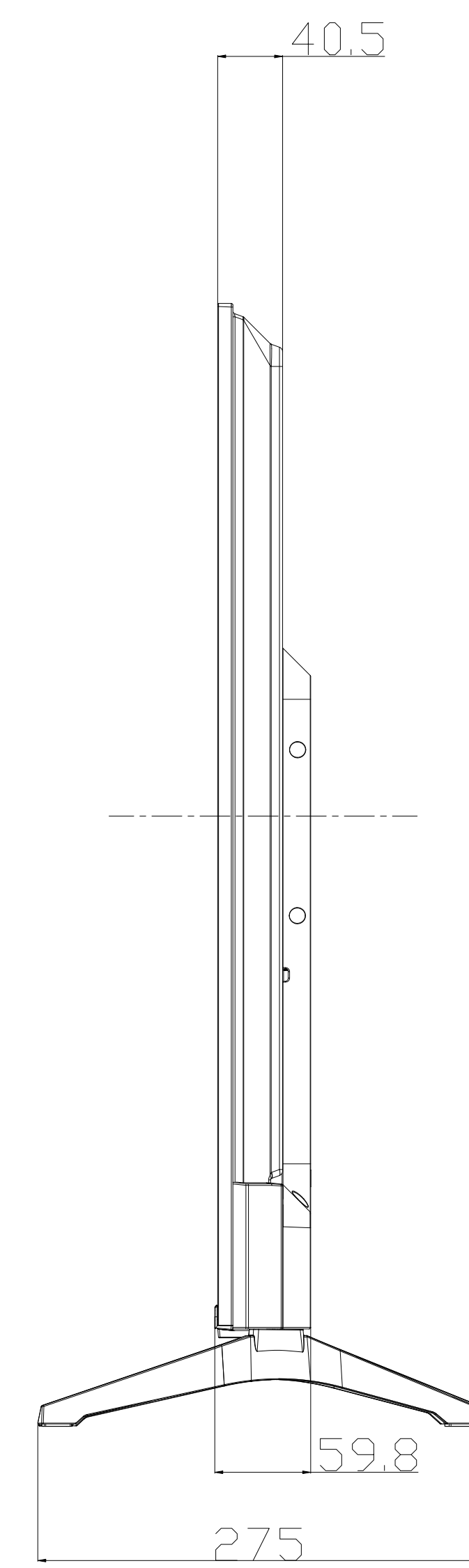
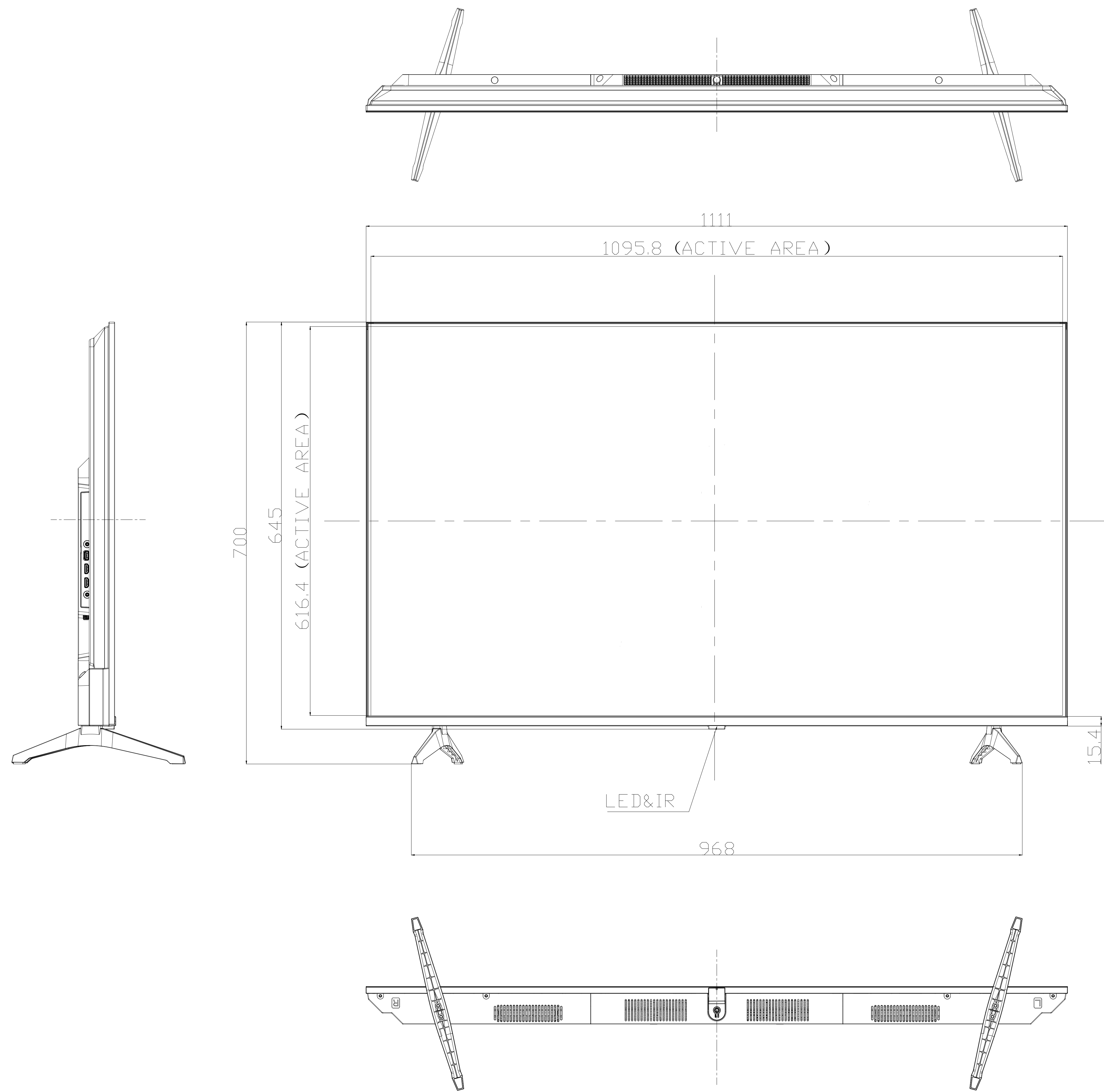


50PK640 PK340 S0UB Hexahedral drawing



4-WALL MOUNT SCREW=M6*(12+X)
(X=WALL MOUNT BRK THICKNESS)

BOE <-tronics(Su Zhou) Technology Co.,LTD					PROJECTION:	
					THIRD ANGLE	
DESIGNED:	DATE:20250901	UNITS: MM	S0PK640 PK340 S0UB Hexahedral drawing			
DRAWN:	DATE:	FINISH:	PART NO.:			
CHECKED:	DATE:	MASS(Kg):	REV			
APPROVED:	DATE:	SCALE: 1:1	V1.0			
REV	DATE	DESCRIPTION	DESIGNER	MODEL NAME:	UNITS:1 OF 1	MATERIAL: