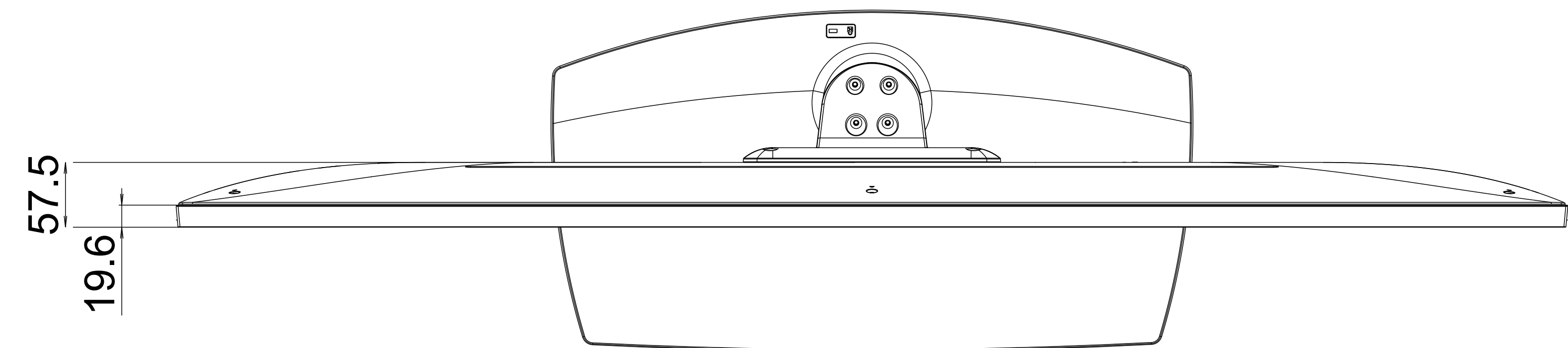


[55UP80 with Commercial 1 Pole Stand SET Dimension]

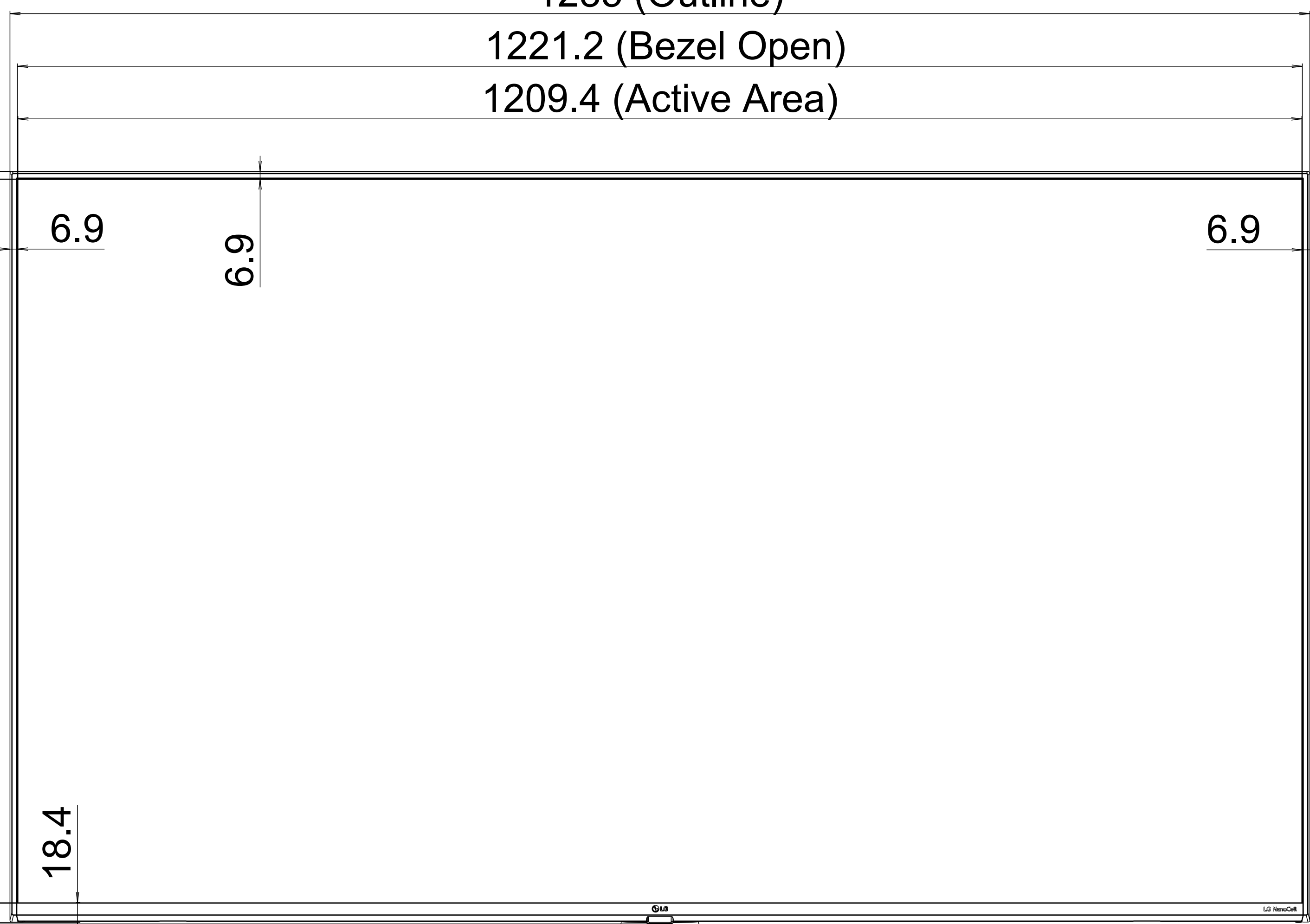
- Unit : mm

- Scale : 3/10 (Dimensions in the drawing are actual dimensions)

- Applied Models : All Series of Tool 55UP80 with Commercial 1 Pole Stand

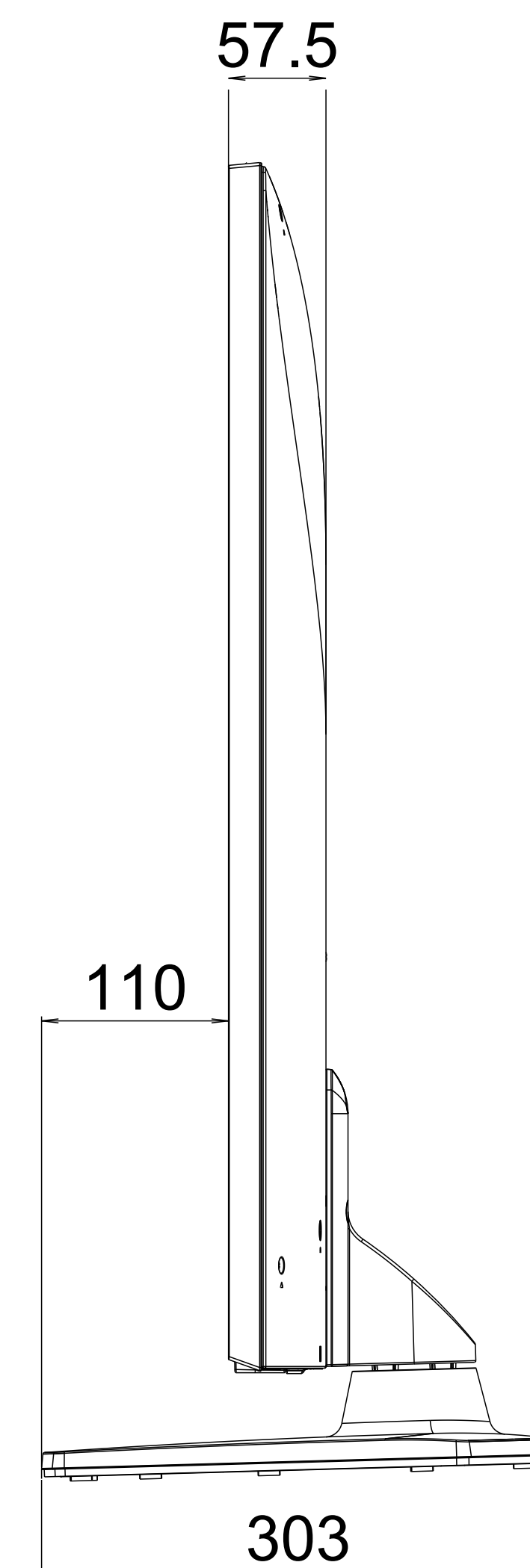
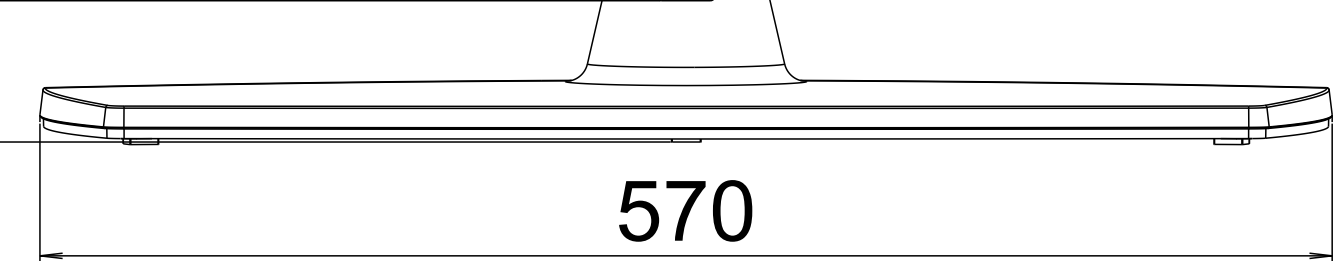


1235 (Outline)
1221.2 (Bezel Open)
1209.4 (Active Area)



777 (With Stand)
715 (Outline)
713 (Excluding Protrusion)
687.7 (Bezel Open)
680.3 (Active Area)

18.4



57.5

[WALL MOUNT SCREW]
4-M6, L = 15.4mm (Max)

