

E23787

Revised Edition V2 / July 2024

IN SEARCH OF INCREDIBLE



Service Manual

ASUS

COPYRIGHT INFORMATION

No part of this manual, including the products and software described in it, may be reproduced, transmitted, transcribed, stored in a retrieval system, or translated into any language in any form or by any means, except documentation kept by the purchaser for backup purposes, without the express written permission of ASUSTeK COMPUTER INC. ("ASUS").

ASUS PROVIDES THIS MANUAL "AS IS" WITHOUT WARRANTY OF ANY KIND, EITHER EXPRESS OR IMPLIED, INCLUDING BUT NOT LIMITED TO THE IMPLIED WARRANTIES OR CONDITIONS OF MERCHANTABILITY OR FITNESS FOR A PARTICULAR PURPOSE. IN NO EVENT SHALL ASUS, ITS DIRECTORS, OFFICERS, EMPLOYEES OR AGENTS BE LIABLE FOR ANY INDIRECT, SPECIAL, INCIDENTAL, OR CONSEQUENTIAL DAMAGES (INCLUDING DAMAGES FOR LOSS OF PROFITS, LOSS OF BUSINESS, LOSS OF USE OR DATA, INTERRUPTION OF BUSINESS AND THE LIKE), EVEN IF ASUS HAS BEEN ADVISED OF THE POSSIBILITY OF SUCH DAMAGES ARISING FROM ANY DEFECT OR ERROR IN THIS MANUAL OR PRODUCT.

Products and corporate names appearing in this manual may or may not be registered trademarks or copyrights of their respective companies, and are used only for identification or explanation and to the owners' benefit, without intent to infringe.

SPECIFICATIONS AND INFORMATION CONTAINED IN THIS MANUAL ARE FURNISHED FOR INFORMATIONAL USE ONLY, AND ARE SUBJECT TO CHANGE AT ANY TIME WITHOUT NOTICE, AND SHOULD NOT BE CONSTRUED AS A COMMITMENT BY ASUS. ASUS ASSUMES NO RESPONSIBILITY OR LIABILITY FOR ANY ERRORS OR INACCURACIES THAT MAY APPEAR IN THIS MANUAL, INCLUDING THE PRODUCTS AND SOFTWARE DESCRIBED IN IT.

Copyright © 2024 ASUSTeK COMPUTER INC. All Rights Reserved.

LIMITATION OF LIABILITY

Circumstances may arise where because of a default on ASUS' part or other liability, you are entitled to recover damages from ASUS. In each such instance, regardless of the basis on which you are entitled to claim damages from ASUS, ASUS is liable for no more than damages for bodily injury (including death) and damage to real property and tangible personal property; or any other actual and direct damages resulted from omission or failure of performing legal duties under this Warranty Statement, up to the listed contract price of each product.

ASUS will only be responsible for or indemnify you for loss, damages or claims based in contract, tort or infringement under this Warranty Statement.

This limit also applies to ASUS' suppliers and its reseller. It is the maximum for which ASUS, its suppliers, and your reseller are collectively responsible.

UNDER NO CIRCUMSTANCES IS ASUS LIABLE FOR ANY OF THE FOLLOWING: (1) THIRD-PARTY CLAIMS AGAINST YOU FOR DAMAGES; (2) LOSS OF, OR DAMAGE TO, YOUR RECORDS OR DATA; OR (3) SPECIAL, INCIDENTAL, OR INDIRECT DAMAGES OR FOR ANY ECONOMIC CONSEQUENTIAL DAMAGES (INCLUDING LOST PROFITS OR SAVINGS), EVEN IF ASUS, ITS SUPPLIERS OR YOUR RESELLER IS INFORMED OF THEIR POSSIBILITY.

SERVICE AND SUPPORT

Visit our multi-language website at <https://www.asus.com/support/>

Table of Contents

Chapter 1: Introduction

Disclaimer	8
Safety precautions.....	8
Pre-repair checklist	10
Installation tools.....	11
Accessories.....	11
Diagnostic tools	11
Major components.....	12

Chapter 2: Service Procedures

Bottom cover.....	20
Removal	21
Installation	23
Battery	24
Removal	25
Installation	28
M.2 SSD module.....	31
Removal	32
Installation	34
WLAN module.....	38
Removal	39
Installation	40
LTE module (on selected models).....	41
Removal	42
Installation	43

RAM module.....	44
Removal	45
Installation	46
Speakers.....	47
Removal	48
Installation	49
Heat sink	50
Removal	51
Installation	53
Fan module	55
Removal	56
Installation	57
Smart card reader (on selected models)	58
Removal	59
Installation	60
Display panel module	61
Removal	62
Installation	66
Display panel (Non-touch models)	70
Removal	71
Installation	76
Camera module (Non-touch models)	81
Removal	82
Installation	84

Top cover (Non-touch models)	86
Removal	87
Installation	88
I/O board.....	89
Removal	90
Installation	91
Motherboard	92
Removal	93
Installation	95
Touchpad.....	98
Removal	99
Installation	101
Keyboard module.....	103
Removal	104
Installation	105
Appendix	
Wiring and connection diagrams	108

Chapter 1: ***Introduction***

Disclaimer

ASUS is not responsible for direct, indirect, intentional or unintentional damages resulting from improper installation and operation.

Safety precautions

- Before handling components, use a grounded wrist strap or touch a safely grounded object to avoid damaging them due to static electricity.
- Keep liquids or moisture away from your device to avoid short circuits.
- Remove rings, watches, and any other metal objects from your hands.
- Hold components by the edges to avoid touching the ICs.
- Properly install all components before connecting the AC power.
- Do not use power adapters or batteries from other devices to reduce the risk of injury to persons due to fire or explosion. Use only certified power adapters or batteries supplied by the manufacturer or authorized retailers.
- Detach all clips or flaps before removing cables to prevent damage.

- Disconnect cables, connectors, and power plugs by pulling the plug evenly to avoid damage.
- Use the correct screw models on your device to prevent damage.
- Confirm that the cable orientation is correct before connecting any cables.
- Fully remove all adhesive residue after removing and before installing any components.
- Photograph the appearance of cables, cable routing, connectors, and screws for later reference before proceeding with each step.

Pre-repair checklist

- Read the entire manual before starting any service procedures and follow all instructions.
 - Back up the data on your device.
 - Place your device on a clean and stable surface.
 - Turn off your device.
 - Disconnect all connected peripherals and cables.
 - Disconnect all power cables and remove the battery pack (if applicable).
-

IMPORTANT!

- If you are uncertain about performing the described service procedures, stop and contact an authorized service center for assistance.
 - Purchase replacement components from authorized retailers of this device to ensure maximum compatibility and reliability.
-

NOTE:

- The illustrations are for reference only.
 - The service procedures described in this manual depend on the model configuration and may not reflect the entire servicing process. To service components that are not covered in this manual, please visit an authorized service center for further assistance.
 - Keep all adhesive tape, insulating materials, screws, and other removable items in a safe place until the service procedure is completed, as they may be needed during installation.
-

Installation tools



Screwdriver



Plastic blade



Tweezers

Accessories



Power adapter

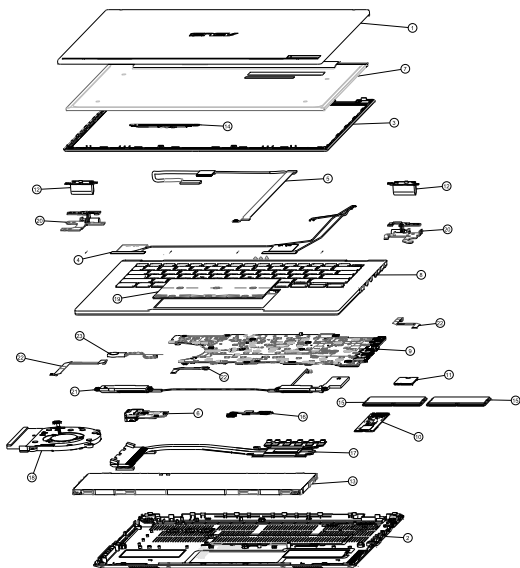
Diagnostic tools

Use ASUS System Diagnostics after completing any service procedures to ensure that all components are working properly.

For more information, visit www.asus.com/support/FAQ/1048490/.

Major components

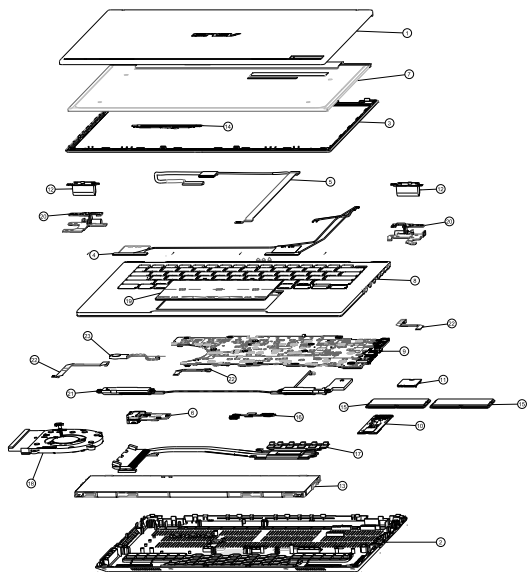
B3404CVA



1. Top cover
2. Bottom cover
3. Display bezel
4. Antenna cable
5. eDP cable
6. I/O board
7. Display panel
8. Keyboard module
9. Motherboard
10. M.2 SSD module
11. WLAN module
12. Hinge caps
13. Battery
14. Camera module*
15. RAM module
16. Battery power cable
17. Heat sink
18. Fan
19. Touchpad
20. Display hinges
21. Speakers
22. FFC cables
23. Coin battery

** On selected models*

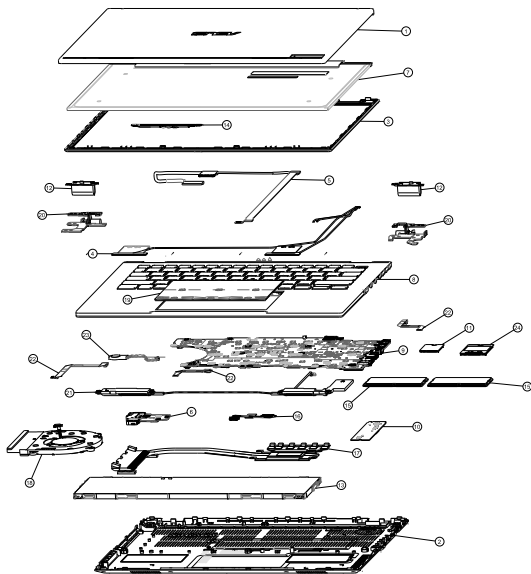
B3404CVF



1. Top cover
2. Bottom cover
3. Display bezel
4. Antenna cable
5. eDP cable
6. I/O board
7. Display panel
8. Keyboard module
9. Motherboard
10. M.2 SSD module
11. WLAN module
12. Hinge caps
13. Battery
14. Camera module*
15. RAM module
16. Battery power cable
17. Heat sink
18. Fan
19. Touchpad
20. Display hinges
21. Speakers
22. FFC cables
23. Coin battery

** On selected models*

B3404CMA

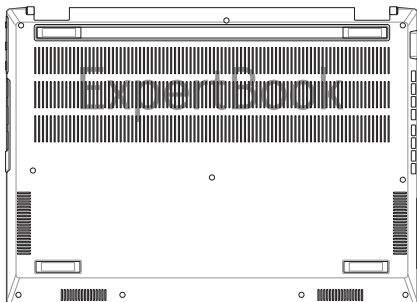


1. Top cover
2. Bottom cover
3. Display bezel
4. Antenna cable
5. eDP cable
6. I/O board
7. Display panel
8. Keyboard module
9. Motherboard
10. M.2 SSD module
11. WLAN module
12. Hinge caps
13. Battery
14. Camera module
15. RAM module
16. Battery power cable
17. Heat sink
18. Fan
19. Touchpad
20. Display hinges
21. Speakers
22. FFC cables
23. Coin battery
24. LTE module*

** On selected models*

Chapter 2: ***Service Procedures***

Bottom cover



Before you begin

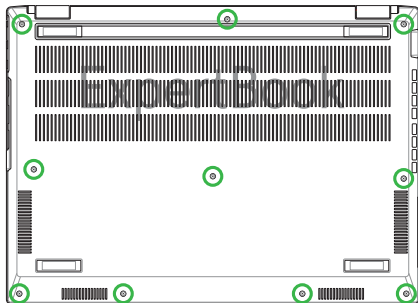
Read the **Safety Precautions** and complete the **Pre-repair Checklist**.

Screw list

- ⊕ M2.5 X 6.0L (10pcs)

Removal

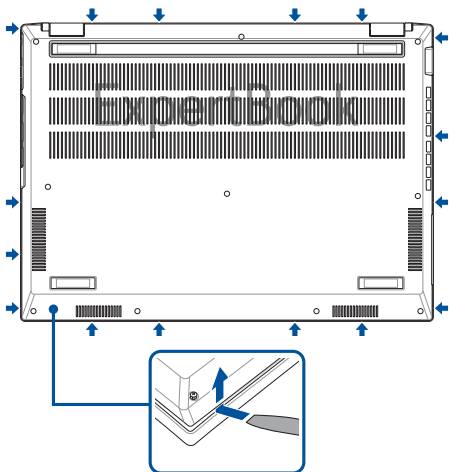
1. Remove the screw(s) from the bottom cover.



2. Use the plastic blade to pry open the indicated area of the bottom cover as shown in the illustration below.

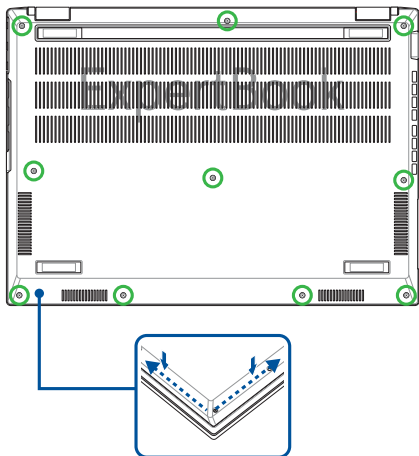
IMPORTANT! Avoid sliding the plastic blade along the side of your device or air vents to prevent damage.

3. Remove the bottom cover.

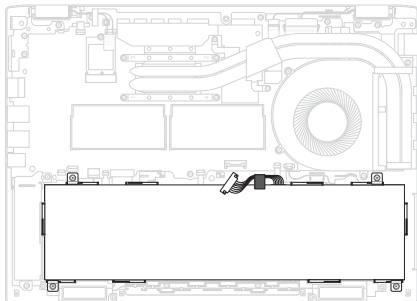


Installation

1. Install the bottom cover.
2. Gently press down on the bottom cover until it clicks into place.
3. Secure the bottom cover using the screw(s) you removed earlier.



Battery



Before you begin

1. Read the **Safety Precautions** and **Pre-repair Checklist**.
2. Remove the following components:
 - Bottom cover

Screw list

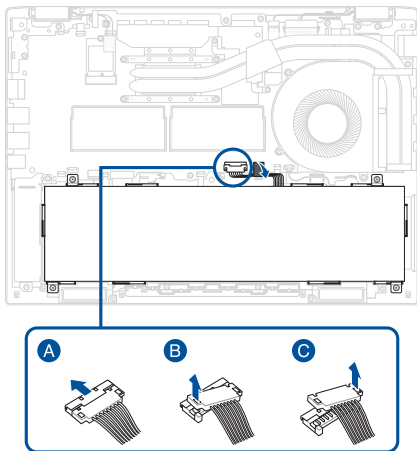
- ⊕ M2.0 X 4.0L (4pcs)

Removal

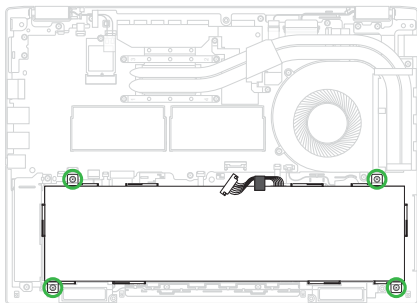
1. Remove the tape, then disconnect the battery power cable.

IMPORTANT!

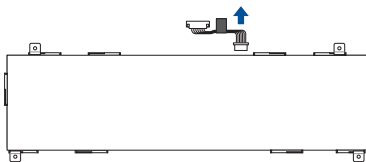
- Disconnect the battery power cable by lifting the side with the red wires first.
 - Serious risk of fire or explosion may occur if the battery is punctured. If you are uncertain about proceeding, stop and contact an authorized service center for assistance.
-



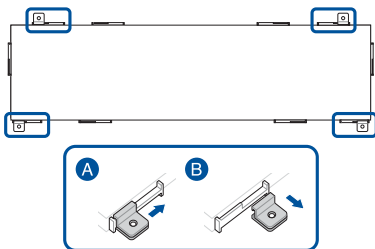
2. Remove the screw(s) from the battery, then remove the battery.



3. Remove the battery power cable.

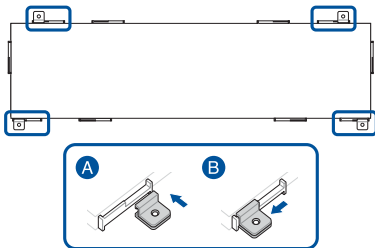


4. Remove the battery brackets from the battery.

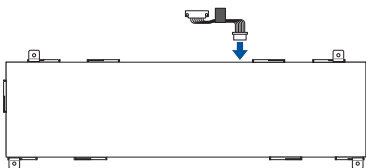


Installation

1. Attach the battery brackets to the battery.

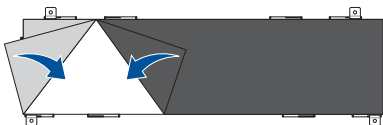


2. Connect the battery power cable to the battery.

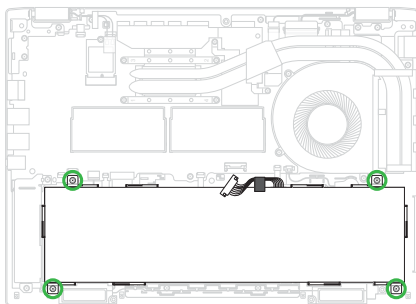


3. Attach the polyester film to the battery.

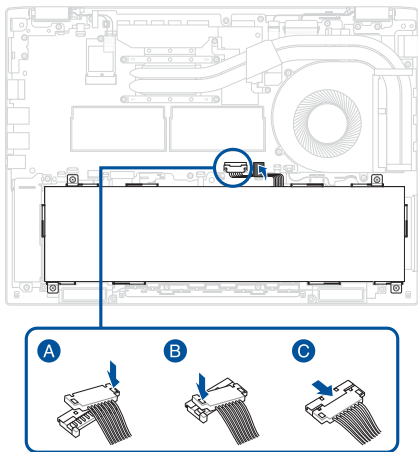
NOTE: This step is only required when you are replacing the existing component with a new one.



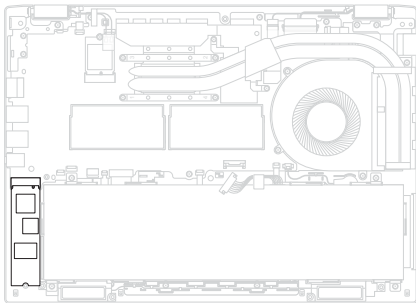
4. Install the battery, then secure the battery using the screw(s) you removed earlier.



5. Reconnect the battery power cable, then reattach the tape.
6. Install the components you removed in the *Before you begin* section.



M.2 SSD module



Before you begin

1. Read the **Safety Precautions** and **Pre-repair Checklist**.
2. Remove the following components:
 - Bottom cover
 - Battery

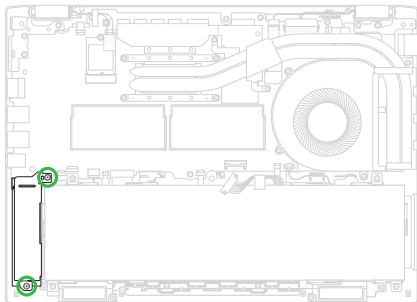
Screw list

- ⊕ M2.0 X 4.0L (2pcs)
- ⊕ M2.0 X 3.0L (2pcs)

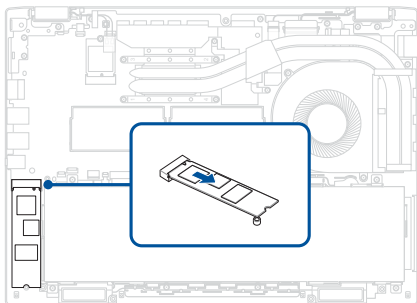
Removal

M.2 2280 SSD module

1. Remove the screw(s), then remove the M.2 SSD shield.

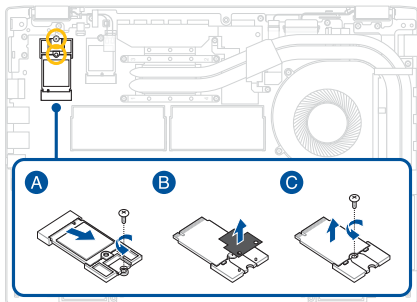


2. Remove the M.2 SSD module from the motherboard.



M.2 2230 SSD module (on selected models)

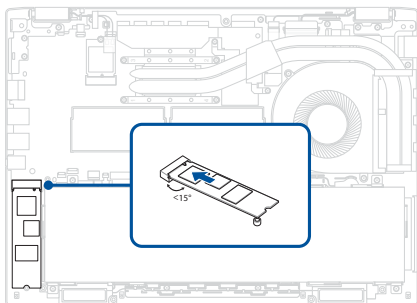
1. Remove the screw, then remove the M.2 SSD module from the motherboard.
2. Flip the M.2 SSD module over, then remove the polyester film.
3. Remove the screw, then remove the M.2 SSD module from the M.2 SSD bracket.



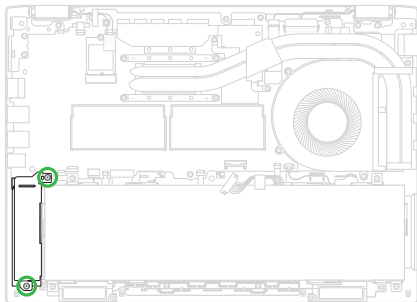
Installation

M.2 2280 SSD module

1. Align and insert the M.2 SSD module into the M.2 connector on the motherboard.

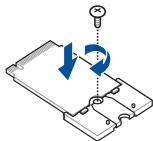


2. Install the M.2 SSD shield, then secure the M.2 SSD shield using the screw(s) you removed earlier.
3. Install the components you removed in the *Before you begin* section.

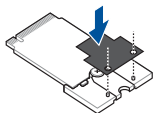


M.2 2230 SSD module (on selected models)

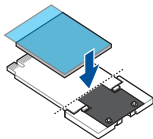
1. Secure the M.2 SSD module to the M.2 SSD bracket using the screw you removed earlier.



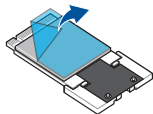
2. Align and attach the polyester film to the M.2 SSD bracket.



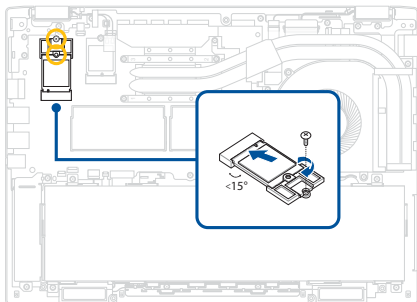
3. Align and attach the thermal pad to the M.2 SSD module.



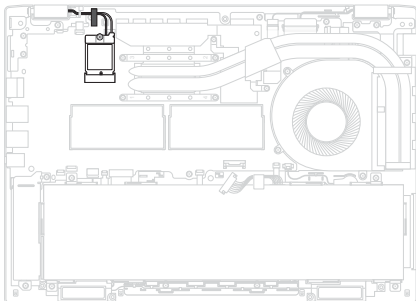
4. Remove the release liner from the thermal pad.



5. Flip the M.2 SSD module over, then align and insert the M.2 SSD module into the M.2 connector on the motherboard.
6. Secure the M.2 SSD module using the screw you removed earlier.
7. Install the components you removed in the *Before you begin* section.



WLAN module



Before you begin

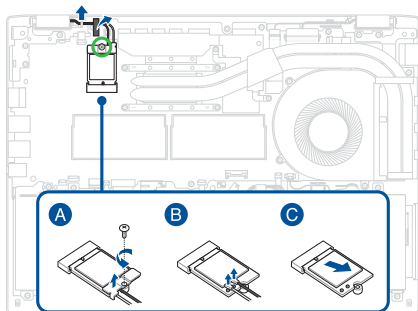
1. Read the **Safety Precautions** and **Pre-repair Checklist**.
2. Remove the following components:
 - Bottom cover
 - Battery

Screw list

- ⊕ M2.0 X 3.0L (1pc)

Removal

1. Remove the screw and remove the bracket, then disconnect the cable(s) and remove the WLAN module.
2. Remove the tape, then remove the cable(s) from the cable guide(s).

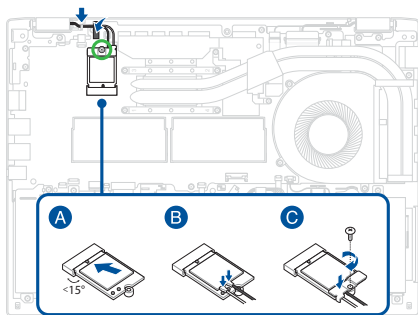


Installation

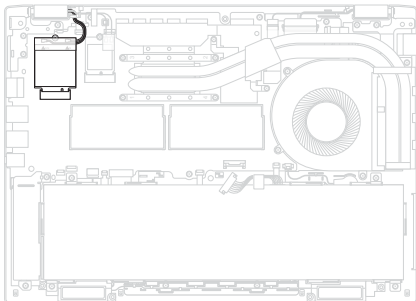
1. Install the WLAN module and reconnect the cable(s), then install the bracket and secure the bracket using the screw you removed earlier.
2. Route the cable(s) through the cable guide(s), then reattach the tape.

IMPORTANT! Damage may occur if cables are not properly routed through the cable guides. Confirm that all cables are routed through each of the indicated cable guides before proceeding.

3. Install the components you removed in the *Before you begin* section.



LTE module (on selected models)



Before you begin

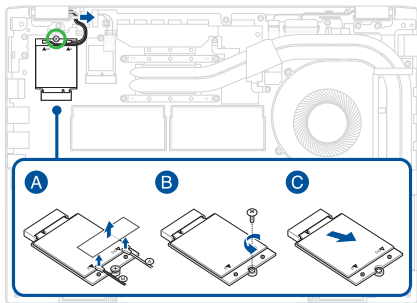
1. Read the **Safety Precautions** and **Pre-repair Checklist**.
2. Remove the following components:
 - Bottom cover
 - Battery

Screw list

- ⊕ M2.0 X 3.0L (1pc)

Removal

1. Remove the polyester film and disconnect the cable(s), then remove the screw and remove the LTE module.
2. Remove the cable from the cable guide.

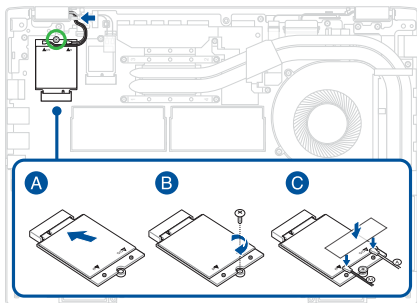


Installation

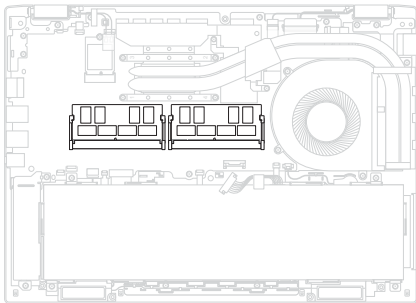
1. Install the LTE module and secure the LTE module using the screw you removed earlier, then reconnect the cable(s) and reattach the polyester film.
2. Route the cable through the cable guide(s).

IMPORTANT! Damage may occur if cables are not properly routed through the cable guides. Confirm that all cables are routed through each of the indicated cable guides before proceeding.

3. Install the components you removed in the *Before you begin* section.



RAM module

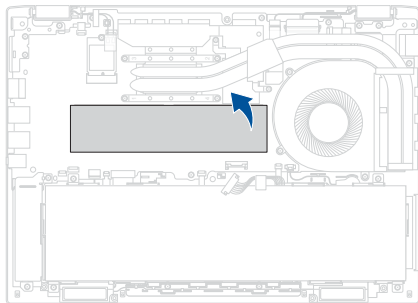


Before you begin

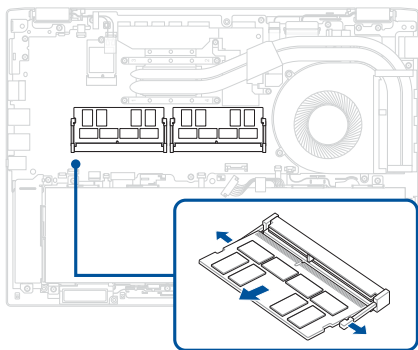
1. Read the **Safety Precautions** and **Pre-repair Checklist**.
2. Remove the following components:
 - Bottom cover
 - Battery

Removal

1. Remove the polyester film.

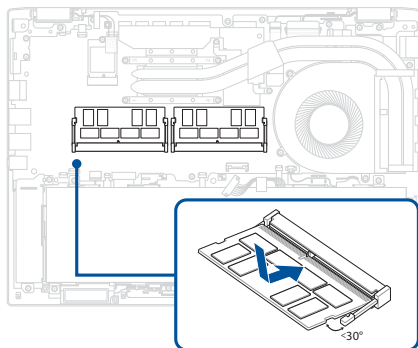


2. Push the clips outwards to remove the RAM module.

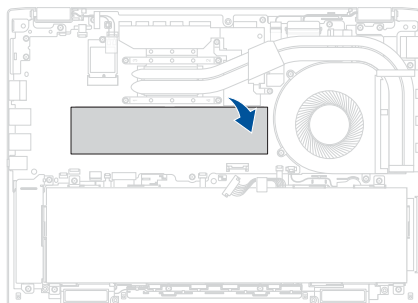


Installation

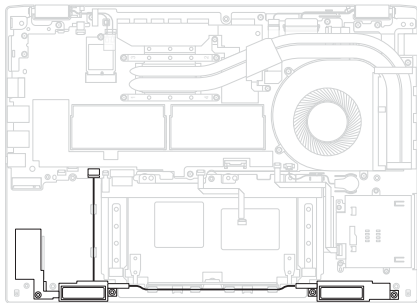
1. Align and insert the RAM module into the RAM module slot.



2. Reattach the polyester film.
3. Install the components you removed in the *Before you begin* section.



Speakers

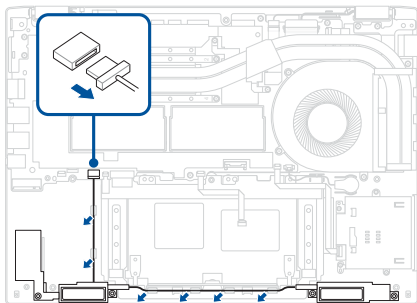


Before you begin

1. Read the **Safety Precautions** and **Pre-repair Checklist**.
2. Remove the following components:
 - Bottom cover
 - Battery
 - M.2 SSD module

Removal

1. Disconnect the speaker connector.
2. Remove the cable from the cable guide(s).
3. Remove the speakers.

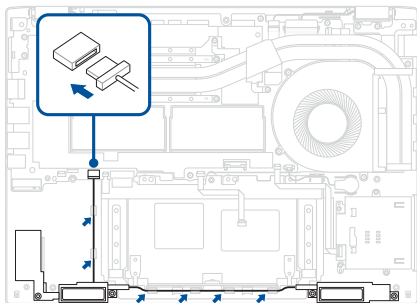


Installation

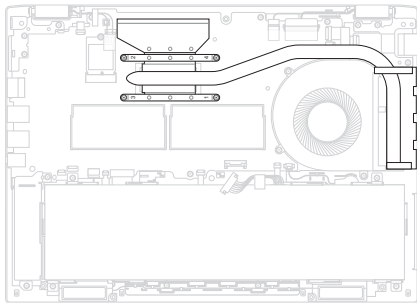
1. Install the speakers.
2. Route the cable through the cable guide(s).

IMPORTANT! Damage may occur if cables are not properly routed through the cable guides. Confirm that all cables are routed through each of the indicated cable guides before proceeding.

3. Reconnect the speaker connector.
4. Install the components you removed in the *Before you begin* section.



Heat sink



Before you begin

IMPORTANT! Thermal paste, thermal pads, liquid metal, or other thermal interface materials must be thoroughly removed and replaced if this component is removed. Ensure that replacement materials are available before proceeding, or contact an authorized service center for assistance.

1. Read the **Safety Precautions** and **Pre-repair Checklist**.
2. Remove the following components:
 - Bottom cover
 - Battery

Screw list

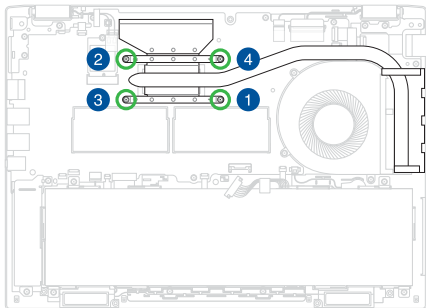
- ⊕ M2.0 X 3.0L (4-6pcs)

Removal

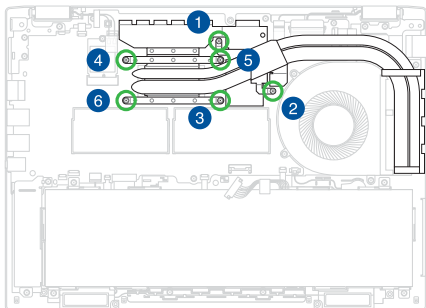
Remove the heat sink screw(s) one by one in the sequence shown in the illustration below, then remove the heat sink.

IMPORTANT! Vertically lift the heat sink using the left side of the heat sink to prevent damage.

4-screw heat sink



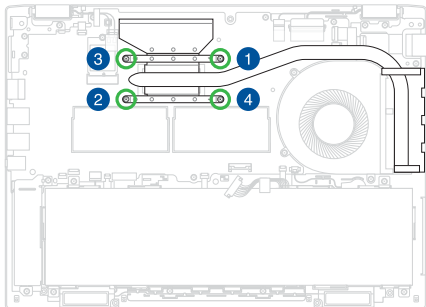
6-screw heat sink



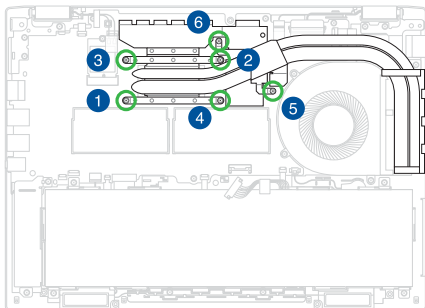
Installation

1. Install the heat sink, then secure the heat sink screw(s) one by one in the sequence shown in the illustration below.
2. Install the components you removed in the *Before you begin* section.

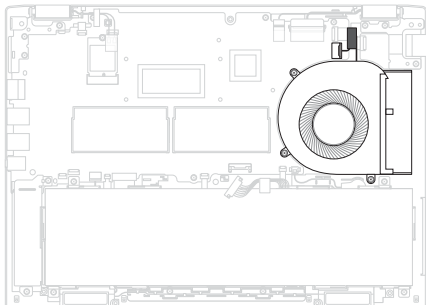
4-screw heat sink



6-screw heat sink



Fan module



Before you begin

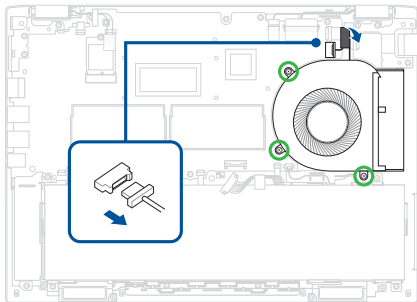
1. Read the **Safety Precautions** and **Pre-repair Checklist**.
2. Remove the following components:
 - Bottom cover
 - Battery
 - Heat sink

Screw list

- ⊕ M2.0 X 4.0L (3pcs)

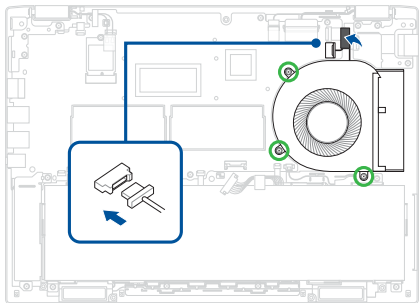
Removal

1. Remove the tape, then disconnect the fan connector.
2. Remove the screw(s).
3. Remove the fan.

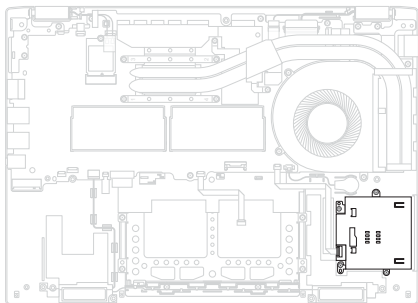


Installation

1. Install the fan.
2. Secure the fan using the screw(s) you removed earlier.
3. Reconnect the fan connector, then reattach the tape.
4. Install the components you removed in the *Before you begin* section.



Smart card reader (on selected models)



Before you begin

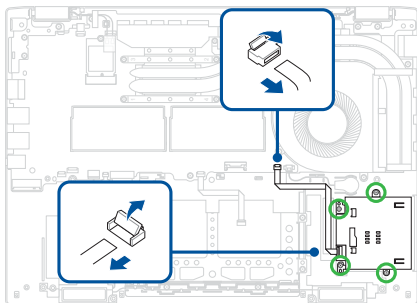
1. Read the **Safety Precautions** and **Pre-repair Checklist**.
2. Remove the following components:
 - Bottom cover
 - Battery

Screw list

- ⊕ M1.6 X 2.0L (4pcs)

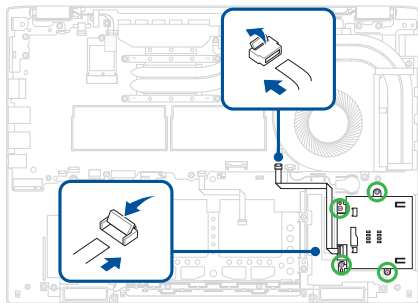
Removal

Disconnect the cable and remove the screw(s), then remove the smart card reader.

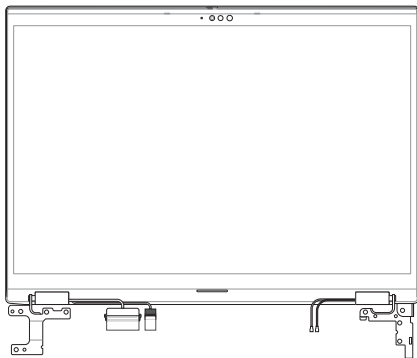


Installation

1. Install the smart card reader, then secure the smart card reader using the screw(s) you removed earlier and reconnect the cable.
2. Install the components you removed in the *Before you begin* section.



Display panel module



Before you begin

IMPORTANT! Do not bend the display panel in any way to avoid risk of display panel leakage.

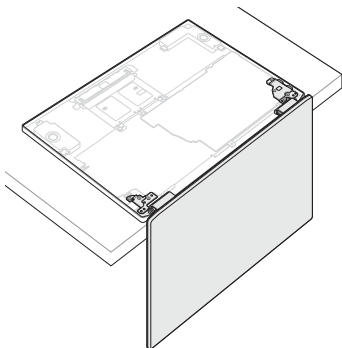
1. Read the **Safety Precautions** and **Pre-repair Checklist**.
2. Remove the following components:
 - Bottom cover
 - Battery
 - Heat sink

Screw list

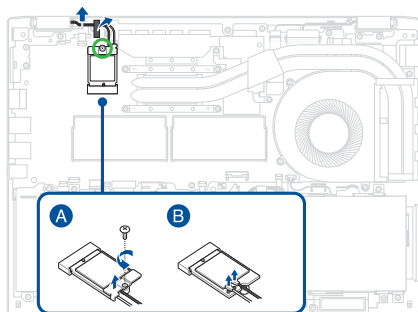
- ⊕ M2.5 X 4.5L (6pcs)

Removal

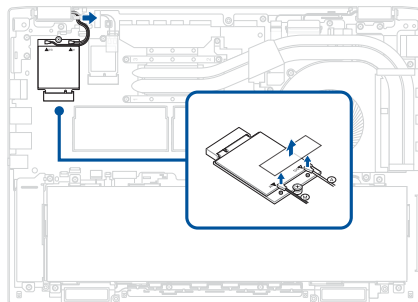
1. Place your device with the display panel hanging over the edge of the workspace as shown in the illustration below.



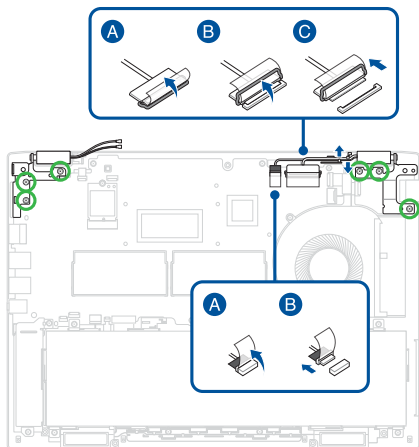
2. Remove the screw and remove the bracket, then disconnect the cable(s).
3. Remove the tape, then remove the cable(s) from the cable guide(s).



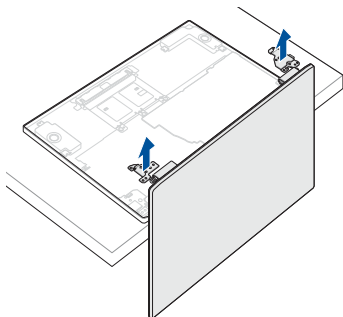
4. Remove the polyester film and disconnect the cable(s) (if available).
5. Remove the cable(s) from the cable guide(s) (if available).



6. Disconnect the cable(s).
7. Remove the cable(s) from the cable guide(s).
8. Remove the screw(s).

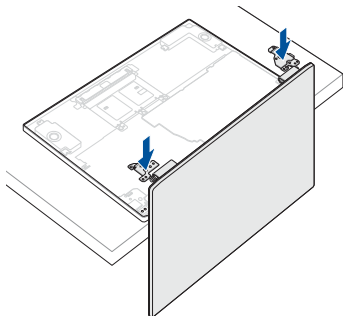


9. Remove the display panel module.



Installation

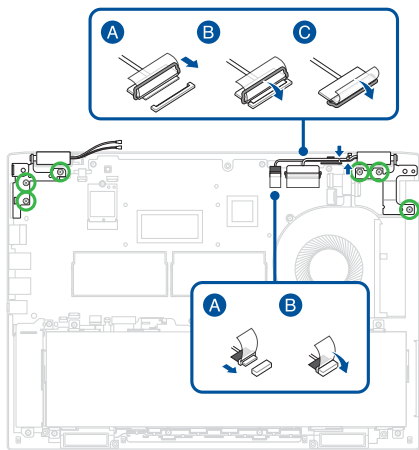
1. In the orientation shown, align and place the hinges of the display panel module on the screw holes.



2. Secure the hinges using the screw(s) you removed earlier.
3. Route the cable(s) through the cable guide(s).

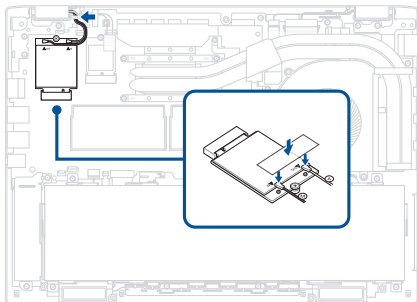
IMPORTANT! Damage may occur if cables are not properly routed through the cable guides. Confirm that all cables are routed through each of the indicated cable guides before proceeding.

4. Reconnect the cable(s).



5. Reconnect the cable(s) and reattach the polyester film (if available).
6. Route the cable through the cable guide(s) (if available).

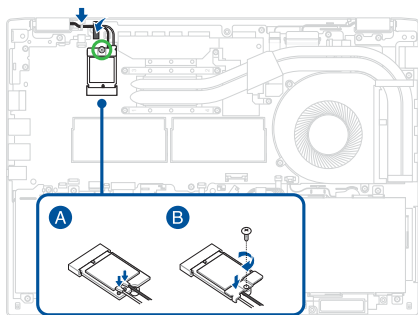
IMPORTANT! Damage may occur if cables are not properly routed through the cable guides. Confirm that all cables are routed through each of the indicated cable guides before proceeding.



7. Reconnect the cable(s), then install the bracket and secure the bracket using the screw you removed earlier.
8. Route the cable(s) through the cable guide(s), then reattach the tape.

IMPORTANT! Damage may occur if cables are not properly routed through the cable guides. Confirm that all cables are routed through each of the indicated cable guides before proceeding.

9. Install the components you removed in the *Before you begin* section.



Display panel (Non-touch models)



Before you begin

IMPORTANT!

- This component is fragile. Damage may occur if the service procedure is performed incorrectly. If you are uncertain about proceeding, stop and contact an authorized service center for assistance.
 - Do not bend the display panel in any way to avoid risk of display panel leakage.
-

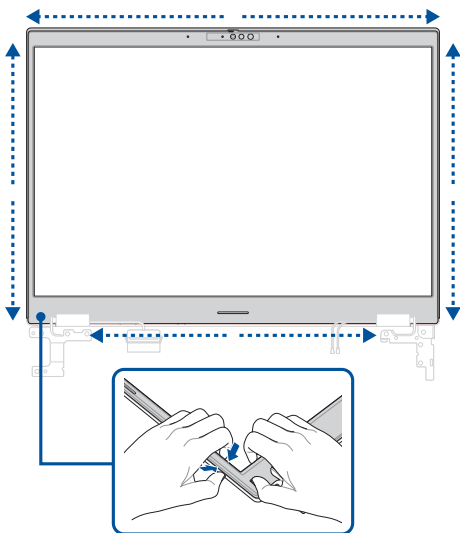
1. Read the **Safety Precautions** and **Pre-repair Checklist**.
2. Remove the following components:
 - Bottom cover
 - Battery
 - Display panel module

Screw list

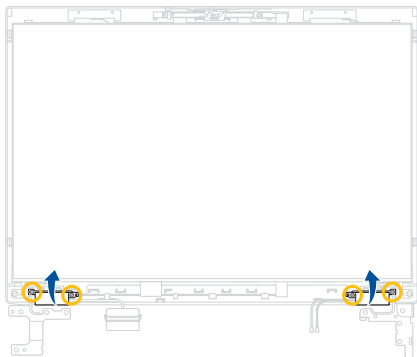
- ⊕ M2.5 X 3.5L (6pcs)
- ⊕ M1.6 X 2.5L (4pcs)

Removal

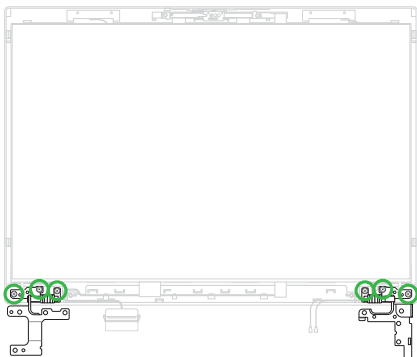
1. Carefully pry the bezel loose, then remove the bezel.



2. Remove the screw(s), then remove the hinge caps.

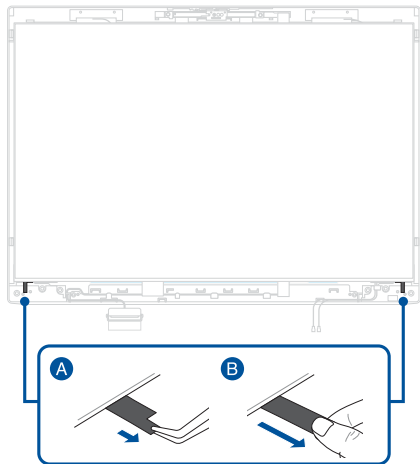


3. Remove the screw(s), then remove the hinges.

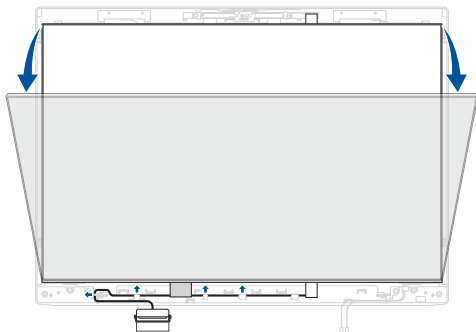


4. Locate the tip of the stretch release tape, then carefully pull out the stretch release tape as shown in the illustration below.

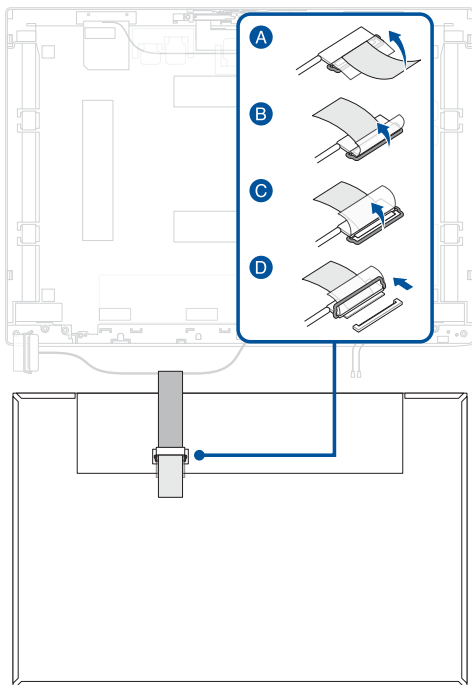
IMPORTANT! Maintain a flat angle and constant speed when pulling the stretch release tape. Excessive force may damage the stretch release tape and prevent removal of the display panel.



5. Remove the cable from the cable guide(s), then lift the display panel.

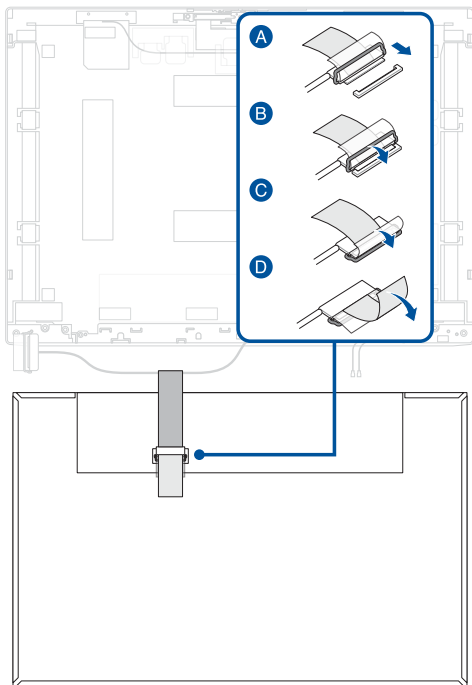


6. Disconnect the cable from the rear side of the display panel.

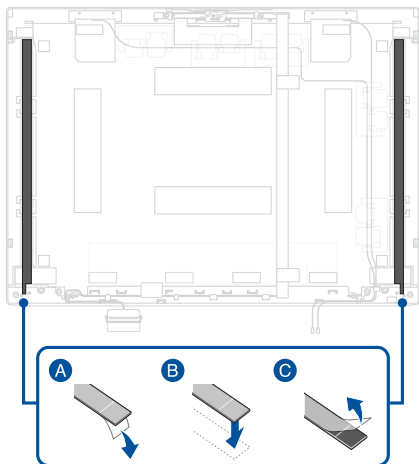


Installation

1. Reconnect the cable to the rear side of the display panel.

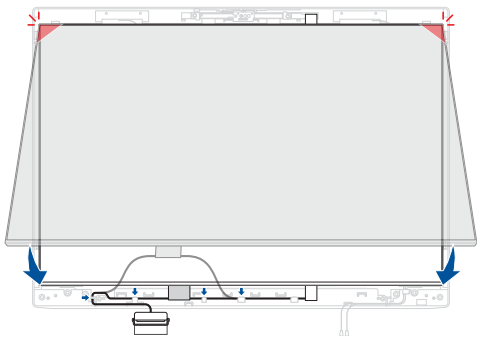


2. Remove the release liner(s) from the bottom side of the stretch release tape.
3. Align and attach the stretch release tape to the top cover.
4. Remove the release liner(s) from the top side of the stretch release tape.

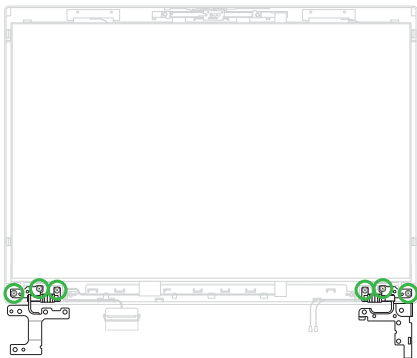


5. Flip the display panel over, then align the display panel with the chassis and gently press down on the display panel until it clicks into place.
6. Route the cable(s) through the cable guide(s).

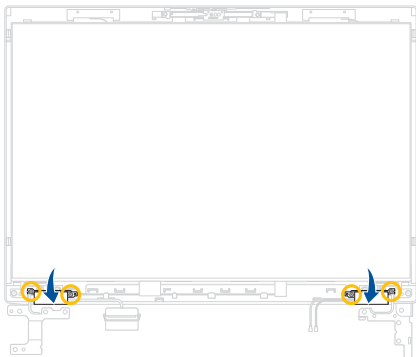
IMPORTANT! Damage may occur if cables are not properly routed through the cable guides. Confirm that all cables are routed through each of the indicated cable guides before proceeding.



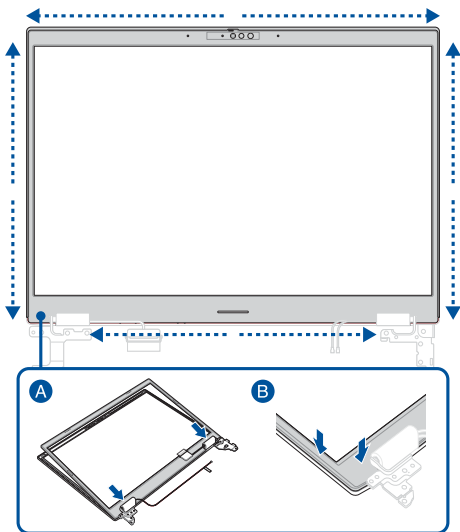
7. Install the hinges, then secure the hinges using the screw(s) you removed earlier.



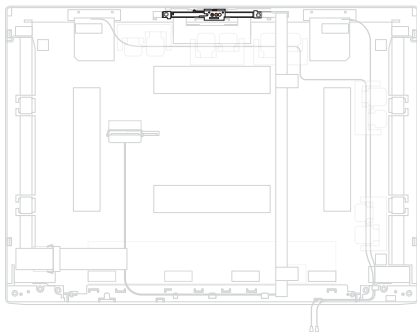
8. Install the hinge caps, then secure the hinge caps using the screw(s) you removed earlier.



9. Align and install the bezel.
10. Install the components you removed in the *Before you begin* section.



Camera module (Non-touch models)



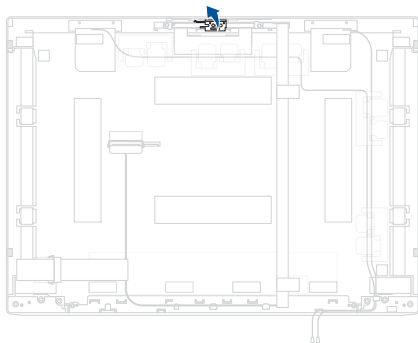
Before you begin

IMPORTANT! This component is fragile. Damage may occur if the service procedure is performed incorrectly. If you are uncertain about proceeding, stop and contact an authorized service center for assistance.

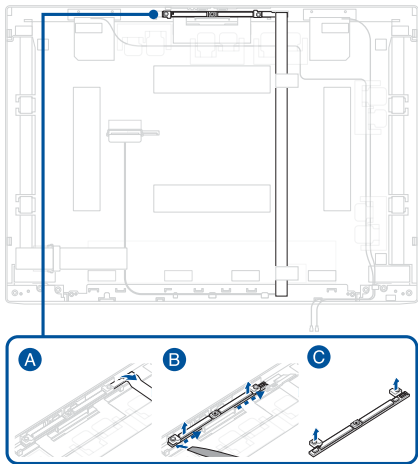
1. Read the **Safety Precautions** and **Pre-repair Checklist**.
2. Remove the following components:
 - Bottom cover
 - Battery
 - Display panel module
 - Display panel

Removal

1. Remove the webcam shield.

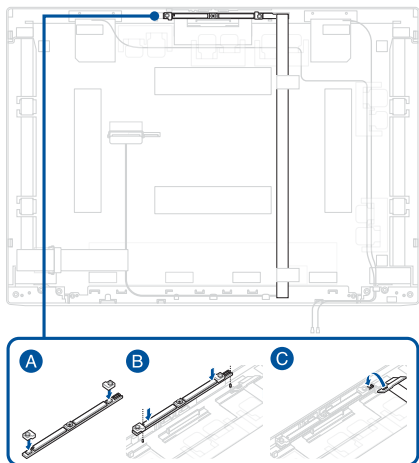


2. Disconnect the cable from the camera module and carefully remove the camera module, then remove the rubber caps from the camera module.

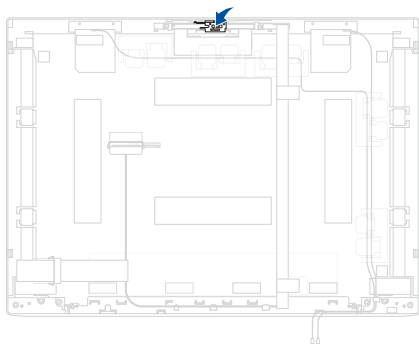


Installation

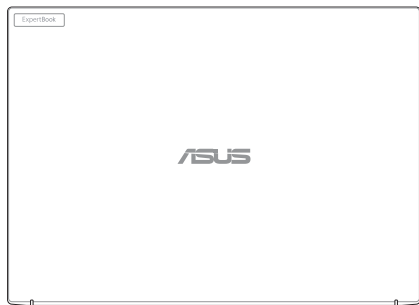
1. Attach the rubber caps to the camera module, then install the camera module and reconnect the cable to the camera module.



2. Install the webcam shield.
3. Install the components you removed in the *Before you begin* section.



Top cover (Non-touch models)

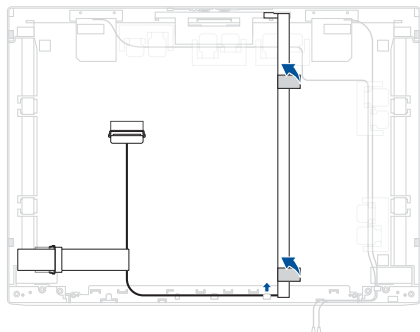


Before you begin

1. Read the **Safety Precautions** and **Pre-repair Checklist**.
2. Remove the following components:
 - Bottom cover
 - Battery
 - Display panel module
 - Display panel
 - Camera module

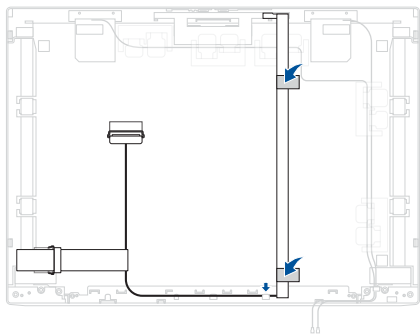
Removal

Remove the tape, then remove the cable.

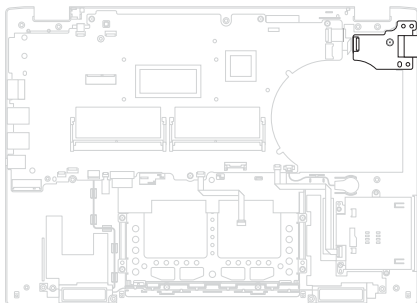


Installation

1. Reattach the cable, then reattach the tape.
2. Install the components you removed in the *Before you begin* section.



I/O board



Before you begin

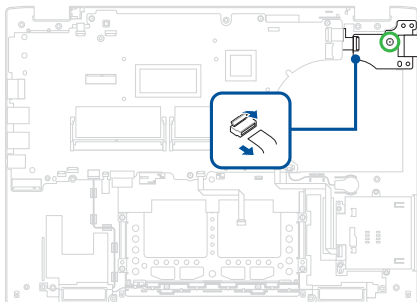
1. Read the **Safety Precautions** and **Pre-repair Checklist**.
2. Remove the following components:
 - Bottom cover
 - Battery
 - Heat sink
 - Fan module
 - Display panel module

Screw list

- ⊕ M2.0 X 2.0L (1pc)

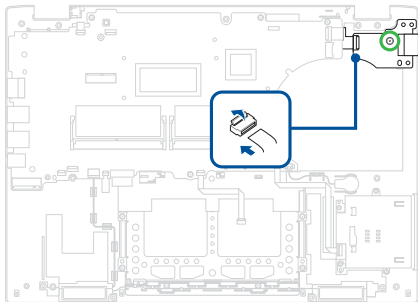
Removal

Remove the screw and disconnect the cable, then remove the I/O board.

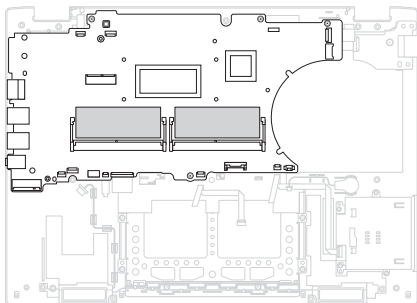


Installation

1. Install the I/O board, then reconnect the cable and secure the I/O board using the screw you removed earlier.
2. Install the components you removed in the *Before you begin* section.



Motherboard



Before you begin

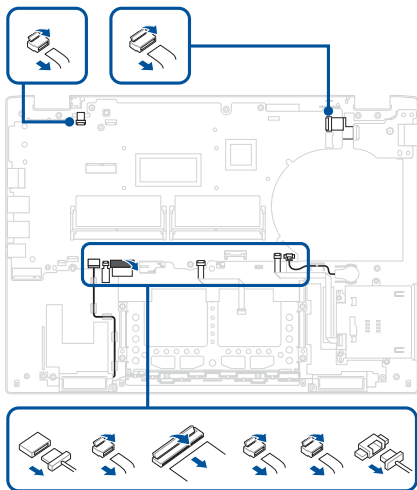
1. Read the **Safety Precautions** and **Pre-repair Checklist**.
2. Remove the following components:
 - Bottom cover
 - Battery
 - M.2 SSD module
 - WLAN module
 - LTE module (on selected models)
 - Heat sink
 - Fan module
 - Display panel module

Screw list

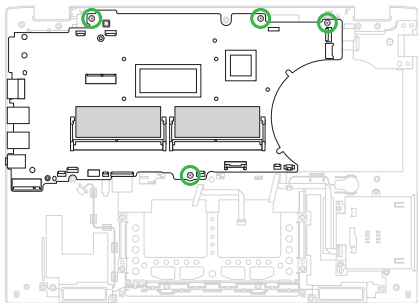
- ⊕ M2.0 X 4.0L (4pcs)

Removal

1. Remove the tape, then disconnect the cable(s) from the motherboard.



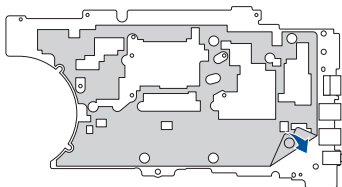
2. Remove the screw(s), then remove the motherboard from the chassis.



Installation

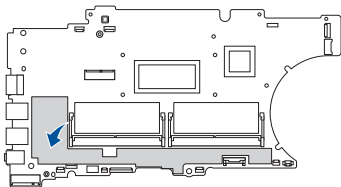
1. Attach the polyester film to the bottom of the motherboard.

NOTE: This step is only required when you are replacing the existing component with a new one.

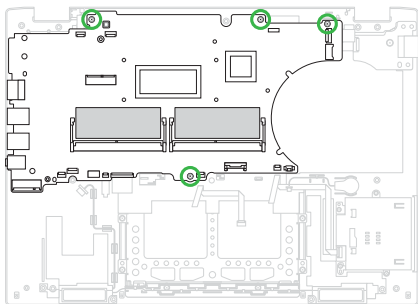


2. Flip the motherboard over, then attach the polyester film to the top of the motherboard.

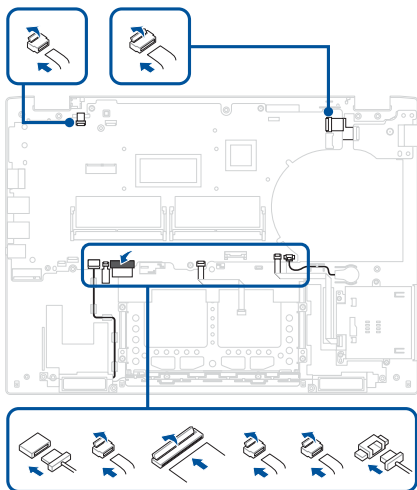
NOTE: This step is only required when you are replacing the existing component with a new one.



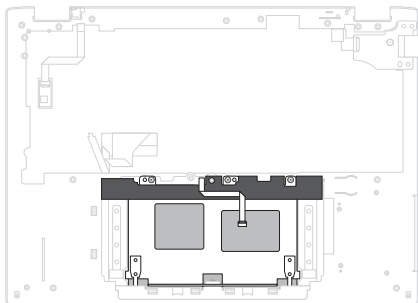
3. Align and install the motherboard, then secure the motherboard using the screw(s) you removed earlier.



4. Reconnect the cable(s) to the motherboard, then reattach the tape.
5. Install the components you removed in the *Before you begin* section.



Touchpad



Before you begin

1. Read the **Safety Precautions** and **Pre-repair Checklist**.
2. Remove the following components:
 - Bottom cover
 - Battery
 - M.2 SSD module
 - WLAN module
 - LTE module (on selected models)
 - Speakers
 - Heat sink
 - Fan module

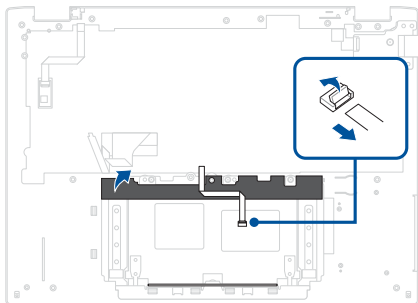
- Smart card reader (on selected models)
- Display panel module
- Motherboard

Screw list

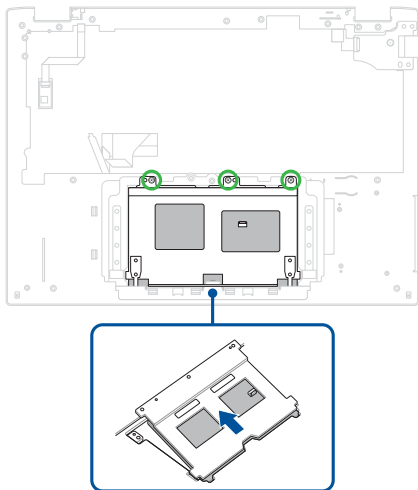
- ⊕ M2.0 X 2.0L (3pcs)

Removal

1. Disconnect the cable, then remove the polyester film.

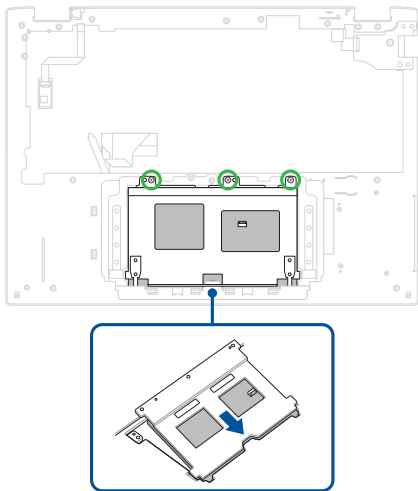


2. Remove the screw(s), then remove the touchpad.

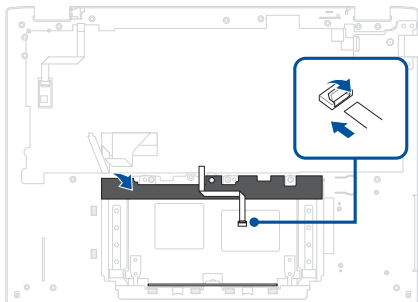


Installation

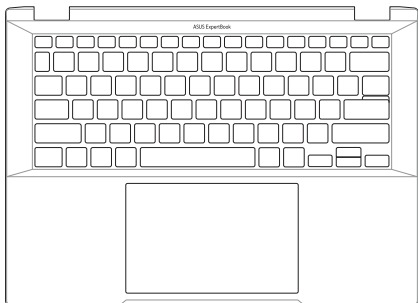
1. Install the touchpad, then secure the touchpad using the screw(s) you removed earlier.



2. Reattach the polyester film, then reconnect the cable.
3. Install the components you removed in the *Before you begin* section.



Keyboard module



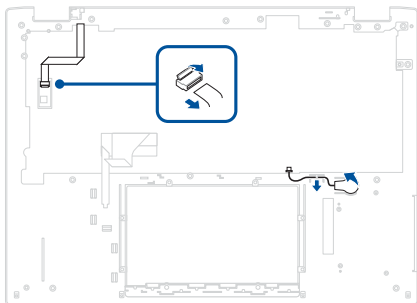
Before you begin

1. Read the **Safety Precautions** and **Pre-repair Checklist**.
2. Remove the following components:
 - Bottom cover
 - Battery
 - M.2 SSD module
 - WLAN module
 - LTE module (on selected models)
 - Speakers
 - Heat sink
 - Fan module

- Smart card reader (on selected models)
- Display panel module
- Motherboard
- Touchpad

Removal

Disconnect the cable, then remove the coin battery.

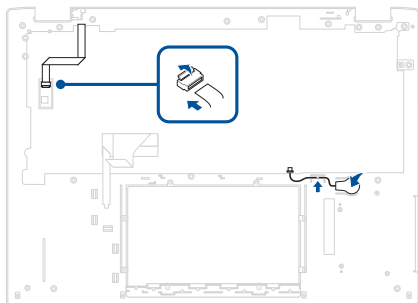


Installation

1. Install the coin battery and reconnect the cable.
2. Route the cable(s) through the cable guide(s).

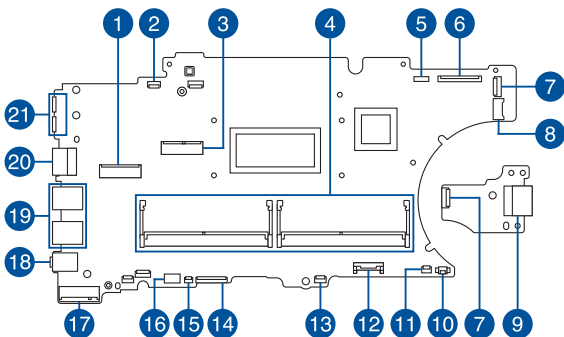
IMPORTANT! Damage may occur if cables are not properly routed through the cable guides. Confirm that all cables are routed through each of the indicated cable guides before proceeding.

3. Install the components you removed in the *Before you begin* section.



Appendix

Wiring and connection diagrams



- | | |
|----------------------------------|-----------------------------------|
| 1. LTE module connector* | 12. Battery connector |
| 2. Fingerprint sensor connector | 13. Touchpad connector |
| 3. WLAN module connector | 14. Keyboard connector |
| 4. RAM module slot | 15. Keyboard backlight connector* |
| 5. Touch panel connector* | 16. Speaker connector |
| 6. eDP connector | 17. M.2 SSD connector |
| 7. I/O board connector | 18. Audio connector |
| 8. Fan connector | 19. USB Type-A connector |
| 9. LAN connector | 20. HDMI connector |
| 10. Coin battery connector | 21. USB Type-C® connector |
| 11. Smart card reader connector* | |

* On selected models