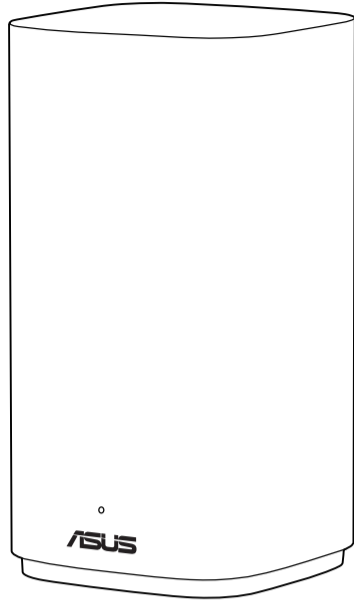


# Quick Start Guide

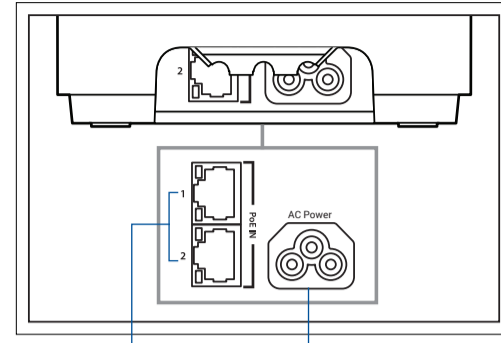
**ASUS ZenWiFi BD4 Outdoor**  
BE3600 Outdoor Dual Band WiFi Router  
Model: BD4 Outdoor



## Hardware Explanations

Power up ZenWiFi BD4 Outdoor by plugging the bundled power cord into the AC Power connector or connecting a PoE IN port to a PoE+ switch or gateway.

### ZenWiFi BD4 Outdoor Overview



2.5GbE ports AC Power connector

- **AC power connector**  
Connect one end of the bundled power cord to this connector and the other end to a wall socket.
- **2.5GbE ports (PoE and WAN/LAN auto-detecting)**  
Connect the 2.5 GbE port to an optical modem, or to a PoE+ switch gateway with a network cable.

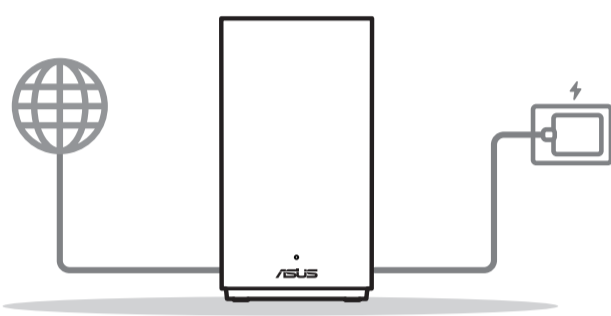
### Specifications:

|                       |                            |         |          |
|-----------------------|----------------------------|---------|----------|
| AC Power Input        | 100V~240Vac, 50/60Hz, 0.8A |         |          |
| Operating Temperature | -30~60°C                   | Storage | -40~70°C |
| Operating Humidity    | 10~90%                     | Storage | 5~90%    |
| PoE IN:               | 42.5~57.0V, 600mA          |         |          |

## Before Setup

### 01 Setting up a standalone router

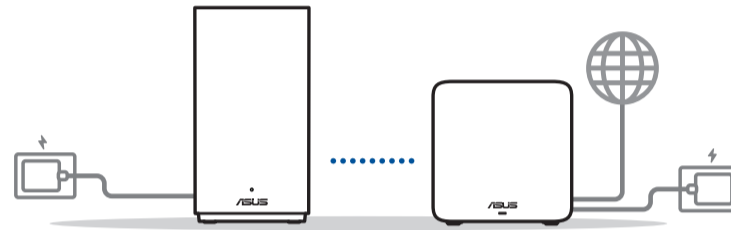
- 1 Go to **ONE ROUTER SETUP STEPS**.



One Router Setup

### 02 Setting up an AiMesh WiFi system

- 1 Prepare two or more ASUS routers supporting AiMesh.
- 2 Assign one as AiMesh router, and another one as AiMesh node.  
\*\* If you have multiple AiMesh routers, we recommend using the router with the highest specifications as your AiMesh router and the others as AiMesh nodes.
- 3 Go to **AiMesh SETUP STEPS**.



AiMesh node AiMesh router  
AiMesh Setup Steps

### 03 Download free ASUS Router APP to set up and manage your router(s)

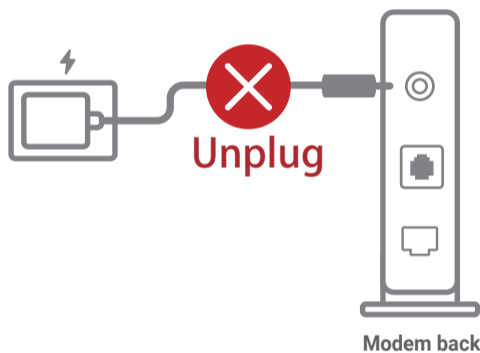
ASUS Router



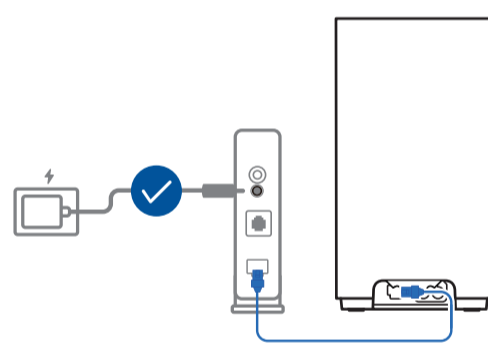
## One Router Setup Steps

### 01 Prepare your Modem

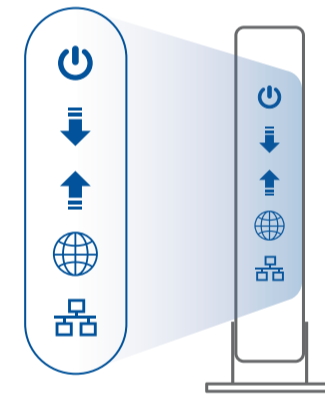
- 1 Unplug the power of cable / DSL modem. If it has a battery backup, remove the battery. 1
- 2 Connect your modem to the router with the network cable provided.
- 3 Power on the modem. Plug modem to the power outlet and power on.
- 4 Check the modem LED lights to ensure the connection is active.



Modem back



Modem back

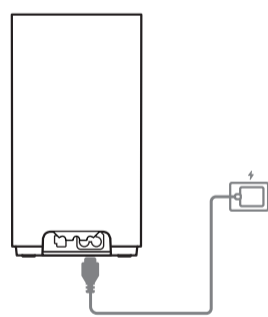


Modem front

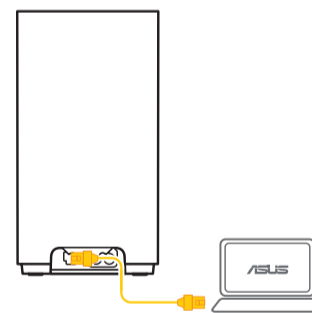
1 If you are using DSL for internet, you will need your username / password from your Internet service provider (ISP) to properly configure your router.

### 02 Connect your Device

- 1 **Power on the router.**
    - Connect one end of the bundled power cord to this connector and the other end to a wall socket.
- or
- Connect a PoE IN port to a PoE+ switch or gateway.

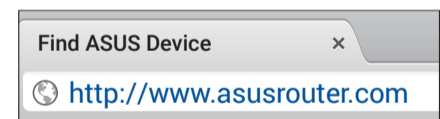


- 2 **[Web]** Connect your PC to the router using an additional network cable.  
or  
**[App]** Use a phone or pad to complete the setup via ASUS Router App.



### 03 Login and Connect

- 1 **[Web]** Open a web browser.  
You will be redirected to the ASUS Setup Wizard. If not, navigate to <http://www.asusrouter.com>.



- 2 **[App]** Launch ASUS Router App and follow the instructions to complete the setup.

## AiMesh Setup Steps

### 01 Prepare

Place your AiMesh router and node in the same room and at least 1 meter apart during the setup process.

### 02 AiMesh node

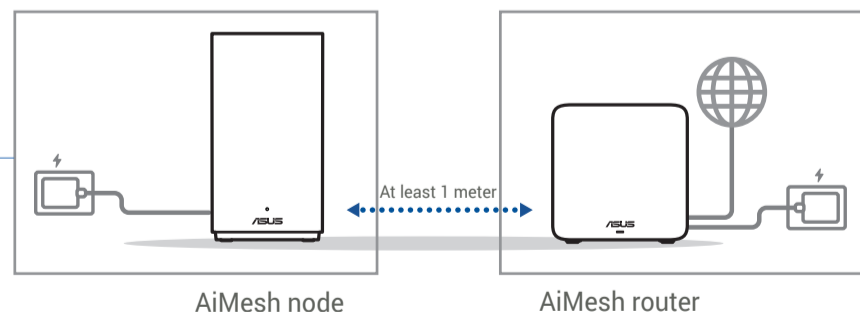
Keep your AiMesh node powered on and standby for AiMesh system settings.

### 03 AiMesh router

**[App]** Log in to your existing router via ASUS Router App. Click "+" on the upper right corner and choose "Add AiMesh Node" to complete the setup.

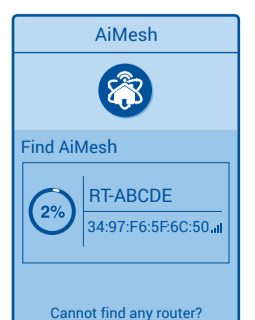
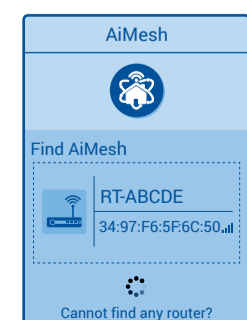
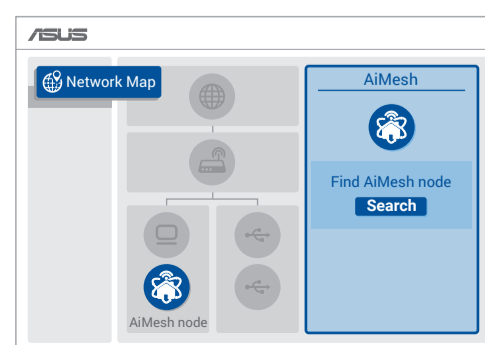
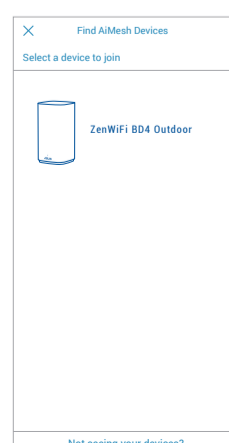
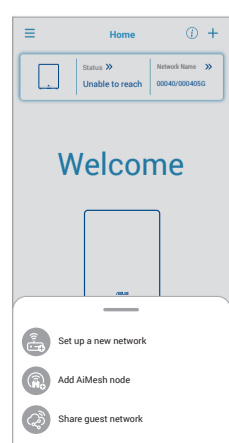
or **[Web]** 1 Go to Network Map page, click AiMesh icon and then **Search** for your extending AiMesh node.

2 When the AiMesh node shows on this page, click it to add it into the AiMesh system.



AiMesh node

AiMesh router



# Troubleshooting

If your AiMesh router cannot find any AiMesh node nearby or synchronization fails, please check the following and try again.

- Move your AiMesh node closer to the AiMesh router ideally. Ensure that it is within 3 meters.
- Your AiMesh node is powered on.

# Relocation THE BEST PERFORMANCE

Locate the AiMesh router and node at the best place.



**NOTES:** To minimize interference, keep the routers away from devices like cordless phones, Bluetooth devices and microwave ovens.

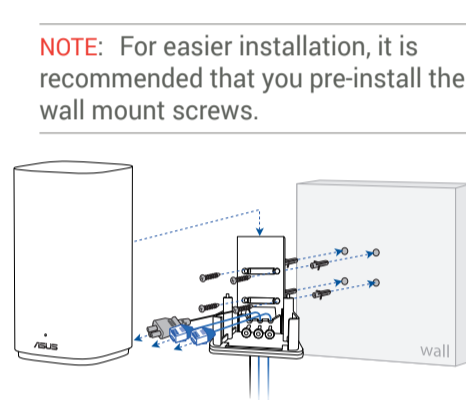
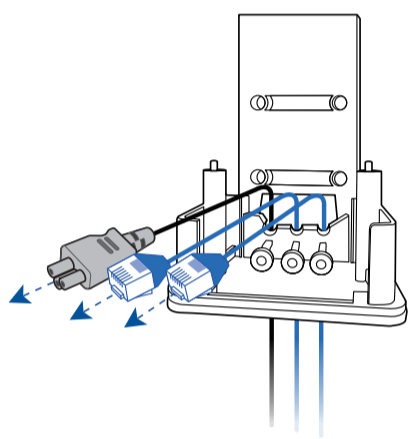
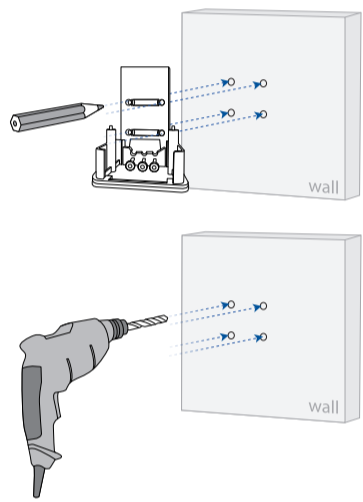
We recommend that you place the routers in an open or spacious location.

# Mounting Options

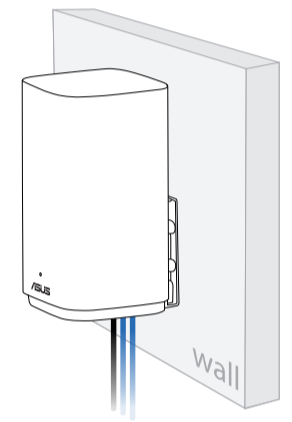
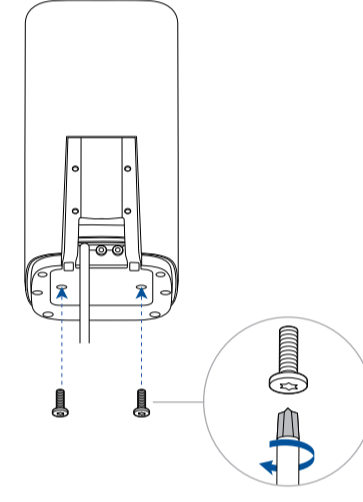
**NOTE:** Ensure that the unused port/connector is sealed with a rubber plug.

## Mounting on a solid wall

- Determine where you want to mount the router. Follow the screw holes on the wall mount to drill four holes in the wall.
- Pass the AC power cord (optional) and the Ethernet cable(s) through the wall mount.
- Secure the wall mount with four screws and connect the power cord and Ethernet cables to ZenWiFi BD4 Outdoor.
- Attach ZenWiFi BD4 Outdoor to the wall mount and install the bottom cover.
- Finish!

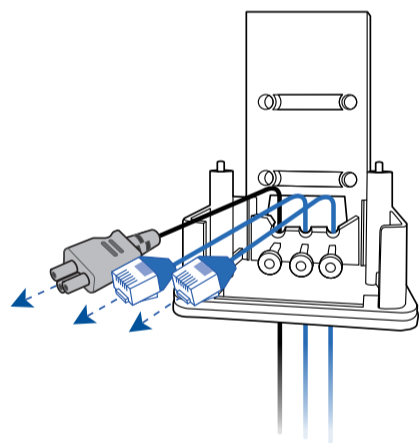


**NOTE:** For easier installation, it is recommended that you pre-install the wall mount screws.

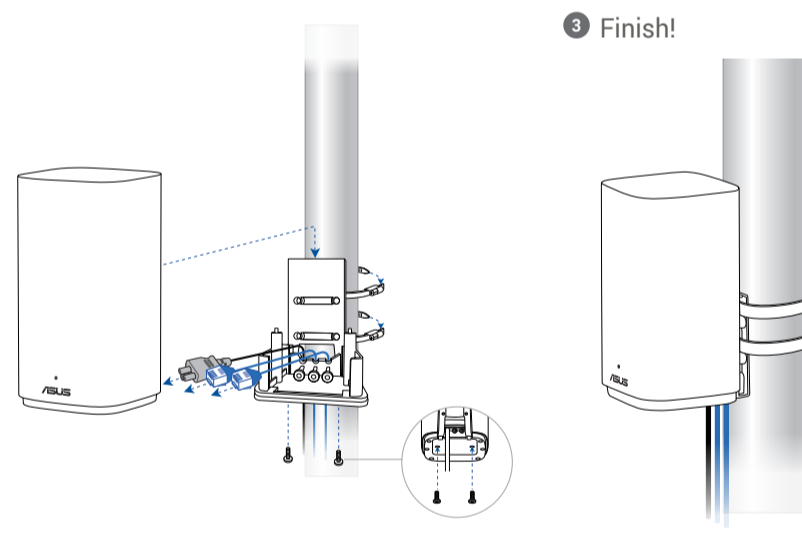


## Mounting to a pole

- Pass the AC power cord (optional) and the Ethernet cable(s) through the wall mount.
- 1) Connect the power cord and Ethernet cables to ZenWiFi BD4 Outdoor;  
2) Attach ZenWiFi BD4 Outdoor to the wall mount and install the bottom cover;  
3) Thread the cable ties through the mounting slots on the wall mount and tightly affix the assembled wall mount to the pole.



**NOTE:** For easier installation, it is recommended that you pre-install the wall mount screws.



**NOTE:** Protection against lightning and electrostatic discharge can be achieved by proper grounding, cable shielding and product setup. Please follow the instructions above and consult an IT professional for assistance with the setup.

## ASUS Recycling/Takeback Services

ASUS recycling and takeback programs come from our commitment to the highest standards for protecting our environment. We believe in providing solutions for you to be able to responsibly recycle our products, batteries, other components, as well as the packaging materials. Please go to <https://esg.asus.com/en/Takeback.htm> for the detailed recycling information in different regions.

## REACH

Complying with the REACH (Registration, Evaluation, Authorisation, and Restriction of Chemicals) regulatory framework, we published the chemical substances in our products at [ASUS REACH website at https://esg.asus.com/Compliance.htm](https://esg.asus.com/Compliance.htm)

## Federal Communications Commission Interference Statement

This equipment has been tested and found to comply with the limits for a Class B digital device, pursuant to Part 15 of the FCC Rules. These limits are designed to provide reasonable protection against harmful interference in a residential installation. This equipment generates, uses and can radiate radio frequency energy and, if not installed and used in accordance with the instructions, may cause harmful interference to radio communications. However, there is no guarantee that interference will not occur in a particular installation. If this equipment does cause harmful interference to radio or television reception, which can be determined by turning the equipment off and on, the user is encouraged to try to correct the interference by one of the following measures:

- Reorient or relocate the receiving antenna.
- Increase the separation between the equipment and receiver.
- Connect the equipment into an outlet on a circuit different from that to which the receiver is connected.
- Consult the dealer or an experienced radio/TV technician for help.

**FCC Caution:** Any changes or modifications not expressly approved by the party responsible for compliance could void the user's authority to operate this equipment.

This device complies with Part 15 of the FCC Rules. Operation is subject to the following two conditions: (1) This device may not cause harmful interference, and (2) this device must accept any interference received, including interference that may cause undesired operation.

## IMPORTANT NOTE:

**FCC Radiation Exposure Statement:** This equipment complies with FCC radiation exposure limits set forth for an uncontrolled environment. This equipment should be installed and operated with minimum distance 45cm between the radiator & your body.

## IC

This device contains licence-exempt transmitter(s)/receiver(s) that comply with Innovation, Science and Economic Development Canada's licence-exempt RSS(s). Operation is subject to the following two conditions:

- This device may not cause interference.
- This device must accept any interference, including interference that may cause undesired operation of the device.

Cet appareil contient des émetteurs / récepteurs exempts de licence qui sont conformes au (x) RSS (s) exempts de licence d'Innovation, Sciences et Développement économique Canada. L'opération est soumise aux deux conditions suivantes:

- Cet appareil ne doit pas provoquer d'interférences.
- Cet appareil doit accepter toute interférence, y compris les interférences susceptibles de provoquer un fonctionnement indésirable de l'appareil.

## IMPORTANT NOTE:

### IC Radiation Exposure Statement:

This equipment complies with IC RSS-102 radiation exposure limits set forth for an uncontrolled environment. This equipment should be installed and operated with minimum distance 45cm between the radiator & your body.

Cet équipement est conforme aux limites d'exposition aux rayonnements IC établies pour un environnement non contrôlé. Cet équipement doit être installé et utilisé avec un minimum de 45 cm de distance entre la source de rayonnement et votre corps.

# LED Indications

- Solid blue: Your ZenWiFi BD4 Outdoor is ready for setup.
- Solid white: Your ZenWiFi BD4 Outdoor is online and works well.
- Solid red: Your ZenWiFi BD4 Outdoor router has no Internet connection.

# Support Site

Technical support site: <https://www.asus.com/support>

## Service and Support



<https://www.asus.com/support>

## Video Tutorials



[https://qr.asus.com/wl\\_videotutorials](https://qr.asus.com/wl_videotutorials)

## Safety Notices

- Use this product in environments with ambient temperatures between 0°C (32°F) and 60°C (140°F).
- Refer to the rating label on the bottom of your product and ensure your power adapter complies with this rating.
- DO NOT place on uneven or unstable work surfaces. Seek servicing if the casing has been damaged.
- DO NOT place or drop objects on top and do not shove any foreign objects into the product.
- DO NOT use the modem during electrical storms.
- DO NOT cover the vents on the product to prevent the system from getting overheated.
- DO NOT use damaged power cords, accessories, or other peripherals.
- If the Adapter is broken, do not try to fix it by yourself. Contact a qualified service technician or your retailer.
- To prevent electrical shock hazard, disconnect the power cable from the electrical outlet before relocating the system.

## Consignes de sécurité

- Utilisez ce produit dans un environnement dont la température ambiante est comprise entre 0°C (32°F) et 60°C (140°F).
- Référez-vous à l'étiquette située au dessous du produit pour vérifier que l'adaptateur secteur répond aux exigences de tension.
- NE PAS placer sur une surface irrégulière ou instable. Contactez le service après-vente si le châssis a été endommagé.
- NE PAS placer, faire tomber ou insérer d'objets sur/dans le produit.
- NE PAS utiliser le modem lors d'un orage.
- NE PAS bloquer les ouvertures destinées à la ventilation du système pour éviter que celui-ci ne surchauffe.
- NE PAS utiliser de cordons d'alimentation, d'accessoires ou autres périphériques endommagés.
- Si l'adaptateur est endommagé, n'essayez pas de le réparer vous-même. Contactez un technicien électrique qualifié ou votre revendeur.
- Pour éviter tout risque de choc électrique, débranchez le câble d'alimentation de la prise électrique avant de toucher au système.

## Información de seguridad

- Use este producto en entornos sometidos a una temperatura ambiente comprendida entre 0 °C (32 °F) y 60°C (140°F).
- Consulte la etiqueta de valores nominales situada en la parte inferior del producto y asegúrese de que su adaptador de alimentación cumple con dichos valores.
- NO coloque el equipo sobre una superficie irregular o inestable. Solicite asistencia técnica si la carcasa resulta dañada.
- NO coloque ni deje caer objetos en la parte superior del producto y no introduzca objetos extraños dentro de él.
- NO use el módem durante tormentas eléctricas.
- Para evitar que el sistema se sobrecaliente, no cubra las ranuras de ventilación del producto.
- NO cubra los orificios de ventilación del equipo de sobremesa para evitar que el sistema se caliente en exceso.
- No intente reparar la fuente de alimentación personalmente si se avería. Póngase en contacto con un técnico de mantenimiento autorizado o con su distribuidor.
- A fin de evitar posibles descargas eléctricas, desconecte el cable de alimentación de la toma de suministro eléctrico antes de cambiar la posición del sistema.

## Informações de segurança

- Utilize este equipamento em ambientes com temperaturas entre 0°C (32°F) e 60°C (140°F).
- Verifique a etiqueta relativa à tensão na parte inferior do seu dispositivo e assegure-se de que o seu transformador corresponde a essa tensão.
- NÃO coloque o computador em superfícies irregulares ou instáveis. Envie para reparação se a caixa se encontrar danificada.
- NÃO coloque nem deixe cair objetos em cima do aparelho e não introduza quaisquer objetos estranhos no produto.
- NÃO utilize o modem durante tempestades elétricas.
- NÃO tape os orifícios de ventilação do produto para impedir o sobreaquecimento do sistema.
- NÃO cubra os orifícios de ventilação do equipamento de sobremesa para evitar que o sistema se aqueça em excesso.
- NÃO utilize cabos de alimentação, acessórios ou outros periféricos danificados.
- Se a fonte de alimentação estiver avariada, não tente repará-la por si próprio. Contacte um técnico qualificado ou o seu revendedor.
- Para evitar o risco de choque eléctrico, desligue o cabo de alimentação da tomada eléctrica antes de deslocar o sistema.