

E25069

First Edition / March 2025

IN SEARCH OF INCREDIBLE



Service Manual

ASUS

COPYRIGHT INFORMATION

No part of this manual, including the products and software described in it, may be reproduced, transmitted, transcribed, stored in a retrieval system, or translated into any language in any form or by any means, except documentation kept by the purchaser for backup purposes, without the express written permission of ASUSTeK COMPUTER INC. ("ASUS").

ASUS PROVIDES THIS MANUAL "AS IS" WITHOUT WARRANTY OF ANY KIND, EITHER EXPRESS OR IMPLIED, INCLUDING BUT NOT LIMITED TO THE IMPLIED WARRANTIES OR CONDITIONS OF MERCHANTABILITY OR FITNESS FOR A PARTICULAR PURPOSE. IN NO EVENT SHALL ASUS, ITS DIRECTORS, OFFICERS, EMPLOYEES OR AGENTS BE LIABLE FOR ANY INDIRECT, SPECIAL, INCIDENTAL, OR CONSEQUENTIAL DAMAGES (INCLUDING DAMAGES FOR LOSS OF PROFITS, LOSS OF BUSINESS, LOSS OF USE OR DATA, INTERRUPTION OF BUSINESS AND THE LIKE), EVEN IF ASUS HAS BEEN ADVISED OF THE POSSIBILITY OF SUCH DAMAGES ARISING FROM ANY DEFECT OR ERROR IN THIS MANUAL OR PRODUCT.

Products and corporate names appearing in this manual may or may not be registered trademarks or copyrights of their respective companies, and are used only for identification or explanation and to the owners' benefit, without intent to infringe.

SPECIFICATIONS AND INFORMATION CONTAINED IN THIS MANUAL ARE FURNISHED FOR INFORMATIONAL USE ONLY, AND ARE SUBJECT TO CHANGE AT ANY TIME WITHOUT NOTICE, AND SHOULD NOT BE CONSTRUED AS A COMMITMENT BY ASUS. ASUS ASSUMES NO RESPONSIBILITY OR LIABILITY FOR ANY ERRORS OR INACCURACIES THAT MAY APPEAR IN THIS MANUAL, INCLUDING THE PRODUCTS AND SOFTWARE DESCRIBED IN IT.

Copyright © 2025 ASUSTeK COMPUTER INC. All Rights Reserved.

LIMITATION OF LIABILITY

Circumstances may arise where because of a default on ASUS' part or other liability, you are entitled to recover damages from ASUS. In each such instance, regardless of the basis on which you are entitled to claim damages from ASUS, ASUS is liable for no more than damages for bodily injury (including death) and damage to real property and tangible personal property; or any other actual and direct damages resulted from omission or failure of performing legal duties under this Warranty Statement, up to the listed contract price of each product.

ASUS will only be responsible for or indemnify you for loss, damages or claims based in contract, tort or infringement under this Warranty Statement.

This limit also applies to ASUS' suppliers and its reseller. It is the maximum for which ASUS, its suppliers, and your reseller are collectively responsible.

UNDER NO CIRCUMSTANCES IS ASUS LIABLE FOR ANY OF THE FOLLOWING: (1) THIRD-PARTY CLAIMS AGAINST YOU FOR DAMAGES; (2) LOSS OF, OR DAMAGE TO, YOUR RECORDS OR DATA; OR (3) SPECIAL, INCIDENTAL, OR INDIRECT DAMAGES OR FOR ANY ECONOMIC CONSEQUENTIAL DAMAGES (INCLUDING LOST PROFITS OR SAVINGS), EVEN IF ASUS, ITS SUPPLIERS OR YOUR RESELLER IS INFORMED OF THEIR POSSIBILITY.

SERVICE AND SUPPORT

Visit our multi-language website at <https://www.asus.com/support/>.

Table of Contents

Chapter 1: Introduction

Disclaimer	8
Safety precautions.....	8
Pre-repair checklist.....	10
Repair tools.....	11
Accessories	11
Diagnostic tools.....	11
Major components	12

Chapter 2: Service Procedures

Bottom cover	16
Removal.....	17
Installation.....	20
Battery	22
Removal.....	23
Installation.....	29
M.2 SSD module	36
Removal.....	37
Installation.....	39
WLAN module.....	41
Removal.....	42
Installation.....	44
RAM module	46
Removal.....	47
Installation.....	49
Fan module	51
Removal.....	52
Installation.....	54

Heat sink	57
Removal	58
Installation	59
I/O board	60
Removal	61
Installation	63
Speakers	65
Removal	66
Installation	67
Motherboard	69
Removal	70
Installation	75
Touchpad	80
Removal	81
Installation	83
Display panel module	85
Removal	86
Installation	91
Display bezel	96
Removal	97
Installation	99
Display panel	102
Removal	103
Installation	106
Camera module	110
Removal	111
Installation	112

Top cover.....	113
Removal.....	114
Installation.....	116
Keyboard module.....	119
Removal.....	120
Installation.....	122

Appendix

Wiring and connection diagrams.....	128
-------------------------------------	-----

Chapter 1: ***Introduction***

Disclaimer

ASUS is not responsible for direct, indirect, intentional or unintentional damages resulting from improper installation and operation.

Safety precautions

- Before handling components, use a grounded wrist strap or touch a safely grounded object to avoid damaging them due to static electricity.
- Keep liquids or moisture away from your device to avoid short circuits.
- Remove rings, watches, and any other metal objects from your hands.
- Hold components by the edges to avoid touching the ICs.
- Properly install all components before connecting the AC power.
- Do not use power adapters or batteries from other devices to reduce the risk of injury to persons due to fire or explosion. Use only certified power adapters or batteries supplied by the manufacturer or authorized retailers.
- Detach all clips or flaps before removing cables to prevent damage.

- Disconnect cables, connectors, and power plugs by pulling the plug evenly to avoid damage.
- Use the correct screw models on your device to prevent damage.
- Confirm that the cable orientation is correct before connecting any cables.
- Fully remove all adhesive residue after removing and before installing any components.
- Photograph the appearance of cables, cable routing, connectors, and screws for later reference before proceeding with each step.

Pre-repair checklist

- Read the entire manual before starting any service procedures and follow all instructions.
 - Back up the data on your device.
 - Place your device on a clean and stable surface.
 - Turn off your device.
 - Disconnect all connected peripherals and cables.
 - Disconnect all power cables and remove the battery pack (if applicable).
-

IMPORTANT!

- If you are uncertain about performing the described service procedures, stop and contact an authorized service center for assistance.
 - Purchase replacement components from authorized retailers of this device to ensure maximum compatibility and reliability.
-

NOTE:

- The illustrations are for reference only.
 - The service procedures described in this manual depend on the model configuration and may not reflect the entire servicing process. To service components that are not covered in this manual, please visit an authorized service center for further assistance.
 - Keep all adhesive tape, insulating materials, screws, and other removable items in a safe place until the service procedure is completed, as they may be needed during installation.
-

Repair tools



Screwdriver



Plastic blade



Tweezers

Accessories



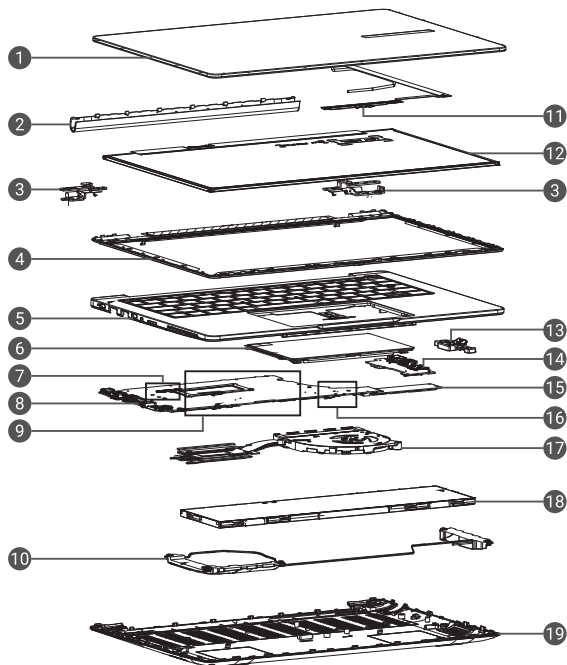
Power adapter

Diagnostic tools

Use ASUS System Diagnostics after completing any service procedures to ensure that all components are working properly.

For more information, visit www.asus.com/support/FAQ/1048490/.

Major components

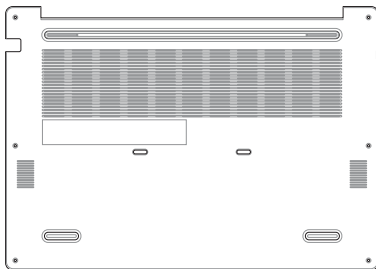


1. Top cover
2. Hinge cap
3. Hinges
4. Display bezel
5. Keyboard module
6. Touchpad
7. M.2 2230 SSD module*
8. Motherboard
9. RAM module
10. Speakers
11. Camera module
12. Display panel
13. LAN port bracket
14. I/O board
15. M.2 2280 SSD module
16. WLAN module
17. Heat sink and fan
18. Battery
19. Bottom cover

** On selected models*

Chapter 2: ***Service Procedures***

Bottom cover



Before you begin

Read the **Safety Precautions** and complete the **Pre-repair Checklist**.

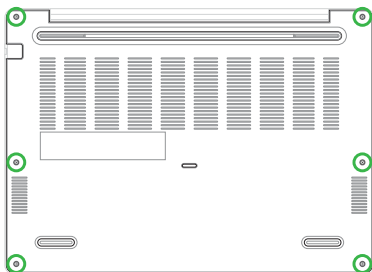
Screw list

- ⊕ M2.0 X 4.5L (6pcs)

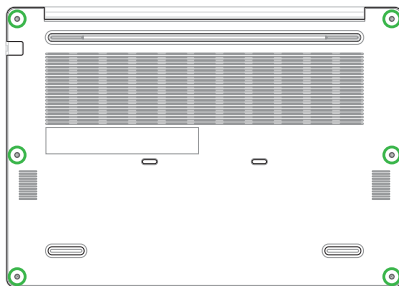
Removal

1. Remove the screw(s) from the bottom cover.

14" models



16" models

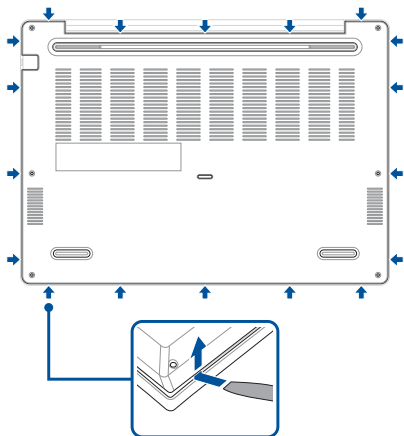


2. Use the plastic blade to pry open the indicated area of the bottom cover as shown in the illustration below.

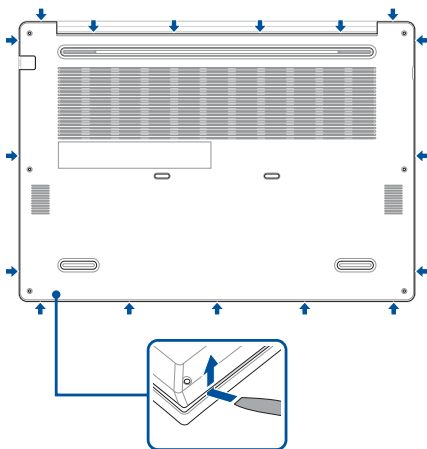
IMPORTANT!

- Avoid sliding the plastic blade along the side of your device or air vents to prevent damage.
 - System power will be cut off automatically upon removal of the bottom cover. To restore power, reattach the bottom cover securely and connect the AC power adapter to your Notebook PC after the servicing is complete.
-

14" models



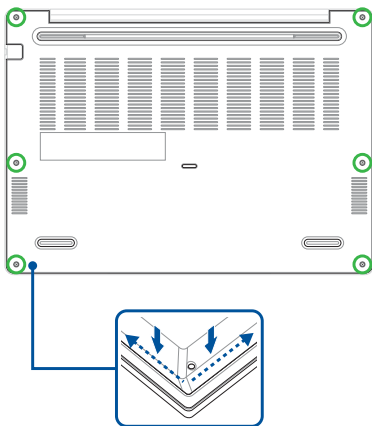
16" models



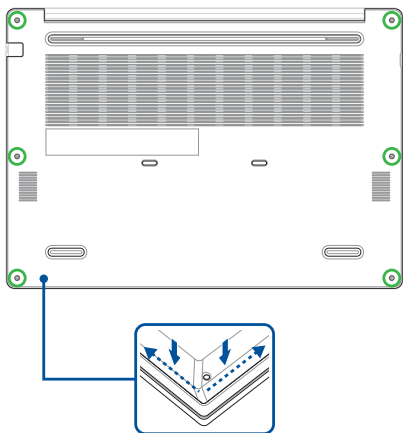
Installation

1. Install the bottom cover.
2. Gently press down on the bottom cover until it clicks into place.
3. Secure the bottom cover using the screw(s) you removed earlier.

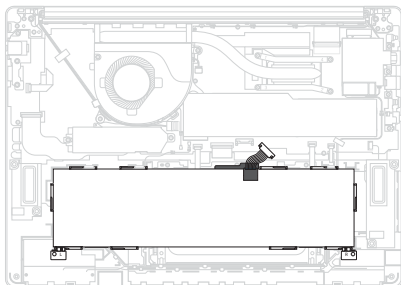
14" models



16" models



Battery



Before you begin

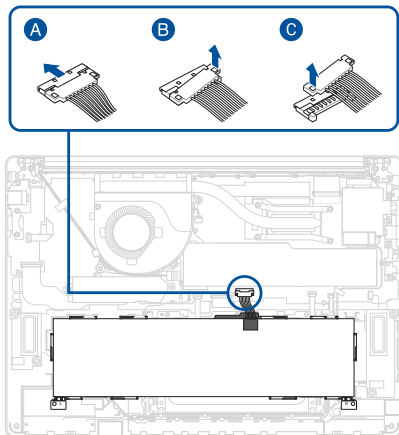
IMPORTANT! Serious risk of fire or explosion may occur if the battery is punctured. If you are uncertain about proceeding, stop and contact an authorized service center for assistance.

1. Read the **Safety Precautions** and **Pre-repair Checklist**.
2. Remove the bottom cover.

Removal

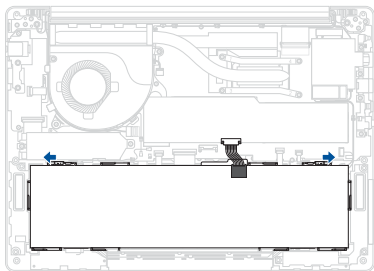
1. Disconnect the battery power cable.

IMPORTANT! Disconnect the battery power cable by lifting the side with the red wires first.

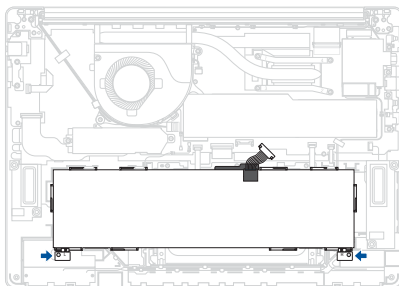


2. Push the latches into the unlocked position.

14" models

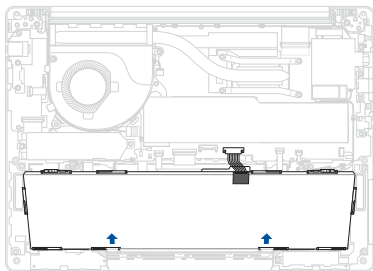


16" models

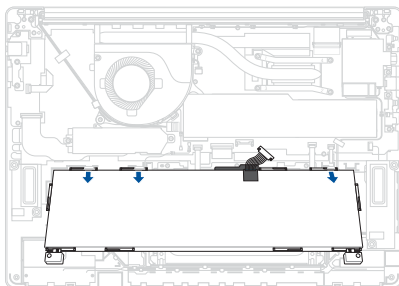


3. Remove the battery.

14" models



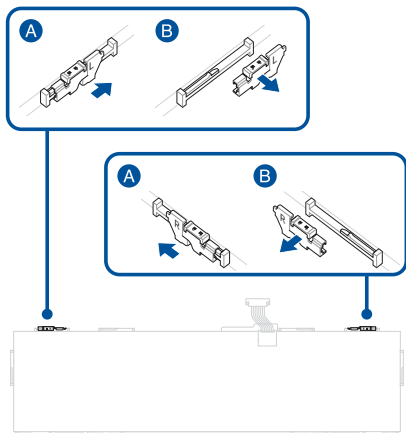
16" models



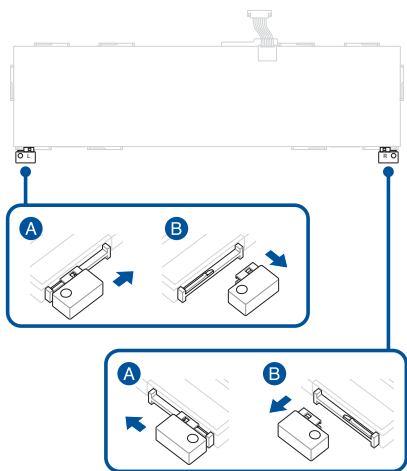
4. Remove the latches.

NOTE: The following steps are only required when you are replacing the existing component with a new one.

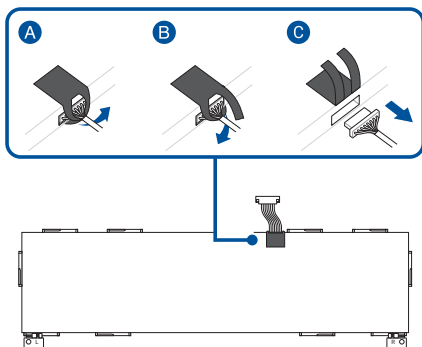
14" models



16" models

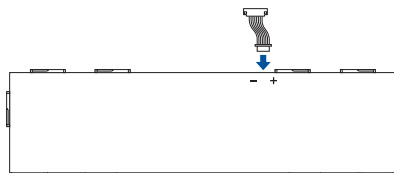


5. Remove the tape, then disconnect the cable.

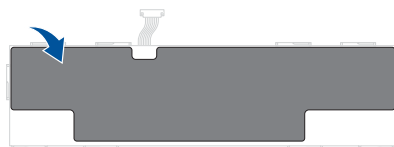


Installation

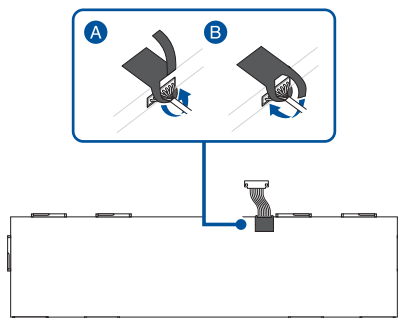
1. Reconnect the cable.



2. Flip the battery over, then attach the polyester film to the rear side of the battery.

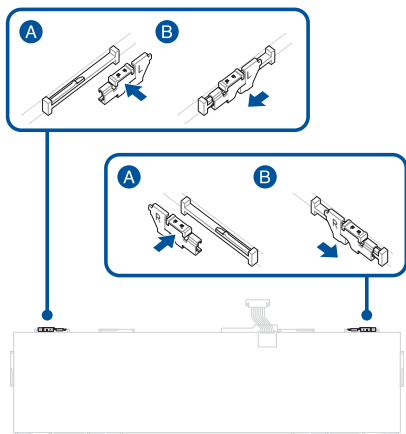


3. Flip the battery over, then attach the tape to the front side of the battery

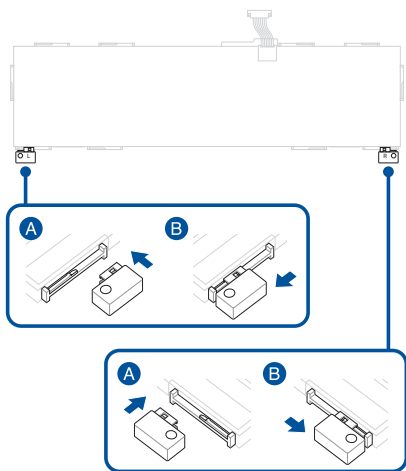


4. Install the latches.

14" models

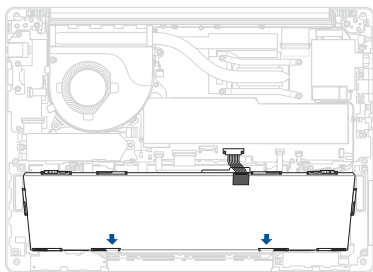


16" models

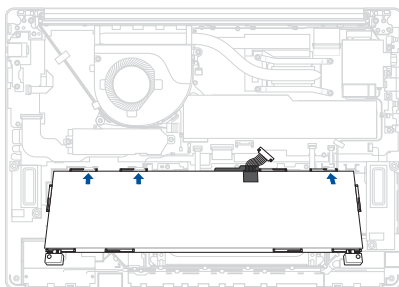


5. Install the battery.

14" models

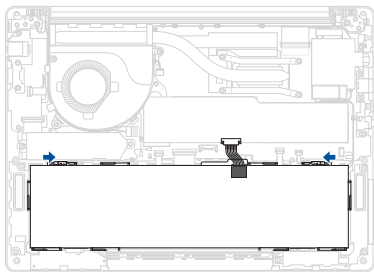


16" models

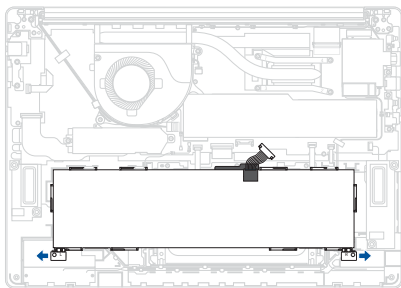


6. Push the latches into the locked position.

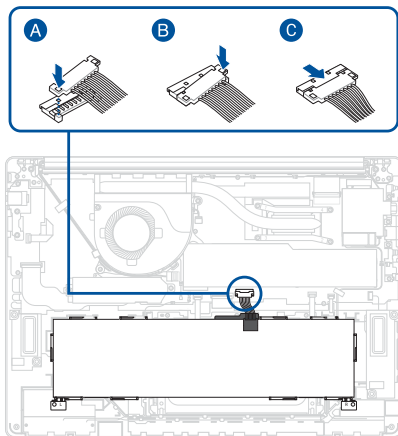
14" models



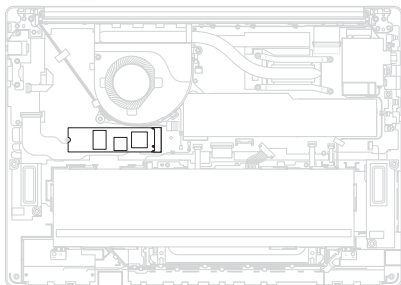
16" models



7. Reconnect the battery power cable.
8. Install the components you removed in the *Before you begin* section.



M.2 SSD module



Before you begin

1. Read the **Safety Precautions** and **Pre-repair Checklist**.
2. Remove the bottom cover and disconnect the battery power cable.

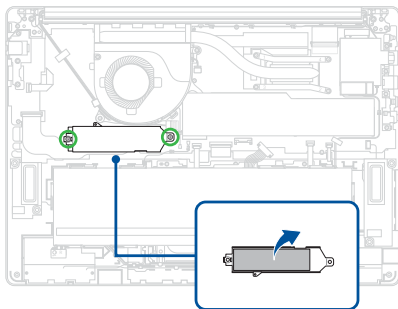
Screw list

- ⊕ M2.0 X 2.5L (2-3pcs)

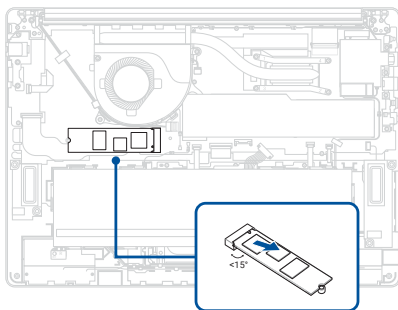
Removal

M.2 2280 SSD module

1. Remove the screw(s), then remove the M.2 SSD shield.
2. Remove the thermal pad from the M.2 SSD shield.

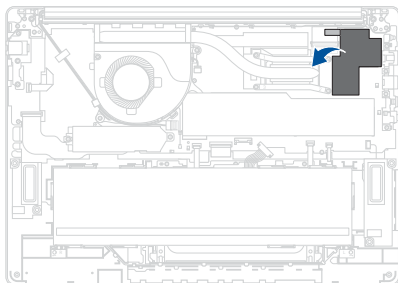


3. Remove the M.2 SSD module from the motherboard.

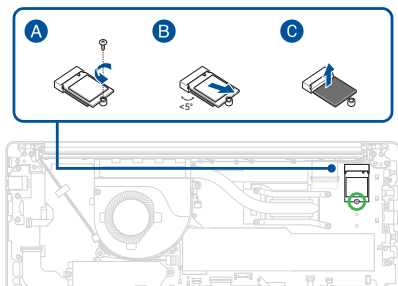


M.2 2230 SSD module (on selected models)

1. Remove the absorber sheet.



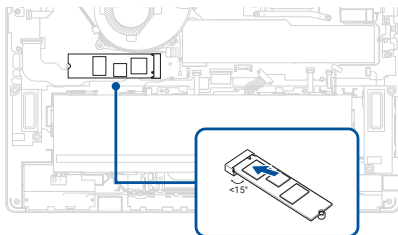
2. Remove the screw.
3. Remove the M.2 SSD module.
4. Remove the thermal pad from the motherboard.



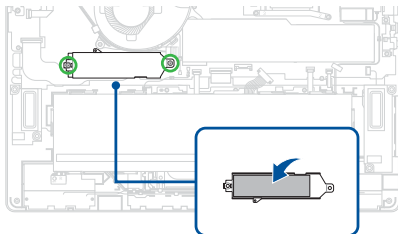
Installation

M.2 2280 SSD module

1. Align and insert the M.2 SSD module into the M.2 connector on the motherboard.

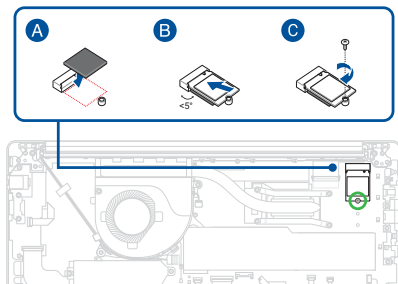


2. Attach the thermal pad to the M.2 SSD shield.
3. Install the M.2 SSD shield, then secure the M.2 SSD shield using the screw(s) you removed earlier.
4. Install the components you removed in the *Before you begin* section.

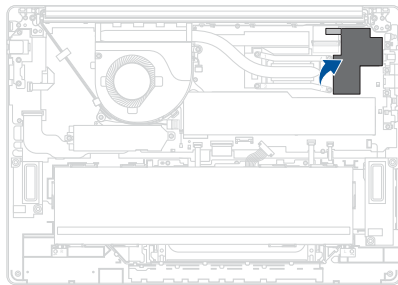


M.2 2230 SSD module (on selected models)

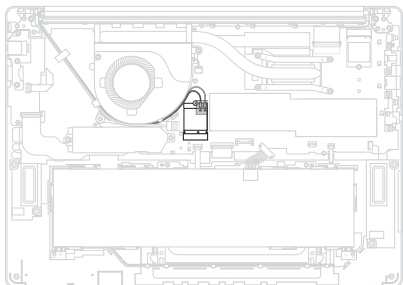
1. Attach the thermal pad to the motherboard.
2. Install the M.2 SSD module, then secure the M.2 SSD module using the screw you removed earlier.



3. Attach the absorber sheet.
4. Install the components you removed in the *Before you begin* section.



WLAN module



Before you begin

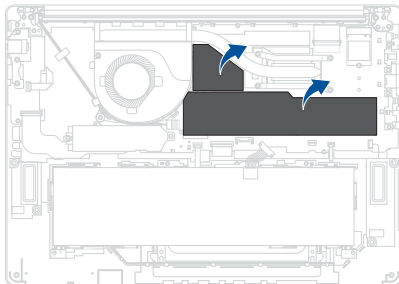
1. Read the **Safety Precautions** and **Pre-repair Checklist**.
2. Remove the bottom cover and disconnect the battery power cable.

Screw list

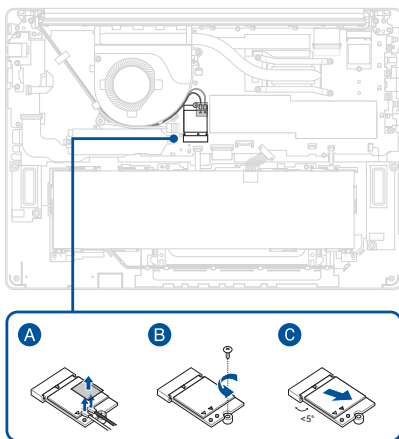
- ⊕ M2.0 X 2.5L (1pc)

Removal

1. Remove the polyester film.

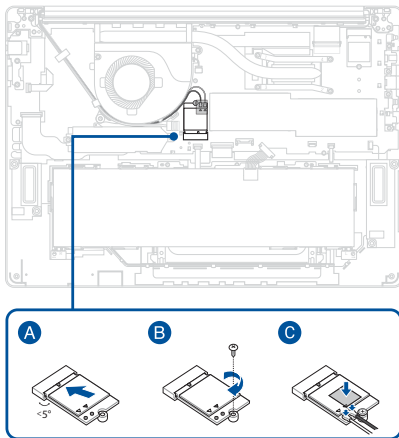


2. Remove the polyester film, then disconnect the cable(s).
3. Remove the screw.
4. Remove the WLAN module.

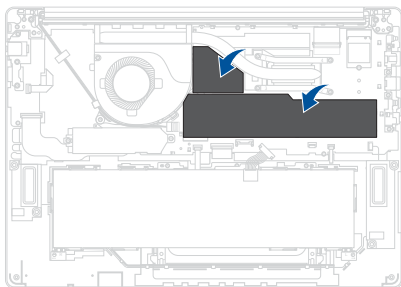


Installation

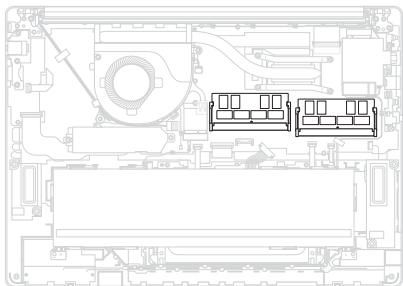
1. Install the WLAN module.
2. Secure the WLAN module using the screw you removed earlier.
3. Reconnect the cable(s), then attach the polyester film.



4. Attach the polyester film.
5. Install the components you removed in the *Before you begin* section.



RAM module

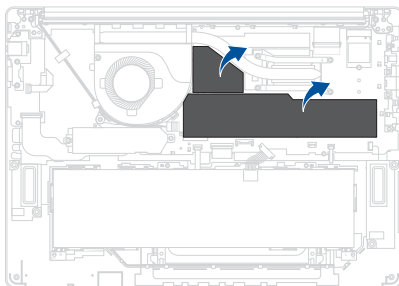


Before you begin

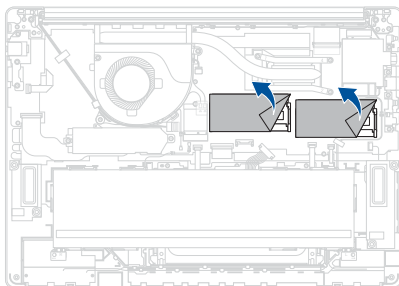
1. Read the **Safety Precautions** and **Pre-repair Checklist**.
2. Remove the bottom cover and disconnect the battery power cable.

Removal

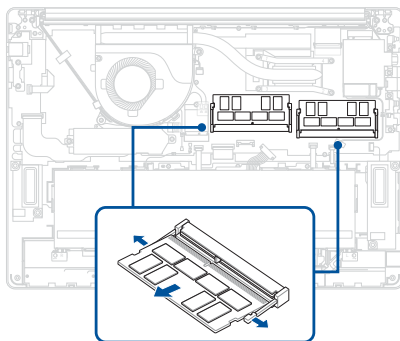
1. Remove the polyester film.



2. Remove the absorber sheet.

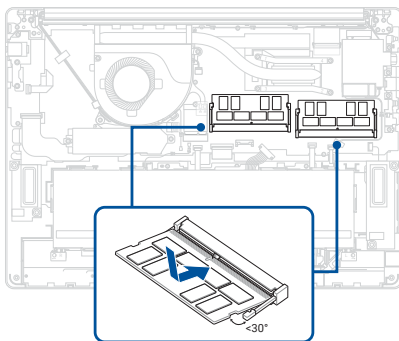


3. Push the clips outwards to remove the RAM module(s).

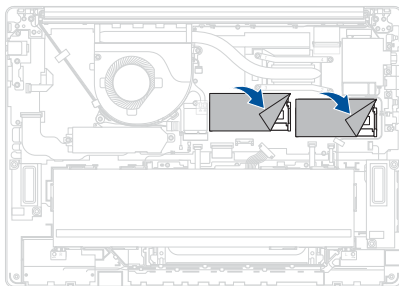


Installation

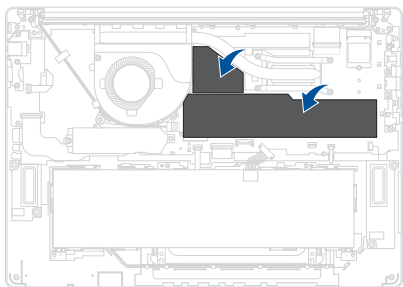
1. Align and insert the RAM module(s) into the RAM module slot(s).



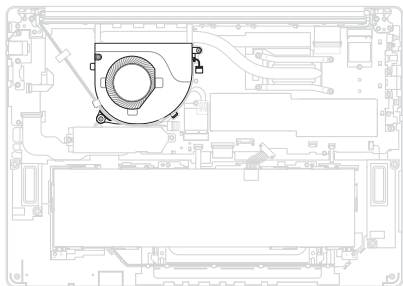
2. Attach the absorber sheet.



3. Attach the polyester film.
4. Install the components you removed in the *Before you begin* section.



Fan module



Before you begin

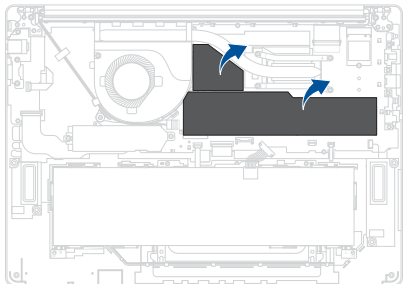
1. Read the **Safety Precautions** and **Pre-repair Checklist**.
2. Remove the bottom cover and disconnect the battery power cable.

Screw list

- ⊕ M2.0 X 4.0L (3pcs)

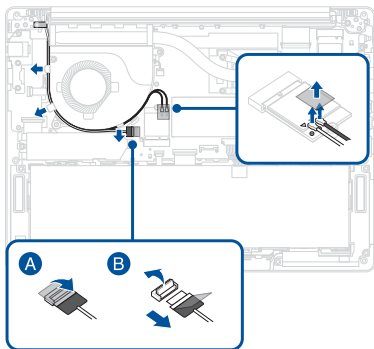
Removal

1. Remove the polyester film.

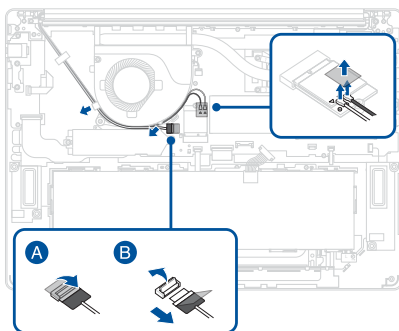


2. Remove the polyester film, then disconnect the cable(s).

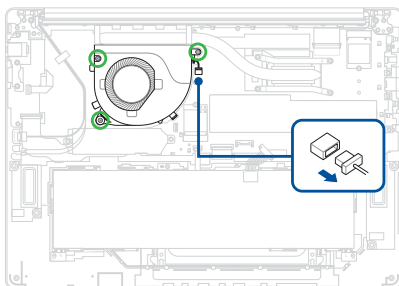
14" models



16" models

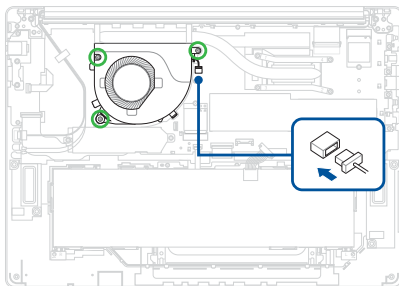


3. Remove the screw(s) and disconnect the cable, then remove the fan.



Installation

1. Install the fan, then reconnect the cable and secure the fan using the screw(s) you removed earlier.

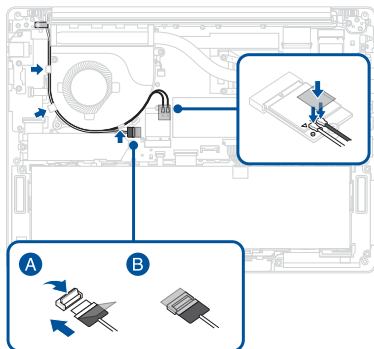


2. Route the cable(s) through the cable guide(s).

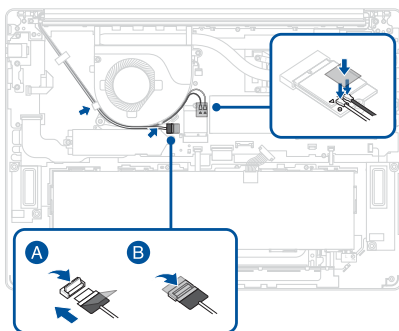
IMPORTANT! Damage may occur if cables are not properly routed through the cable guides. Confirm that all cables are routed through each of the indicated cable guides before proceeding.

3. Reconnect the cable(s), then attach the polyester film.

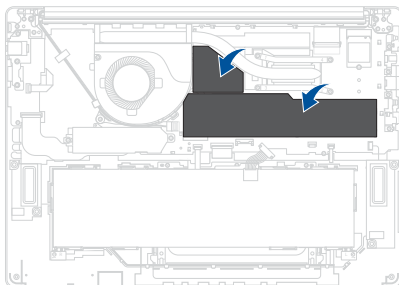
14" models



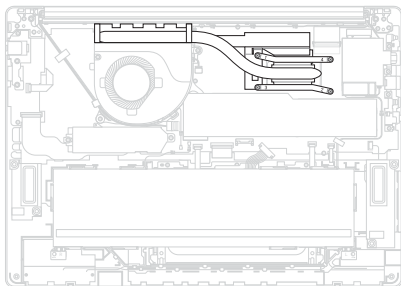
16" models



4. Attach the polyester film.
5. Install the components you removed in the *Before you begin* section.



Heat sink



Before you begin

IMPORTANT! Thermal paste, thermal pads, liquid metal, or other thermal interface materials must be thoroughly removed and replaced if this component is removed. Ensure that replacement materials are available before proceeding, or contact an authorized service center for assistance.

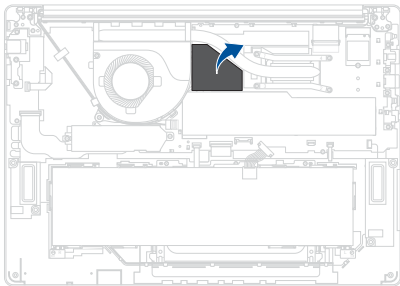
1. Read the **Safety Precautions** and **Pre-repair Checklist**.
2. Remove the bottom cover and disconnect the battery power cable.

Screw list

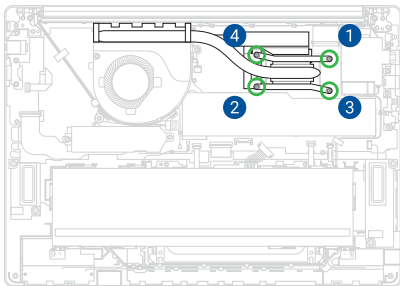
- ⊕ M2.0 X 4.0L (4pcs)

Removal

1. Remove the polyester film.

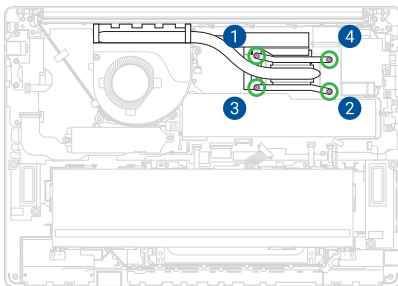


2. Remove the screw(s) one by one in the sequence shown in the illustration below, then remove the heat sink.

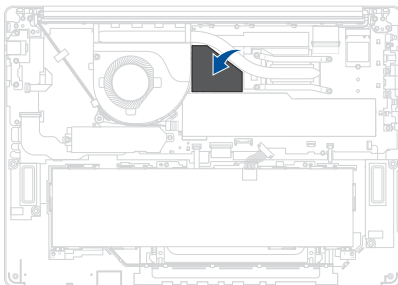


Installation

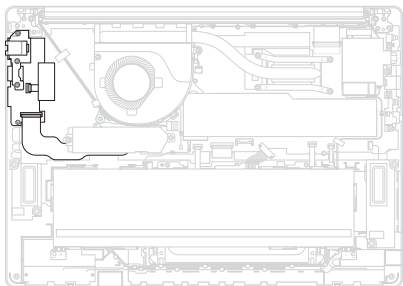
1. Install the heat sink, then secure the heat sink screw(s) one by one in the sequence shown in the illustration below.



2. Attach the polyester film.
3. Install the components you removed in the *Before you begin* section.



I/O board



Before you begin

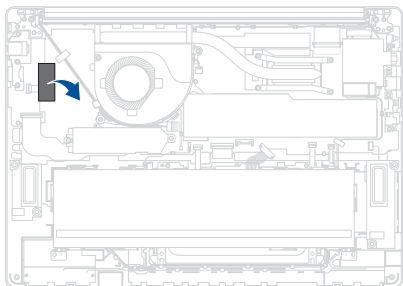
1. Read the **Safety Precautions** and **Pre-repair Checklist**.
2. Remove the bottom cover and disconnect the battery power cable.

Screw list

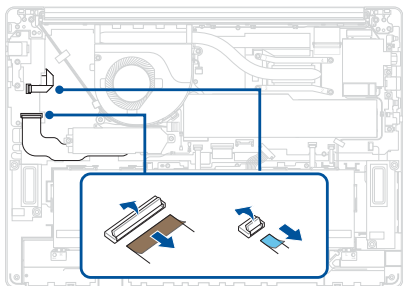
- ⊕ M2.0 X 4.0L (4pcs)

Removal

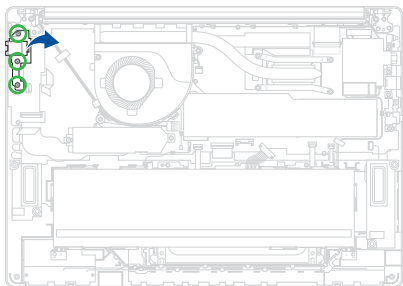
1. Remove the tape (on selected models).



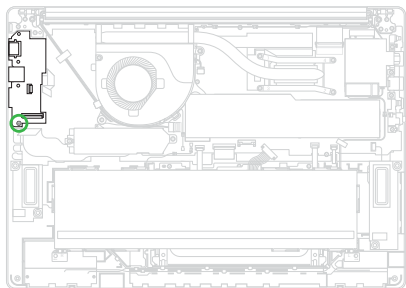
2. Disconnect the cable(s), then remove the screw(s).



3. Remove the screw(s), then remove the LAN port bracket.

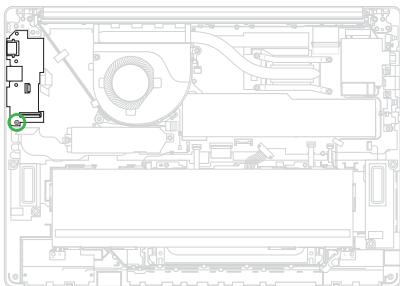


4. Remove the screw, then remove the I/O board.

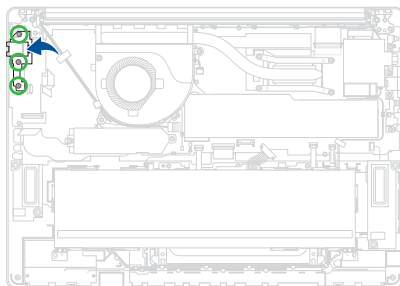


Installation

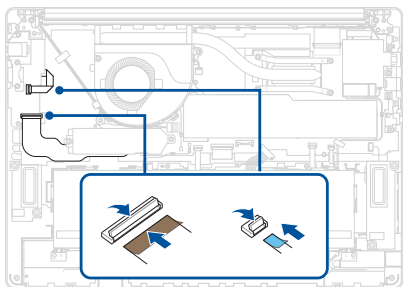
1. Install the I/O board, then secure the I/O board using the screw you removed earlier.



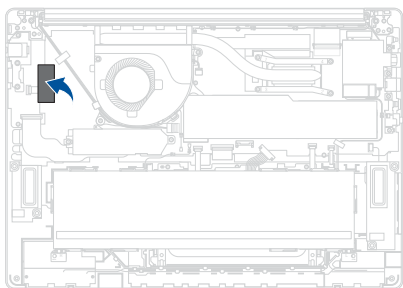
2. Install the LAN port bracket, then secure the LAN port bracket using the screw(s) you removed earlier.



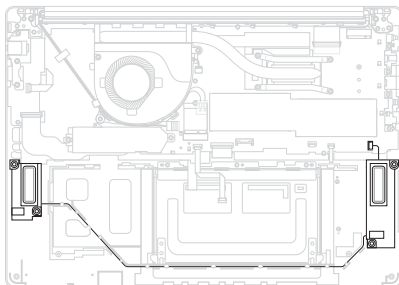
3. Reconnect the cable(s).



4. Attach the tape (on selected models).
5. Install the components you removed in the *Before you begin* section.



Speakers



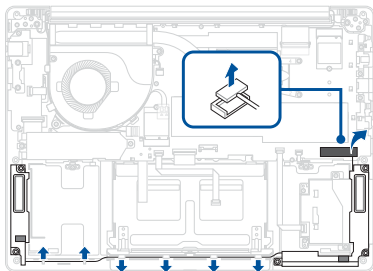
Before you begin

1. Read the **Safety Precautions** and **Pre-repair Checklist**.
2. Remove the bottom cover and disconnect the battery power cable.
3. Remove the following components:
 - Battery

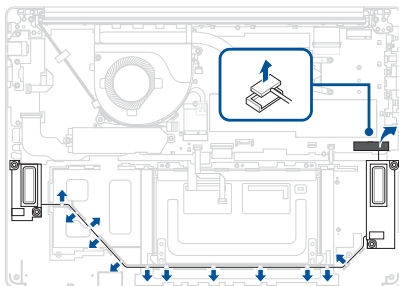
Removal

Remove the tape and disconnect the cable, then remove the speakers.

14" models



16" models



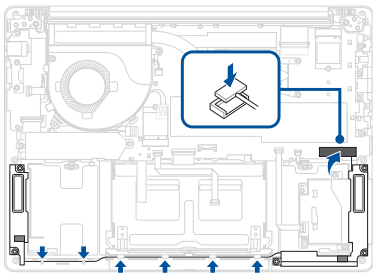
Installation

1. Install the speakers, then reconnect the cable and attach the tape.
2. Route the cable through the cable guide(s).

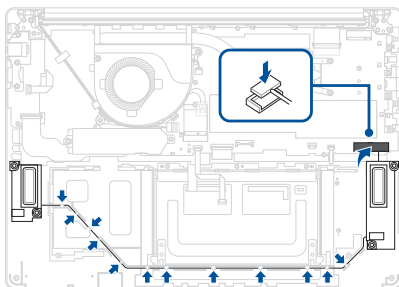
IMPORTANT! Damage may occur if cables are not properly routed through the cable guides. Confirm that all cables are routed through each of the indicated cable guides before proceeding.

3. Install the components you removed in the *Before you begin* section.

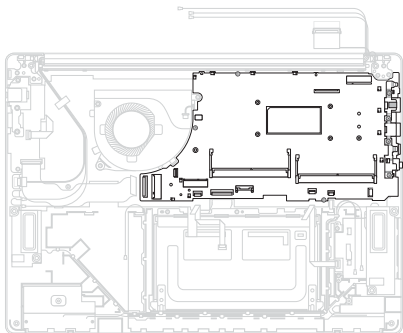
14" models



16" models



Motherboard



Before you begin

1. Read the **Safety Precautions** and **Pre-repair Checklist**.
2. Remove the bottom cover and disconnect the battery power cable.
3. Remove the following components:
 - Battery
 - M.2 SSD module
 - WLAN module
 - RAM module

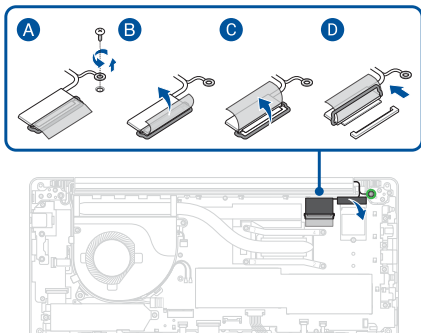
Screw list

- ⊕ M2.0 X 4.0L (8pcs)
- ⊕ M2.0 X 2.5L (3pcs)

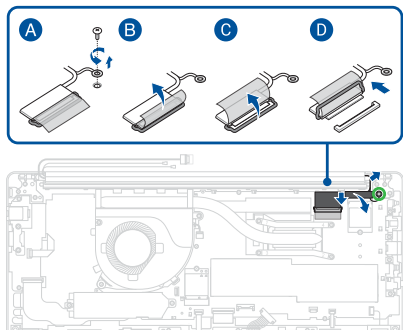
Removal

1. Remove the tape, then remove the screw and disconnect the cable.

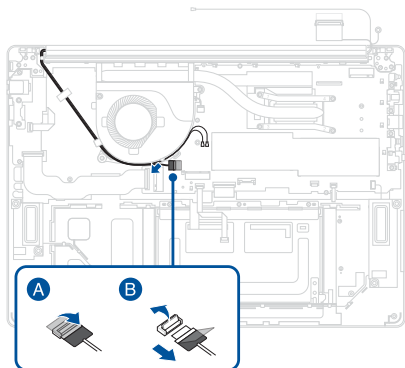
14" models



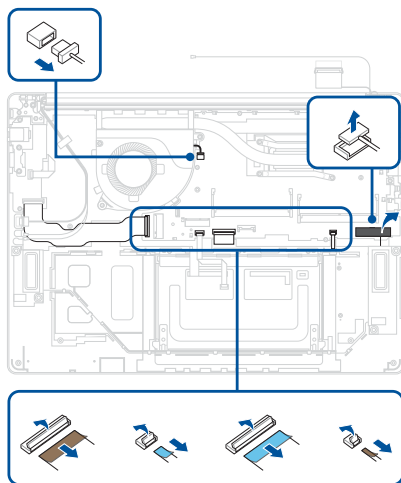
16" models



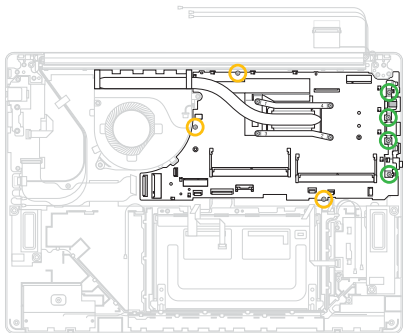
2. Disconnect and remove the cable(s) from the cable guide(s).



3. Remove the tape, then disconnect the cable(s).

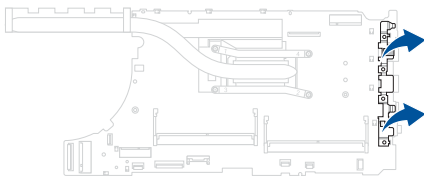


4. Remove the screw(s), then remove the motherboard.

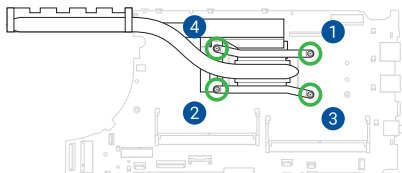


5. Remove the I/O port bracket.

NOTE: The following steps are only required when you are replacing the existing component with a new one.

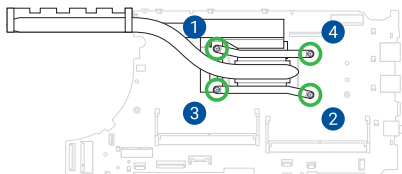


6. Remove the screw(s) one by one in the sequence shown in the illustration below, then remove the heat sink.

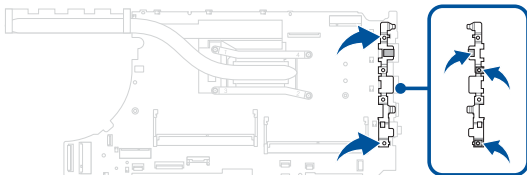


Installation

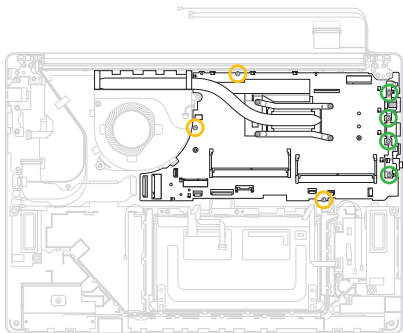
1. Install the heat sink, then secure the heat sink screw(s) one by one in the sequence shown in the illustration below.



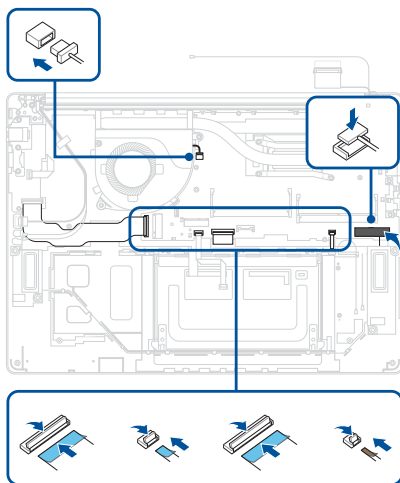
2. Attach the tape to the I/O port bracket, then install the I/O port bracket.



3. Install the motherboard, then secure the motherboard using the screw(s) you removed earlier.



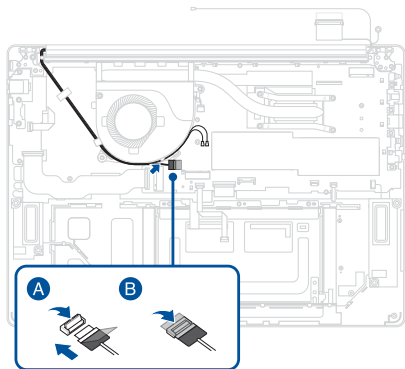
4. Reconnect the cable(s), then attach the tape.



5. Route the cable(s) through the cable guide(s).

IMPORTANT! Damage may occur if cables are not properly routed through the cable guides. Confirm that all cables are routed through each of the indicated cable guides before proceeding.

6. Reconnect the cable.

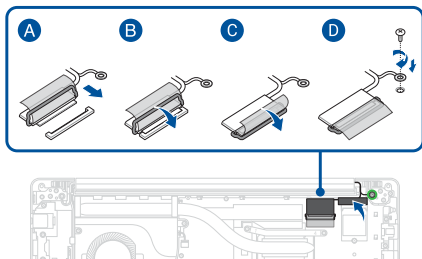


7. Route the cable through the cable guide(s).

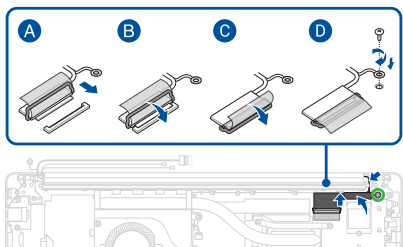
IMPORTANT! Damage may occur if cables are not properly routed through the cable guides. Confirm that all cables are routed through each of the indicated cable guides before proceeding.

8. Reconnect the cable and secure the cable using the screw you removed earlier, then attach the tape.
9. Install the components you removed in the *Before you begin* section.

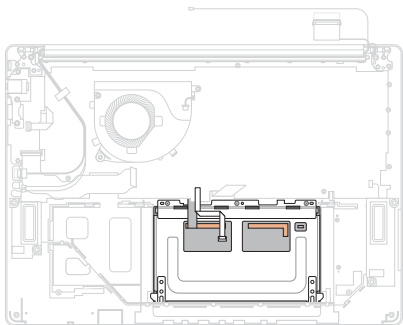
14" models



16" models



Touchpad



Before you begin

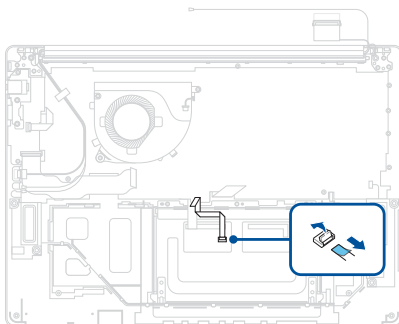
1. Read the **Safety Precautions** and **Pre-repair Checklist**.
2. Remove the bottom cover and disconnect the battery power cable.
3. Remove the following components:
 - Battery
 - M.2 SSD module
 - WLAN module
 - Motherboard

Screw list

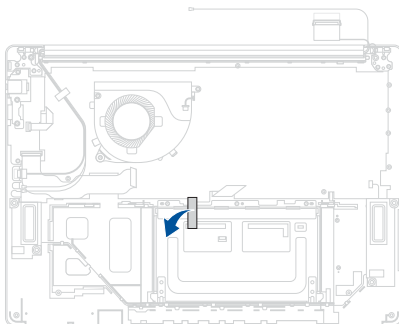
- ⊕ M1.6 X 2.0L (3pcs)

Removal

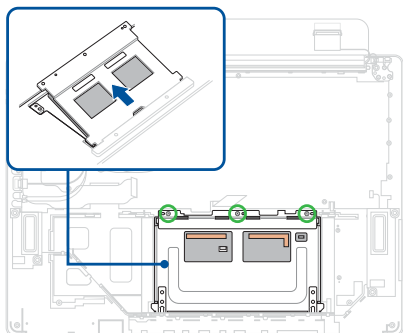
1. Disconnect the cable.



2. Remove the tape.

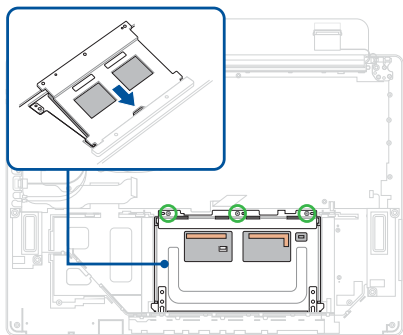


3. Remove the screw(s), then remove the touchpad.

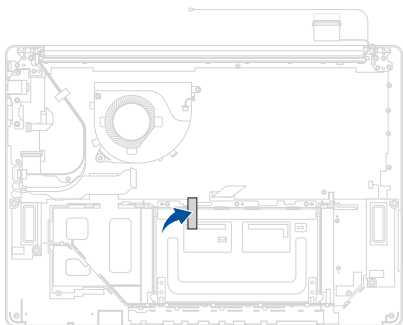


Installation

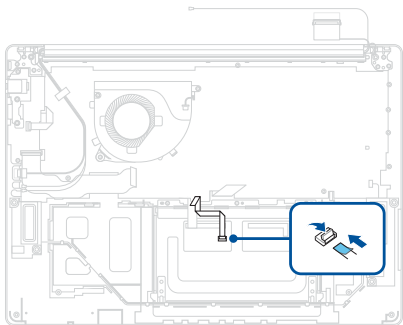
1. Install the touchpad, then secure the touchpad using the screw(s) you removed earlier.



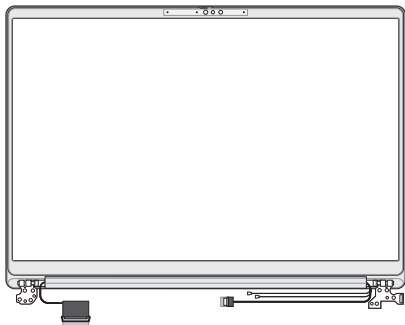
2. Attach the tape.



3. Reconnect the cable.
4. Install the components you removed in the *Before you begin* section.



Display panel module



Before you begin

IMPORTANT! Do not bend the display panel in any way to avoid risk of display panel leakage.

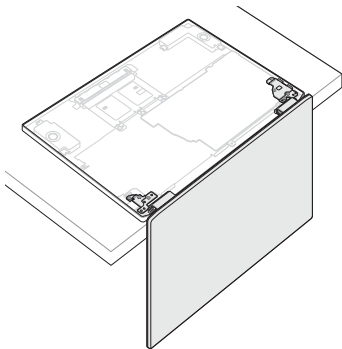
1. Read the **Safety Precautions** and **Pre-repair Checklist**.
2. Remove the bottom cover and disconnect the battery power cable.
3. Remove the following components:
 - WLAN module

Screw list

- ⊕ M2.5 X 4.5L (8pcs)

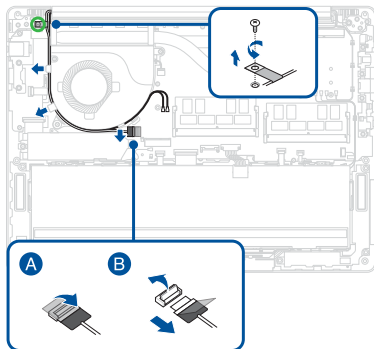
Removal

1. Place your device with the display panel hanging over the edge of the workspace as shown in the illustration below.

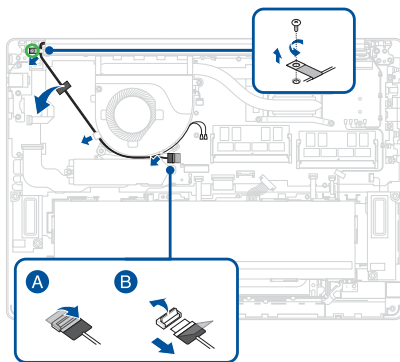


2. Remove the tape (on selected models), then remove the screw and disconnect the cable(s).

14" models

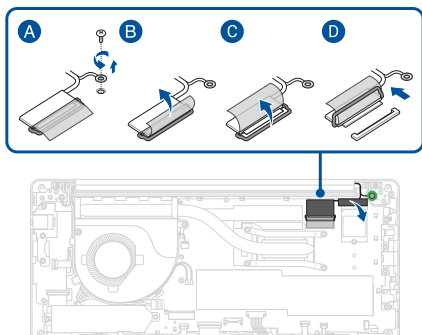


16" models

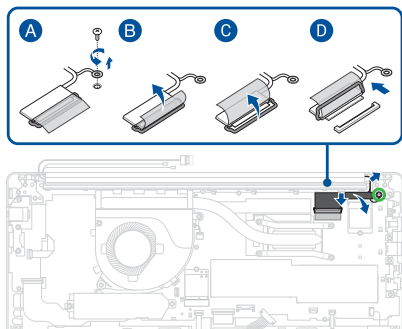


3. Remove the tape, then remove the screw and disconnect the cable.

14" models

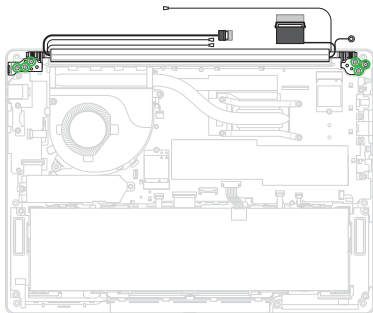


16" models

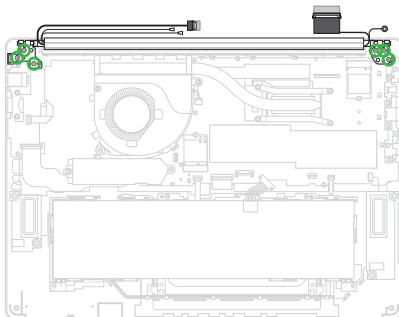


4. Remove the screw(s).

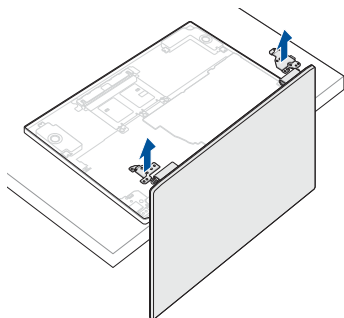
14" models



16" models

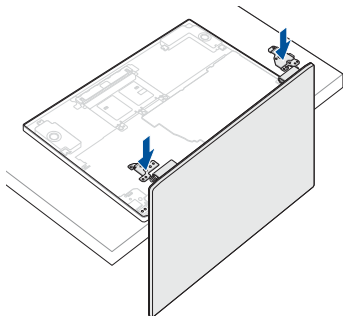


5. Remove the display panel module.



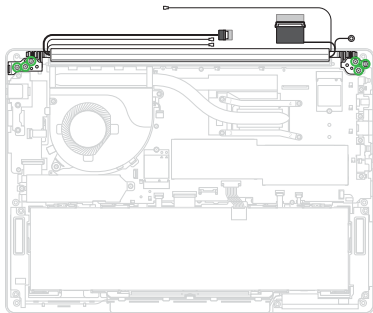
Installation

1. In the orientation shown, align and place the hinges of the display panel module on the screw holes.

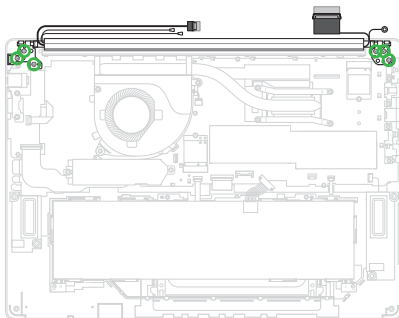


2. Secure the display panel module using the screw(s) you removed earlier.

14" models



16" models

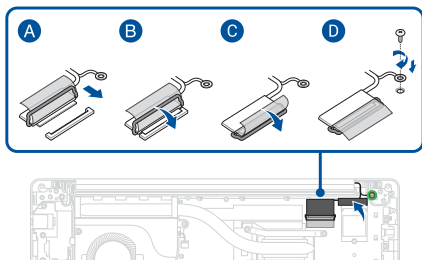


3. Route the cable through the cable guide(s).

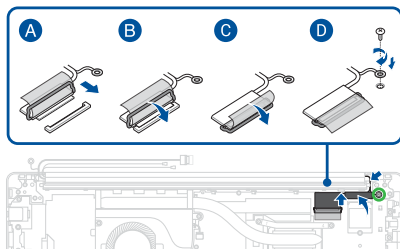
IMPORTANT! Damage may occur if cables are not properly routed through the cable guides. Confirm that all cables are routed through each of the indicated cable guides before proceeding.

4. Reconnect the cable and secure the cable using the screw you removed earlier, then attach the tape.

14" models



16" models

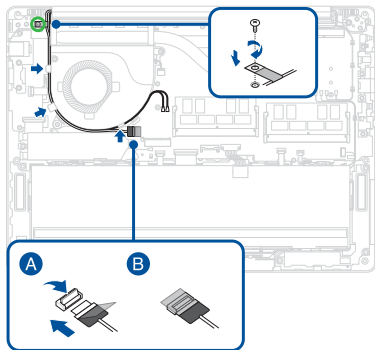


5. Route the cable through the cable guide(s).

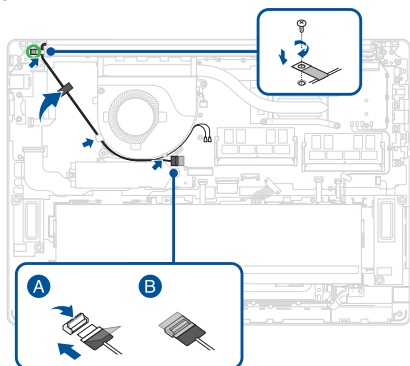
IMPORTANT! Damage may occur if cables are not properly routed through the cable guides. Confirm that all cables are routed through each of the indicated cable guides before proceeding.

6. Reconnect the cable(s) and attach the tape, then secure the tape using the screw you removed earlier.
7. Install the components you removed in the *Before you begin* section.

14" models



16" models



Display bezel



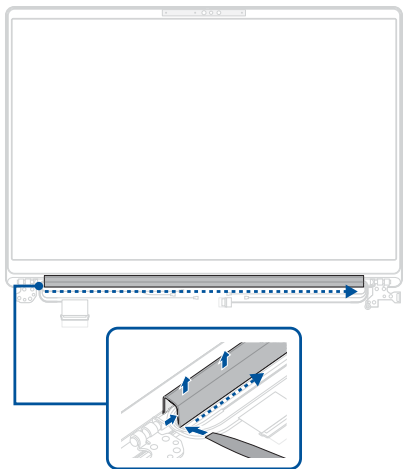
Before you begin

IMPORTANT! This component is fragile. Damage may occur if the service procedure is performed incorrectly. If you are uncertain about proceeding, stop and contact an authorized service center for assistance.

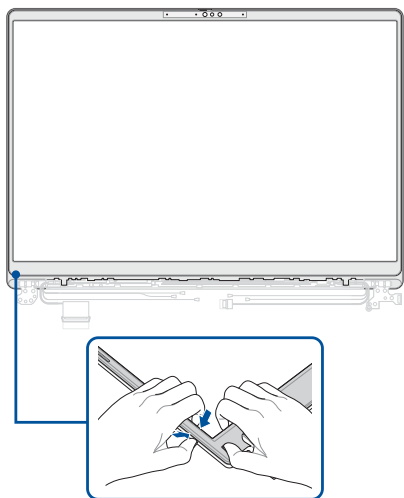
1. Read the **Safety Precautions** and **Pre-repair Checklist**.
2. Remove the bottom cover and disconnect the battery power cable.
3. Remove the following components:
 - Display panel module

Removal

1. Pry and remove the hinge cap.

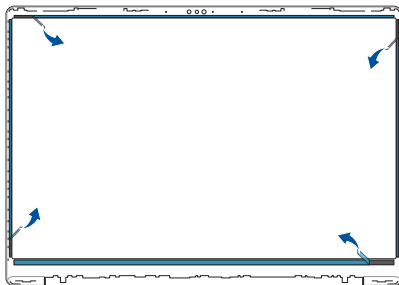


2. Carefully pry the bezel loose, then remove the bezel.

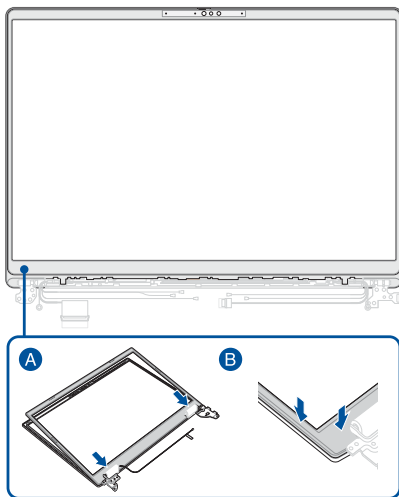


Installation

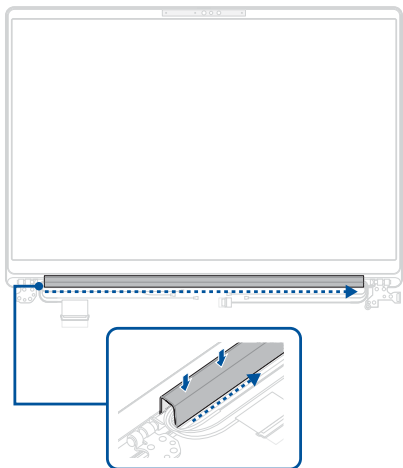
1. Remove the release liners from the tape on the bezel.



2. Align and install the bezel.



3. Install the hinge cap.
4. Install the components you removed in the *Before you begin* section.



Display panel



Before you begin

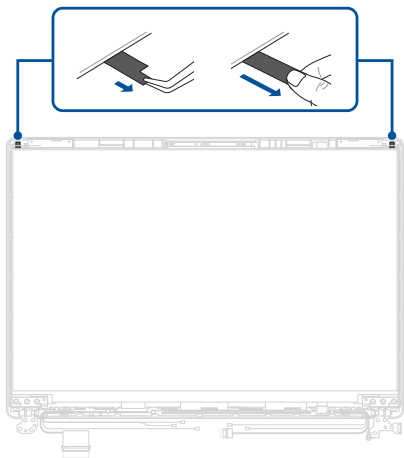
IMPORTANT! Do not bend the display panel in any way to avoid risk of display panel leakage.

1. Read the **Safety Precautions** and **Pre-repair Checklist**.
2. Remove the bottom cover and disconnect the battery power cable.
3. Remove the following components:
 - Display panel module
 - Display bezel

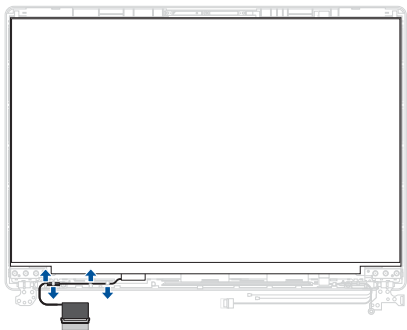
Removal

1. Locate the tip of the stretch release tape, then carefully pull out the stretch release tape as shown in the illustration below.

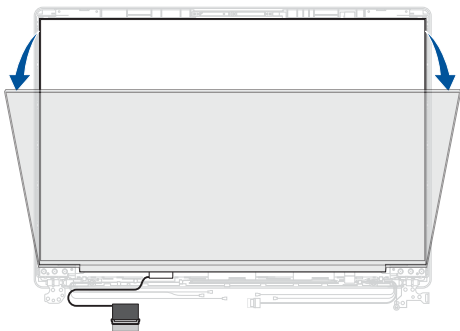
IMPORTANT! Maintain a flat angle and constant speed when pulling the stretch release tape. Excessive force may damage the stretch release tape and prevent removal of the display panel.



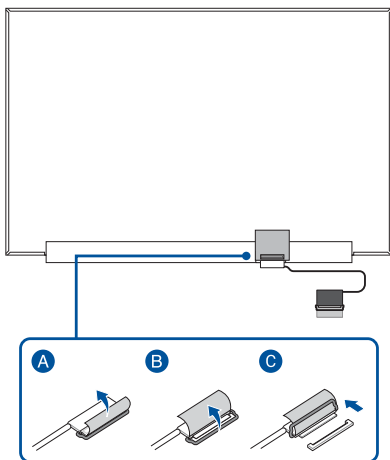
2. Remove the cable(s) from the cable guide(s).



3. Lift and flip the display panel over.

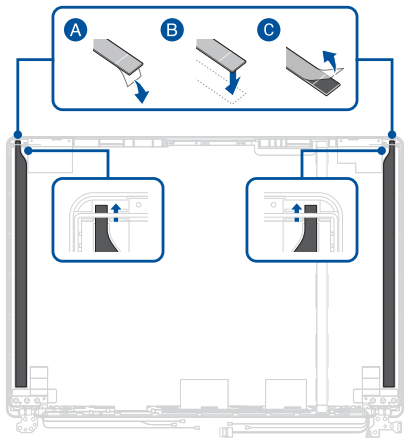


4. Disconnect the cable from the rear side of the display panel.

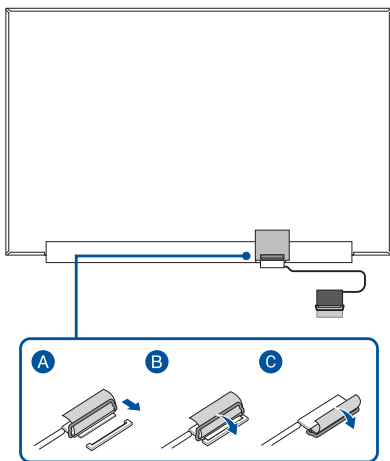


Installation

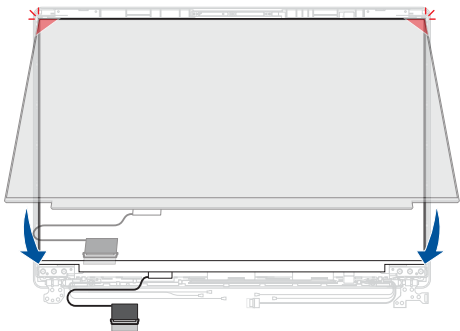
1. Remove the release liner(s) from the bottom side of the stretch release tape.
2. Align and attach the stretch release tape to the top cover.
3. Remove the release liner(s) from the top side of the stretch release tape.



4. Reconnect the cable to the rear side of the display panel.



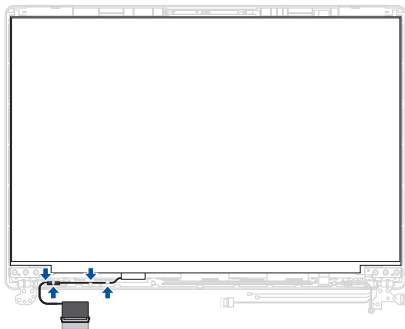
5. Flip the display panel over, then align the display panel with the chassis and gently press down on the display panel.



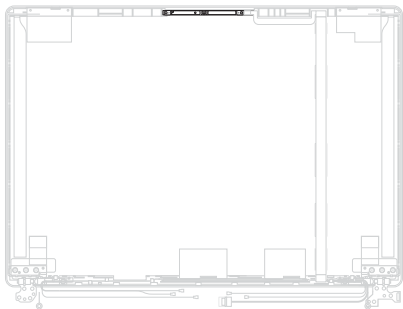
6. Route the cable through the cable guide(s).

IMPORTANT! Damage may occur if cables are not properly routed through the cable guides. Confirm that all cables are routed through each of the indicated cable guides before proceeding.

7. Install the components you removed in the *Before you begin* section.



Camera module



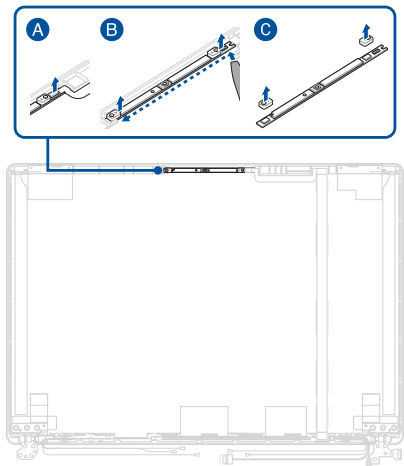
Before you begin

IMPORTANT! This component is fragile. Damage may occur if the service procedure is performed incorrectly. If you are uncertain about proceeding, stop and contact an authorized service center for assistance.

1. Read the **Safety Precautions** and **Pre-repair Checklist**.
2. Remove the bottom cover and disconnect the battery power cable.
3. Remove the following components:
 - Display panel module
 - Display bezel
 - Display panel

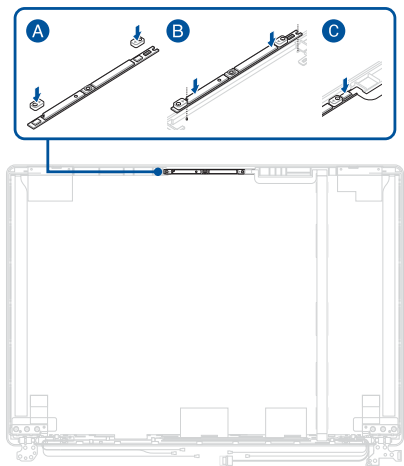
Removal

1. Disconnect the cable.
2. Carefully remove the camera module.
3. Remove the rubber caps from the camera module.



Installation

1. Attach the rubber caps to the camera module.
2. Install the camera module.
3. Reconnect the cable.
4. Install the components you removed in the *Before you begin* section.



Top cover



Before you begin

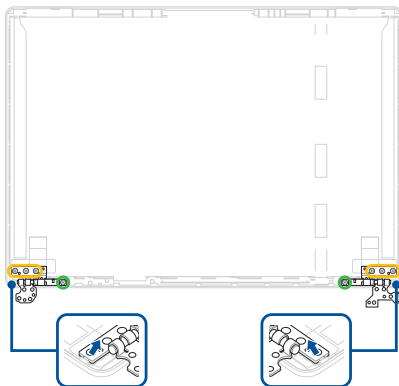
1. Read the **Safety Precautions** and **Pre-repair Checklist**.
2. Remove the bottom cover and disconnect the battery power cable.
3. Remove the following components:
 - Display panel module
 - Display bezel
 - Display panel
 - Camera module

Screw list

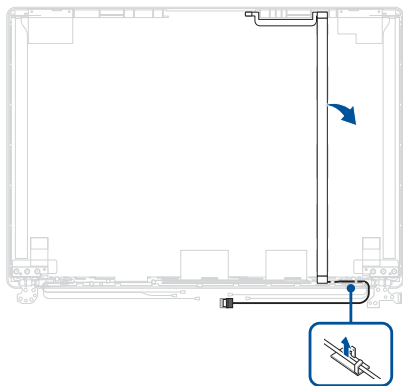
- ⊕ M2.0 X 4.0L (2pcs)
- ⊕ M2.0 X 2.5L (6pcs)

Removal

1. Remove the screw(s), then remove the hinges.



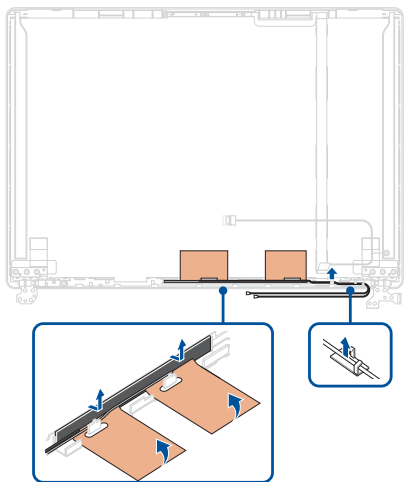
2. Remove the cable.



Installation

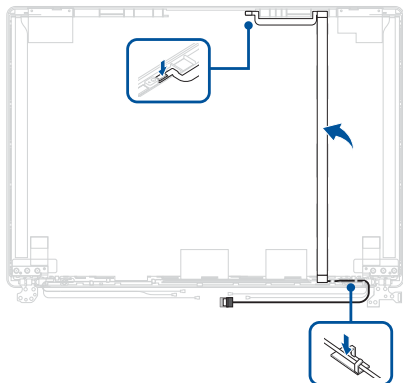
1. Install the WLAN antenna, then route the cable(s) through the cable guide(s).

IMPORTANT! Damage may occur if cables are not properly routed through the cable guides. Confirm that all cables are routed through each of the indicated cable guides before proceeding.

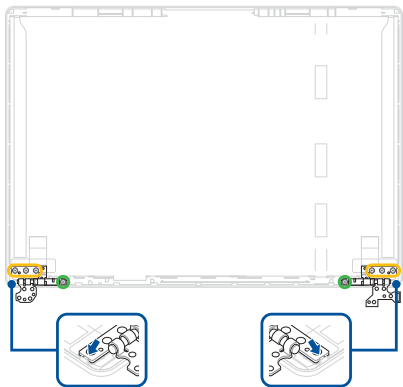


2. Attach the cable, then route the cable through the cable guide(s).

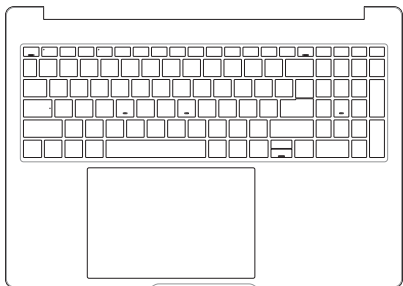
IMPORTANT! Damage may occur if cables are not properly routed through the cable guides. Confirm that all cables are routed through each of the indicated cable guides before proceeding.



3. Install the hinges, then secure the hinges using the screw(s) you removed earlier.
4. Install the components you removed in the *Before you begin* section.



Keyboard module



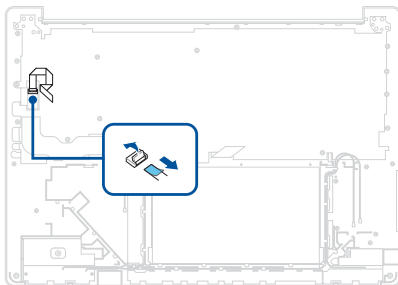
Before you begin

1. Read the **Safety Precautions** and **Pre-repair Checklist**.
2. Remove the bottom cover and disconnect the battery power cable.
3. Remove the following components:
 - Battery
 - M.2 SSD module
 - WLAN module
 - RAM module
 - Fan module
 - Heat sink

- I/O board
- Speakers
- Motherboard
- Touchpad
- Display panel module

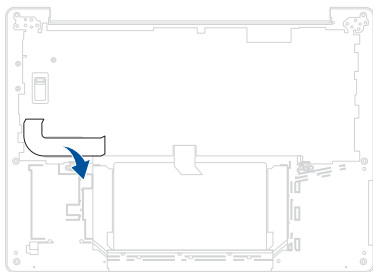
Removal

1. Disconnect the cable.

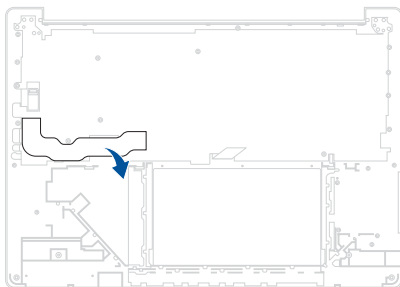


2. Remove the cable.

14" models

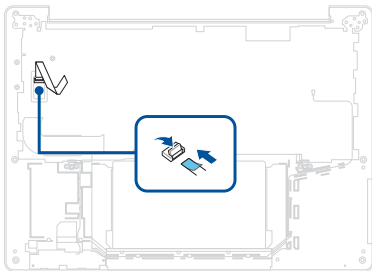


16" models

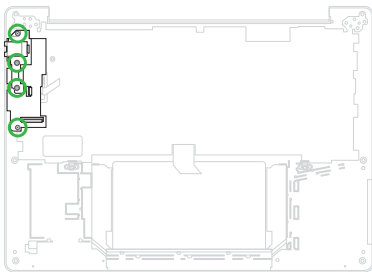


Installation

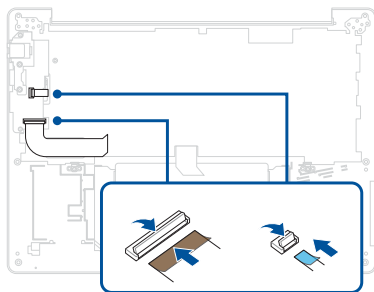
1. Reconnect the cable.



2. Install the I/O board, then secure the I/O board using the screw(s) you removed earlier.

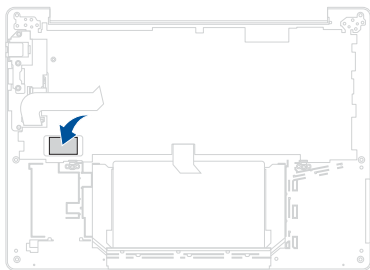


3. Reconnect the cable(s).



4. Attach the tape to the keyboard module.

14" models

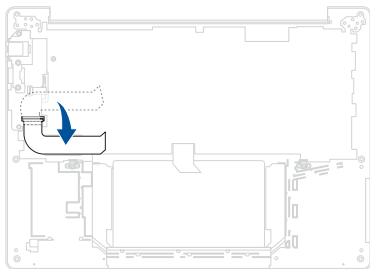


16" models

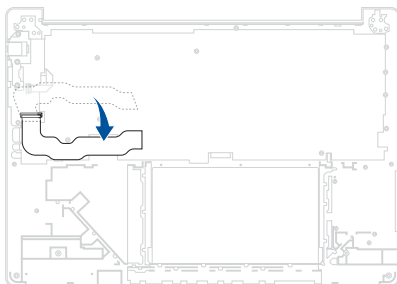


5. Attach the cable to the keyboard module.
6. Install the components you removed in the *Before you begin* section.

14" models

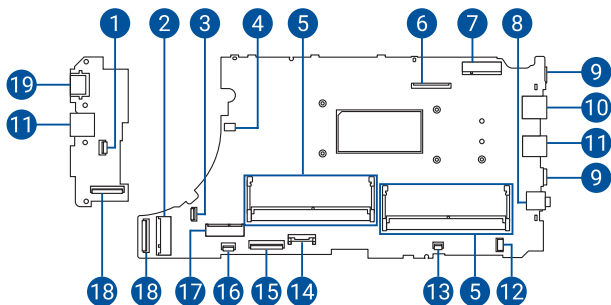


16" models



Appendix

Wiring and connection diagrams



- | | |
|---------------------------------|----------------------------------|
| 1. Fingerprint sensor connector | 11. USB Type-A connector |
| 2. M.2 2280 SSD connector | 12. Speaker connector |
| 3. Camera connector | 13. Keyboard backlight connector |
| 4. Fan connector | 14. Battery connector |
| 5. RAM module slot | 15. Keyboard connector |
| 6. eDP connector | 16. Touchpad connector |
| 7. M.2 2230 SSD connector | 17. WLAN module connector |
| 8. Audio connector | 18. I/O board connector |
| 9. USB Type-C® connector | 19. LAN connector |
| 10. HDMI connector | |