

AXIS Q6300-E Panoramic Camera

Repainting instructions

Impact on warranty

This product is approved for repaint by Axis, provided that you follow the instructions in this document and at axis.com/warranty-implication-when-repainting.

Risks with repainting

There are several risks when disassembling or assembling an Axis product. Training of operators and the use of correct tools mediates some of the problems but they can never be fully avoided. Some of the risks include:

ESD Damage – Always handle the product in an ESD safe environment. Even if precautions are taken there is always a risk of ESD damage. The damage can remain undetected and cause problems during the lifetime of the equipment.

Dust contamination – Opening a camera may expose the lens and sensor to dust or paint. Dust will affect the optical performance. Lenses need to be disassembled in a dust-free environment, preferably a cleanroom.

Paint overspray – Masking the different components of the equipment is critical. Failure to mask sensitive areas can cause problems when assembling the equipment. Areas not painted at the factory or which have a different surface treatment than the parts to be painted (threads, ground and electrical contact surfaces) must also be masked to ensure function.

Repaint the product

Preparations

- If applicable, disassemble the device according to the instructions in this document.
- Clean all parts that will be repainted thoroughly to remove grease, dust, or oil.
- To ensure reassembly and functionality of the product, mask any openings (for example for screws, LED indicators, or microphones) before you paint.

Pretreatment of parts

Depending on the part material and type of coating applied at the factory, pretreatment might be necessary for the new coating to adhere well. Before you apply a new coating, we recommend the following pretreatment:

1. If necessary, roughen up the surface with a light sandpaper or similar to increase adhesion. Alternatively, remove the original coating down to the base material.
2. Clean the parts properly to remove oil, grease, and dust.
3. If necessary, apply a primer layer suitable for the specific material, to increase adhesion to the parts. For metal parts on outdoor products, we recommend a primer to improve corrosion resistance.

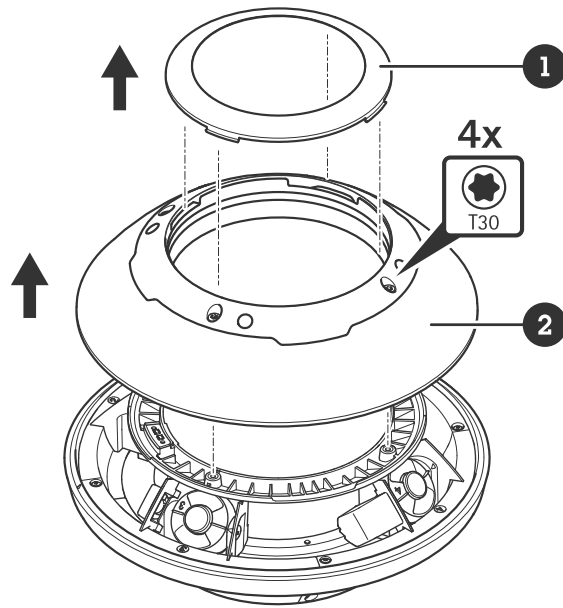
We recommend pretreatment of parts that are:

- powder-coated
- wet-painted
- anodised
- chromated
- stainless steel
- other metal
- plastic

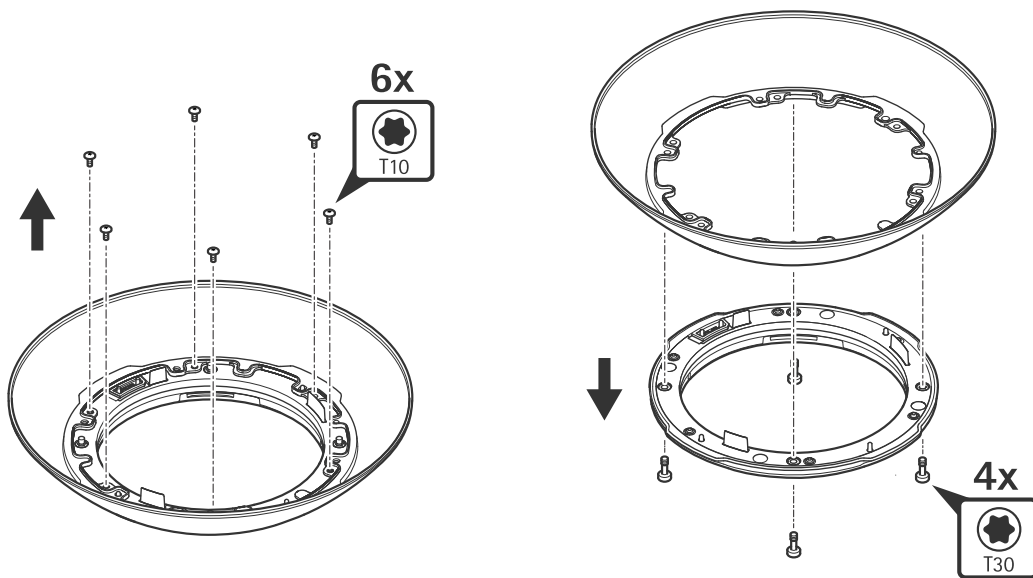
For more information on the materials used in the product, see its datasheet on [axis.com](https://www.axis.com).

Disassembly

1. Loosen the four screws from the dome ring (2) and remove the cover ring (1).
2. Remove the four screws from the dome ring.
3. Slowly lift the inner edge of the dome ring. Be careful not to scratch or dent the dome.
4. Carefully lift the inner edge all way round to release the dome ring.

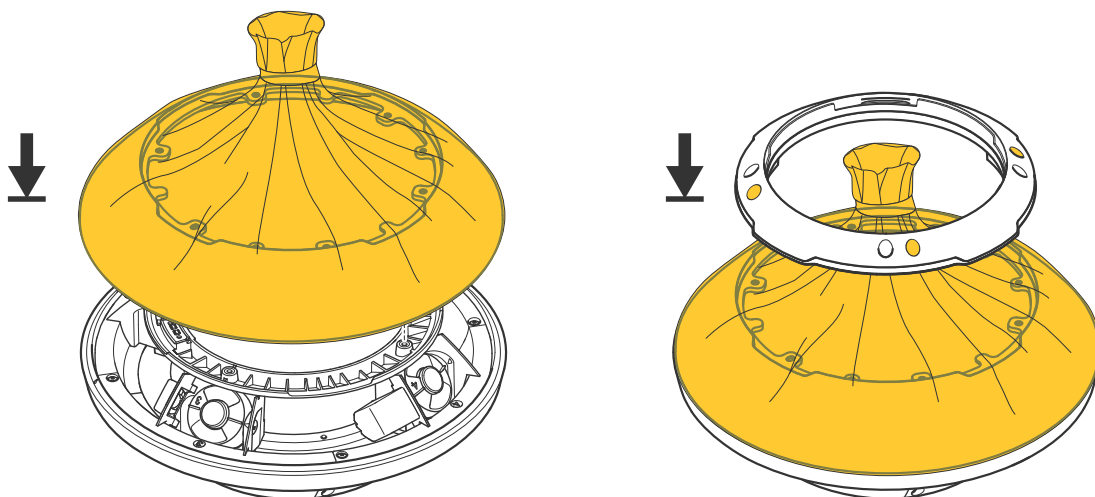


5. Remove the six screws from the ring and remove the ring from the dome.



Repainting

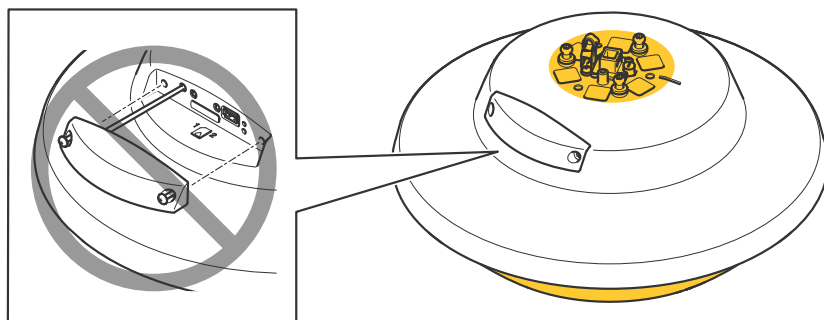
1. Mask the dome including the edge and the four microphone meshes.
2. Place the dome on the camera unit. Make sure the edge of the top cover can be painted.
3. Place the ring on top of the masked dome.



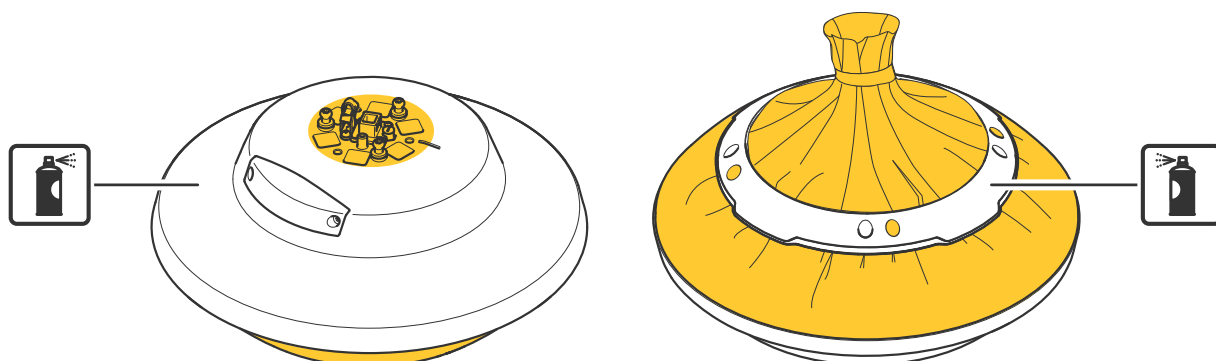
4. Mask the holder hook and all holes.

Note

Don't remove the SD card cover during repainting. The cover gasket can be damaged.



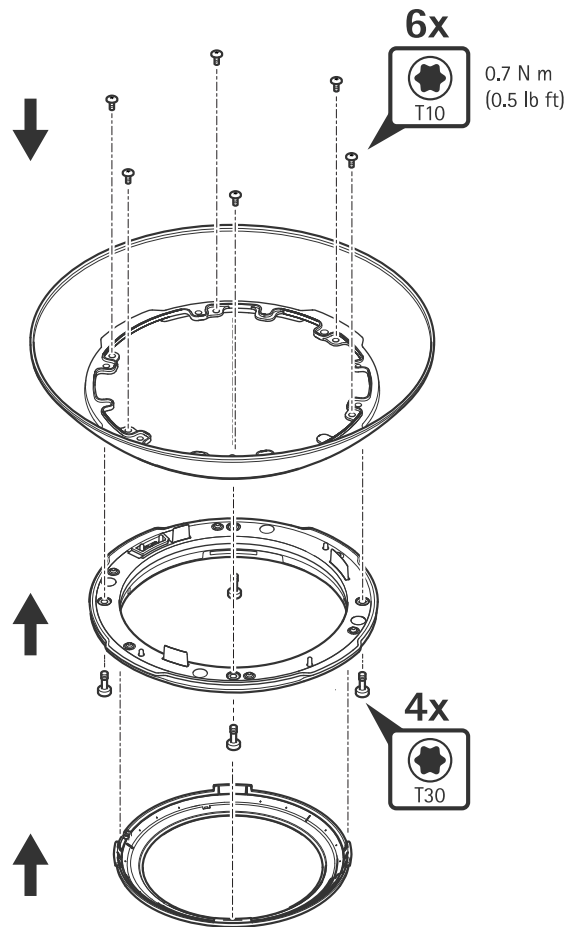
5. Make sure all necessary preparations of the camera unit and the cover ring have been made. See *Preparations, on page 3.*
6. Apply a thin and even layer of spray paint according to the instructions of the paint manufacturer.



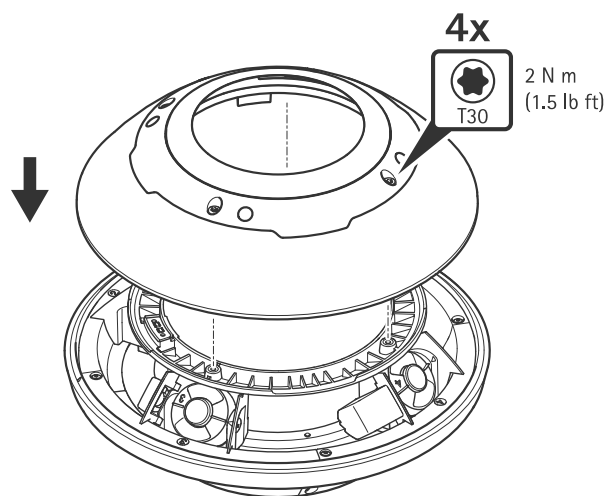
7. Let the paint dry.
8. To get a better coverage and clearer color, apply a second layer of spray paint.
9. When the paint is dry, remove the masking.

Reassembly

1. Reassemble the dome rings (6 screws, 0.7 N m).
2. Reassemble the cover ring (4 screws).



3. Attach the dome assembly to the camera (2 N m).



T10219313

2025-02 (M1.5)

© 2025 Axis Communications AB