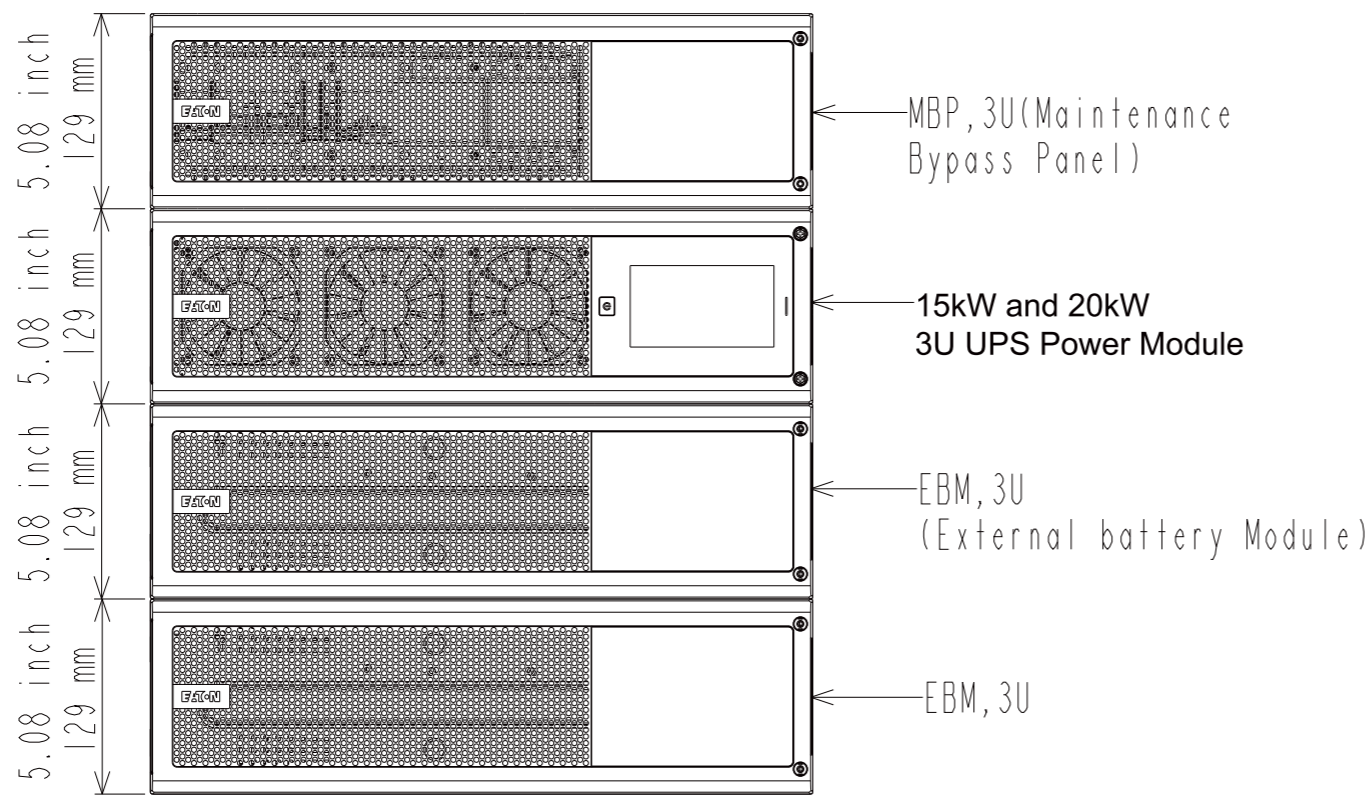
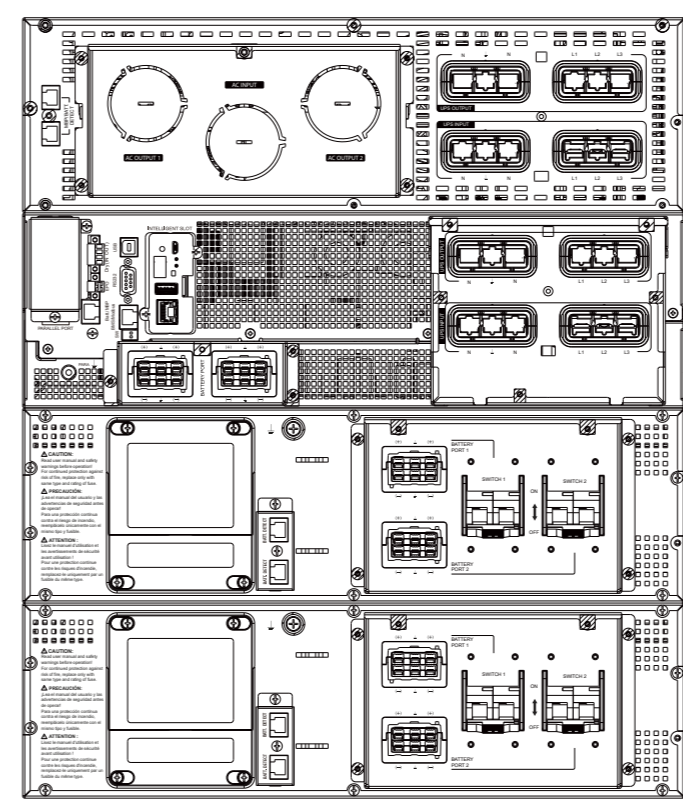


| REV | DATE | ECO-CODE | MODIFICATION | PREPARED | APPROVED |
|-----|------|----------|--------------|----------|----------|
|     |      |          | FIRST ISSUE  |          |          |



Front view



MBP20KIUHW:MBP  
Weight 17.35kg(38.25 lbs)

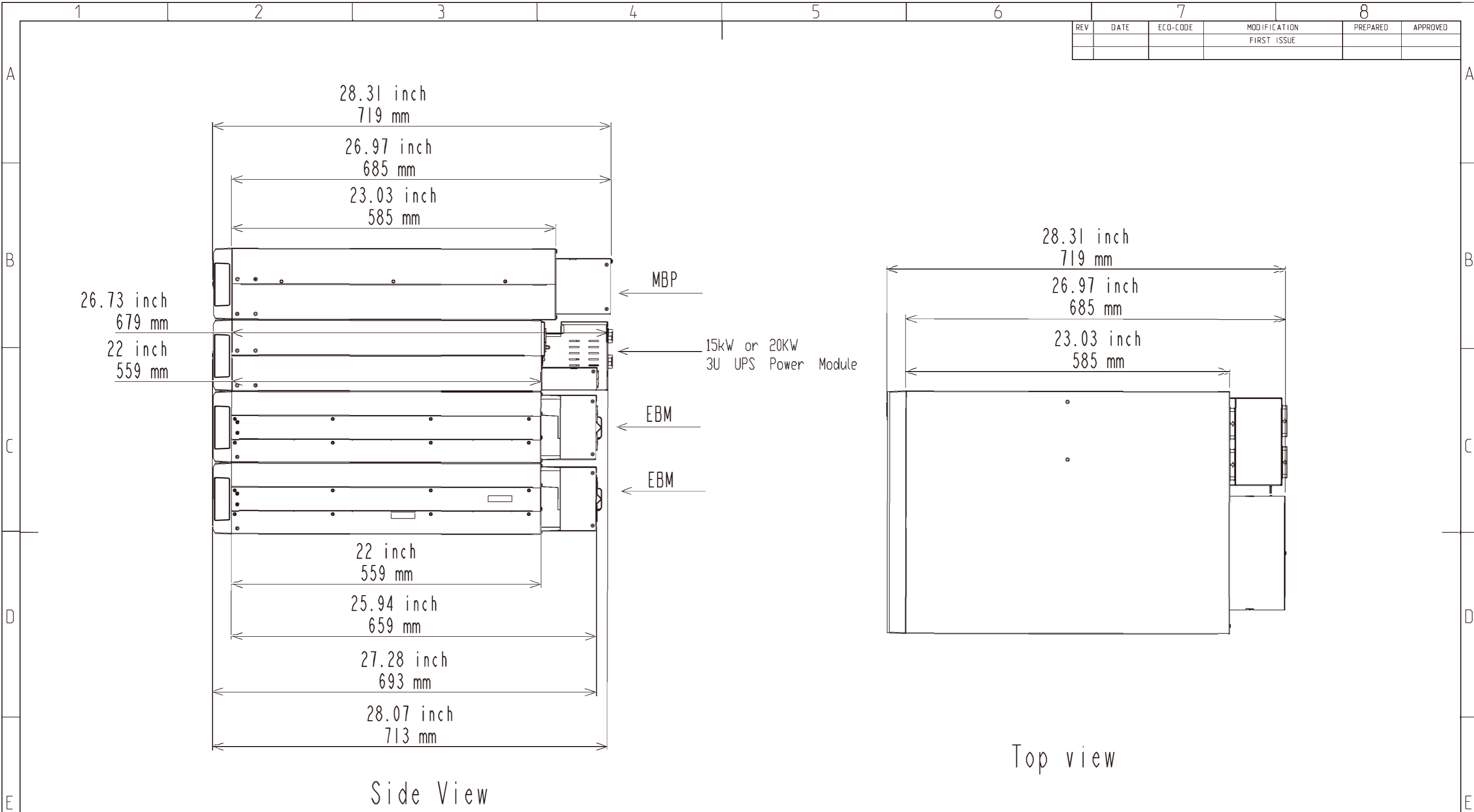
93PX15KIPMB:15kW  
or 93PX20KIPMB:20kW  
Weight 25.9kg(57.1 lbs)

93PX2EBM480U:EBM  
Weight:62.5kg(137.8 lbs x)each  
Total weight 125kg(275.6lbs)

Rear view

|   |  |                   |               |           |          |
|---|--|-------------------|---------------|-----------|----------|
| METRIC  |  | EATON CORPORATION |               |           |          |
| DIMENSIONS ARE IN MILLIMETERS AFTER PLATING. DIMENSIONS AND TOLERANCES IN ACCORDANCE WITH ASME Y14.5M-1994. SEE NOTES FOR TOLERANCES. |  |                   |               |           |          |
| DESCRIPTION: 15kW and 20kW UPS with hardwired input/output and Industrial card  |  |                   |               |           |          |
| ORIGINATED:   |  | ECO:              | NAME:         | REVISION: | SIZE: A3 |
| MODIFIED:   |  |                   | 93PX15KIHWNDG |           | SCALE:   |
| CHECKED:  |  | DOCUMENT TYPE:    | 93PX20KIHWNDG | STATE:    | 0.200    |
| SAFETY:   |  | PRO-E DRAWING     |               |           | SHEET:   |
| APPROVED:   |  |                   |               |           | 1 OF 6   |

| REV | DATE | ECO-CODE | MODIFICATION | PREPARED | APPROVED |
|-----|------|----------|--------------|----------|----------|
|     |      |          | FIRST ISSUE  |          |          |



Top view

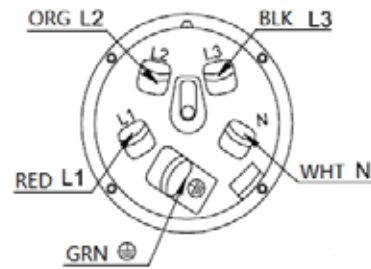
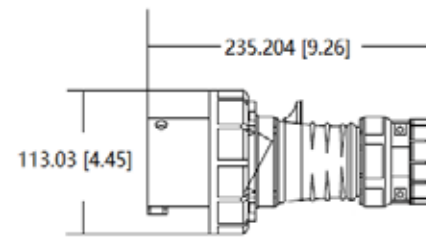
Side View

|   |  |                   |                |           |          |
|---|--|-------------------|----------------|-----------|----------|
| METRIC  |  | EATON CORPORATION |                |           |          |
| DIMENSIONS ARE IN MILLIMETERS AFTER PLATING. DIMENSIONS AND TOLERANCES IN ACCORDANCE WITH ASME Y14.5M-1994. SEE NOTES FOR TOLERANCES. |  |                   |                |           |          |
| DESCRIPTION: 15kW and 20kW UPS with hardwired input/output and Industrial card  |  |                   |                |           |          |
| ORIGINATED:   |  | ECO:              | NAME:          | REVISION: | SIZE: A3 |
| MODIFIED:   |  |                   | 93PX15KIHWN DG |           | SCALE:   |
| CHECKED:  |  | DOCUMENT TYPE:    | 93PX20KIHWN DG | STATE:    | 0.150    |
| SAFETY:   |  | PRO-E DRAWING     |                |           | SHEET:   |
| APPROVED:   |  |                   |                |           | 2 OF 6   |

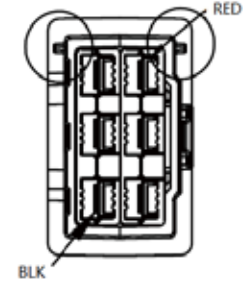
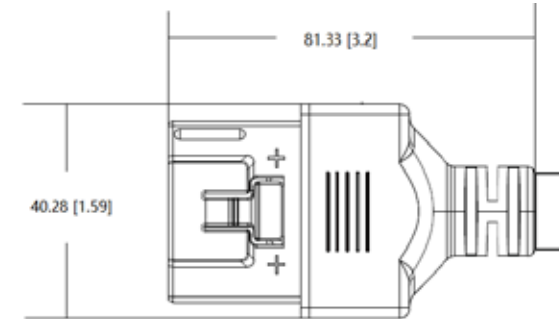
| REV | DATE | ECO-CODE | MODIFICATION | PREPARED | APPROVED |
|-----|------|----------|--------------|----------|----------|
|     |      |          | FIRST ISSUE  |          |          |

| BLADE UPS MODEL NUMBER | RATED (kVA) | RATED VOLTAGE (V) | RATED INPUT /OUTPUT CURRENT(A) | HEAT DISSIPATION (HE MODEL) WATTS, BTU/HOUR | LINE CORD INPUT/ OUTPUT CONNECTORS  | NOMINAL CORD LENGTH FROM REAR PANEL M [IN] | LINE CORD BEND RADIUS MM [IN] | DEPTH OF CORD BEND FROM REAR PANEL "D" MM [IN] | WEIGHT (UPSW/BATTERIES) lb (kg) |
|------------------------|-------------|-------------------|--------------------------------|---|-------------------------------------|--|-------------------------------|--|---------------------------------|
| MBP20KIU               | 20          | 380/400/415       | 40/30.3                        | 400, 1365 @ FULL LOAD                       | IEC309-60(5 WIRE)/IEC309-60(5 WIRE) | 3.05m [120 in]/ 0.6m [24 in]               | 140mm(5.51in)<br>75(2.95 in)  | 100mm(3.94in)<br>75(2.95 in)                   | 27kg(59.52lbs)                  |
| MBP20KIUHW             | 20          | 380/400/415       | 40/30.3                        | 400, 1365 @ FULL LOAD                       | SBS75G(3 WIRE)/SBS75G(3 WIRE)       | 0.6m [24 in]                               | 75(2.95 in)                   | 75(2.95 in)                                    | 17.35kg(38.25lbs)               |
| MBP20KIUPARA           | 40          | 380/400/415       | 60/60.6                        | 800, 2730 @ FULL LOAD                       | SBS75G(3 WIRE)/SBS75G(3 WIRE)       | 0.6m [24 in]                               | 75(2.95 in)                   | 75(2.95 in)                                    | 22.4kg(48.38 lbs)               |
| 93PX2EBM480U           | 20          | ±240V             | 45                             | NA  | SA30(6 WIRE)/SA30(6 WIRE)           | 0.9m [35 in]                               | 55mm(2.17 in)                 | 50mm(1.97 in)                                  | 125kg (275.6lbs)                |

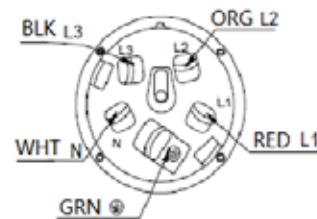
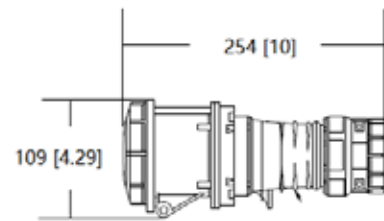
IEC309-60 (5 WIRE)  
3Phase 200-415V IP67  
IN PLUG



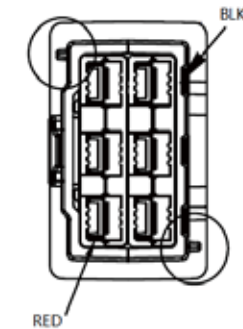
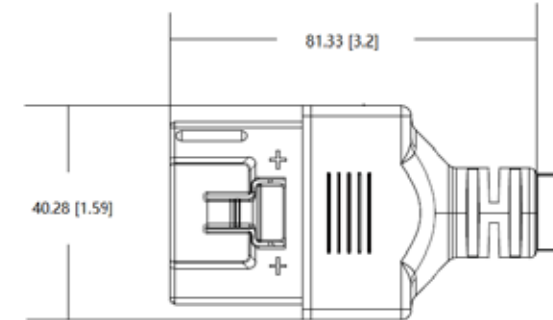
SA30 (6 WIRE)  
INPUT PLUG



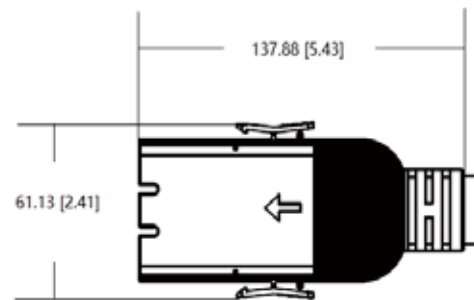
IEC 309-60 (5 WIRE)  
3Phase 200-415V IP67  
OUTPUT CONNECTOR



SA30 (6 WIRE)  
OUTPUT CONNECTOR



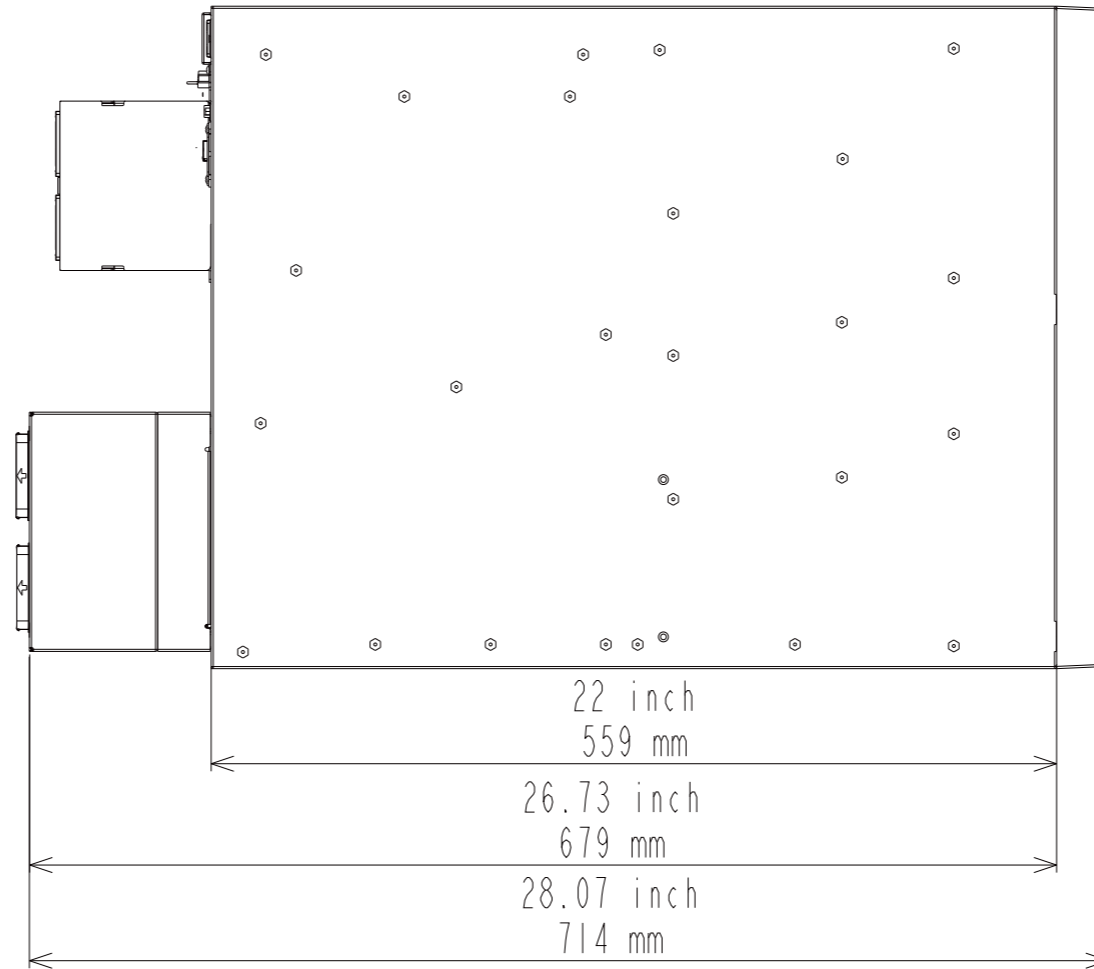
SBS75G (3 WIRE)  
INPUT PLUG / OUTPUT CONNECTOR



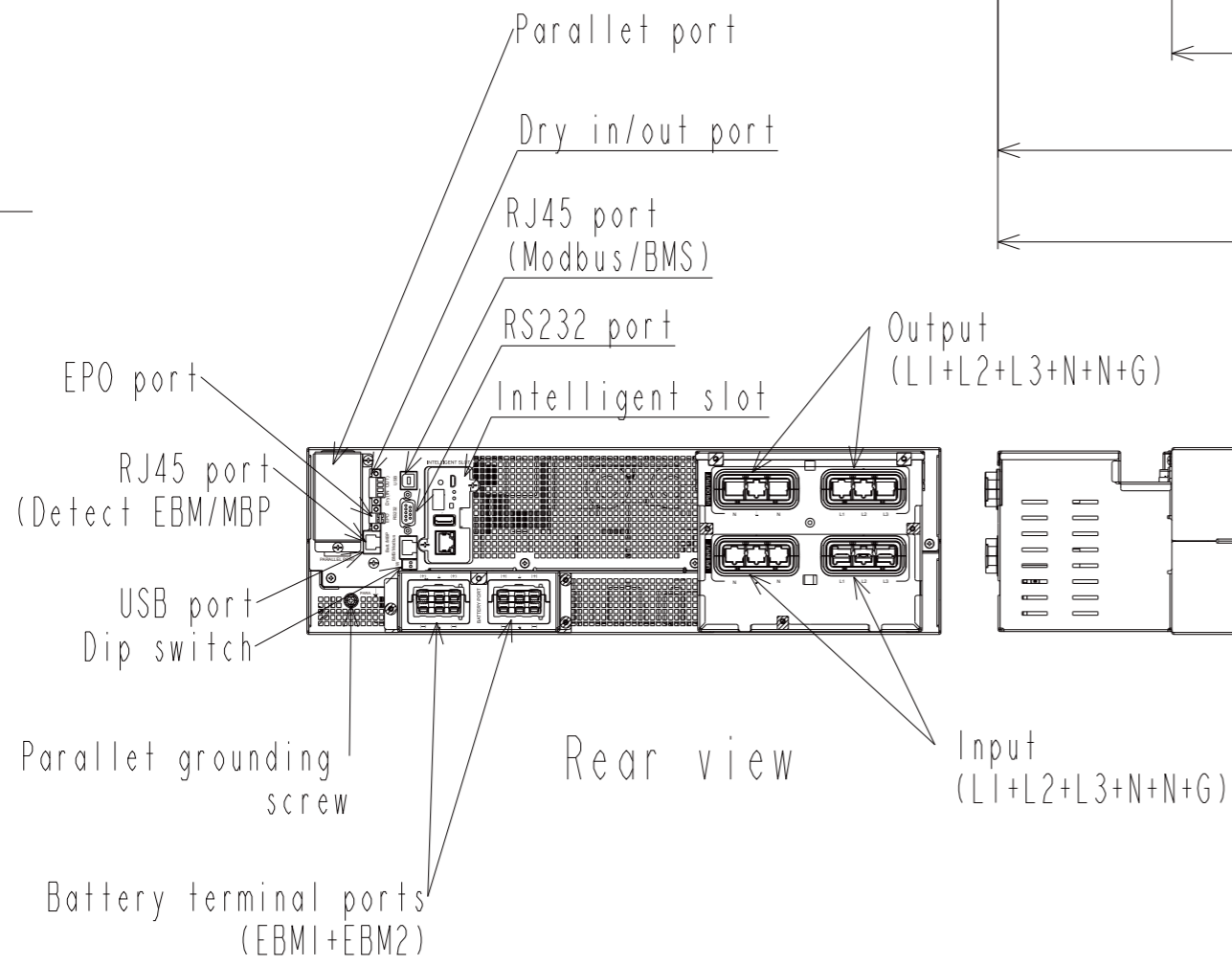
|   |  |                   |               |           |          |
|---|--|-------------------|---------------|-----------|----------|
| METRIC  |  | EATON CORPORATION |               |           |          |
| DIMENSIONS ARE IN MILLIMETERS AFTER PLATING. DIMENSIONS AND TOLERANCES IN ACCORDANCE WITH ASME Y14.5M-1994. SEE NOTES FOR TOLERANCES. |  |                   |               |           |          |
| DESCRIPTION: 15KW and 20KW Cable and Connector drawings   |  |                   |               |           |          |
| ORIGINATED:   |  | ECO:              | NAME:         | REVISION: | SIZE: A3 |
| MODIFIED:   |  |                   | 93PX15KIHWNDR | STATE:    | SCALE:   |
| CHECKED:  |  | DOCUMENT TYPE:    | 93PX20KIHWNDR |           | 0.200    |
| SAFETY:   |  | PRO-E DRAWING     |               |           | SHEET:   |
| APPROVED:   |  |                   |               |           | 3 OF 6   |

| REV | DATE | ECO-CODE | MODIFICATION | PREPARED | APPROVED |
|-----|------|----------|--------------|----------|----------|
|     |      |          | FIRST ISSUE  |          |          |

Weights: 25.9kg(57.1lbs)



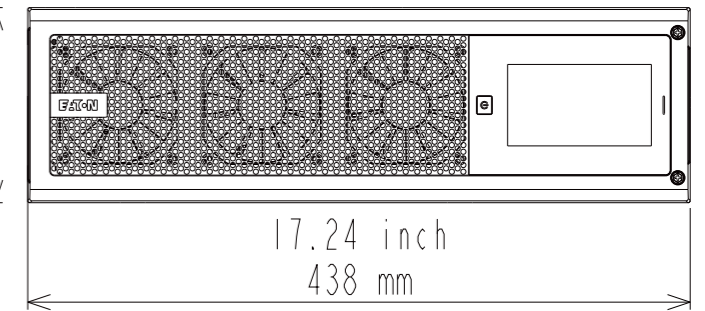
Top View



Rear view



Side View

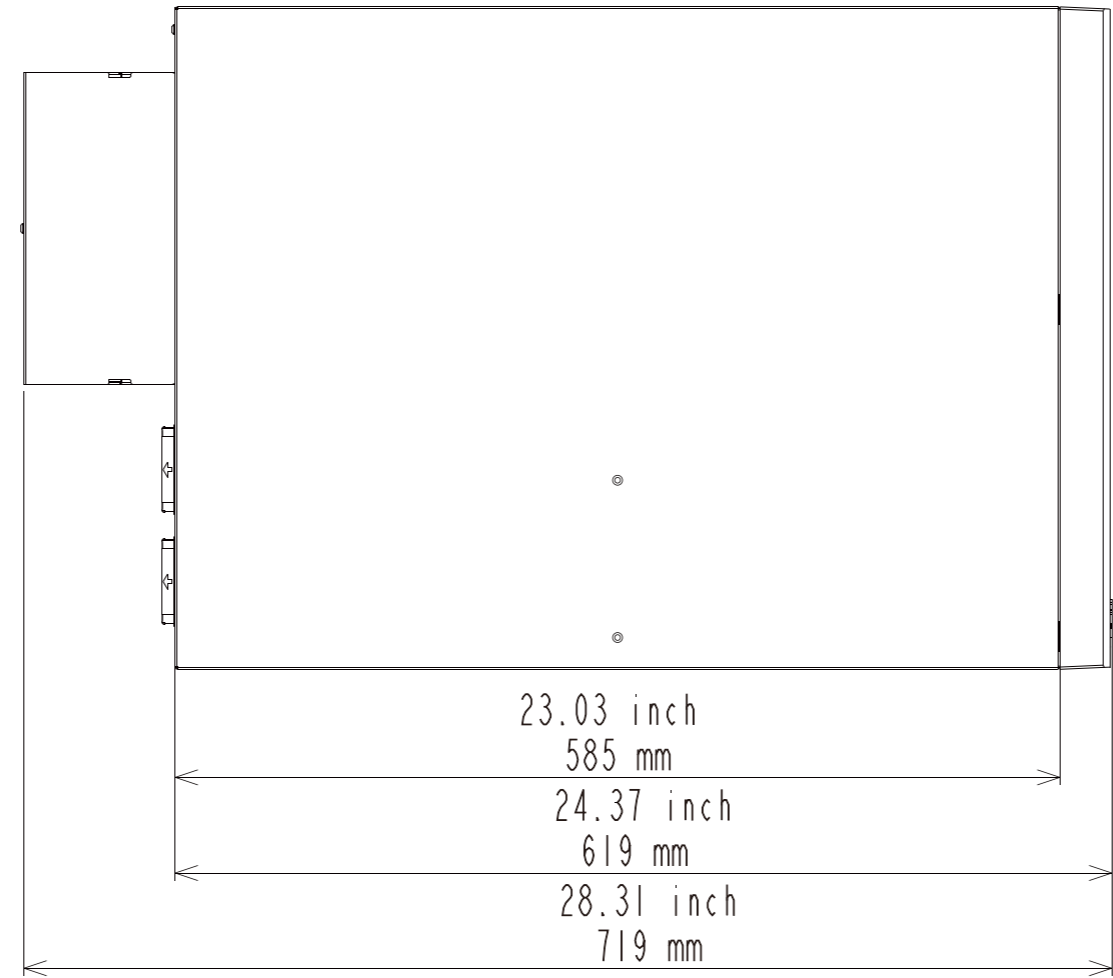


Front View

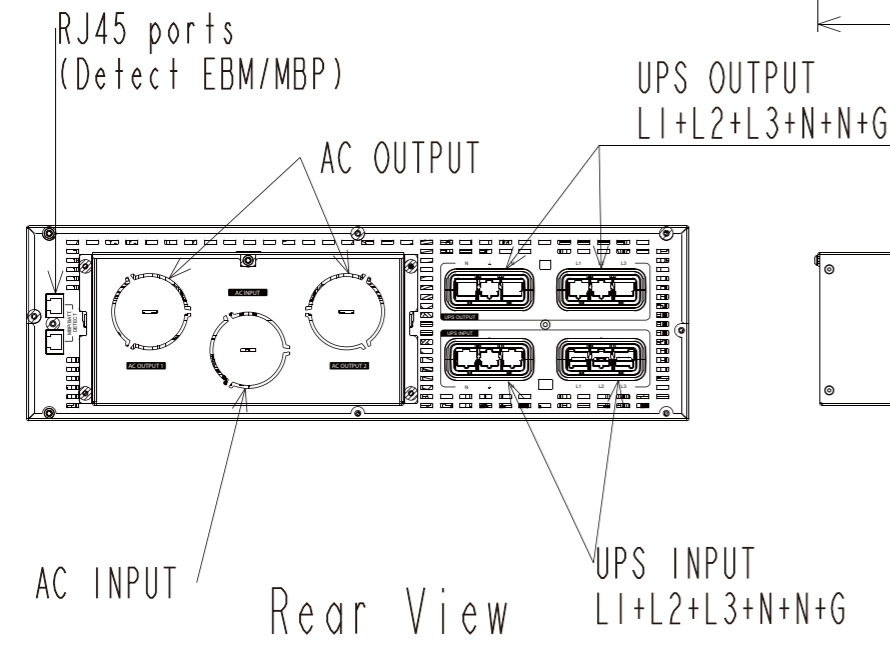
|   |  |                   |                |           |          |
|---|--|-------------------|----------------|-----------|----------|
| METRIC  |  | EATON CORPORATION |                |           |          |
| DIMENSIONS ARE IN MILLIMETERS AFTER PLATING. DIMENSIONS AND TOLERANCES IN ACCORDANCE WITH ASME Y14.5M-1994. SEE NOTES FOR TOLERANCES. |  |                   |                |           |          |
| DESCRIPTION: 15kW and 20kW UPS power module: 93PX15KIPMB and 93PX20KIPMB  |  |                   |                |           |          |
| ORIGINATED:   |  | ECO:              | NAME:          | REVISION: | SIZE: A3 |
| MODIFIED:   |  |                   | 93PX15KIHWN DG |           | SCALE:   |
| CHECKED:  |  | DOCUMENT TYPE:    | 93PX20KIHWN DG | STATE:    | 0.200    |
| SAFETY:   |  | PRO-E DRAWING     |                |           | SHEET:   |
| APPROVED:   |  |                   |                |           | 4 OF 6   |

Weight: 17.35kg(38.25lbs)

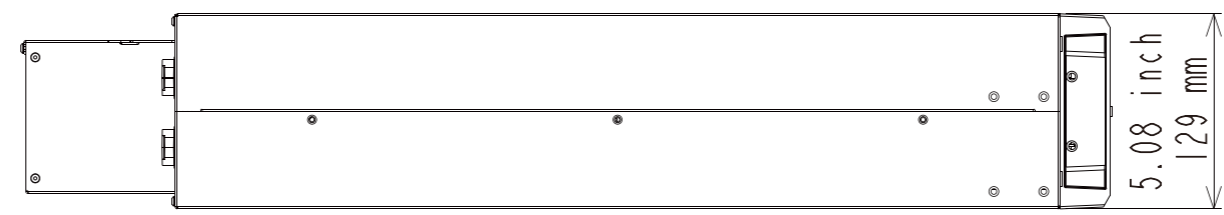
| 7   |      |          | 8            |          |          |
|-----|------|----------|--------------|----------|----------|
| REV | DATE | ECO-CODE | MODIFICATION | PREPARED | APPROVED |
|     |      |          | FIRST ISSUE  |          |          |



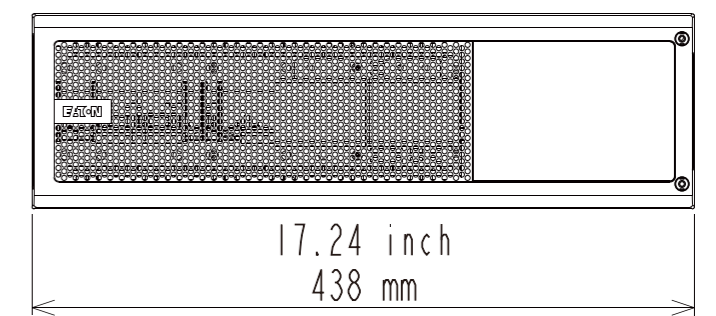
Top view



Rear View



Side View

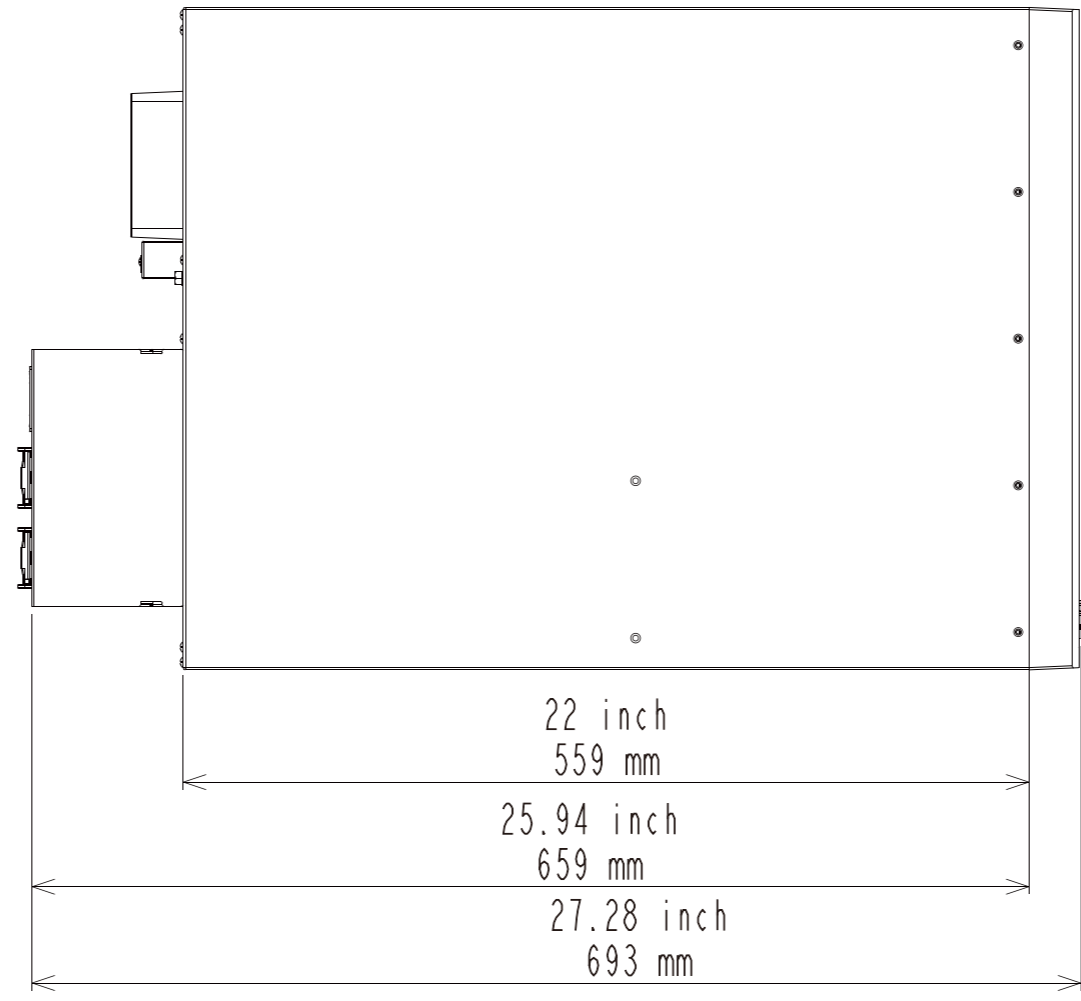


Front View

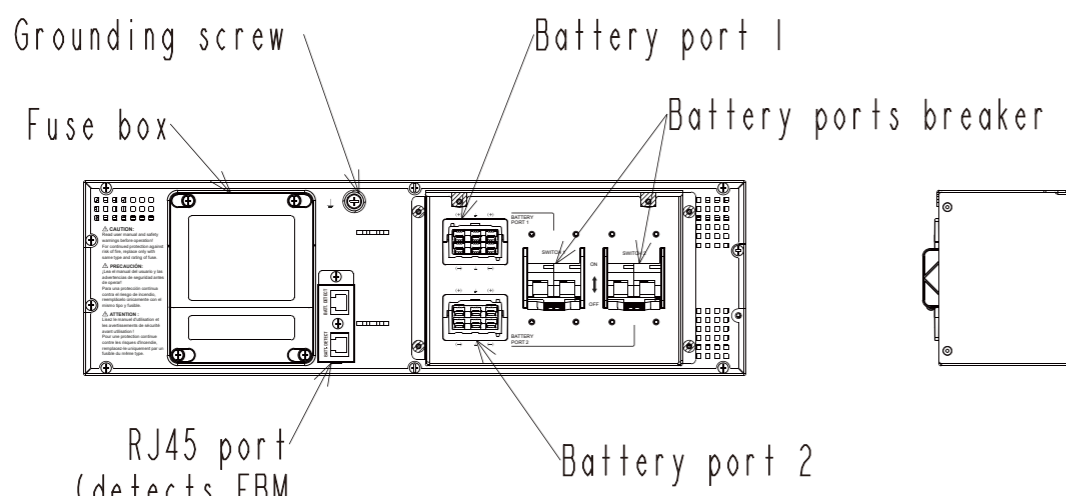
|   |  |                              |                     |           |               |
|---|--|------------------------------|---------------------|-----------|---------------|
| METRIC  |  | EATON CORPORATION            |                     |           |               |
| DIMENSIONS ARE IN MILLIMETERS AFTER PLATING. DIMENSIONS AND TOLERANCES IN ACCORDANCE WITH ASME Y14.5M-1994. SEE NOTES FOR TOLERANCES. |  |                              |                     |           |               |
| DESCRIPTION: MBP: MBP20KIHV   |  |                              |                     |           |               |
| ORIGINATED:   |  | ECO:                         | NAME: 93PX15KIHVNDG | REVISION: | SIZE: A3      |
| MODIFIED:   |  |                              | 93PX20KIHVNDG       | STATE:    | SCALE: 0.200  |
| CHECKED:  |  | DOCUMENT TYPE: PRO-E DRAWING |                     |           | SHEET: 5 OF 6 |
| SAFETY:   |  |                              |                     |           |               |
| APPROVED:   |  |                              |                     |           |               |

| 7   |      |          | 8            |          |          |
|-----|------|----------|--------------|----------|----------|
| REV | DATE | ECO-CODE | MODIFICATION | PREPARED | APPROVED |
|     |      |          | FIRST ISSUE  |          |          |

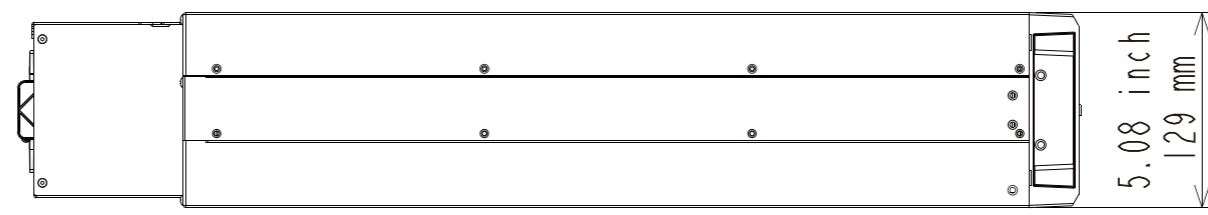
Weight: 62.5kg(137.8lbs) x each  
 Total weight: 125kg(275.6lbs)



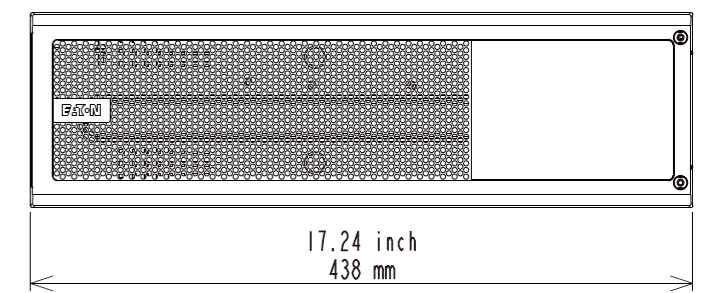
Top View



Rear View



Side View



Front View

|   |  |                   |                |           |          |
|---|--|-------------------|----------------|-----------|----------|
| METRIC  |  | EATON CORPORATION |                |           |          |
| DIMENSIONS ARE IN MILLIMETERS AFTER PLATING. DIMENSIONS AND TOLERANCES IN ACCORDANCE WITH ASME Y14.5M-1994. SEE NOTES FOR TOLERANCES. |  |                   |                |           |          |
| DESCRIPTION: EBM two battery modules: 93PX2EBM480U  |  |                   |                |           |          |
| ORIGINATED:   |  | ECO:              | NAME:          | REVISION: | SIZE: A3 |
| MODIFIED:   |  |                   | 93PX15KIHWN DG |           | SCALE:   |
| CHECKED:  |  | DOCUMENT TYPE:    | 93PX20KIHWN DG | STATE:    | 0.200    |
| SAFETY:   |  | PRO-E DRAWING     |                |           | SHEET:   |
| APPROVED:   |  |                   |                |           | 6 OF 6   |