



The Airedale Terrier PRO Series antennas are high performance, 5G, 600 MHz – 6GHz antennas, available with 4X4 MIMO cellular, 4X4 MIMO Wi-Fi, and optional GPS and Bluetooth. These rugged, IP67 rated antennas are perfect for kiosks, IoT, NEMA enclosures and fixed wireless applications.

The Airedale Terrier antenna with 7 Inch x 4.5 Inch footprints fits perfectly on most of the NEMA enclosures and provide highest performance to 4G or 5G cellular modems that require 4 cellular elements for 4x4 MIMO. This high-performance antenna allows you to get good signal in difficult locations as well.

Patent Pending



1st
to **5G**

Configurations 4:1 | 5:1 | 6:1 | 7:1 | 8:1 | 9:1

IoT | Kiosks | NEMA Enclosures | Fixed Wireless | Remote Video Monitoring



Small Footprint

7.01 Inch x 4.5 Inch x 3.02 Inch, Fits on most NEMA Enclosures

High Data Speeds

Ideal for IoT and Kiosks

Durable

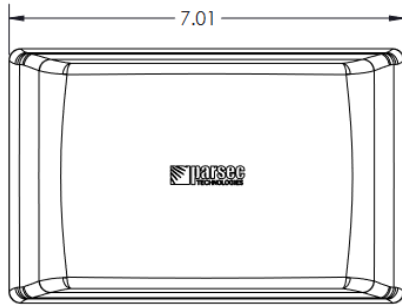
IP67 Rated & Rugged

- 4X4 MIMO CELLULAR
- UP TO 4X4 MIMO WI-FI
- OMNI-DIRECTIONAL
- 600 MHz – 6 GHz
- OPTIONAL GPS/ BLUETOOTH
- 7.01 In x 4.5 In x 3.02 In
- WI-FI 6 COMPATIBLE

Specifications

<i>Frequencies</i>			
4G/5G Cellular	617 – 698 MHz 698 – 894 MHz 1710 – 2200 MHz 2200 – 2700 MHz 3300 – 4000 MHz 5150 – 5925 MHz	Wi-Fi	2400-2483.5 MHz 4900-5900 MHz
<i>4G/5G Bands</i>			
North America	B2, B4, B5, B12, B13, B14, B17, B25, B26, B29, B30, B41, B46, B48, B66, B71 n2, n5, n12, n25, n26, n41, n48, n66, n71, n77		
EMEA	B1, B3, B7, B20, B28, B42, B43, B46 n1, n3, n28, n77, n78		
<i>Mechanical</i>		<i>Environmental</i>	
Dimension	7.01 In x 4.5 In x 3.02 In	Operating Temperature	-30 °C to 85°C OR -22 °F to 180°F
Mounting	Single 1.0 inch	Ingress Protection	IP67

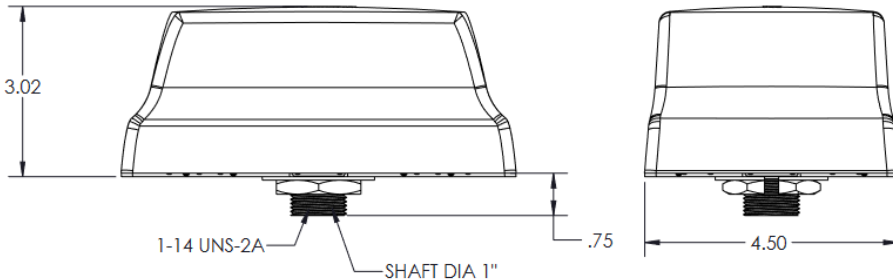
Dimensions



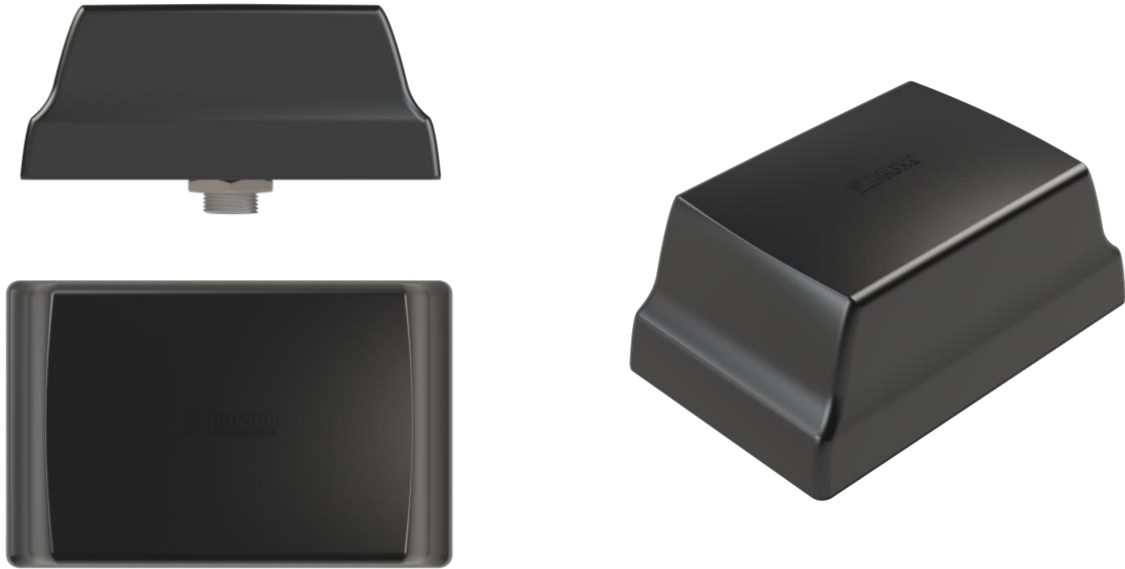
Hardware Accessories Included

PTA0316-316

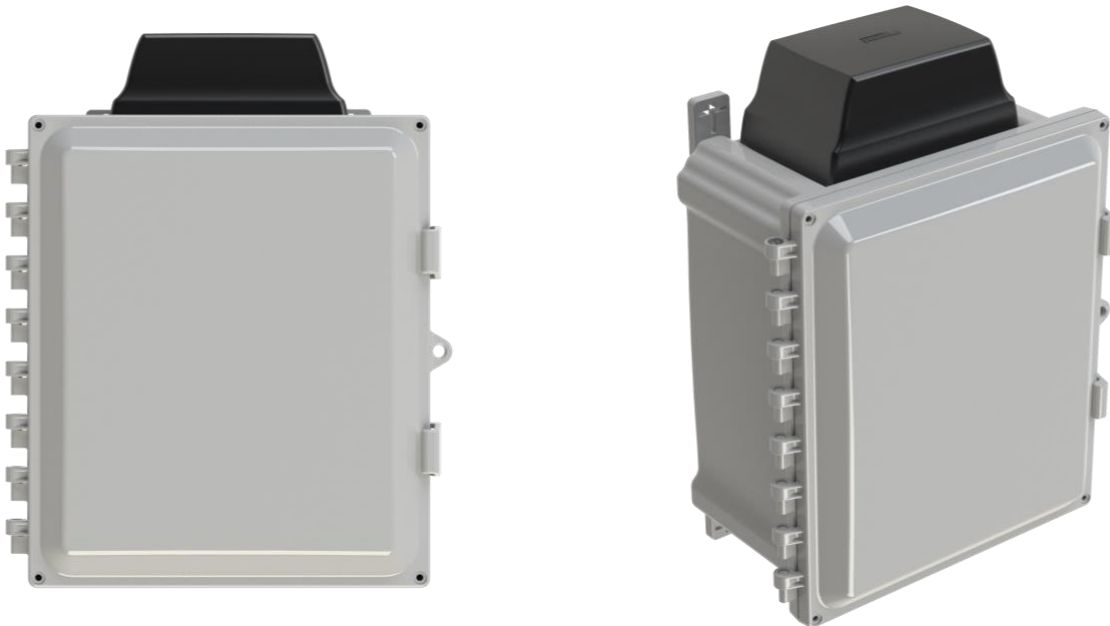
PTA0318-316



Product Images



Product Renderings



Electrical Specifications

<i>ID & Unit</i>	<i>Port</i>	<i>Parameters</i>	<i>Typ.</i>
Radiated Efficiency (%)	CELL 1 thru 4	617 – 698 MHz	60
	CELL 1 thru 4	698 – 894 MHz	65
	CELL 1 thru 4	1710 – 2200 MHz	60
	CELL 1 thru 4	2200 – 2700 MHz	75
	CELL 1 thru 4	3300 – 4000 MHz	80
	CELL 1 thru 4	5150 – 5925MHz	80
	Wi-Fi 1 thru 4	2400-2483.5 MHz	75
	Wi-Fi 1 thru 4	4900-5900 MHz	80
Peak Gain (dBi)	CELL 1 thru 4	617 – 698 MHz	3
	CELL 1 thru 4	698 – 798 MHz	4
	CELL 1 thru 4	798 – 894 MHz	5
	CELL 1 thru 4	1710 – 2200 MHz	4
	CELL 1 thru 4	2200 – 2700 MHz	6
	CELL 1 thru 4	3300 – 4000 MHz	6
	CELL 1 thru 4	5150 – 5925 MHz	7
	Wi-Fi 1 thru 4	2400-2483.5 MHz	7
Return Loss 50Ω (dB)	CELL-1,2,3,4	617 – 698 MHz	5
	CELL-1,2,3,4	698 – 798 MHz	11
	CELL-1,2,3,4	798 – 894 MHz	8
	CELL-1,2,3,4	1710 – 1800 MHz	10
	CELL-1,2,3,4	1800 – 2496 MHz	8
	CELL-1,2,3,4	2496 – 2700 MHz	10
	CELL-1,2,3,4	3300 – 4000 MHz	12
	CELL-1,2,3,4	5150 – 5925 MHz	9
	WiFi-1,2,3,4	2400 – 2483.5 MHz	12
	WiFi-1,2,3,4	4900 – 5150 MHz	8
	WiFi-1,2,3,4	5150 – 5900 MHz	11
Isolation (dB)	CELL	617 – 859 MHz	9
	CELL	859 – 894 MHz	11
	CELL	1710 – 1930 MHz	11
	CELL	1930 – 2700 MHz	13
	CELL	3300 – 4000 MHz	15
	CELL	5150 – 5925 MHz	23
	WiFi	2400 – 2483.5 MHz	9
	WiFi	4900 – 5900 MHz	15
Polarization	CELL, Wi-Fi		Linear
Max Input Power (Watts)	CELL, Wi-Fi		10
RF Connectors	CELL		SMA(M)

	Wi-Fi		RPSMA(M)
RF Cable Type	CELL		LSR200
	Wi-Fi		LSR100
<ul style="list-style-type: none"> • Electrical Specifications based on antenna with a 2 ft x 2 ft external ground plane. • Isolation, peak gain, and return loss does not include cable loss. • SMA connectors have a max torque of 3–5-inch lbs. • NF connectors have a max torque of 6.2–9.7-inch lbs. • The maximum cable length for the Wi-Fi configurations is 6 FT. • Parsec is currently phasing out inventory with LTE on our cellular cables (now labeled CELL). For cables labeled LTE, please refer port "CELL" in the data sheets and installation instructions. 			

GNSS Electrical Specifications

ID & Unit	Port	Parameters	Typ.
Antenna + Preamp Gain (dBi)	GPS	1570-1581 MHz	33
Polarization	GPS		RHCP
Filter Rejection (dB)	GPS	1625 MHz	12
GNSS Preamp Voltage (mA)	GPS		2.2 to 5
GNSS Preamp Current (mA)	GPS		5 to 15
RF Connector	GPS		SMA(M)
RF Cable Type	GPS		LSR100

Part Number Key

Part number example of an 8:1 Airedale Terrier antenna, black: PRO8AT4L2WBG06B

Description	Abbreviation	Part Number
All PTA Series	PRO	PRO
Number of Antennas in Housing/Configuration	8:1	PRO8
Antenna Abbreviation for Airedale Terrier	AT	PRO8AT
Number of CELL Elements	#L	PRO8AT4L
Number of Wi-Fi Elements	#W	PRO8AT4L2W
Number of Bluetooth Elements (usually only 1 Bluetooth per antenna, therefore we simply list B and no number)	B	PRO 8AT4L2WB
Number of GPS Elements (usually only 1 GPS per antenna, therefore we simply list G and no number)	G	PRO8AT4L2WBG
Cable Length Measured in Feet: 01=1', 15=15'	01, 03, 06, 15, etc.,	PRO8AT4L2WBG06
Radome Color - B for Black	B	PRO8AT4L2WBG06B
If SMA Connector, Simply Leave Blank		PRO8AT4L2WBG06B
Custom connectors and cable kits are available. Please contact us for more information at sales@parsec-t.com.		

Ordering

Standard Antennas

<i>Configurations</i>	<i>Part Number</i>	<i>Description</i>
4:1	PRO4AT4L03B	4 Cellular, 3 ft Cable Black
	PRO4AT4L06B	4 Cellular, 6 ft Cable, Black
7:1	PRO7AT4L2WG03B	4 Cellular, 2 Wi-Fi, GPS, 3 ft Cable, Black
	PRO7AT4L2WG06B	4 Cellular, 2 Wi-Fi, GPS, 6 ft Cable, Black

Non-Standard Antennas

<i>Configurations</i>	<i>Part Number</i>	<i>Description</i>
4:1	PRO4AT4L01B	4 Cellular, 1 ft Cable, Black
	PRO4AT4L15B	4 Cellular, 15 ft Cable Black
5:1	PRO5AT4LG01B	4 Cellular, GPS, 1 ft Cable, Black
	PRO5AT4LG03B	4 Cellular, GPS, 3 ft Cable Black
	PRO5AT4LG06B	4 Cellular, GPS, 6 ft Cable, Black
	PRO5AT4LG15B	4 Cellular, GPS, 15 ft Cable Black
7:1	PRO7AT4L2WG01B	4 Cellular, 2 Wi-Fi, GPS, 1 ft Cable, Black
8:1	PRO8AT4L2WBG01B	4 Cellular, 2 Wi-Fi, Bluetooth, GPS, 1 ft Cable Black
	PRO8AT4L2WG03B	4 Cellular, 2 Wi-Fi, Bluetooth, GPS, 3 ft Cable Black
	PRO8AT4L2WBG06B	4 Cellular, 2 Wi-Fi, Bluetooth, GPS, 6 ft Cable Black
9:1	PRO9AT4L4WG01B	4 Cellular, 4 Wi-Fi, GPS, 1 ft Cable, Black
	PRO9AT4L4WG03B	4 Cellular, 4 Wi-Fi, GPS, 3 ft Cable, Black
	PRO9AT4L4WG06B	4 Cellular, 4 Wi-Fi, GPS, 6 ft Cable, Black

Additional Hardware Accessories

<i>Accessory</i>	<i>Part Number</i>
Magnetic Mount	PTA0330
Replacement Rooftop Gasket	PTA0955
Hardware Kit for 1" Shaft - Nut/Washer	PTA0760
1" Star Washer	PTA0251
Ground plane with adhesive back, 20in x 20in, can be cut to size	PTA0587
Surge Arrestor - SMA(F) to SMA(F)	PTA0476
Surge Arrestor - N(F) to N(M)	PTA0736
Pole Mount Bracket Assembly, 1" Hole	PTA0149
SMA Wrench, Key Chain	PTA0194
Service: Cable Sleeving (priced per ft)	Cable Sleeving



Parsec Antennas

972-804-4600

support@parsec-t.com

Last Revised: 12.12.24

