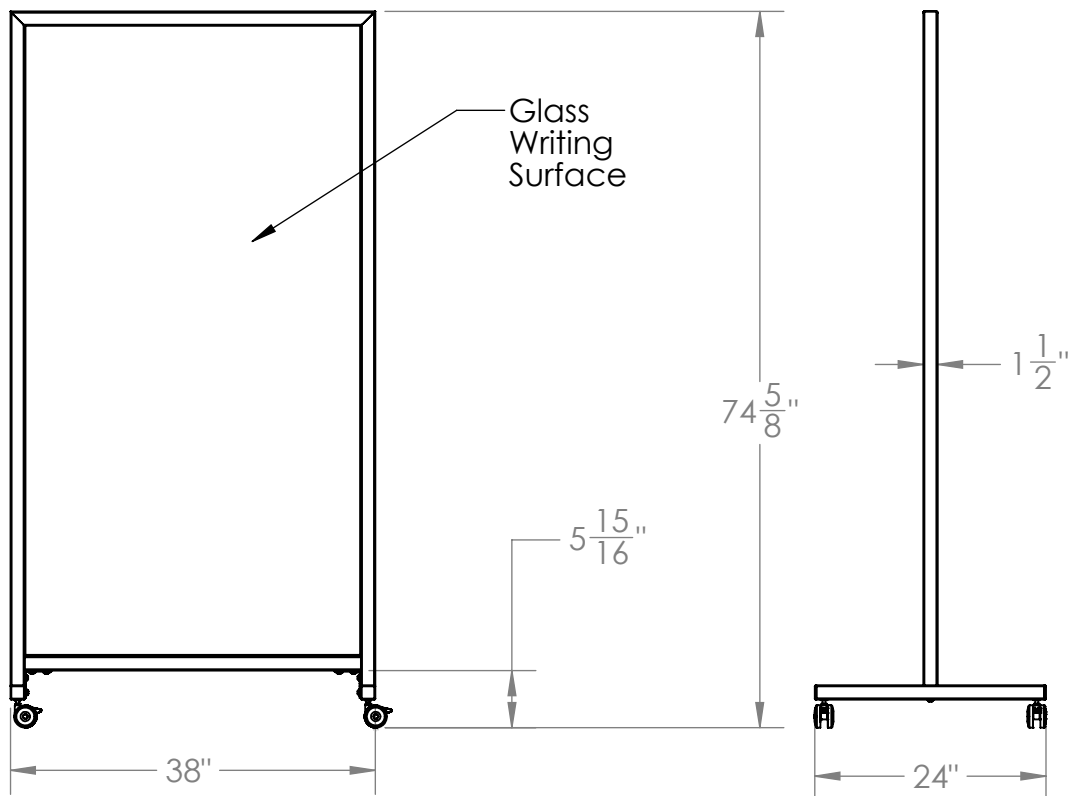


EZ Glass Mobile / EZ1XA7538XX

Product Specifications



Materials:

- Board Surface: 1/8" thick tempered low iron glass.
- Frame: Satin anodized aluminum.

Features:

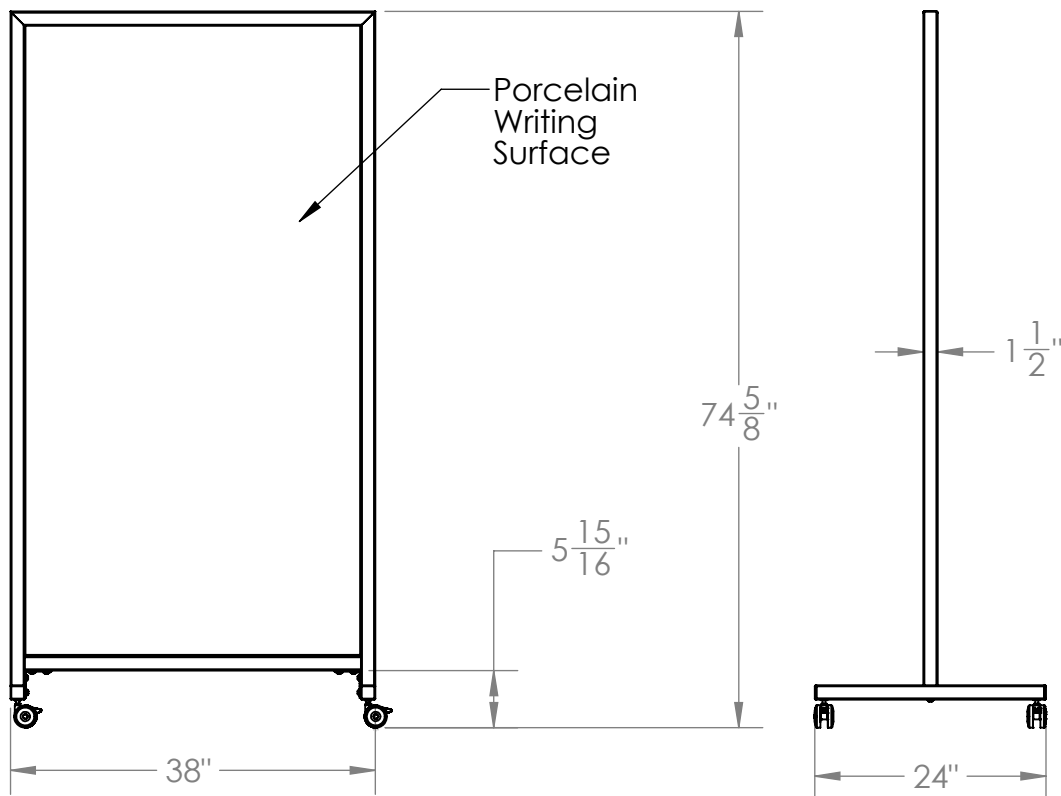
- Available in magnetic or non-magnetic.
- Available in standard and custom colors using water based paint.
- 4 locking casters.
- Board is guaranteed for 10 years.

Notes:

- Indoor use only.
- Some assembly required.
- Net Unit Weight: 90 1/2 Lbs. (Magnetic), 73 Lbs. (Non-Magnetic)

EZ Porcelain Mobile / EZ6MA7538

Product Specifications



Materials:

- Board Surface: White porcelain coated 28 Gauge steel.
- Frame: Satin anodized aluminum.

Features:

- Magnetic writing surface.
- 4 locking casters.
- Board is guaranteed for 10 years.

Notes:

- Indoor use only.
- Some assembly required.
- Net Unit Weight: 60 Lbs.