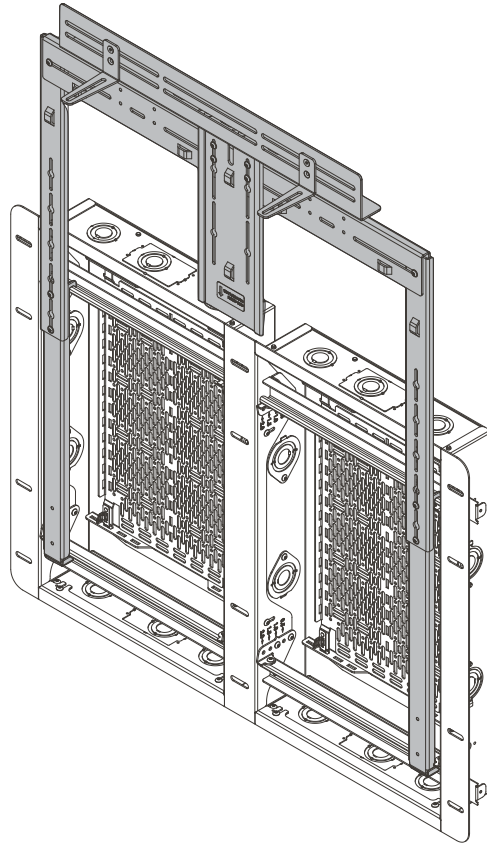

INSTALLATION INSTRUCTIONS



In-Wall Soundbar Shelf

CHIEF[®]

A brand of **legrand**[®]

FPIWMA101

DISCLAIMER

Legrand | AV and its affiliated corporations and subsidiaries (collectively "Legrand | AV"), intend to make this manual accurate and complete. However, Legrand | AV makes no claim that the information contained herein covers all details, conditions or variations, nor does it provide for every possible contingency in connection with the installation or use of this product. The information contained in this document is subject to change without notice or obligation of any kind. Legrand | AV makes no representation of warranty, expressed or implied, regarding the information contained herein. Legrand | AV assumes no responsibility for accuracy, completeness or sufficiency of the information contained in this document.

Chief® is a registered trademark of Legrand AV Inc.

DEFINITIONS

MOUNTING SYSTEM: A MOUNTING SYSTEM is the primary Chief product to which an accessory and/or component is attached.

ACCESSORY: AN ACCESSORY is the secondary Chief product which is attached to a primary Chief product, and may have a component attached or setting on it.

COMPONENT: A COMPONENT is an audiovisual item designed to be attached or resting on an accessory or mounting system such as a video camera, CPU, screen, display, projector, etc.



WARNING: A WARNING alerts you to the possibility of serious injury or death if you do not follow the instructions.



CAUTION: A CAUTION alerts you to the possibility of damage or destruction of equipment if you do not follow the corresponding instructions.



IMPORTANT SAFETY INSTRUCTIONS



WARNING: Failure to read, thoroughly understand, and follow all instructions can result in serious personal injury, damage to equipment, or voiding of factory warranty! It is the installer's responsibility to make sure all accessories are properly assembled and installed using the instructions provided.



WARNING: Failure to provide adequate structural strength for this accessory can result in serious personal injury or damage to equipment! It is the installer's responsibility to make sure the structure to which this accessory is attached can support five times the combined weight of all equipment. Reinforce the structure as required before installing the accessory.



WARNING: Exceeding the weight capacity can result in serious personal injury or damage to equipment! It is the installer's responsibility to make sure the combined weight of all components attached to accessory does not exceed 10 lbs (4.54 kg).



WARNING: Use this accessory only for its intended use as described in these instructions. Do not use attachments not recommended by the manufacturer.



WARNING: Never operate this accessory if it is damaged. Return the accessory to a service center for examination and repair.



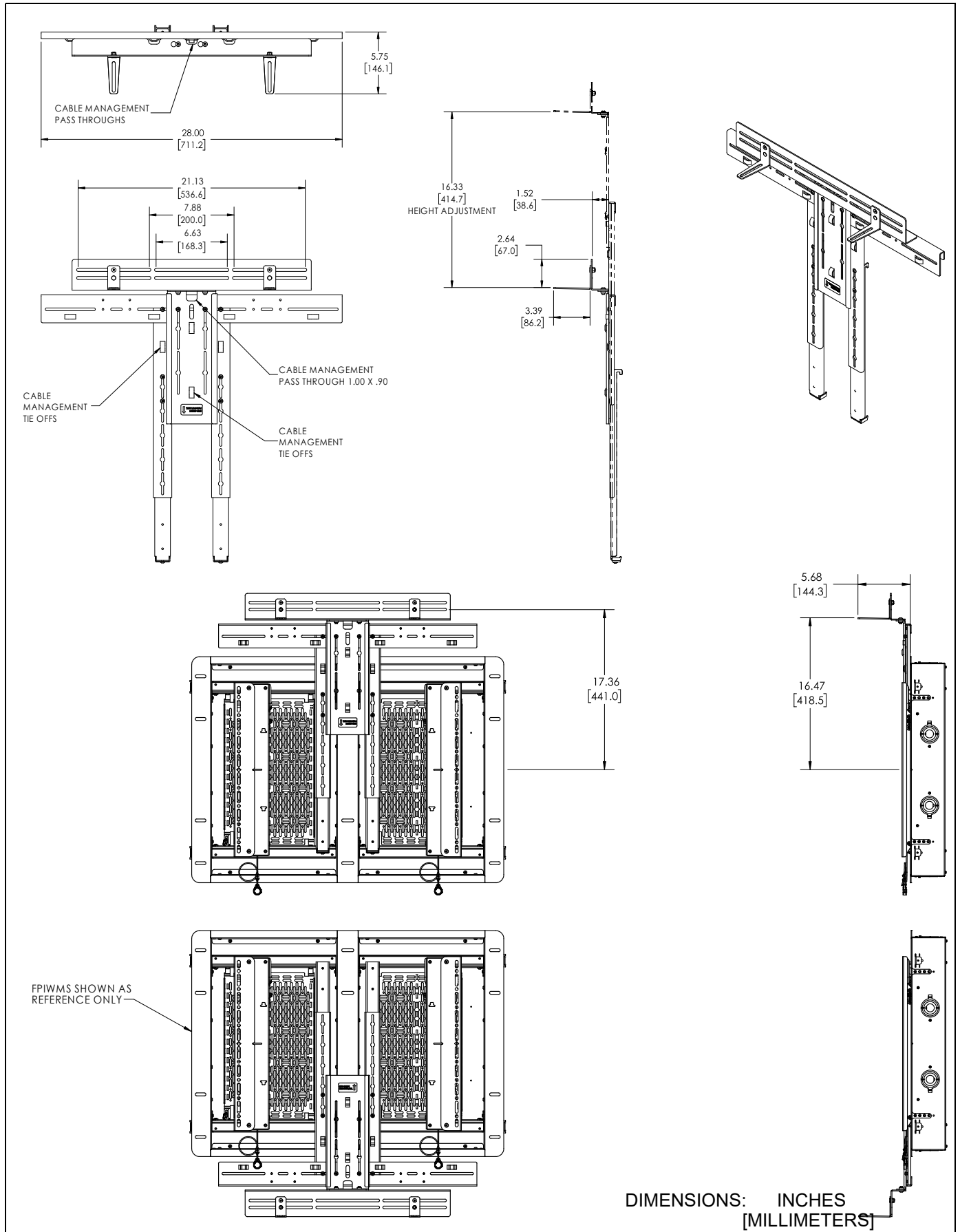
WARNING: Do not use this accessory outdoors.



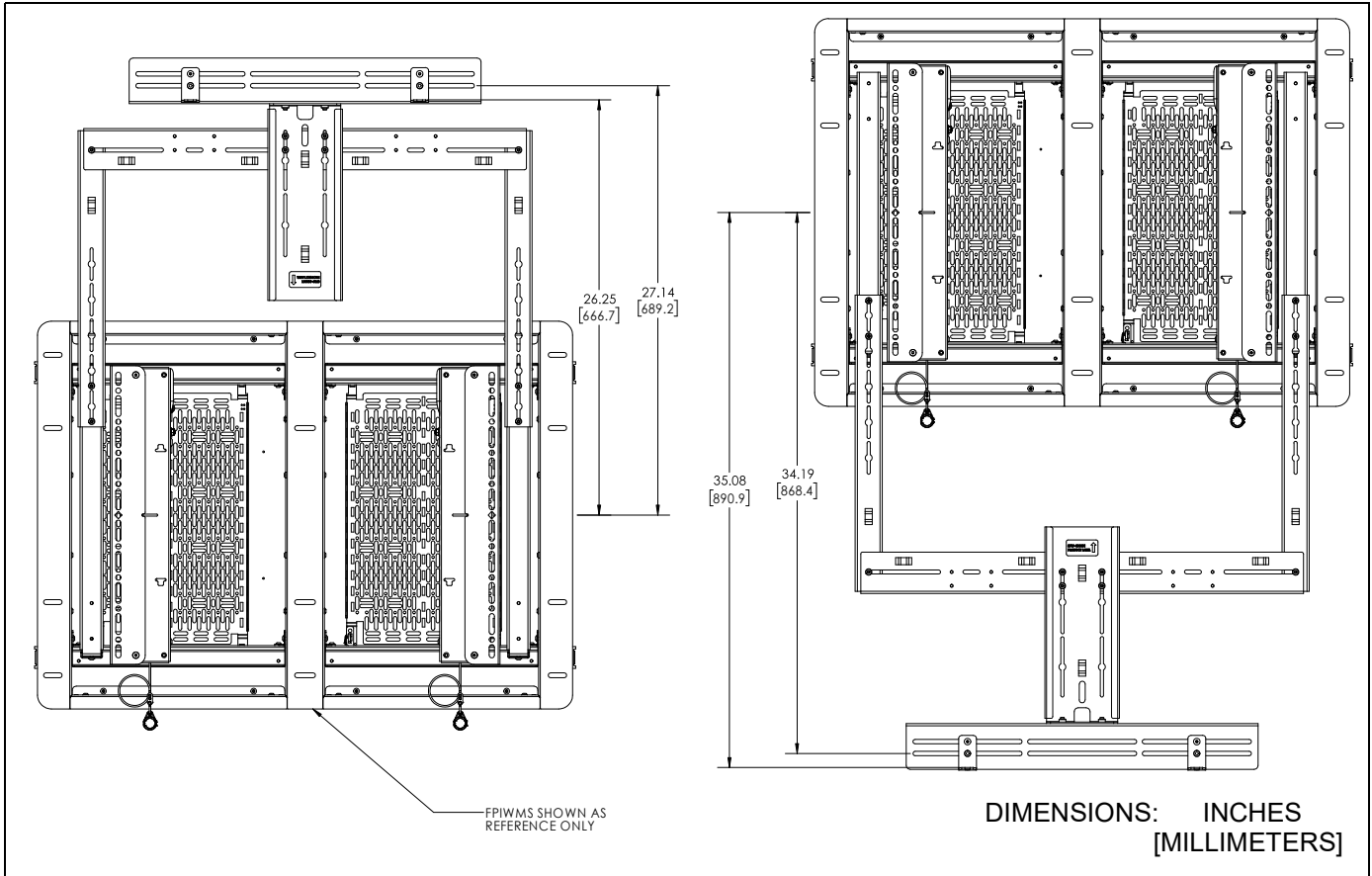
WARNING: RISK OF INJURY TO PERSONS! Do not place video equipment such as televisions or computer monitors on camera shelf.

--SAVE THESE INSTRUCTIONS--

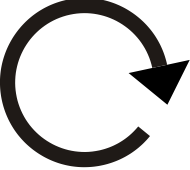

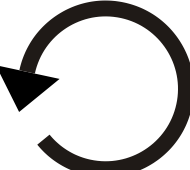



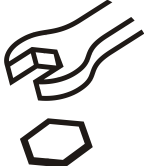





DIMENSIONS



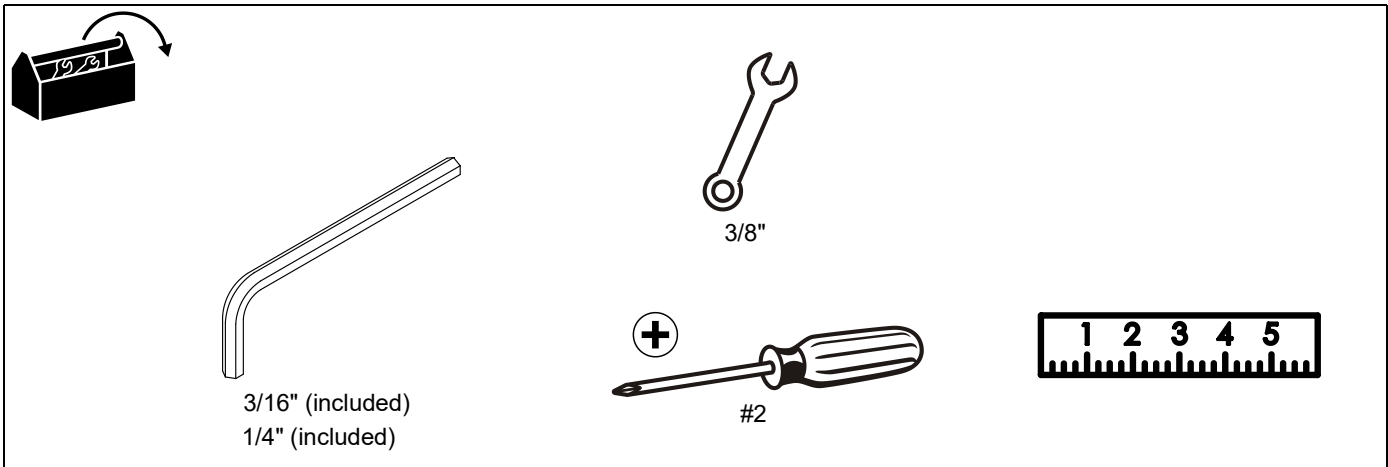
DIMENSIONS (CONTINUED)



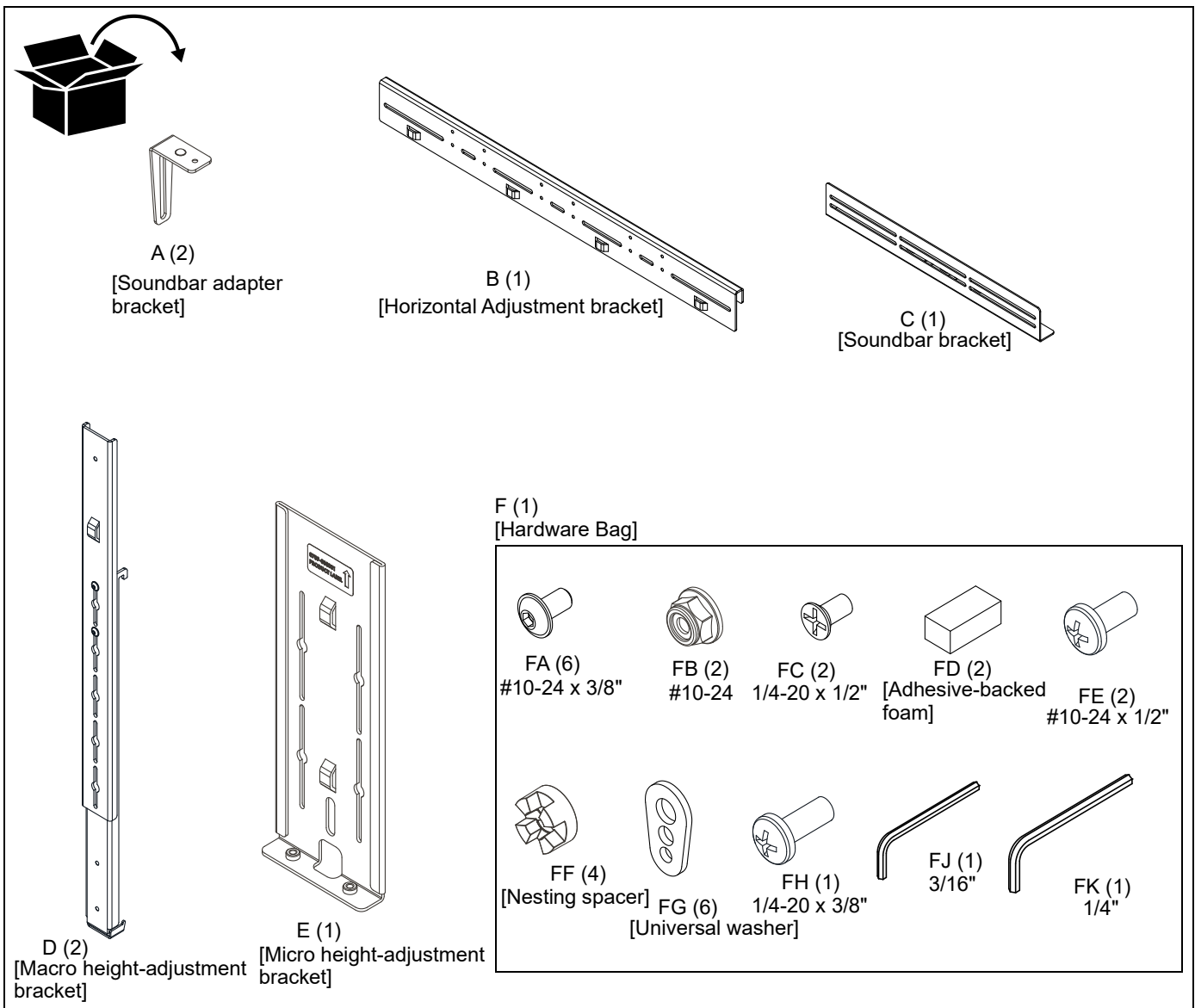
LEGEND

	<p>Tighten Fastener</p> <p>Apretar elemento de fijación</p> <p>Befestigungsteil festziehen</p> <p>Apertar fixador</p> <p>Serrare il fissaggio</p> <p>Bevestiging vastdraaien</p> <p>Serrez les fixations</p>		<p>Pencil Mark</p> <p>Marcar con lápiz</p> <p>Stiftmarkierung</p> <p>Marcar com lápis</p> <p>Segno a matita</p> <p>Potloodmerkten</p> <p>Marquage au crayon</p>
	<p>Loosen Fastener</p> <p>Aflojar elemento de fijación</p> <p>Befestigungsteil lösen</p> <p>Desapertar fixador</p> <p>Allentare il fissaggio</p> <p>Bevestiging losdraaien</p> <p>Desserrez les fixations</p>		<p>Drill Hole</p> <p>Perforar</p> <p>Bohrloch</p> <p>Fazer furo</p> <p>Praticare un foro</p> <p>Gat boren</p> <p>Percez un trou</p>
	<p>Phillips Screwdriver</p> <p>Destornillador Phillips</p> <p>Kreuzschlitzschraubendreher</p> <p>Chave de fendas Phillips</p> <p>Cacciavite a stella</p> <p>Kruiskopschroevendraaier</p> <p>Tournevis à pointe cruciforme</p>		<p>Adjust</p> <p>Ajustar</p> <p>Einstellen</p> <p>Ajustar</p> <p>Regolare</p> <p>Afstellen</p> <p>Ajuster</p>
	<p>Open-Ended Wrench</p> <p>Llave de boca</p> <p>Gabelschlüssel</p> <p>Chave de bocas</p> <p>Chiave a punte aperte</p> <p>Steeksleutel</p> <p>Clé à fourche</p>		<p>Remove</p> <p>Quitar</p> <p>Entfernen</p> <p>Remover</p> <p>Rimuovere</p> <p>Verwijderen</p> <p>Retirez</p>
	<p>By Hand</p> <p>A mano</p> <p>Von Hand</p> <p>Com a mão</p> <p>A mano</p> <p>Met de hand</p> <p>À la main</p>		<p>Optional</p> <p>Opcional</p> <p>Optional</p> <p>Opcional</p> <p>Opzionale</p> <p>Optie</p> <p>En option</p>
	<p>Hex-Head Wrench</p> <p>Llave de cabeza hexagonal</p> <p>Sechskantschlüssel</p> <p>Chave de cabeça sextavada</p> <p>Chiave esagonale</p> <p>Zeskantsleutel</p> <p>Clé à tête hexagonale</p>		<p>Security Wrench</p> <p>Llave de seguridad</p> <p>Sicherheitsschlüssel</p> <p>Chave de segurança</p> <p>Chiave di sicurezza</p> <p>Veiligheidsleutel</p> <p>Clé de sécurité</p>

TOOLS REQUIRED FOR INSTALLATION



PARTS



Assembly And Installation

Installation to FPIWMKIT mount

1. Hang macro height-adjustment brackets (D) onto FPIWMKIT upper rail lip on bracket. (See Figure 1)

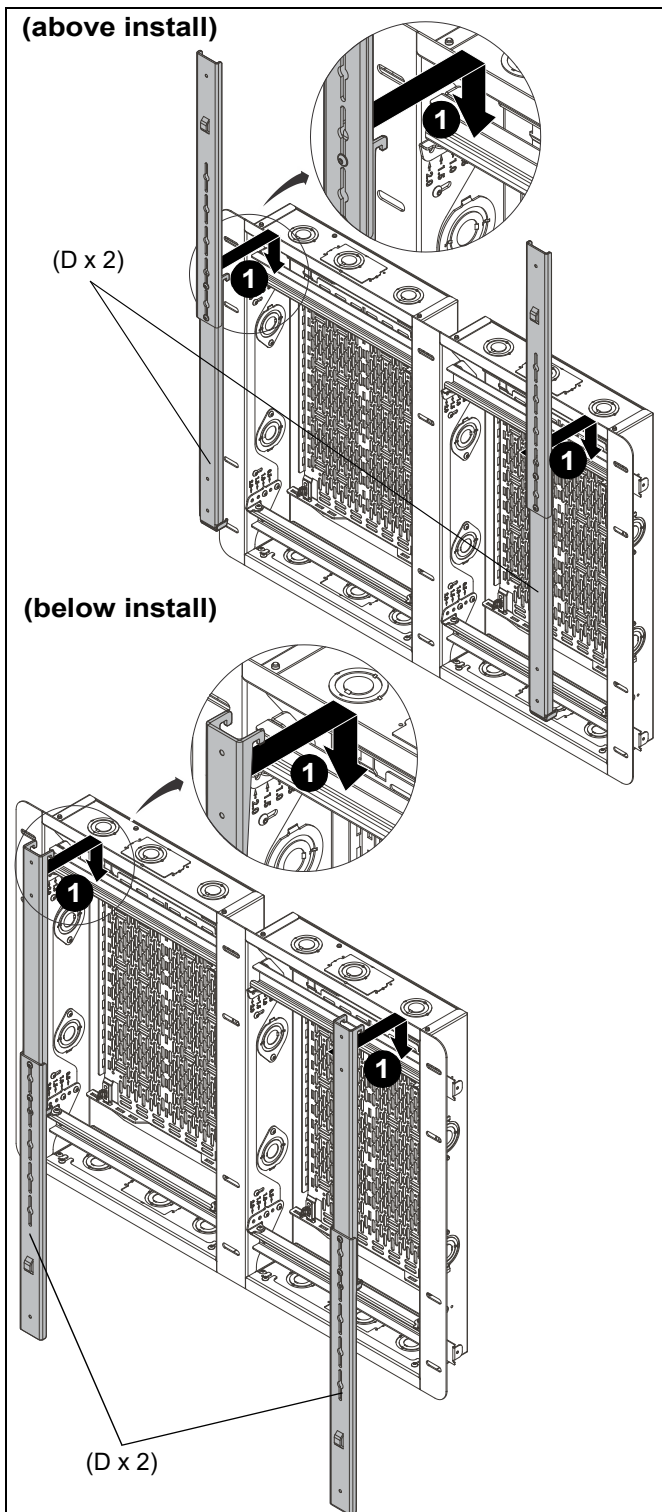


Figure 1

NOTE: If installing below, disassemble macro height-adjustment brackets (D) and reassemble by rotating attachment section of bracket. (See Figure 2)

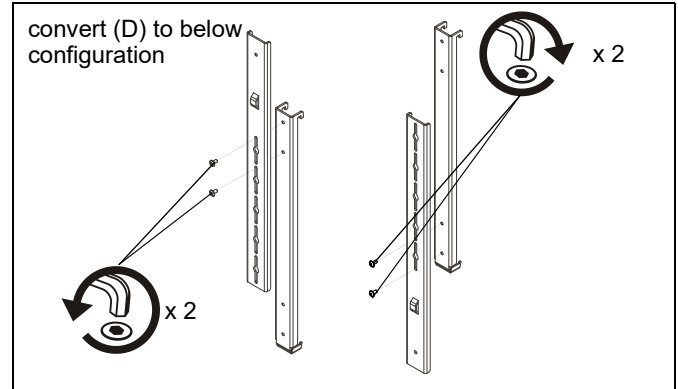


Figure 2

2. Use two #10-24 x 3/8" button head cap screws (FA) to secure horizontal adjustment bracket (B) to two macro height-adjustment brackets (D). (See Figure 3)

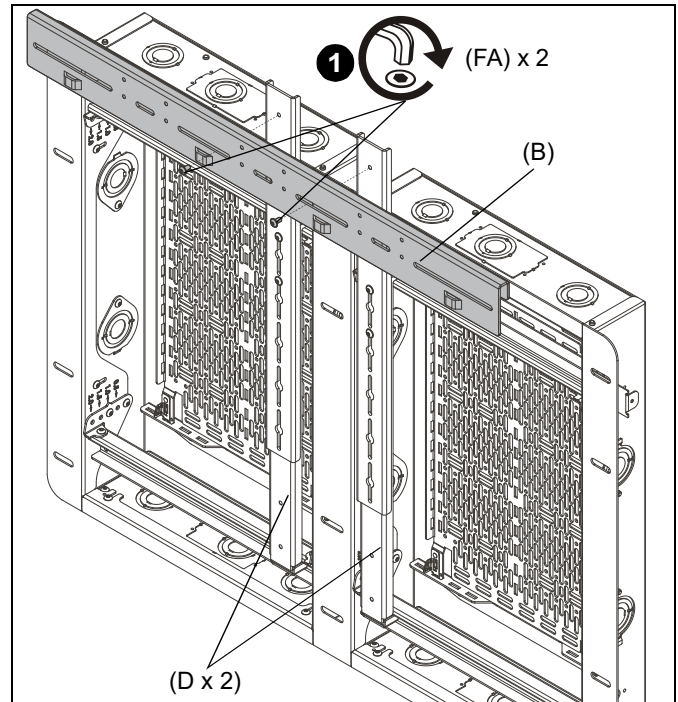


Figure 3

3. Tighten screws at bottom of macro height-adjustment brackets (D) to secure brackets to lower rails. (See Figure 4)

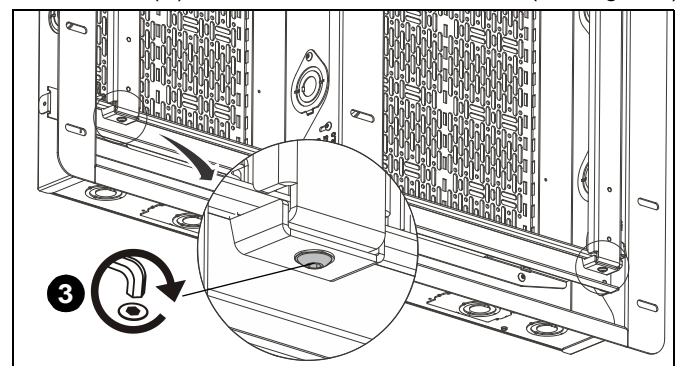


Figure 4

- Use two 1/4-20 x 1/2" button head cap screws (FD) to secure soundbar bracket (C) to micro height-adjustment bracket (E). (See Figure 5)

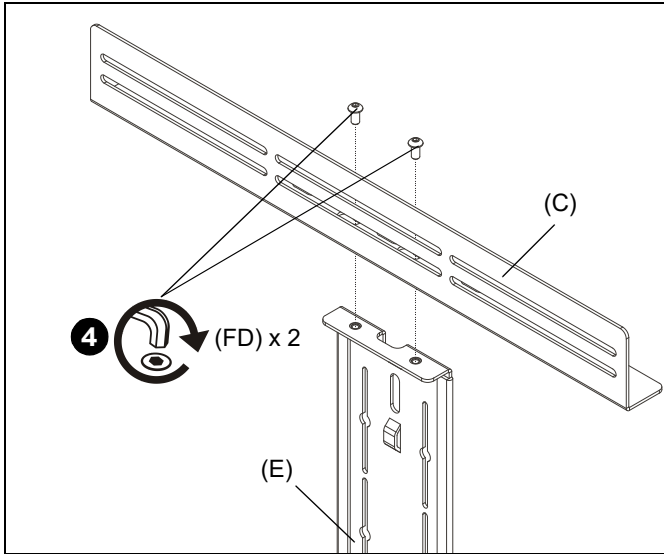


Figure 5

- Loosely install two #10-24 x 3/8" button head cap screws (FA) into lower holes in center of horizontal adjustment bracket (B). (See Figure 6)
- Hang micro height adjustment bracket (E) onto two partially installed screws (FA). (See Figure 6)

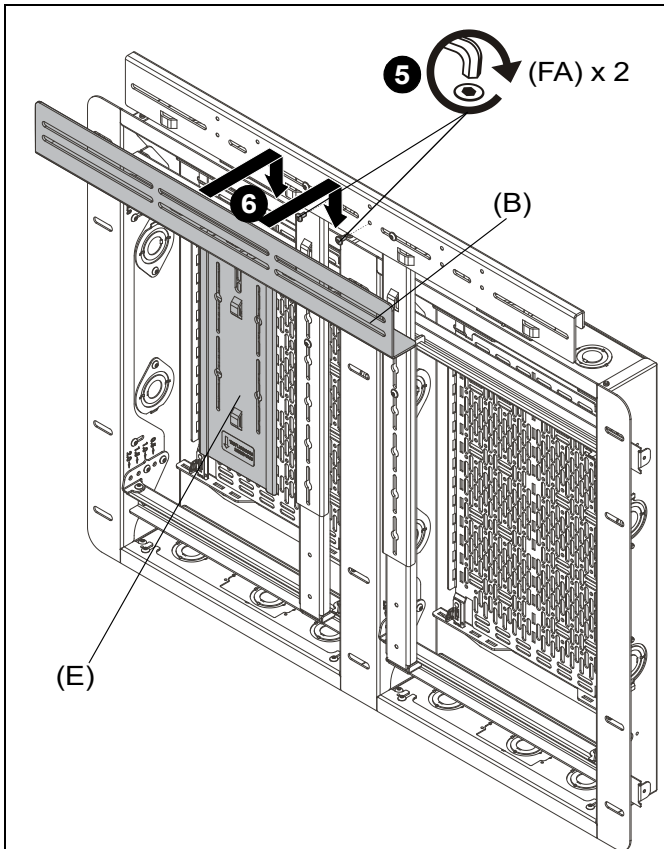


Figure 6

- Move shelf vertically to desired mounting height. (See Figure 7)
- Tighten screws to secure camera shelf at desired mounting height. (See Figure 7)
- Install two additional #10-24 x 3/8" button head cap screws (FA) to secure micro height-adjustment bracket to horizontal bracket (B). (See Figure 7)

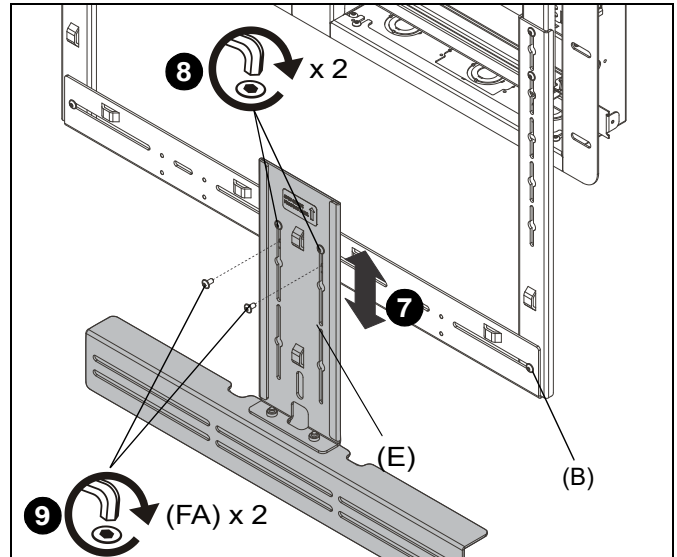


Figure 7

NOTE: If desired mounting height is a location where screws are aligned with keyhole locations, use universal washers (FG) to secure shelf in position. (See Figure 8)

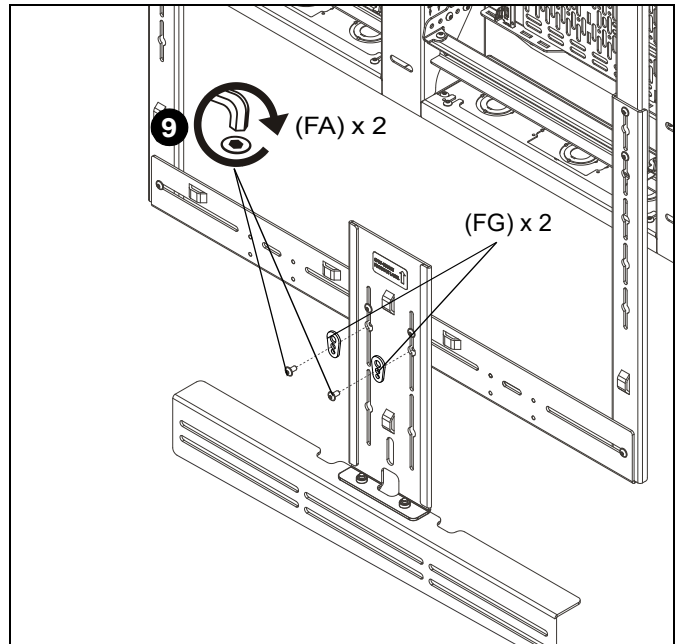


Figure 8

- (Optional) Apply adhesive foam pads (FD) to back of micro height-adjustment bracket (E) as desired. (See Figure 9)

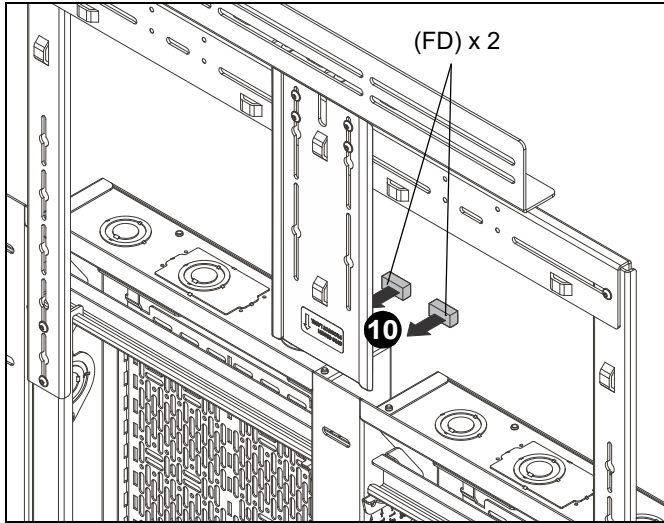


Figure 9

NOTE: For soundbars with mounting holes on the bottom, soundbar adapter brackets (A) will be required. If soundbar mounting holes are on the back, proceed to **Camera Installation Section**.

- Use 1/4-20 x 1/2" Phillips flat head cap screws (FC) and #10-24 lock nuts (FB) to secure soundbar adapter brackets (A) to soundbar bracket (C). (See Figure 10)

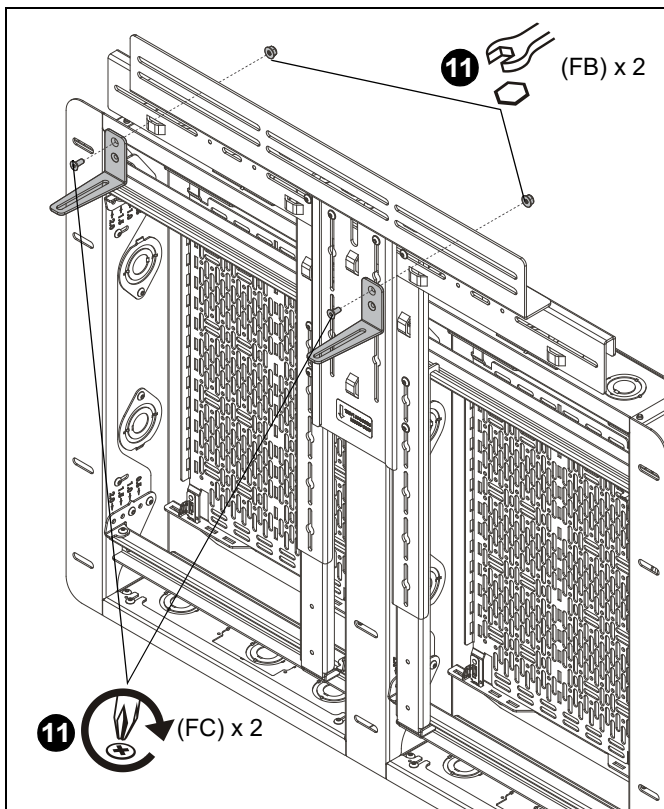


Figure 10

Soundbar Installation



WARNING: Exceeding the weight capacity can result in serious personal injury or damage to equipment! It is the installer's responsibility to make sure the combined weight of all components attached to accessory does not exceed 10 lbs (4.54 kg).

- Use 1/4-20 x 1/2" button head cap screws (FE) or hardware supplied with soundbar to secure soundbar from back to soundbar bracket (C). (See Figure 11)

NOTE: Nesting spacers (FF) may be used as needed if the soundbar needs to be spaced further out from the display.

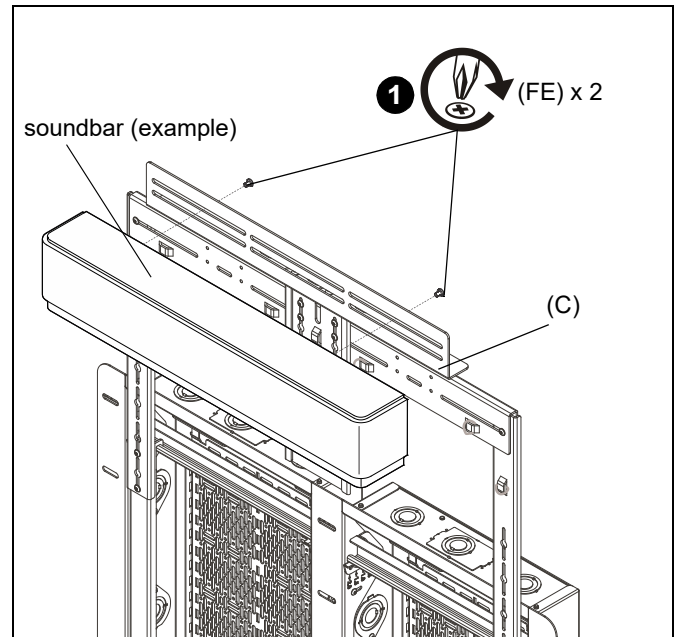


Figure 11

- (Using Adapters) Use hardware included with soundbar to attach soundbar to soundbar adapters (A). (See Figure 12)

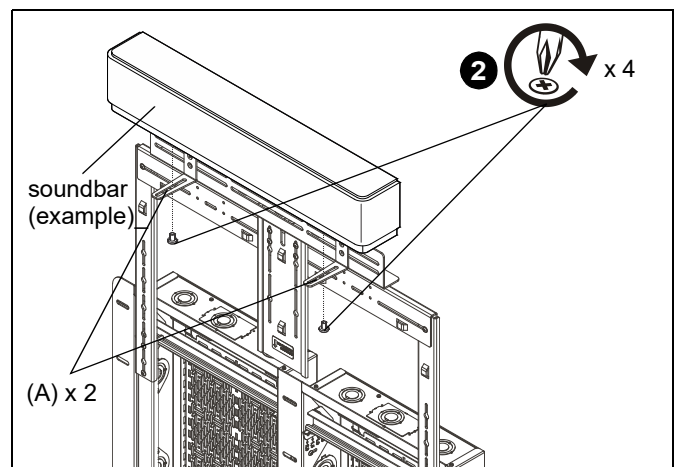


Figure 12

Adjustments

Micro Height-adjustment

1. Loosen screws on micro height-adjustment bracket. (See Figure 13)
2. Adjust to desired height. (See Figure 13)
3. Tighten screws on micro height-adjustment bracket. (See Figure 13)

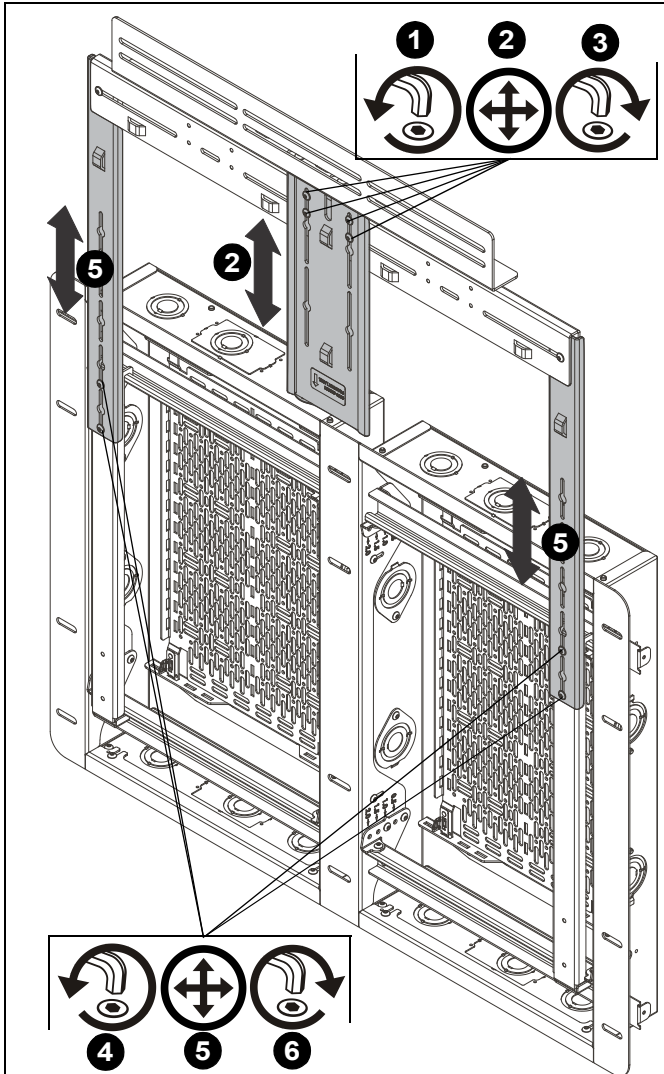


Figure 13

Macro Height-adjustment

4. Loosen screws on macro height-adjustment brackets. (See Figure 13)
5. Adjust to desired height. (See Figure 13)
6. Tighten screws on macro height-adjustment brackets. (See Figure 13)

Cable Management

1. Use cable ties (not included) to secure cables as desired to mount utilizing tabs on brackets. (See Figure 14)

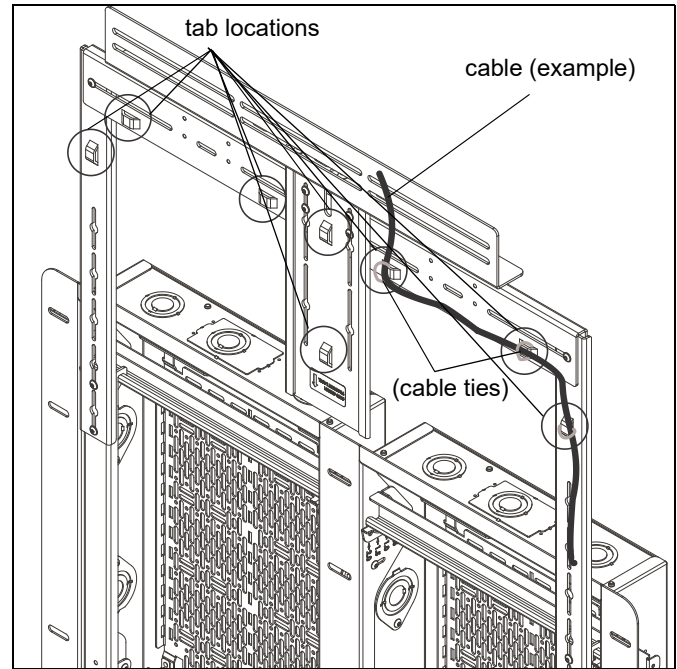


Figure 14

CHIEF®

A brand of  **legrand®**

8800-003415 Rev00
©2024 Legrand | AV
www.legrandav.com
06/2024

USA/International	A 6436 City West Parkway, Eden Prairie, MN 55344 P 800.582.6480 / 952.225.6000 F 877.894.6918 / 952.894.6918
Europe	A Franklinstraat 14, 6003 DK Weert, Netherlands P +31 (0) 495 580 852 F +31 (0) 495 580 845
Asia Pacific	A Office No. 918 on 9/F, Shatin Galleria 18-24 Shan Mei Street Fotan, Shatin, Hong Kong P 852 2145 4099 F 852 2145 4477

