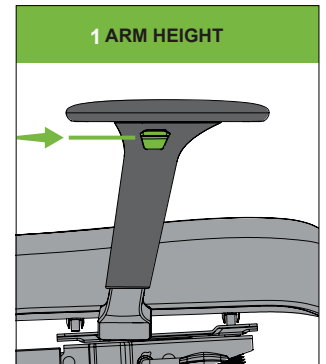
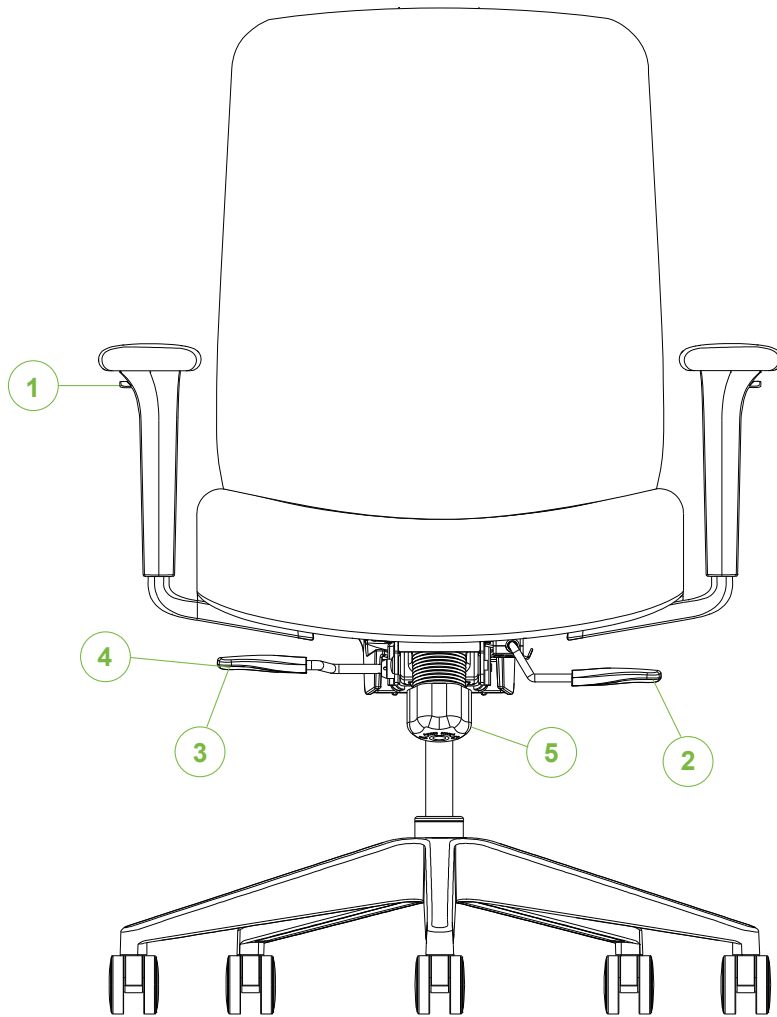


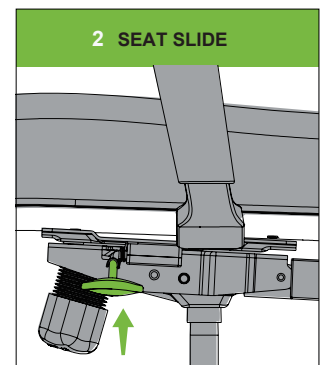
Upholstered Back Task Chair

Functionality Guide



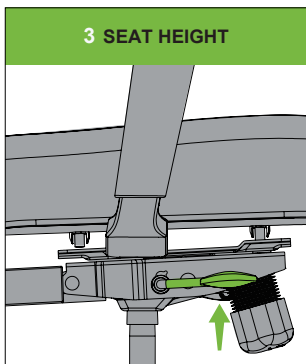
1 ARM HEIGHT

Adjust arms up and down to provide upper-body/arm support



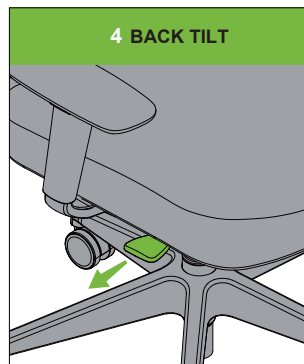
2 SEAT SLIDE

Move the seat forward and backward to adapt to various positions



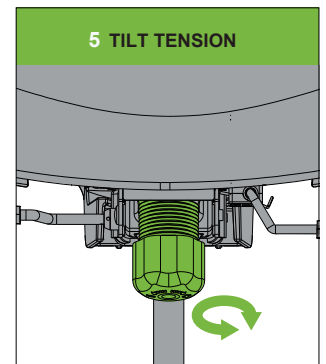
3 SEAT HEIGHT

Move the seat up and down to adapt to various heights



4 BACK TILT

Pull the back tilt lock out to unlock the back, or push in to lock



5 TILT TENSION

Turn knob to easily control the rate and ease of recline

