



## **ROC PRO D91**

USB Type-C® External Hard Drive (Hot-swap Tray)

### Quick Installation Guide

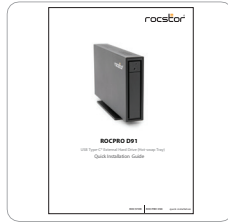
## Package Contents



ROCPRO D91



USB-C to  
USB-C Cable



Quick Installation



Power Adaptor



Power Cord

- Please check the product and accessories for any defect or missing parts. If you have any questions, please contact your product supplier.

## Minimum System Requirements

- macOS 10.12+ (Time Machine compatible)
- Windows® 7, 8, 10, 11 (via reformat)
- Compatible with USB 3.0, 3.1, and Thunderbolt™ 3 & 4

## Environmental Requirements

Operating temperature: 0 ~ 40 (32 ~ 104 °C)

Storage temperature : -20 ~ 47 (-4 ~ 116 °F)

Operating voltage: 100 ~ 240V AC

## General Notices

- Consistently make multiple backup copies of your data for your protection. Hard disk drives are subject to failure at any time.
- Rocstorage, Inc. shall not be held liable for loss of data or the restoration or recovery of data on the device.

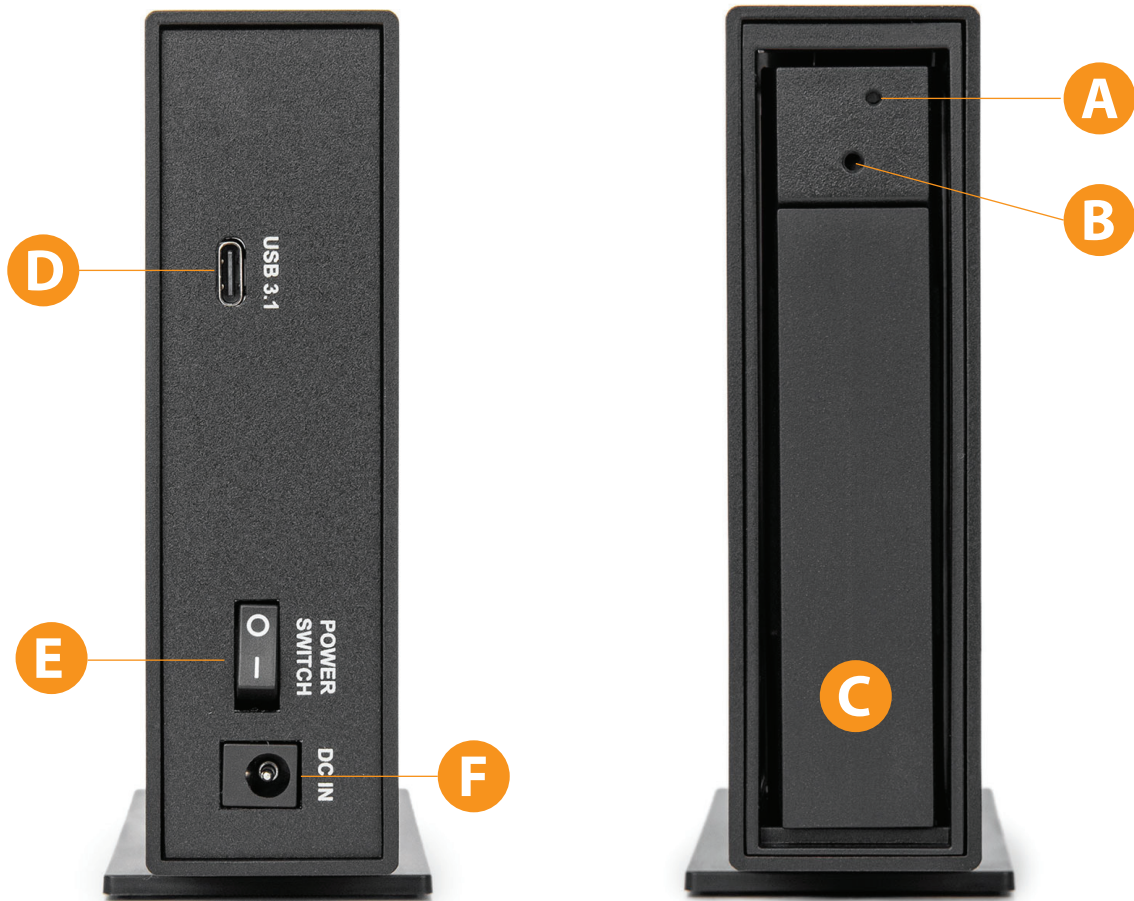
Please see complete limited Warranty Information in the User's Manual or on the Rocstor website ([www.rocstor.com](http://www.rocstor.com)) for further details.

Actual accessible hard drive capacity will indicate up to 10% lower than stated under different Operating Systems and formatting. Therefore, a 500GB capacity drive may show up as a 450GB drive (approximately.)

## Warranty Period

The Limited warranty period for Rocpro hard drives is three years for parts and labor.

## Front and rear view



**A.** HDD access light  
**B.** HDD tray ejection hole  
**C.** HDD tray handle

**D.** USB 3.1 Gen2 Type-C (10Gbps)  
**E.** Power switch  
**F.** Power socket

## Description of HDD Indicators

Status	HDD status Light
Data access	Blue light flashing
HDD idle	Blue light always on
Sleep mode	Blue light off

## Hardware Installation

Please follow the instructions below to complete the hardware installation:

**Step 1:**

Open the package and take out the product making sure that all the enclosed contents are not damaged or missing. Should you find damages or missing contents, please contact your supplier immediately.

**Step 2:**

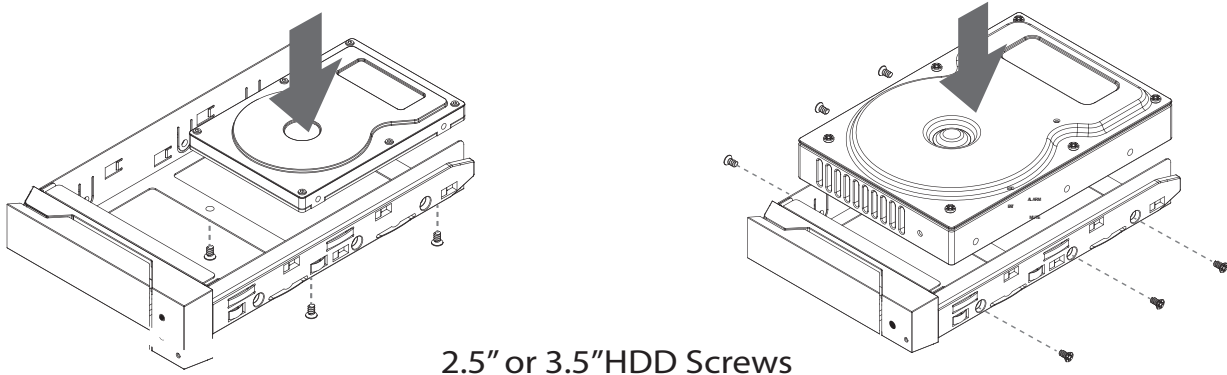
Place the enclosure on a stable surface, ensure that it is well ventilated without blockage to the vent and kept away from locations near water or where the product may become vulnerable resulting in damages.

**Step 3:**

Use the provided key in the accessories kit and inserted into the key access opening to eject the removable drive tray latch and extract the removable drive tray.

**Step 4:**

Mount your hard drives onto the removable drive tray and secure it with the screws included in the accessory kit to avoid any damage to the hard drive due to accidental movements.



2.5" or 3.5" HDD Screws

**Step 5:**

Choose one of the provided cables of your preference to connect the preferred interface connection on the enclosure unit to the computer.

**Step 6:**

Attach the AC power cable to the DC power adapter then connect one end to the power socket on the enclosure unit and the other end to the power socket. Once completed, you may power on the unit.

**Step 7:**

Once your computer has also booted, your operating system should recognize the drive automatically. If the hard drive installed requires formatting, follow the formatting instructions given by the operating system to format the drive volume to your preference. Once the formatting has been completed, the device is ready for use.



Designed/assembled/integrated in the U.S.A.  
using domestic and/or foreign components.  
Enclosure only is made in China

Specifications, terms, warranties, descriptions, product and services herein are subject to change without notice.