



Quick Installation Guide

802.11AC Indoor/Outdoor Wi-Fi Access Point
OAP1200

Package Contents

- Wi-Fi Access Point × 1
- PoE Adapter × 1
- Bracket × 1
- Power Cord × 1
- Plastic Strap × 2
- Quick Installation Guide
- Grounding Screw (head diameter: 5.5 mm, thread diameter: 3 mm, length: 6mm) × 1
- Screw (head diameter: 5.5 mm, thread diameter: 3 mm, length: 12mm) × 4
- Plastic Anchor (height: 6.6 mm, inner diameter: 2.4 mm, length: 26.4mm) × 4
- Anti-theft Screw (head diameter: 12 mm, thread diameter: 3 mm, length: 12mm) × 1
- Antenna (connector: RP-SMA-male) × 2

Technical Support

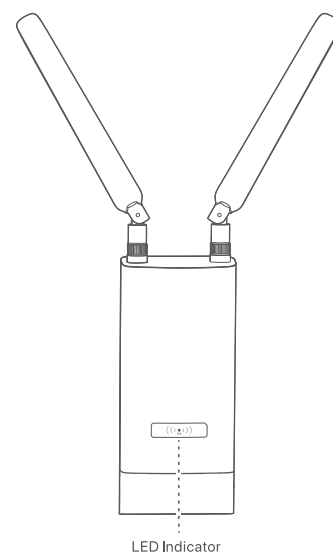
Shenzhen Tenda Technology Co., Ltd.
Floor 6-8, Tower E3, No.1001, Zhongshanyuan Road, Nanshan District, Shenzhen, China. 518052
Website: www.tendacn.com
E-mail: support@tendacn.com
support.uk@tendacn.com (United Kingdom)
support.us@tendacn.com (North America Support)

Copyright

© 2023 Shenzhen Tenda Technology Co., Ltd. All rights reserved.
Tenda is a registered trademark legally held by Shenzhen Tenda Technology Co., Ltd. Other brand and product names mentioned herein are trademarks or registered trademarks of their respective holders. Specifications are subject to change without notice.

V1.0 Keep for future reference.

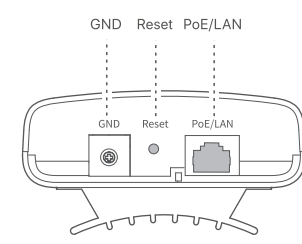
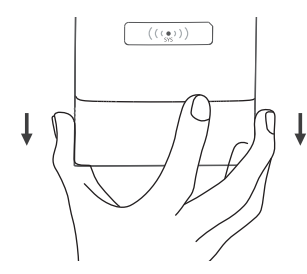
LED Indicator



LED Indicator	Description
Blinking white	The AP is starting up.
Solid white	The AP has completed startup and is waiting to be managed by a controller (such as an AP controller (AC) or a router with AP management function).
Solid blue	The AP is managed by a controller (such as an AP controller (AC) or a router with AP management function) and is working properly.
Fast blinking blue	The AP Locate feature was activated in the controller.
Slowly blinking blue	The AP is isolated and the wireless network is disconnected.
Alternating white/blue	The AP is busy (for example, upgrading firmware). Do not disconnect the power.

Port/Button

Remove the port cover as shown below.



Port/Button	Description
GND	Grounding terminal. Use the included grounding screw to connect the grounded grounding cord to this terminal for lightning and ESD protection.
Reset	Reset button. For the reset method, see Q3 in FAQ.
PoE/LAN	10/100/1000 Mbps auto-negotiation port for both PoE power supply and data transmission. Generally connected to an upstream device (such as a PoE switch).

Attach Antennas

Tips

The included antennas are used as an example here for illustration. You can also purchase high-gain antennas (connector: RP-SMA-male) to install. For outdoor installation, waterproof antennas are recommended.

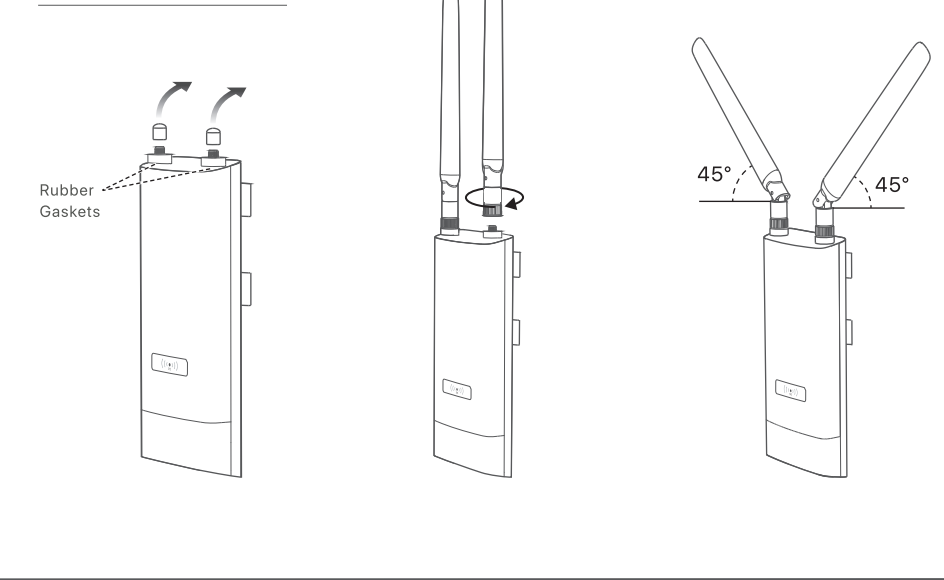
1 Remove the two plastic caps.

NOTE: Ensure the rubber gaskets remain in place for waterproofing.

2 Connect the antennas to the SMA connectors.

Tips

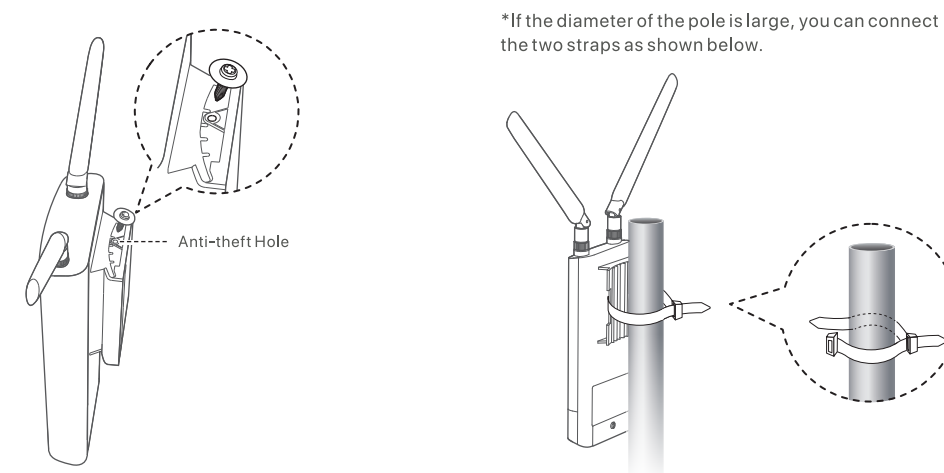
We recommend that you position the antennas at 45-degree angles to keep good performance of the wireless network (as shown in the following figure).



Method 2: Pole Mounting

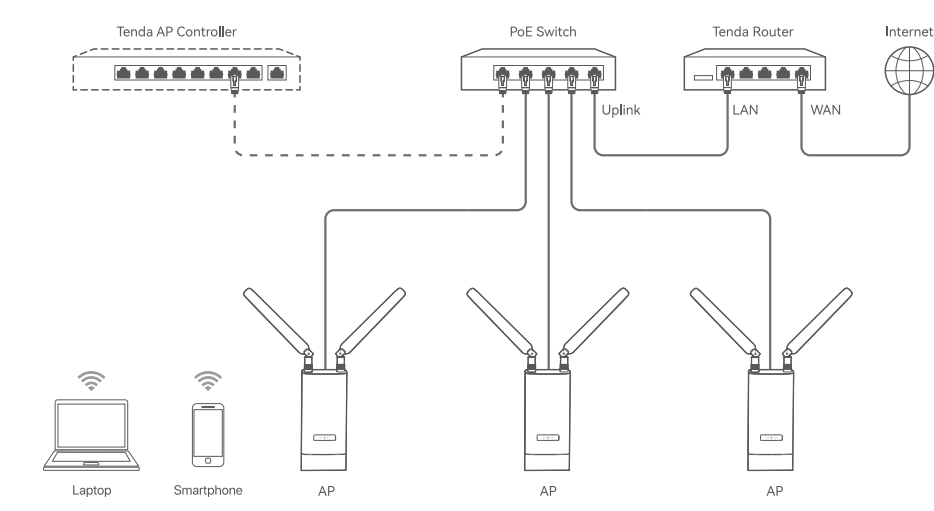
Thread the included strap through the slot on the back of the AP, wrap the strap around the pole, and tighten the strap to secure the AP onto the pole.

If the diameter of the pole is large, you can connect the two straps as shown below.



Network Topology

The typical network topology of the AP is shown below.



Install the AP

Tips

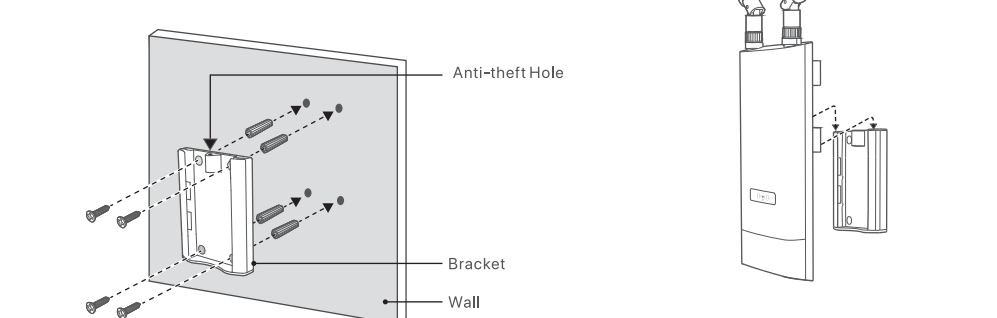
The AP is suitable for mounting at heights > 2 m.

Tips

You may need a rubber hammer, a marker, a hammer, a 3 mm drill bit, and a screwdriver for the installation.

Method 1: Wall Mounting

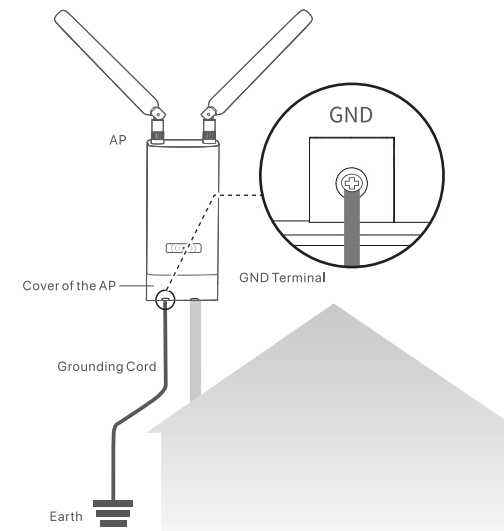
- Position the included bracket (with the anti-theft hole upward) on the wall, and mark screw hole positions with the marker.
- Drill holes in the marked positions using a hammer drill.
- Knock the included plastic anchors into the holes using the rubber hammer. Insert the included screws (head diameter: 5.5 mm, thread diameter: 3 mm, length: 12mm) into the screw holes on the bracket and fix them into the plastic anchors using a screwdriver to fix the bracket.
- Align the hooks of the AP with the slots of the bracket, then slide down the AP to fit it in the bracket.
- Use a screwdriver to fix the included anti-theft screw to the anti-theft hole.



Lightning and ESD Protection

Connect the GND terminal of the AP to a grounding terminal connected to the earth or building to protect the AP from overvoltage and overcurrent caused by lightning and ESD.

- Open the port cover of the AP. Connect one side of a grounding cord to the GND terminal of the AP using the included grounding screw.
- Remove the ground wire notch of the port cover and pass the ground wire, then replace the port cover.
- Connect the other side of the grounding cord to the grounding terminal connected to the earth or building.



Configure the AP

Method 1: Through a Tenda hardware controller

If there is a Tenda hardware controller (a Tenda AP controller or a Tenda router with AP management function) in the LAN, you can manage the APs in batches through the hardware controller. For details, visit the product page or service page on www.tendacn.com to get the user guide of the hardware controller of the model.

Method 2: Through the web UI of the AP

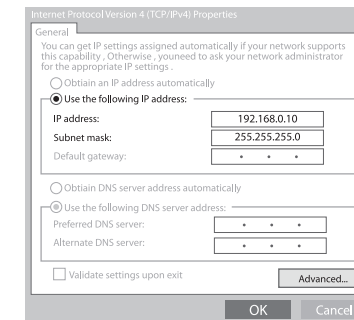
Tips

To configure multiple APs in the LAN to avoid IP address conflict, you can connect and configure one AP (including the change of IP address) first, then repeat the steps to configure other APs. Record the changed IP addresses of APs for subsequent management.

- Use the following IP address:
- Obtain an IP address automatically.

- Use an Ethernet cable to connect the management computer to a switch that is connected to the AP.
- Set the IP address of the management computer to the same network segment as that of the AP (default: 192.168.0.254).

For example, when the AP's IP address is 192.168.0.254, you can set the IP address of your computer to 192.168.0.X (X ranges from 2 to 253 and is not occupied by other devices) and subnet mask to 255.255.255.0.



- Start a web browser on the management computer, and enter the IP address of the AP in the address bar to access the web UI to manage AP.

For details, visit the product or service page on www.tendacn.com to get the user guide of the AP.

Get Support and Services



<https://www.tendacn.com/service/default.html>

For technical specifications, user guides and more information, please visit the product page or service page on www.tendacn.com. Multiple languages are available. You can see the product name and model on the product label.

Safety Precautions

Before operating, read the operation instructions and precautions to be taken, and follow them to prevent accidents. The warning and danger items in other documents do not cover all the safety precautions that must be followed. They are only supplementary information. The installation and maintenance personnel need to understand the basic safety precautions to be taken.

- Do not use the device in a place where wireless devices are not allowed.
- The device should be powered off during installation.
- If the device adopts PoE power supply device supply, use a PoE power supply device with the required specifications. Do not use the PoE power supply device if it is damaged.
- Device operating temperature: -30°C ~ 50°C; PoE adapter operating temperature: 0°C ~ 40°C.
- The device can be used safely outdoors. The PoE adapter is for indoor safe use only.
- Keep the device away from water, fire, high electric field, high magnetic field, and inflammable and explosive items.
- If such phenomena as smoke, abnormal sound or smell appear when you use the device, immediately stop using it and disconnect its power supply, unplug all connected cables, and contact the after-sales service personnel.
- Disassembling or modifying the device or its accessories without authorization voids the warranty, and might cause safety hazards.

For the latest safety precautions, see [Safety and Regulatory Information](http://www.tendacn.com) on www.tendacn.com.



FCC Statement

This equipment has been tested and found to comply with the limits for a Class B digital device, pursuant to Part 15 of the FCC Rules. These limits are designed to provide reasonable protection against harmful interference in a residential installation. This equipment generates, uses and can radiate radio frequency energy and, if not installed and used in accordance with the instructions, may cause harmful interference to radio communications. However, there is no guarantee that interference will not occur in a particular installation. If this equipment does cause harmful interference to radio or television reception, which can be determined by turning the equipment off and on, the user is encouraged to try to correct the interference by one or more of the following measures:

- Reorient or relocate the receiving antenna.
- Increase the separation between the equipment and receiver.
- Connect the equipment into an outlet on a circuit different from that to which the receiver is connected.
- Consult the dealer or an experienced radio/TV technician for help.

Operation is subject to the following two conditions: (1) this device may not cause harmful interference, and (2) this device must accept any interference received, including interference that may cause undesired operation.

Radiation Exposure Statement

The device complies with FCC radiation exposure limits set forth for an uncontrolled environment and it also complies with Part 15 of the FCC RF Rules. This device should be installed and operated with a minimum distance of 20 cm between the device and your body.

Caution

Any changes or modifications not expressly approved by the party responsible for compliance could void the user's authority to operate this equipment. This transmitter must not be co-located or operating in conjunction with any other antenna or transmitter.

Operating frequency: 2412~2472MHz, 5180~5200MHz, 5745~5825MHz
NOTE: (1) The manufacturer is not responsible for any radio or TV interference caused by unauthorized modifications to this equipment. (2) To avoid unnecessary radiation interference, it is recommended to use a shielded RJ45 cable.

RECYCLING

This product bears the selective sorting symbol for Waste electrical and electronic equipment (WEEE). This means that this product must be handled pursuant to European directive 2012/19/EU in order to be recycled or dismantled to minimize its impact on the environment. User has the choice to give his product to a competent recycling organization or to the retailer when he buys new electrical or electronic equipment.

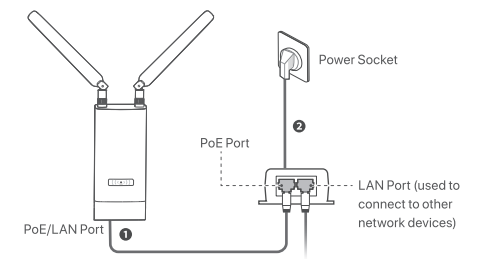
Power the AP

CAT5e or better Ethernet cables are recommended.

Method 1:

Power the AP with the included PoE adapter and power cord

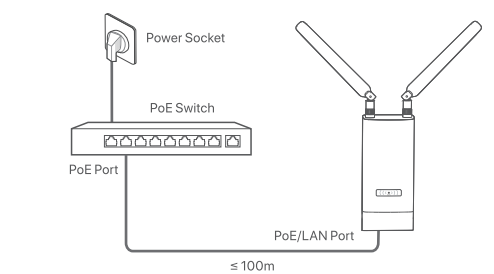
- Use an Ethernet cable (length: ≤ 50 m) to connect the PoE/LAN port of the AP to the PoE port of the included PoE adapter (placed indoors).
- Connect the included power cord to the PoE adapter and then plug the power cord into a power socket.



Method 2:

Power the AP with a standard PoE power supply device

Use an Ethernet cable (length: ≤ 100 m) to connect the PoE/LAN port of the AP to the PoE port of a PoE power supply device with IEEE 802.3af/at standards. A PoE switch is used for illustration in the following figure.



FAQ

Q1: I cannot login to the web UI of the AP. What should I do?

A1: Try the following solutions:

- Ensure that the Ethernet cable is connected properly.
- Ensure that the IP address of the management computer is set to the same network segment as that of the AP. If the AP's IP address is still 192.168.0.254, you can set the IP address of your computer to 192.168.0.X (X ranges from 2 to 253 and is not occupied by other devices).
- If the AP is managed by a controller, the AP may obtain an IP address from a DHCP server in the LAN. You can check the new IP address from the client list of the DHCP server, and use this IP address to log in.
- If the problem persists, reset the AP (see Q3).

Q2: The controller fails to detect the AP. What should I do?

A2: Try the following solutions:

- Ensure that the physical connections are correct and the AP has started up properly.
- If VLAN exists in the network, ensure that the controller is in the same VLAN as the AP.
- Reboot the AP.
- Ensure that the firmware of the controller and the AP is the latest version on our official website www.tendacn.com.
- Reset the AP (see Q3).

Q3: How to reset the AP?

A3: When the AP is idle, hold down the Reset button for about 8 seconds, and release it when the LED indicator turns off. The AP is reset successfully when the LED indicator starts to blink white.

Q4: I forgot the username and password when accessing the web UI of the AP. What should I do?

A4: Try to log in with the default username and password (both are admin).

If it fails, reset the AP (see Q3) and then use the default username and password to log in again.



CE Mark Warning

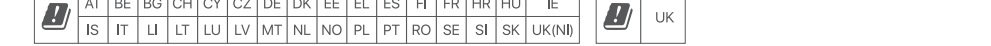
This is a Class B product. In a domestic environment, this product may cause radio interference, in which case the user may be required to take adequate measures. This equipment should be installed and operated with a minimum distance of 20 cm between the device and your body.

NOTE: (1) The manufacturer is not responsible for any radio or TV interference caused by unauthorized modifications to this equipment. (2) To avoid unnecessary radiation interference, it is recommended to use a shielded RJ45 cable.

Declaration of Conformity

Hereby, SHENZHEN TENDA TECHNOLOGY CO., LTD. declares that the device is in compliance with Directive 2014/53/EU.

The full text of the EU declaration of conformity is available at the following internet address: <https://www.tendacn.com/download/list-9.html>



English-Attention: In EU member states, EFTA countries, Northern Ireland and Great Britain, the operation in the frequency range 5150MHz - 5250MHz is only permitted indoors.

Polski-Uwaga: W państwach członkowskich UE, krajach Europejskich Stowarzyszenia Wolnego Handlu (EFTA), Irlandii Północnej i Wielkiej Brytanii praca w zakresie częstotliwości 5150 MHz - 5250 MHz jest dozwolona tylko w pomieszczeniach.

Deutsch-Achtung: In den EU-Mitgliedsstaaten, den EFTA-Ländern, Nordirland und Großbritannien ist der Betrieb im Frequenzbereich 5150 MHz - 5250 MHz nur in Innenräumen zulässig.

Franglais-Attention: Dans les États membres de l'UE, les pays de l'AELE, l'Irlande du Nord et la Grande-Bretagne, l'utilisation dans la gamme de fréquences 5150MHz - 5250MHz n'est autorisée qu'en intérieur.

Nederlands-Aandacht: In de EU-landen, Noord-Ierland en Groot-Brittannië is gebruik in het 5150 MHz - 5250 MHz frequentiebereik alleen binnenshuis toegestaan.

Čeština-Pozor: V členských státech EU, zemích EFTA, Severní Irsko a Velká Británie je povolen provoz v interiéru.

Română-Atenție: În statele membre UE, în UE EFTA, Irlanda de Nord și Marea Britanie, operația în intervalul de frecvență 5150 MHz - 5250 MHz este permisă numai în interior.

Portugals-Atenção: Nos estados membros da UE, países da EFTA, Irlanda do Norte e Grã-Bretanha, o funcionamento na gama de frequências 5150MHz - 5250MHz só é permitido no interior.

Slovenska-Upraviť sa môže: V členských štátoch EÚ, krajinách EFTA, Severného Írska a Veľkej Británie je povolená práca v frekvencnom páse 5150 MHz - 5250 MHz iba v interiéri.

Ελληνικά-Προσοχή: Στο χώρο μόνον επιτρέπεται η λειτουργία της συσκευής, στην περιοχή των συχνοτήτων 5150 MHz - 5250 MHz εμπορεύσιμα μόνο σε εσωτερικούς χώρους.

Magyar-Figyelme: Az EU-tagállamokban, az EFTA-országokban, Észak-Írországon és Nagy-Britanniában az 5150 MHz-5250 MHz-es frekvenciatarományban való működés csak belső térben engedélyezett.

Italiano-Attenzione: Negli Stati membri dell'UE, nei Paesi EFTA, nel Regno Unito e in Gran Bretagna, il funzionamento nella gamma di frequenze 5150 MHz - 5250 MHz è consentito solo in ambienti chiusi.

Български-Внимание: В страните-членки на ЕС, страните от ЕАСТ, Северна Ирландия и Великобритания, работата в честотния диапазон 5150MHz - 5250MHz е разрешена само в закрито.

Español-Atención: En los estados miembros de la UE, los países de la AELC, Irlanda del Norte y Gran Bretaña, el rango de frecuencia operativa de 5150MHz a 5250MHz solo está permitido en interiores.

Estes-Tähelepanu: EL- ja Iirimaa ja Suurbritannia osagaudumissageda 5150 MHz - 5250 MHz kasutamise lubatakse ainult sisetuumides.

Dansk-Opmærksomhed: I EU-medlemslandene, EFTA-landene, Nordirland og Storbritannien er drift i frekvensområdet 5150 MHz - 5250 MHz kun tilladt indenfor.

Suomi-Huom: EU-maissa, EFTA-maissa sekä Ison-Britannian ja Pohjois-Iirannissa taajuusalueella 5150 MHz - 5250 MHz käyttöä ainoastaan sisätiloissa.

Hrvatski-Pozor: U državama članicama EU, zemljama EFTA-e, Sjevernoj Irskoj i Veljkoj Britaniji, rad u frekvencijskom rasponu od 5150 MHz do 5250 MHz dopušten je samo u zatvorenom prostoru.

Latviešu-Uzmanību: ES valstīs, EFTA valstīs, Ziemeļīrijā un Lielbritānijā, operācija sīkākās ir atļauta tikai 5150 MHz - 5250 MHz diapazonā.

Lietuvių-Dėmesio: ES valstybėse naršė, ELPA šalys, Šiaurės Airijos ir Didiosios Britanijos 5150 MHz - 5250 MHz dažny diapazono keidžiama veikti tik patalpose.

Slovenščina-Pozor: V državah članicah EU, državah EFTA, Severni Irski in Veliki Britaniji je delovanje v frekvenčnem območju 5150 MHz - 5250 MHz dovoljeno samo v zaprtih prostorih.

Maltese-Attenzjoni: F'EU-membri, EFTA-land, Nord-Irlanda u Gran Britanja, il-funzjonament f'intervallo ta' frekwenza 5150 MHz - 5250 MHz huwa permess biss f'interno.

Hebrei-Atenya: F'ha-memlehot ha-UE, ha-memlehot ha-EFTA, ha-Irlanda ha-Nord u ha-Britanya ha-Gdola, ha-funktsya f'interval ha-frekvencya 5150 MHz - 5250 MHz m'atmeya m'atmeya.

Ukrainian-Uvaga: V derzhavakh chlenitsiv EU, zemlyakh EFTA-v, Severnoy Irskiy i Velikoy Britaniyi, rad u frekvencyyom rasponi od 5150 MHz do 5250 MHz dopustny v zamknytyy prostori.

Belarusian-Uvaga: V d'zharavakh chlenitsiv ES, EFTA-krajinah, Nord-Irlandy i B'rytanii i Velikoy B'rytanii, rad u frekvencyyom rasponi od 5150 MHz do 5250 MHz dopustny tol'ki u zamknytyy prastor.

Polish-Atenja: W państwach członkowskich UE, krajach Europejskich Stowarzyszenia Wolnego Handlu (EFTA), Irlandii Północnej i Wielkiej Brytanii praca w zakresie częstotliwości 5150 MHz - 5250 MHz jest dozwolona tylko w pomieszczeniach.

Deutsch-Achtung: In den EU-Mitgliedsstaaten, den EFTA-Ländern, Nordirland und Großbritannien ist der Betrieb im Frequenzbereich 5150 MHz - 5250 MHz nur in Innenräumen zulässig.

Franglais-Attention: Dans les États membres de l'UE, les pays de l'AELE, l'Irlande du Nord et la Grande-Bretagne, l'utilisation dans la gamme de fréquences 5150MHz - 5250MHz n'est autorisée qu'en intérieur.

Nederlands-Aandacht: In de EU-landen, Noord-Ierland en Groot-Brittannië is gebruik in het 5150 MHz - 5250 MHz frequentiebereik alleen binnenshuis toegestaan.

Čeština-Pozor: V členských státech EU, zemích EFTA, Severní Irsko a Velká Británie je povolen provoz v interiéru.

Română-Atenție: În statele membre UE, în UE EFTA, Irlanda de Nord și Marea Britanie, operația în intervalul de frecvență 5150 MHz - 5250 MHz este permisă numai în interior.

Portugals-Atenção: Nos estados membros da UE, países da EFTA, Irlanda do Norte e Grã-Bretanha, o funcionamento na gama de frequências 5150MHz - 5250MHz só é permitido no interior.

Slovenska-Upraviť sa môže: V členských štátoch EÚ, krajinách EFTA, Severného Írska a Veľkej Británie je povolená práca v frekvencnom páse 5150 MHz - 5250 MHz iba v interiéri.

Ελληνικά-Προσοχή: Στο χώρο μόνον επιτρέπεται η λειτουργία της συσκευής, στην περιοχή των συχνοτήτων 5150 MHz - 5250 MHz εμπορεύσιμα μόνο σε εσωτερικούς χώρους.

Magyar-Figyelme: Az EU-tagállamokban, az EFTA-országokban, Észak-Írországon és Nagy-Britanniában az 5150 MHz-5250 MHz-es frekvenciatarományban való működés csak belső térben engedélyezett.

Italiano-Attenzione: Negli Stati membri dell'UE, nei Paesi EFTA, nel Regno Unito e in Gran Bretagna, il funzionamento nella gamma di frequenze 5150 MHz - 5250 MHz è consentito solo in ambienti chiusi.

Български-Внимание: В страните-членки на ЕС, страните от ЕАСТ, Северна Ирландия и Великобритания, работата в честотния диапазон 5150MHz - 5250MHz е разрешена само в закрито.

Español-Atención: En los estados miembros de la UE, los países de la AELC, Irlanda del Norte y Gran Bretaña, el rango de frecuencia operativa de 5150MHz a 5250MHz solo está permitido en interiores.

Estes-Tähelepanu: EL- ja Iirimaa ja Suurbritannia osagaudumissageda 5150 MHz - 5250 MHz kasutamise lubatakse ainult sisetuumides.

Dansk-Opmærksomhed: I EU-medlemslandene, EFTA-landene, Nordirland og Storbritannien er drift i frekvensområdet 5150 MHz - 5250 MHz kun tilladt indenfor.

Suomi-Huom: EU-maissa, EFTA-maissa sekä Ison-Britannian ja Pohjois-Iirannissa taajuusalueella 5150 MHz - 5250 MHz käyttöä ainoastaan sisätiloissa.

Hrvatski-Radna frekvencija/Maximalna izlazna snaga: 5150 MHz - 5250 MHz, samo u zatvorenom prostoru.

Latviešu-Dēmesio: ES valstīs, EFTA valstīs, Ziemeļīrijā un Lielbritānijā, operācija sīkākās ir atļauta tikai 5150 MHz - 5250 MHz diapazonā.

Lietuvių-Dėmesio: ES valstybėse naršė, ELPA šalys, Šiaurės Airijos ir Didiosios Britanijos 5150 MHz - 5250 MHz dažny diapazono keidžiama veikti tik patalpose.

Slovenščina-Pozor: V državah članicah EU, državah EFTA, Severni Irski in Veliki Britaniji je delovanje v frekvenčnem območju 5150 MHz - 5250 MHz dovoljeno samo v zaprtih prostorih.

Maltese-Attenzjoni: F'EU-membri, EFTA-land, Nord-Irlanda u Gran Britanja, il-funzjonament f'intervallo ta' frekwenza 5150 MHz - 5250 MHz huwa permess biss f'interno.

Hebrei-Atenya: F'ha-memlehot ha-UE, ha-memlehot ha-EFTA, ha-Irlanda ha-Nord u ha-Britanya ha-Gdola, ha-funktsya f'interval ha-frekvencya 5150 MHz - 5250 MHz m'atmeya m'atmeya.

Ukrainian-Uvaga: V derzhavakh chlenitsiv EU, zemlyakh EFTA-v, Severnoy Irskiy i Velikoy Britaniyi, rad u frekvencyyom rasponi od 5150 MHz do 5250 MHz dopustny v zamknytyy prostori.

Belarusian-Uvaga: V d'zharavakh chlenitsiv ES, EFTA-krajinah, Nord-Irlandy i B'rytanii i Velikoy B'rytanii, rad u frekvencyyom rasponi od 5150 MHz do 5250 MHz dopustny tol'ki u zamknytyy prastor.

Polish-Atenja: W państwach członkowskich UE, krajach Europejskich Stowarzyszenia Wolnego Handlu (EFTA), Irlandii Północnej i Wielkiej Brytanii praca w zakresie częstotliwości 5150 MHz - 5250 MHz jest dozwolona tylko w pomieszczeniach.

Deutsch-Achtung: In den EU-Mitgliedsstaaten, den EFTA-Ländern, Nordirland und Großbritannien ist der Betrieb im Frequenzbereich 5150 MHz -