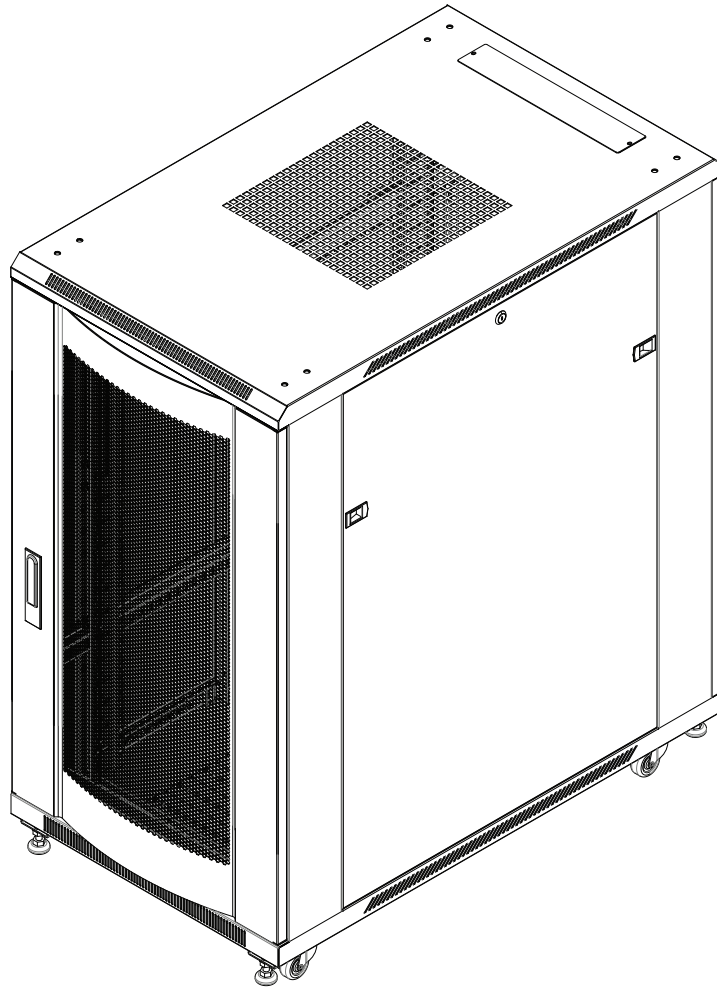


SolidRack Rack Enclosure With Side Panels & Rear Doors



User Manual

Y10E039-B1

Y10E040-B1

Y10E064-B1

Y10E065-B1

Y10E066-B1

Y10E067-B1

Table of Contents

	<u>Page</u>
Rocstor Legal Disclaimer - - - - -	1
Introduction - - - - -	2
Important Safety Information - - - - -	3
Safety Instructions - - - - -	4
Component Identification - - - - -	5
Hardware and Accessories - - - - -	6
Level the Rack Cabinet - - - - -	7
Join the Cabinets - - - - -	8
Ground the Cabinet - - - - -	9
Enclosure Configuration - - - - -	10, 11, 12
Enclosure Installation - - - - -	13
Five-Year Factory Warranty - - - - -	14
Contact Information - - - - -	15
Unit Measurements	

Rocstor Legal Disclaimer

The information presented in this manual is not warranted by Rocstor to be totally authoritative, error free, or complete. This publication is not meant to be a substitute for a detailed operational and a site-specific development plan for the use of the product. Therefore, Rocstor assumes no liability for damages, violations of codes, improper installation, system failures, or any other problems that could arise based on the use of this Manual.

THE WARRANTY AND REMEDIES SET FORTH ABOVE ARE LIMITED IN TIME TO THE DURATION OF THE WARRANTY AS STATED HEREIN AND IS EXCLUSIVE IN LIEU OF ALL OTHER WARRANTIES, LEGAL THEORIES, REMEDIES AND CONDITIONS, WHETHER ORAL OR WRITTEN, EXPRESS OR IMPLIED. IN NO EVENT SHALL ROCSTOR, OR ANY PARENT, AFFILIATE OR SUBSIDIARY COMPANY OF ROCSTOR OR THEIR RESPECTIVE OFFICERS, DIRECTORS, OR EMPLOYEES BE LIABLE FOR ANY DIRECT, INDIRECT, CONSEQUENTIAL, PUNITIVE, SPECIAL, OR INCIDENTAL DAMAGES, INCLUDING, WITHOUT LIMITATION, DAMAGES FOR LOSS OF BUSINESS, CONTRACTS, REVENUE, LOST PROFITS, DATA, INFORMATION, GOODWILL OR BUSINESS INTERRUPTION RESULTING FROM OR ARISING OUT OF THE USE OF THE PRODUCT OR FAILURE TO FOLLOW INSTRUCTIONS IN THE MANUAL.

FURTHERMORE, ROCSTOR SPECIFICALLY DISCLAIMS ANY AND ALL IMPLIED WARRANTIES INCLUDING, WITHOUT LIMITATION, WARRANTIES OF MERCHANTABILITY AND FITNESS FOR A PARTICULAR PURPOSE. IF ROCSTOR CANNOT LAWFULLY DISCLAIM SUCH IMPLIED WARRANTIES, THOSE IMPLIED WARRANTIES WILL BE LIMITED IN DURATION TO THE DURATION SET FORTH ABOVE.

FURTHER STILL, ROCSTOR RESERVES THE RIGHT TO MAKE CHANGES OR UPDATES WITH RESPECT TO THE CONTENT OF THE PUBLICATION OR THE FORMAT THEREOF AT ANY TIME AFTER PURCHASE WITHOUT NOTICE.

Some states and provinces do not allow the exclusion or limitation of incidental or consequential damages or exclusions or limitations on the duration of implied warranties or conditions, so the above limitations or exclusions may not apply to you. This warranty gives you specific legal rights and you may also have other rights that vary by state or province.

Copyright, intellectual, and all other proprietary rights in the content of the manual (including but not limited to software, audio, video, text, and photographs) rests with Rocstor or its licensor. All rights in the content are the property of Rocstor and are not granted, licensed, assigned or otherwise passed to the purchaser of the product or to persons having access to the information in the manual

Introduction

SolidRack Rack Enclosure Cabinet – 4-Post Adjustable Depth (6" to 34.25") - Assembled - Includes Doors & Side Panels – 1760 lb (800 kgs) Static Load Capacity – 19" Rack Width - 600mm Wide x 1000mm Deep - Floor Standing – Heavy-duty Cold-rolled Steel (CRS) – For Server, Storage, LAN Switch, PDU – ROHS & CE Certified – EIA-310-E & IP20 Protection Rating Compliant - Black

This manual provides notes for the general installation and configuration of SolidRack below part number:

Y10E039-B1

Y10E040-B1

Y10E064-B1

Y10E065-B1

Y10E066-B1

Y10E067-B1

Important Safety Information

Please review and read the instructions very carefully in order to understand the specification of the equipment. This is essential information before installing, operating, service or maintaining your equipment. These messages or alerts may appear throughout this publication and manual for your purchased equipment. The messages are designed to warn you of possible hazards or to bring to your attention the information that would assist and clarifies steps and procedures.



This symbol and label provides Danger or Warning safety which indicates an electrical hazard exists. If instructions are not fully followed, it may result in personal injury.



This is a safety alert symbol. It is used to alert you to potential personal injury hazards. Please follow the instructions very carefully and obey all safety messages that follow this symbol to avoid possible injury or death.

DANGER

DANGER This symbol represents an imminently hazardous situation which, if not avoided, will result in death or serious injury. Please follow instructions carefully.

WARNING

WARNING This symbol represents a potentially hazardous situation which, if not avoided, can result in death or serious injury. Please follow instructions carefully.

CAUTION

CAUTION This symbol indicates a potentially hazardous situation which, if not avoided, can result in minor or moderate injury.

CAUTION

CAUTION, This symbol is used without the safety alert symbol, indicates a potentially hazardous situation which, if not avoided, can result in equipment damage. Please follow instructions carefully. Please follow instructions carefully.

NOTICE

NOTICE This symbol provides informations and practices not related to physical injury including certain environmental hazards, potential damage or loss of data. Please follow instructions carefully.

Safety Instructions

Please follow the essential and important instructions in this manual. The information provides you useful instructions for installation and customization of the rack or equipment.

WARNING

TIP/ HEAVY EQUIPMENT HAZARD

- The content of this packaging is easily tipped. Please be extra careful and use extreme caution when moving or unpacking this cabinet.
- Two people are preferred and are required to move and unpack the cabinet.
- Before moving the cabinet on its casters, load in the means of servers, storage, or other equipment 159 kg (350 lb) of equipment into rack and place the equipment at the bottom of the cabinet for additional stability.
- Make sure the leveling feet are up when moving or pushing the cabinet. DO NOT push the cabinet from its sides.

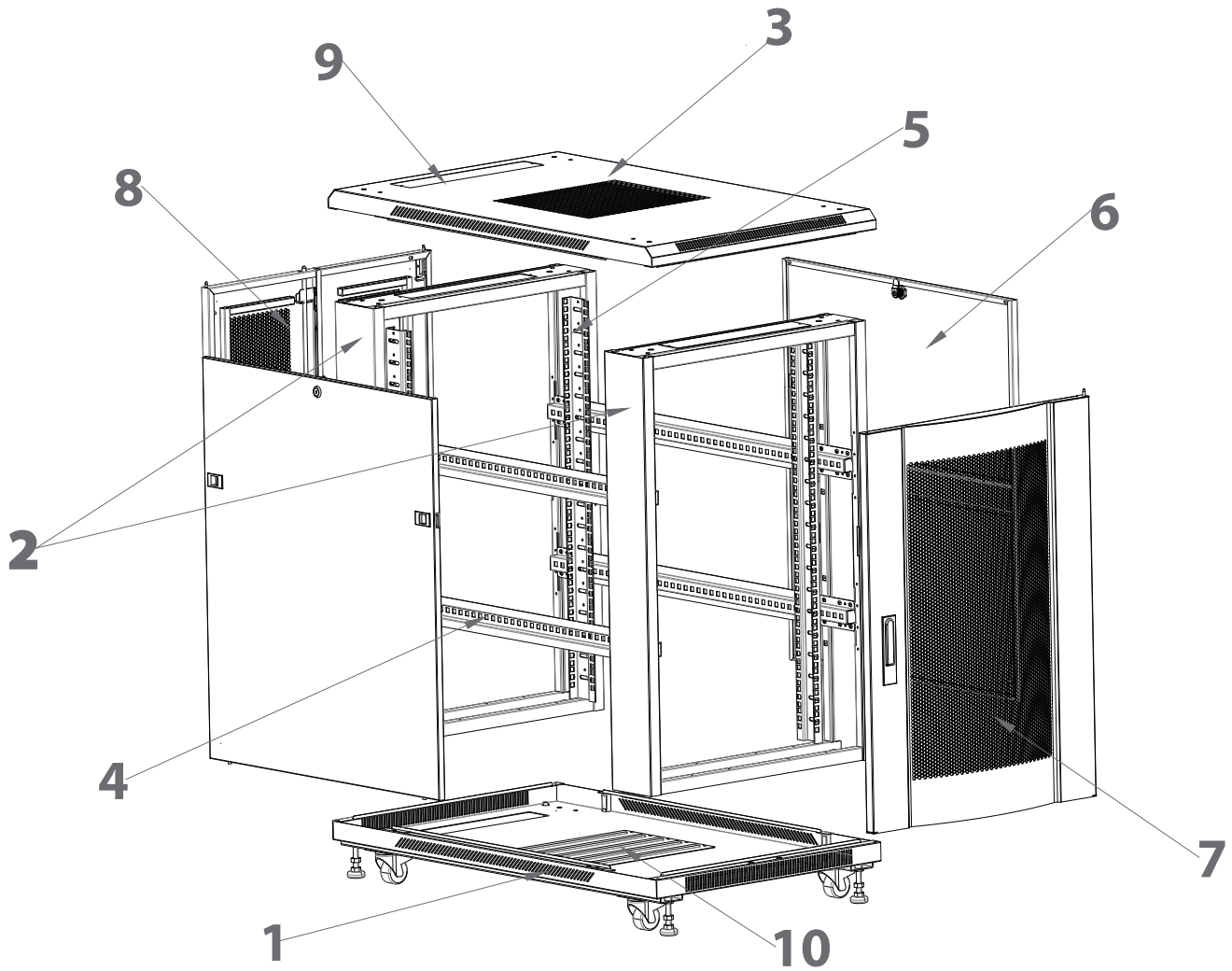
Not following these instructions carefully, it can result in death, serious injury, or equipment damage

Labels

Look for additional safety information affixed to the cabinet.

Component Identification

Cabinet



- 1- Base Plate
- 2- Front & Rear Frame
- 3- Top Cover
- 4- Horizontal Bracket
- 5- Vertical Bracket
- 6- Side Panel

- 7- Front Door
- 8- Rear Doors
- 9- Cable Management Accesses
- 10- Leveling Feet
- 11 - Side Door
- 12- 2" Caster

Hardware and Accessories



M6 Phillips-Head Screw



M6 Cage Nut



Cup Washer

Hight \leq 27U: **20 sets**
27U < Hight \leq 37U: **30 sets**
37U < Hight \leq 47U: **40 sets**



Key (x3)

To ensure proper and secure installation, cage nuts need to be installed horizontally as shown below. Installing cage nuts in the incorrect orientation can cause injury or equipment damage.



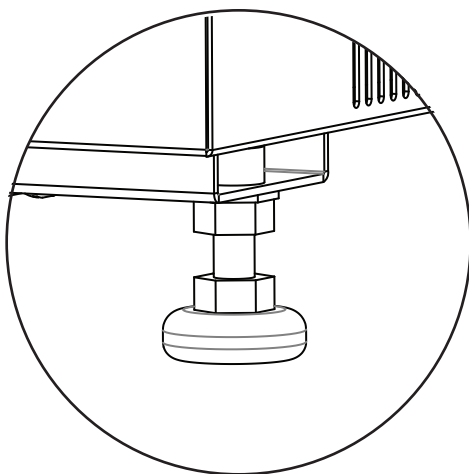
Level the Rack Cabinet

The leveling feet at the corners of the equipment provide a stable base if the floor is uneven, but they cannot compensate for a badly sloped surface. Ensure the cabinet is in its intended location. Remove the front and rear doors.

NOTE: Before removing the front door, unplug the ground wires and any other wire connections that may interfere with the removal of the doors.

NOTE:

- Use an 18 mm open-end wrench to lower each leveler A until it reaches the floor. (There are 4 levelers, 2 at the front and 2 at the rear.) Make sure each leveler contacts the floor firmly.
- Adjust each foot and, using a level, adjust the feet until the cabinet is level and plumb. Do not install the doors until after the cabinet is joined to others in the row.



Note: Lower a leveler by turning it clockwise; raise a leveler by turning it counter-clockwise.

WARNING

TIP HAZARD

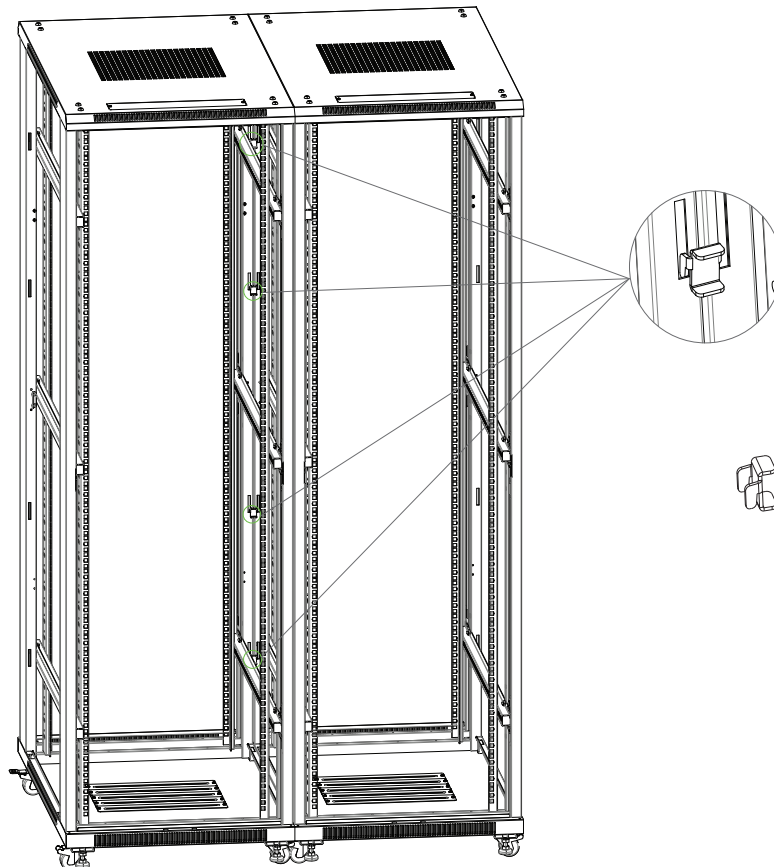
If multiple racks are used, joining cabinets provides limited stability to the cabinets. Secure the cabinet to the floor before installing equipment. Please follow these instructions very carefully. Failure to follow these instructions can result in death, serious injury, or equipment damage.

Enclosures within the same row can be connected together by using Baying kits (sold separately). Side panels can be removed for access between enclosures but is not necessary. There are two connecting brackets on the front and two on the rear of each enclosure.

1. Align the enclosures that will be connected together.
2. Remove the enclosure doors.

NOTE: See the Remove Front and Rear Doors section for instructions.

3. Use the baying kit items to secure the enclosures by snapping in dedicated place shown below. Each pair of enclosures should be connected together by two front and two rear brackets.



Ground the Cabinet

DANGER

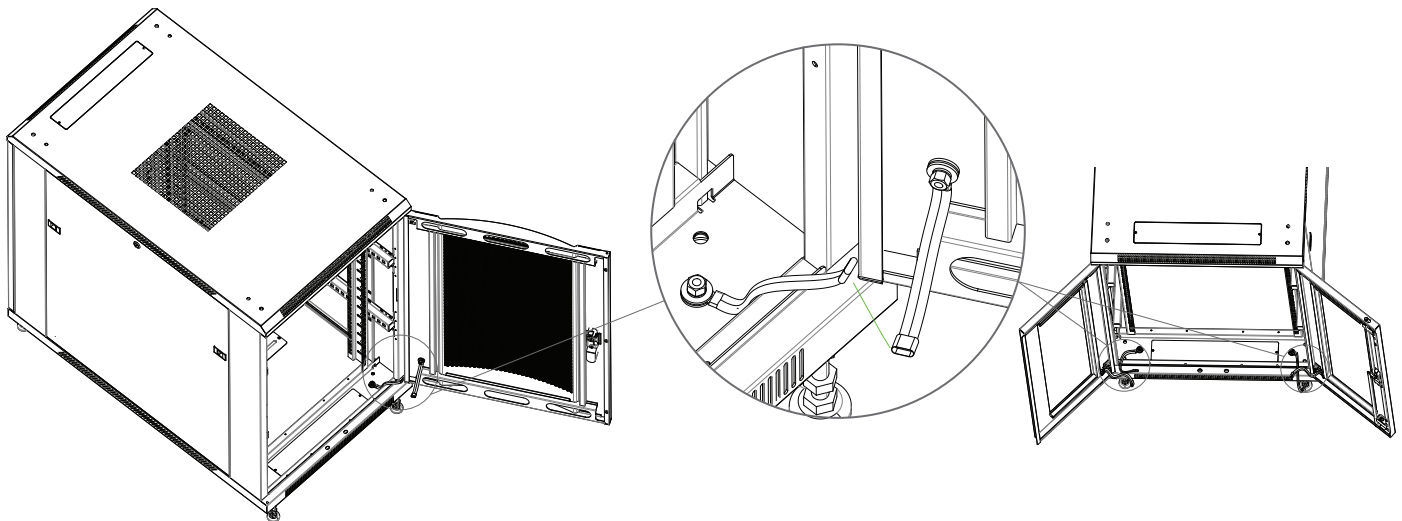
HAZARD OF ELECTRIC SHOCK

Connection of the cabinet to building Common Bonding Network (CBN) is required.

Failure to follow these instructions will result in death or serious injury.

Please note that each cabinet should be bonded directly to a common ground using one of the designated grounding points (M6 threaded inserts) at the bottom of the cabinet.

- All enclosure doors have a pre-installed ground wire connected to the enclosure frame.
- To connect the enclosure to facility's ground, please use the reserved grounding holes on the base of the front or rear door frame.
- Install an 8 AWG wire with the included M6 screw, and connect the other side of the wire to the facility's grounding point.

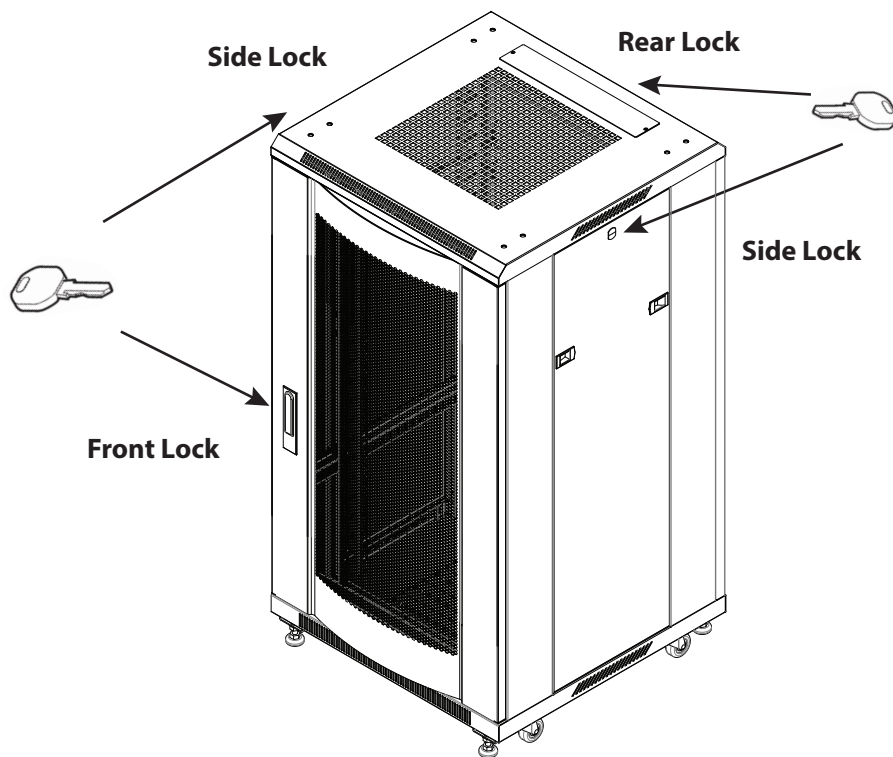


Enclosure Configuration

Plan for your installation in advance and make sure all mounting rails are adjusted or reversed for your required depth per your configuration needs.

Door Locks Access

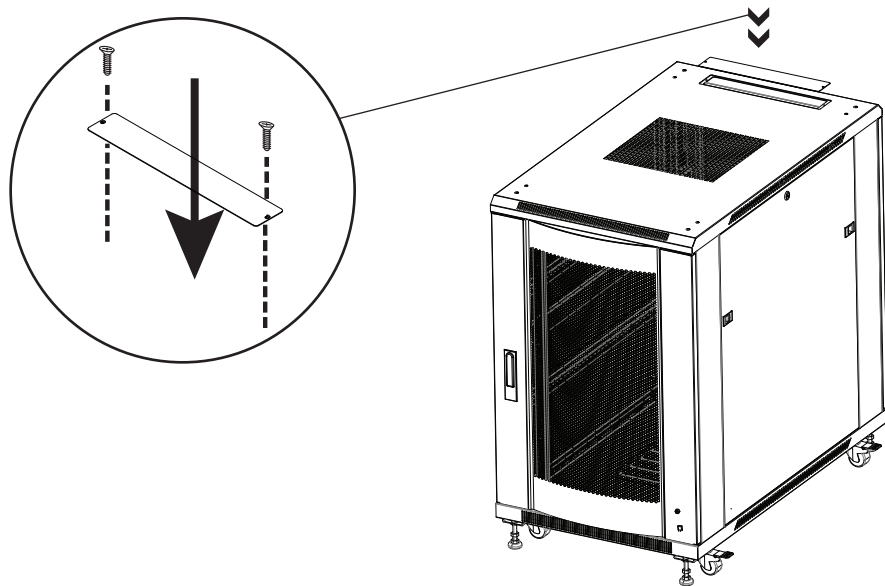
Front and side doors have locks for added security. Each enclosure cabinets includes two keys that are able to open all the locks.



Enclosure Configuration

Configuring Cable Access

Rocstor SolidRack provides an easy cable management configuration. The rectangular opening of top of the cabinet provides an easy access for cable management. The rectangular opening can easily be removed or installed back by unscrewing or screwing in the removable cable access panel.



Mounting Rails Installation

Before you mount rails or install any hardware, please make sure you have securely mounted the cabinet to the wall or have positioned the cabinet on the floor. You must also have all the right adjustments on your rails prior installation and mounting your equipment into the rack.



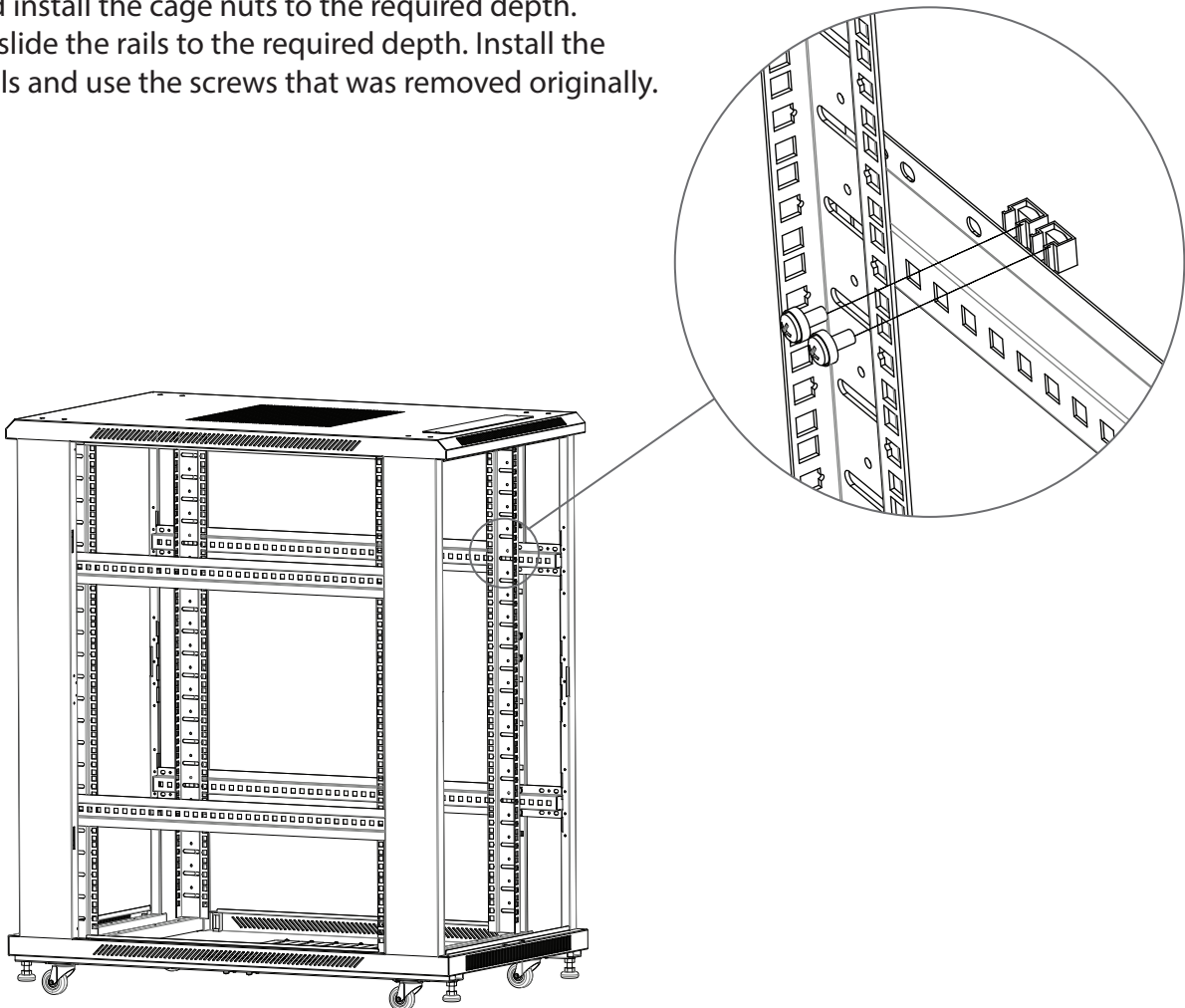
Enclosure Configuration

Rail Adjustment

WARNING: Adjusting the rails while the rails are connected to the equipment will damage your equipment and the enclosure. Do not adjust the rails when there is equipment installed in the cabinet. Also, make sure there are (2) two screws used per rail for properly secured equipment installation.

Do not attempt to adjust the rails since it will accommodate for different mounting depth unless your equipment specification requires for a different mounting depth. This versatile rack provides adjustment for front and rear set of rails.

- 1- The SolidRack enclosure includes an upper and lower rail. The upper and lower rails are connected with (2) two screws and two (2) cage nuts. One set in the upper corner and additionally another set in the lower corner. Please use a Phillips-head screwdriver for removing the screws that have attached the rails to the cabinet enclosure.
- 2- Adjust and install the cage nuts to the required depth.
- 3- Place and slide the rails to the required depth. Install the mounting rails and use the screws that was removed originally.



Enclosure Installation

WARNING



Use at least two people to unpack the enclosure.



Move the Cabinet

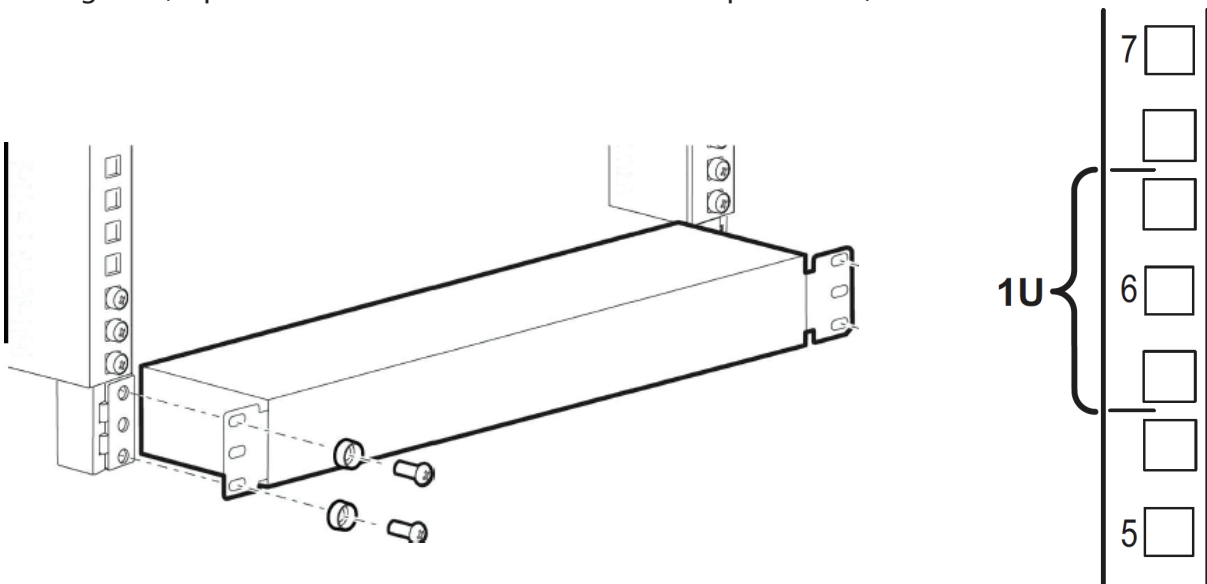
TIP/ HEAVY EQUIPMENT HAZARD

- Be extremely cautious when moving or unpacking this rack/cabinet.
- When moving or unpacking this cabinet. Two people are preferred and are required to move and unpack the cabinet.
- Make sure the leveling feet are up when moving or pushing the cabinet. DO NOT push the cabinet from its sides.

Not following these instructions carefully, it can result in death, serious injury, or equipment damages.

Customer Equipment Installation

- Review the equipment manufacturer's installation instructions.
- Locate the top and bottom U-space on the vertical mounting rails. Every third hole on the mounting rails is numbered to indicate the middle of a U-space.
- Install the cage nuts on the interior of the vertical mounting rail; then install the equipment.
(To remove a cage nut, squeeze the sides to release it from the square hole.)



Five-Year Factory Warranty

Rocstor provides a Limited Factory Warranty which applies to products you have purchased for commercial or industrial use in the ordinary course of your business.

Terms of warranty

Rocstor warrants its SolidRack product series to be free from defects in materials and workmanship for a period of five years from the date of purchase. Rocstor's obligation under this warranty coverage is limited to repairing or replacing, at its sole discretion, any such defective products. This warranty does not apply to equipment that has been damaged by accident, negligence, or misapplication or has been altered or modified in any way. In the event Rocstor repairs or provide a replacement of a defective product or part, the warranty does not extend the original warranty period. Rocstor reserves the right to repair or replace any parts under warranty as new or factory re manufactured.

Non-transferable warranty

This warranty extends only to the original purchaser who must have properly registered the product. The product may be registered at the Rocstor Web site, [https://rocstor.com/customer-support/warranty registration](https://rocstor.com/customer-support/warranty-registration).

Exclusions

If Rocstor tests or examines the alleged defect in the product and finds that the damages or defects do not exist or were caused by a third party or an end user's misuse, improper installation or testing, or negligence, then Rocstor shall not be liable under the warranty. Furthermore, unauthorized attempts to repair or modify the product by wrong or inadequate electrical connection or voltage, inadequate or inappropriate site operation conditions, repair, installation corrosive area or atmosphere, a change in location or operating conditions or use, repair by non-Rocstor designated personnel, exposure to the elements, fire, Acts of God, theft, or equipment installation not recommended or contrary to Rocstor's specifications or recommendations. Warranties will be void and Rocstor will not be liable if the product serial number is tampered with, altered, removed, defaced or any other cause beyond the range of intended use.

Contact Information

Corporate Headquarters

12979 Arroyo St
San Fernando, CA 91340 - USA

Office: +1 (818) 727-7000
Fax: +1 (818) 875-0002
Email: info@Rocstor.com

Technical Support / RMA

Hours: 9:00 am - 5:00 pm PST
Mon - Fri (excluding holidays)

Tell: +1 (818) 727-7000 (Domestic and International)
Fax: +1 (818) 875-0002
Email: support@Rocstor.com

Sales Info

Hours: 8:00 am - 5:00 pm PST
Mon - Fri (excluding holidays)

Tell: +1 (818) 727-7000 (Domestic and International)
Fax: +1 (818) 875-0002
Email: support@Rocstor.com

Corporate, Government and Academic Customers

Our Corporate Sales Team's goal is to help our U.S.A. and Canadian customers find a storage solution that best serves their needs. We will help you determine your best purchasing options. For more information please contact the appropriate department below or call us at +1 (818) 727-7000.

General sales information:	sales@Rocstor.com
Corporate sales information:	corporate_sales@Rocstor.com
Educational sales information:	academic_sales@Rocstor.com
Federal, State & Local government sales information:	government_sales@Rocstor.com

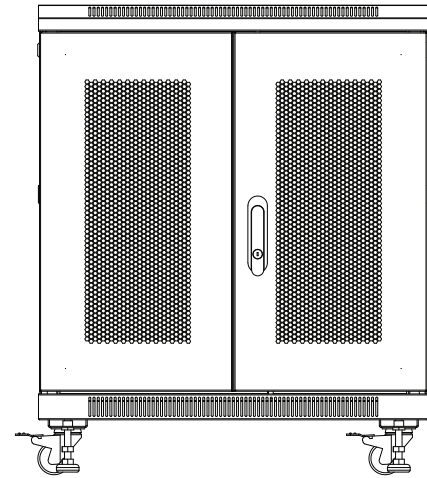
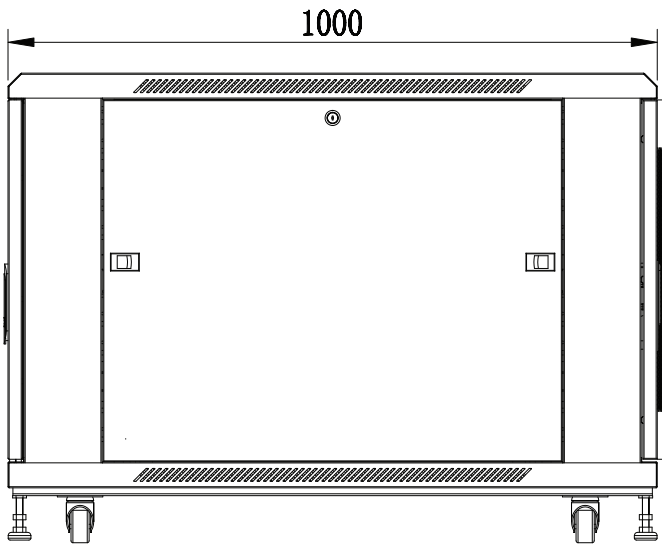
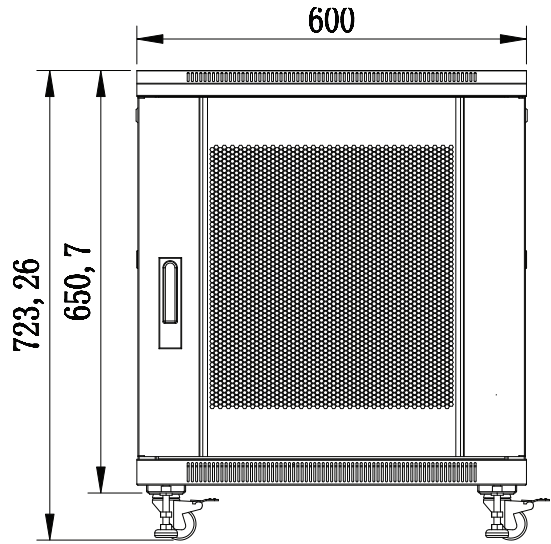
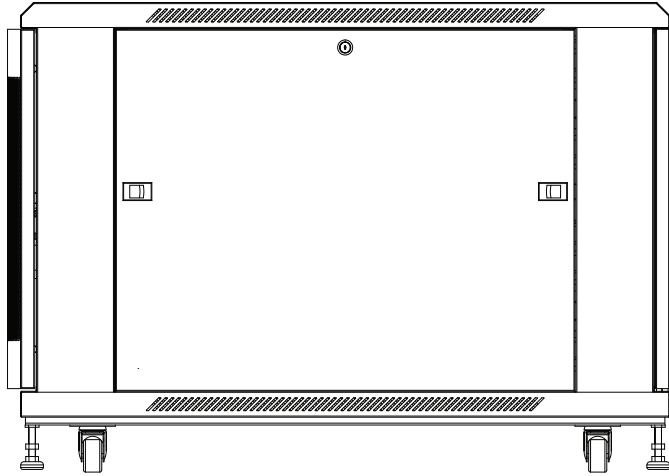
Resellers/Business Development/OEM Partners

All Channel National and International Resellers, VARs, Consultants ...

contact Rocstor Channel Sales: call: +1 (818) 727-7000
Email: reseller_info@Rocstor.com

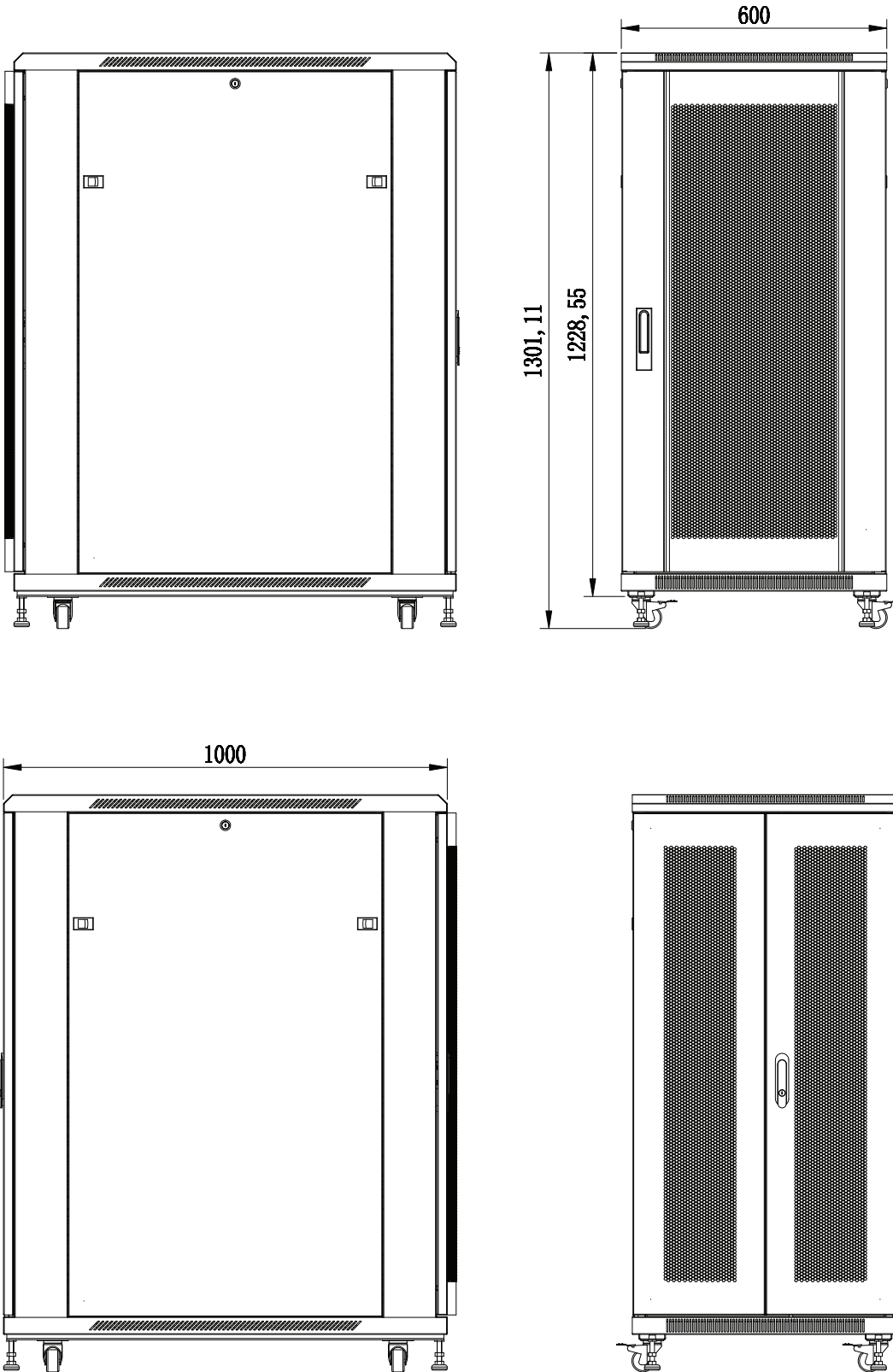
Unit Dimension (Y10E065-B1)

Dimension Unit : Millimeter (mm)



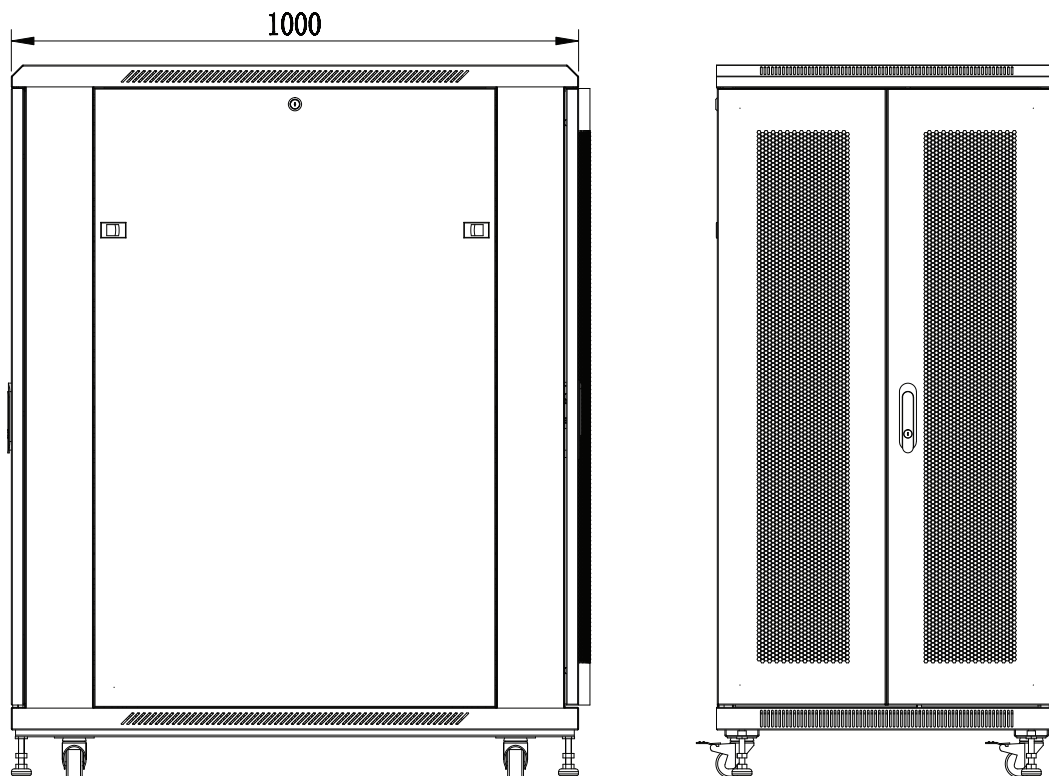
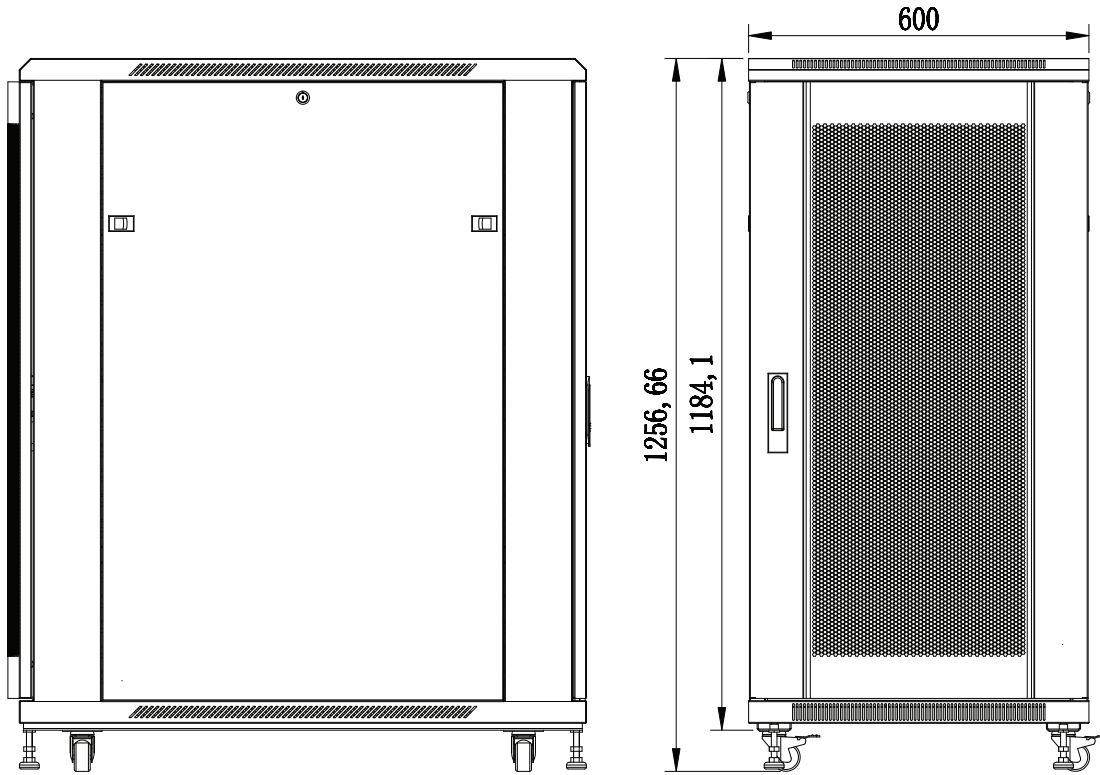
Unit Dimension (Y10E064-B1)

Dimension Unit : Millimeter (mm)



Unit Dimension (Y10E066-B1)

Dimension Unit : Millimeter (mm)



Unit Dimension (Y10E067-B1)

Dimension Unit : Millimeter (mm)

