

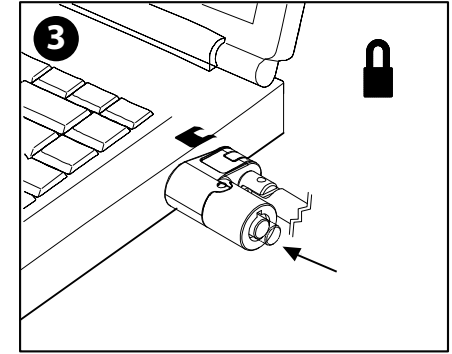
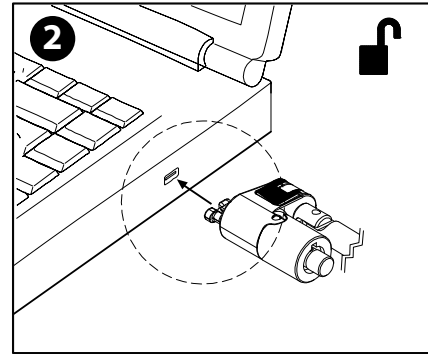
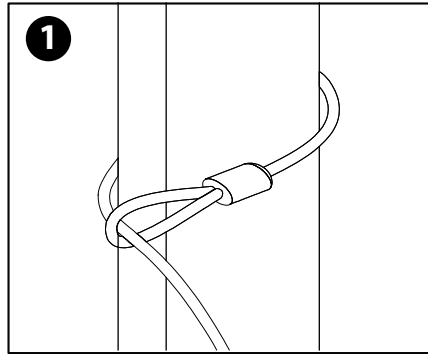
Rocbolt W24 Slim Keyed Security Laptop Lock for Noble Wedge Slots - 5mm Steel Cable, (2) Keys Included- With 6.6 ft Cable - TAA Compliant

Y1RB031-B1

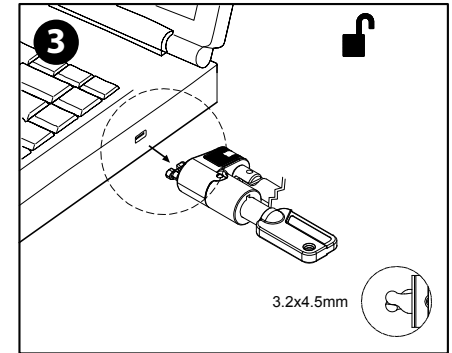
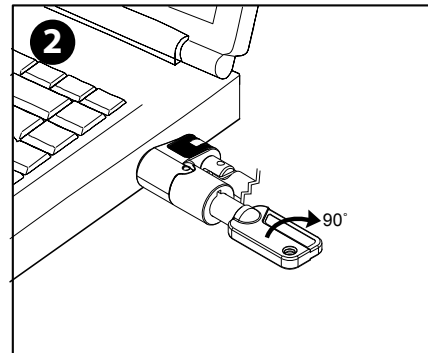
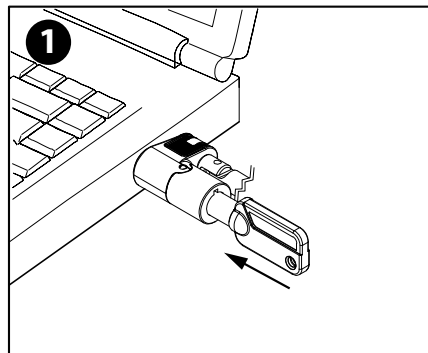
Congratulations!

On your new Rocstor Rocbolt W24 Slim Keyed Security Laptop Lock for Noble Wedge Slots - 5mm Carbon Steel Cable, (2) Keys Included - 360-Degree Swivel Head Rotation - With - 6.6 ft Heavy-duty Cable - Fits Ultra-thin Laptops - TAA Compliant

To Lock:



To Open:



Rocbolt Security Lock Register & Access

Enregistrement et accès au verrou de sécurité Rocbolt
Registro y acceso a la cerradura de seguridad Rocbolt



locks.rocstor.com

#

Technical Support

Technical support is available to all registered users of Rocstor products. Technical Support contact information can be found on www.rocstor.com

Telephone Support

There is no charge for technical support except long-distance charges where applicable. Please visit www.rocstor.com Monday to Friday 9:00 am to 6:00 pm Pacific Standard Time.

Technical Support

+1 (818) 727-7000 - Office

+1 (818) 875-0002 - Fax

support@rocstor.com

limited Two Year Warranty

Rocstor warrants this product against defects in material and workmanship for five years. Rocstor will supply, at its option, comparable new and rebuilt replacements for defective parts and will pay the labor charges to repair the product found to be defective. The dated bill of sale as evidence of the original purchase price along with the defective product is required.

©2024 Rocstor, Inc. Rocstor is registered trademark of Rocstor, Inc. Kensington and Nanosaver is a registered trademark of Acco Brands Corporation. Wedge Lock is a trademark of Noble Security, Inc. All other trademarks, service marks, and trade names referenced in this document are the property of their respective owners. We reserve the rights to make changes without further notice to a product or system described herein to improve reliability, function or design.

