

INSTALLATION INSTRUCTIONS

C-DMM-3025 Flip up Dash Monitor Mount for

2019-2024 Ram 1500 DT Model Retail Pickup Truck (5th Gen)

2020-2024 Ram 2500 & 3500 DJ & D2 Model Retail Pickup Truck (5th Gen)

2019-2024 Ram 3500 DD & DF / 4500 DP / 5500 DP Chassis Cab Truck (5th Gen)

****Compatible with 5-Inch and 8.4-Inch Radio Display ONLY****

TOOLS REQUIRED:

- Ratchet Wrench
- Socket Set
- 7/16" Open End Wrench
- T-20 Torx bit
- Phillips Screwdriver (short)
- Dash panel removal tool
- Wire strippers/cutters

HARDWARE and PARTS shipped loose for installation:

<u>QTY</u>	<u>DESCRIPTION</u>	<u>PART#</u>
1	Upper mount bracket	27146
1	Top tray / bracket	27147
1	Lower mount bracket	27148
2	#8 x 1-1/2 Phillips pan head SMS	25938
2	#8 Flat washer	16151
8	10-32 x 1/2 PPHMS	16399
8	#10 flat washer	16120
2	1/4" Flat washer	16122
2	1/16" Nylon Washer	13406
2	1/4-20 Nylock nut	16009
2	1/4-20 x 3/4" Carriage bolt	16223
1	PVC Spacer	22608
1	VESA 75 Swivel adaptor	22607

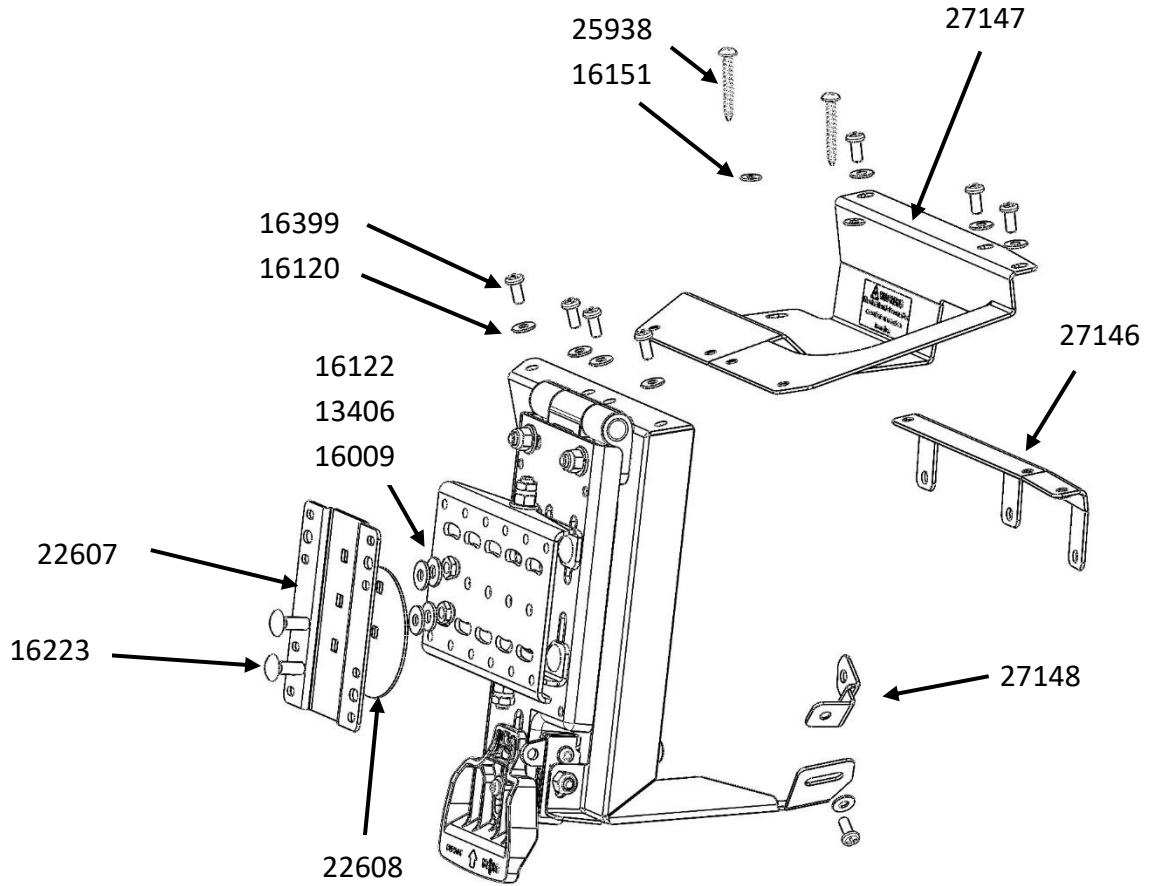
Notes:

1. Swivel plate for mounting to a device has VESA 75 hole pattern
2. ****Compatible with 5-Inch and 8.4-Inch Radio Display ONLY****

ALWAYS!

- Read all instructions before installing any Havis, Inc products.
 - Use hardware provided with install kit

C-DMM-3025
Exploded View



C-DMM-3025 Assembled





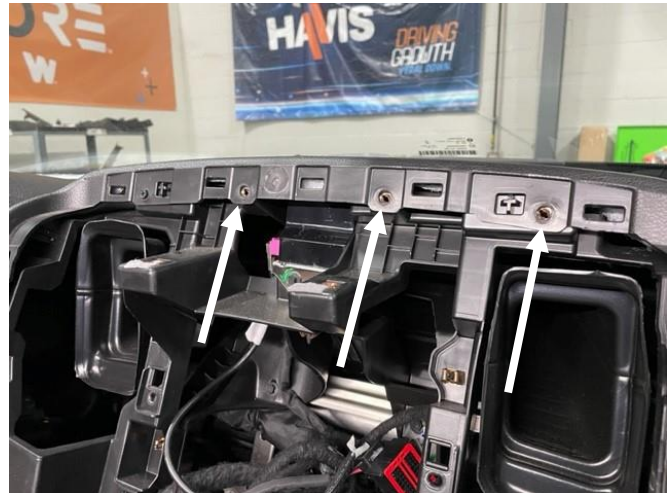
Dodge Ram Pickup dash with Uconnect® 3 Radio with 5-Inch Display prior to installation.



Carefully remove center instrument panel.



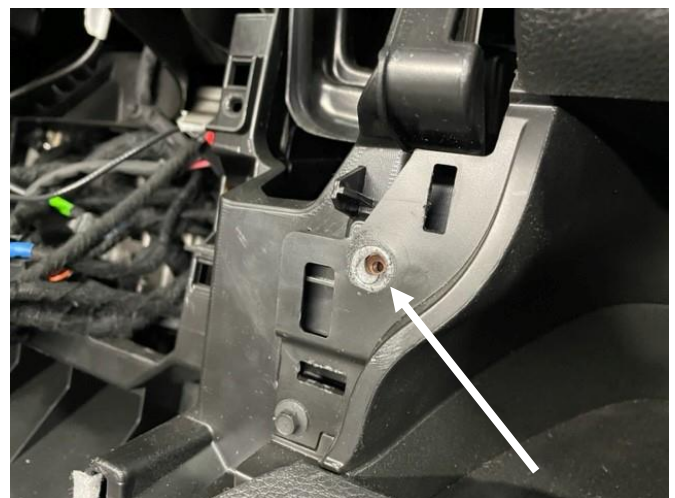
Remove three (3) screws in upper dash.
(Phillips screwdriver)



Three (3) screws in upper dash removed.
Save screws.



Attach upper mount bracket (27146) to dash using previously removed OEM screws.



Remove screw at lower side of dash.
(7mm socket) Save screw



Attach Lower mount bracket (27148) to dash using previously removed OEM screw.



Reinstall center instrument panel. Upper bracket will come out through the small gap in trim panel.



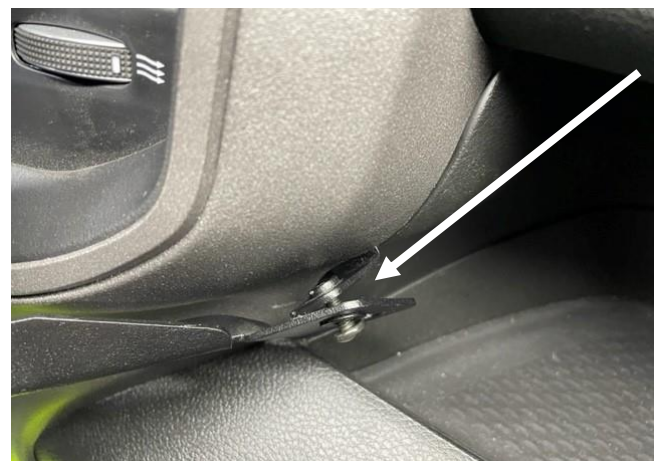
Reinstall center instrument panel. Lower bracket will come out through the small gap in trim panel.



Attach top tray / bracket (27147) to Upper bracket with (3) 10/32 x 1/2 screws and flat washers. Also attach tray to dash with (2) 8 x 1-1/2 PPHSMS and flat washers.



Attach main frame / hinge assembly to top tray / bracket with (4) 10/32 x 1/2 screws and flat washers.



Attach main frame / hinge assembly to lower bracket with (1) 10/32 x 1/2 screw and flat washer. **Note: Brackets may not lay flat together, but will bend as needed when screw is tightened.**



Position VESA plate on back of Device as desired. Attach VESA plate with carriage bolts to the back of the dock. The gray PVC washer will go between this bracket and the DMM swivel plate.



Attach to DMM swivel plate using 1/4"x 3/4" carriage bolts, PVC spacer, nylon washers, steel washers, and nylock nuts. Tighten so that the dock rotates smoothly.



Route wiring along the side of the DMM flip up frame using wire ties and existing holes.



Test up / down and side to side motion to confirm wires have adequate slack and strain relief.



Push up latch to release and lift

Check and adjust positioning as desired. Test for proper latching in closed position.



Test computer. Installation is now complete.