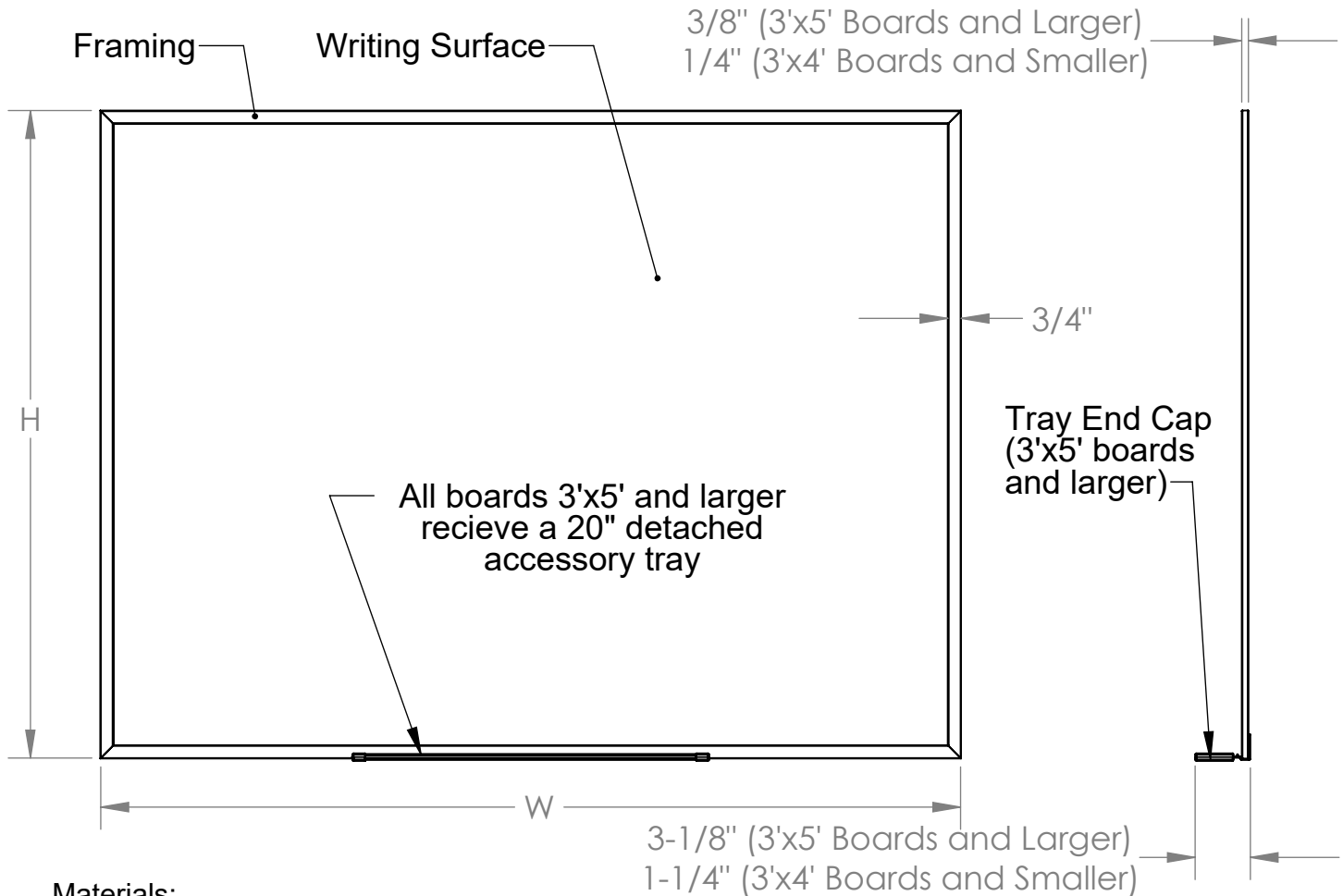


M2 Series

Aluminum Framed Acrylate WhiteBoards



Materials:

- Framing and Detached Accessory Tray: Satin anodized aluminum extrusion
- Writing Surface:
 - 3'x4' boards and smaller - acrylate applied to 1/8" thick tempered hardboard
 - 3'x5' boards and larger - acrylate applied to 1/4" thick tempered hardboard
- Detached Accessory Tray End Caps (3'x5' boards and larger): Gray thermoplastic.

Features:

- Ghent "L" hangers are included.
- An eraser and a black marker are included with each 3' X 5' and larger boards.
- Board is guaranteed for 10 years
- Made in the USA

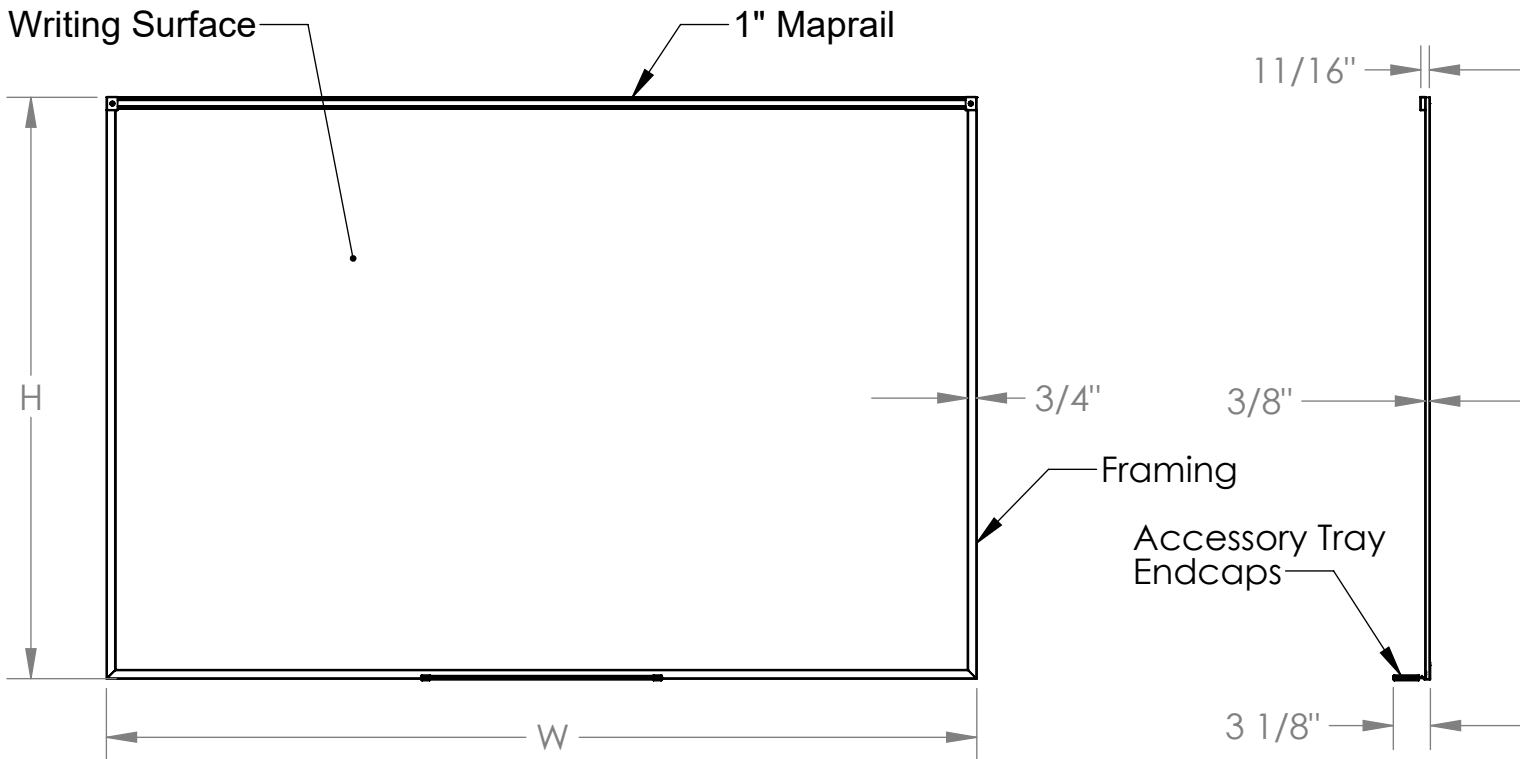
Notes:

- Wall mounting fasteners are not included.
- Indoor use only.
- * Board constructed of two panels joined with a white middle joiner strip.

Part Number	H	W
M2-18-1	17-13/16"	23-13/16"
M2-23-1	23-13/16"	35-13/16"
M2-34-1	36-7/16"	48-15/32"
M2-35-4	36-7/16"	60-15/32"
M2-44-4	48-15/32"	48-15/32"
M2-45-4	48-15/32"	60-15/32"
M2-46-4	48-15/32"	72-1/2"
M2-47-4	48-15/32"	87-29/32"
M2-48-4	48-15/32"	96-17/32"
M2-410-4*	48-15/32"	120-19/32"
M2-412-4*	48-15/32"	144-19/32"

M2-M Series

Aluminum Framed Acrylate with 1" Maprail



Materials:

- Framing and detached accessory tray: Satin anodized aluminum extrusion
- Writing surface: Acrylate applied to 1/4" tempered hardboard
- Detached accessory tray end caps: Gray thermoplastic.
- Maprail Strip: Natural Cork

Features:

- Ghent "L" hangers are included.
- Board is guaranteed for 10 years.
- Made in the USA.

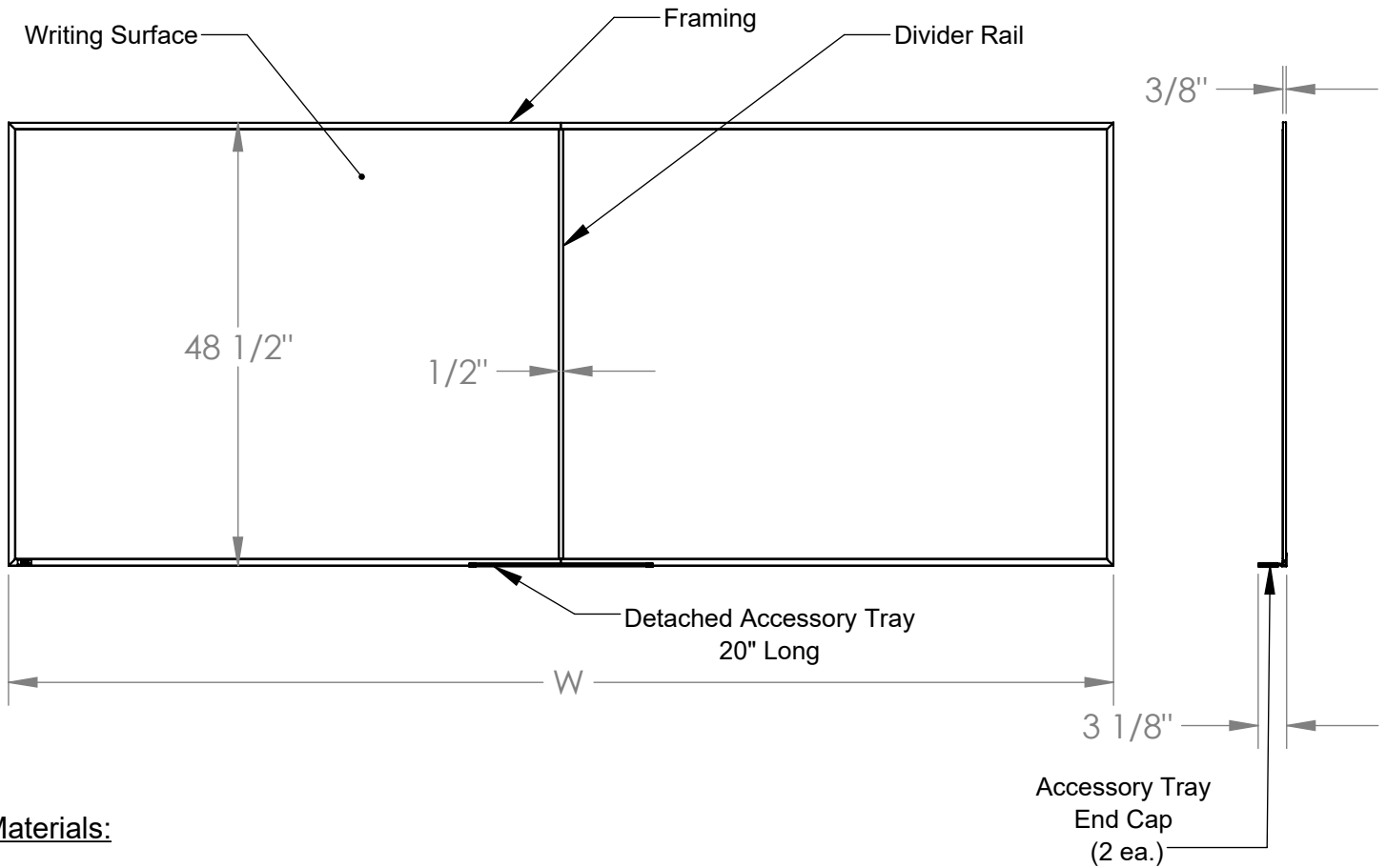
Notes:

- Wall mounting fasteners are not included.
- For indoor use only.

Part Number	H	W
M2-46-4M	48-15/32"	72-1/2"
M2-47-4M	48-15/32"	87-29/32"
M2-48-4M	48-15/32"	96-17/32"

2 Piece Acrylate Whiteboards / M2-4XX-4-2P

Product Specifications



Materials:

- Framing and Detached Accessory Tray: Satin anodized aluminum extrusion
- Divider Rail: White power coated aluminum extrusion
- Writing Surface: Acrylate dry erase surface applied to 1/4" tempered hardboard
- Detached Accessory Tray End Caps: Gray thermoplastic.

Features:

- Ghent "L" hangers are included.
- An eraser and black marker are included.
- White board shipped in one carton.
- Board is guaranteed 10 years.
- Made in the USA.

Part Number	W
M2-410-4-2P	120-3/4"
M2-412-4-2P	144-1/2"

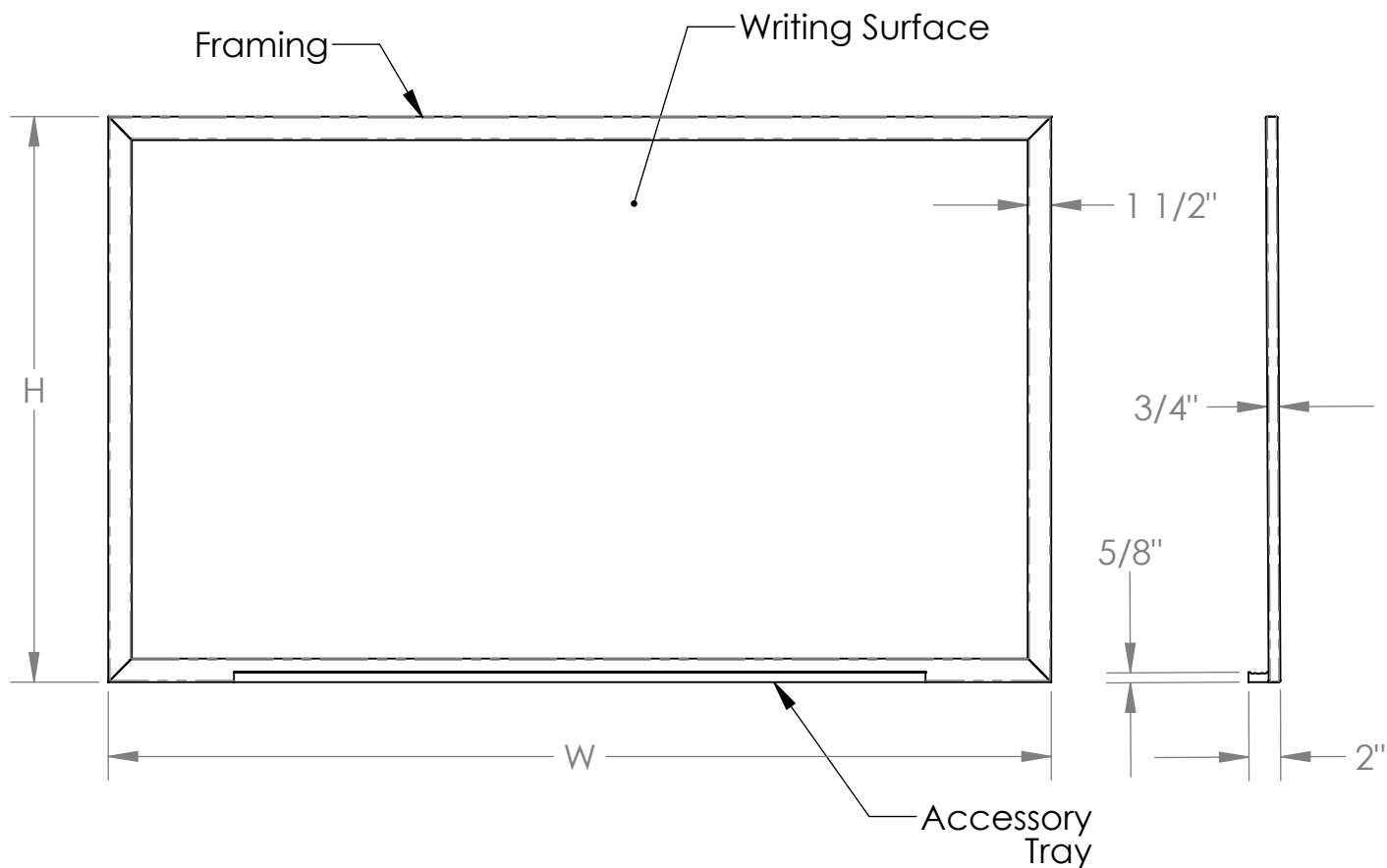
Notes:

- Wall mounting fasteners are not included.
- For indoor use only.

M2W Series

ghent.

Wood Framed Acrylate Whiteboards



Materials:

- The board framing is clear coated solid red oak.
- The writing surface is acrylate applied to 1/8" thick hardboard

Features:

- Board hangers are included.
- The board is guaranteed for 10 years.
- Available in (8) sizes: 18"H x 24"W, 2'H x 3'W, 3'H x 4'W, 3'H x 5'W, 4'H x 4'W, 4'H x 5'W, 4'H x 6'W, and 4'H x 8'W.

Notes:

- Wall mounting hardware is not included.
- Indoor use only