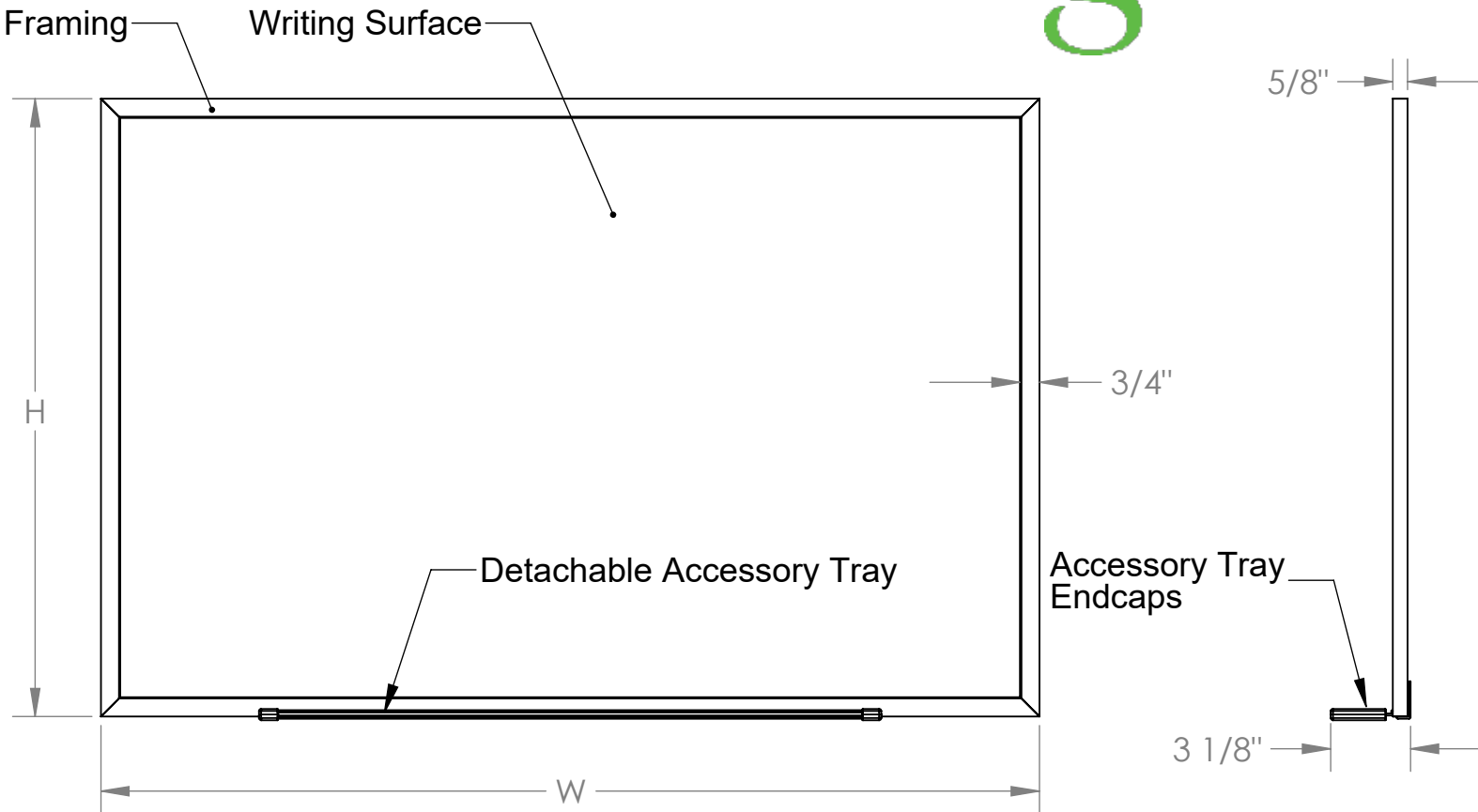


M1 Series

Aluminum Framed Porcelain



Materials:

- Framing and detached accessory tray: Satin anodized aluminum extrusion
- Writing surface: White porcelain coated 28 gauge - steel laminated to 3/8" thick fiberboard, with an aluminum plated polyester film backing.
- Detached accessory tray end caps: Gray thermoplastic.

Features:

- Porcelain surface is inherently magnetic
- Ghent "L" hangers are included.
- An eraser and black marker is included with 3' X 5' and larger boards.
- Board is guaranteed for 50 years.
- Made in the USA.

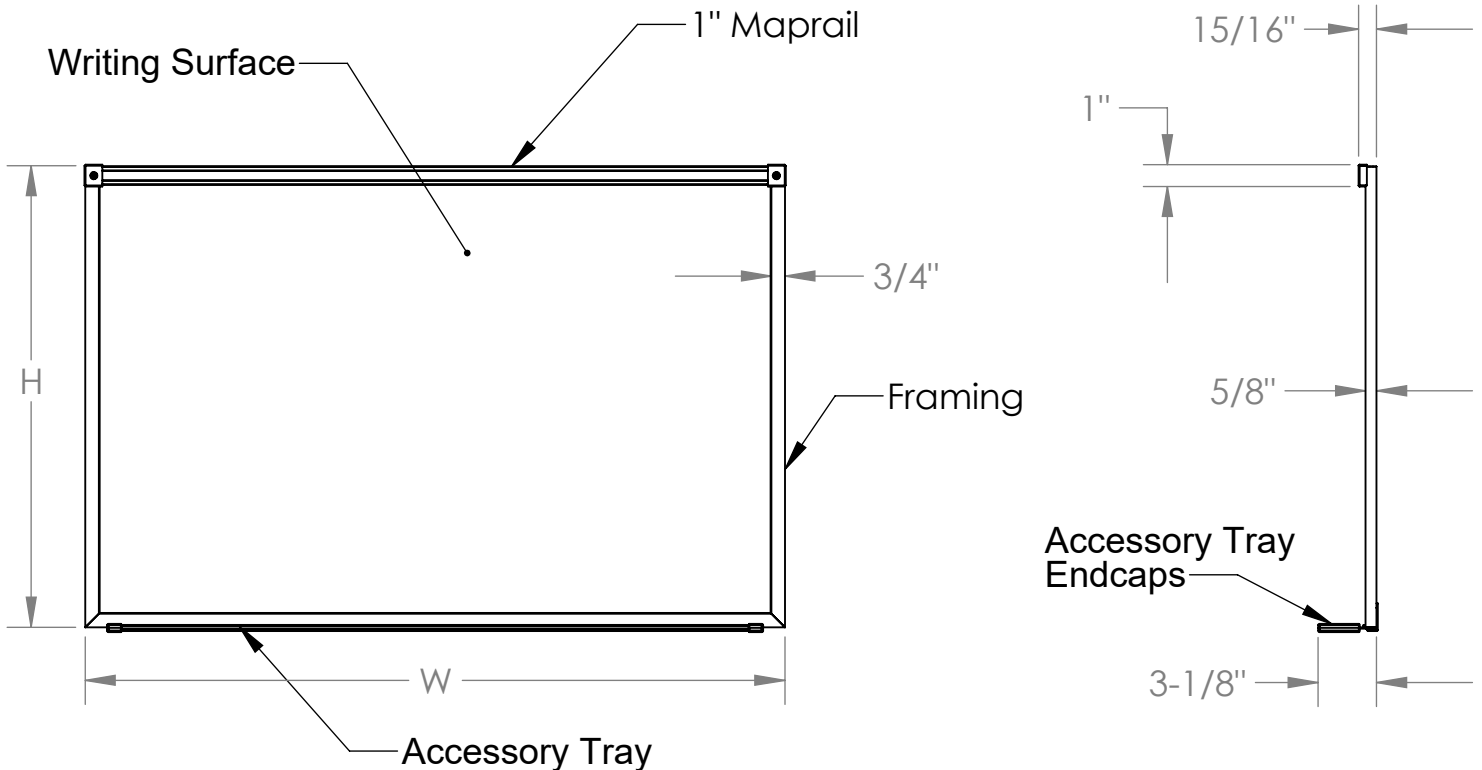
Notes:

- Wall mounting fasteners are not included.
- For indoor use only.
- *Board constructed of two panels with a white middle joiner strip

Part Number	H	W
M1-23-1	24"	36-7/16"
M1-34-1	36-7/16"	48-15/32"
M1-35-1	36-7/16"	60-15/32"
M1-44-4	48-15/32"	48-15/32"
M1-45-4	48-15/32"	60-15/32"
M1-46-4	48-15/32"	72-1/2"
M1-47-4	48-15/32"	87-29/32"
M1-48-4	48-15/32"	96-17/32"
M1-410-4	48-15/32"	120-19/32"
M1-412-4	48-15/32"	144-19/32"
M1-416-4*	48-15/32"	192-19/32"

M1-1M Series

Aluminum Framed Porcelain with 1" Maprail



Materials:

- Framing and detached accessory tray: Satin anodized aluminum extrusion
- Writing surface: White porcelain coated 28 gauge - steel laminated to 3/8" thick fiberboard, with an aluminum plated polyester film backing.
- Detached accessory tray end caps: Gray thermoplastic.
- Maprail Strip: Natural Cork

Features:

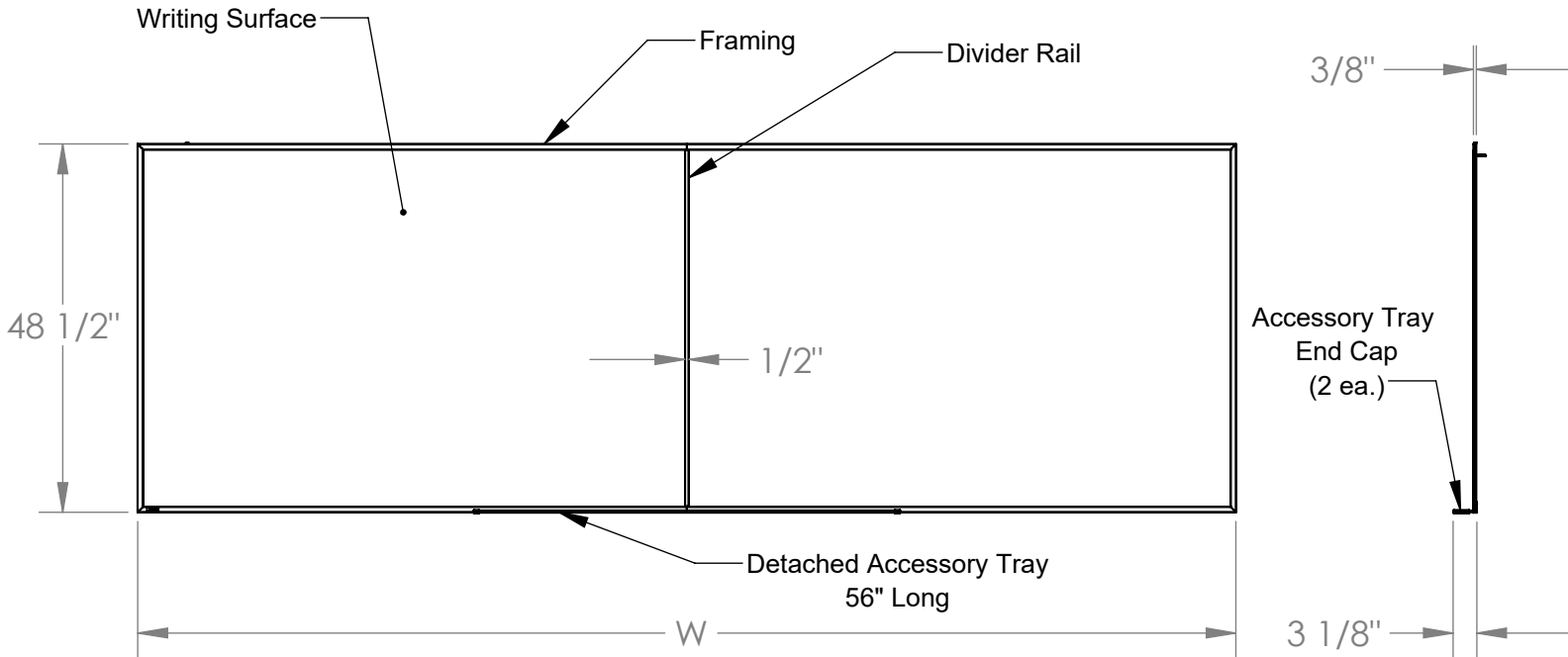
- Ghent "L" hangers are included.
- An eraser and black marker is included with 3' X 5' and larger boards.
- Available in the following NOMINAL sizes:
2'H x 3'W, 3'H x 4'W, 3'H x 5'W, 4'H x 4'W, 4'H x 5'W, 4'H x 6'W, 4'H x 8'W, 4'H x 10'W,
4'H x 12'W, or 4'H x 16'W (2 pcs)
- Board is guaranteed for 50 years.
- Made in the USA.

Notes:

- Wall mounting fasteners are not included.
- For indoor use only.

2 Piece 4'x12' Porcelain Whiteboard / M1-4XX-4-2P

Product Specifications



Materials:

- Framing and Detached Accessory Tray: Satin anodized aluminum extrusion.
- Divider Rail: White power coated aluminum extrusion.
- Writing Surface: White porcelain coated 28 gauge - steel laminated to 1/4" thick tempered hardboard, with an aluminum plated polyester film backing.
- Detached Accessory Tray End Caps: Gray thermoplastic.

Features:

- Porcelain surface is inherently magnetic.
- Ghent "L" hangers are included.
- An eraser and black marker are included.
- Whiteboard shipped in one carton.
- Board is guaranteed 50 years.
- Made in the USA.

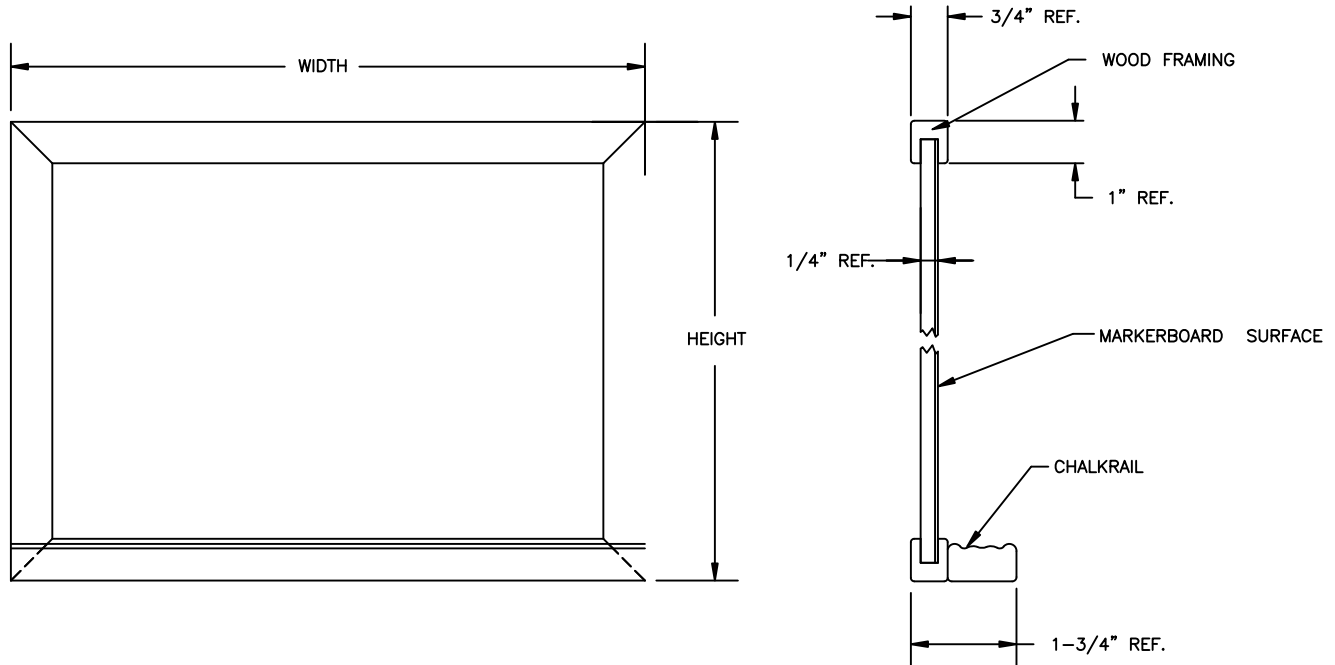
Part Number	W
M1-410-4-2P	120-3/4"
M1-412-4-2P	144-1/2"
M1-415-4-2P	175-1/2"

Notes:

- Wall mounting fasteners are not included.
- For indoor use only.

M1W Series

WOOD FRAMED PORCELAIN WHITEBOARD



Specifications

Wood framing to be clear-coated oak.

Framing to be permanently attached to the porcelain writing panel.

Writing panel shall be 28ga porcelain-on-steel laminated to 1/4" hardboard with a mylar backing.

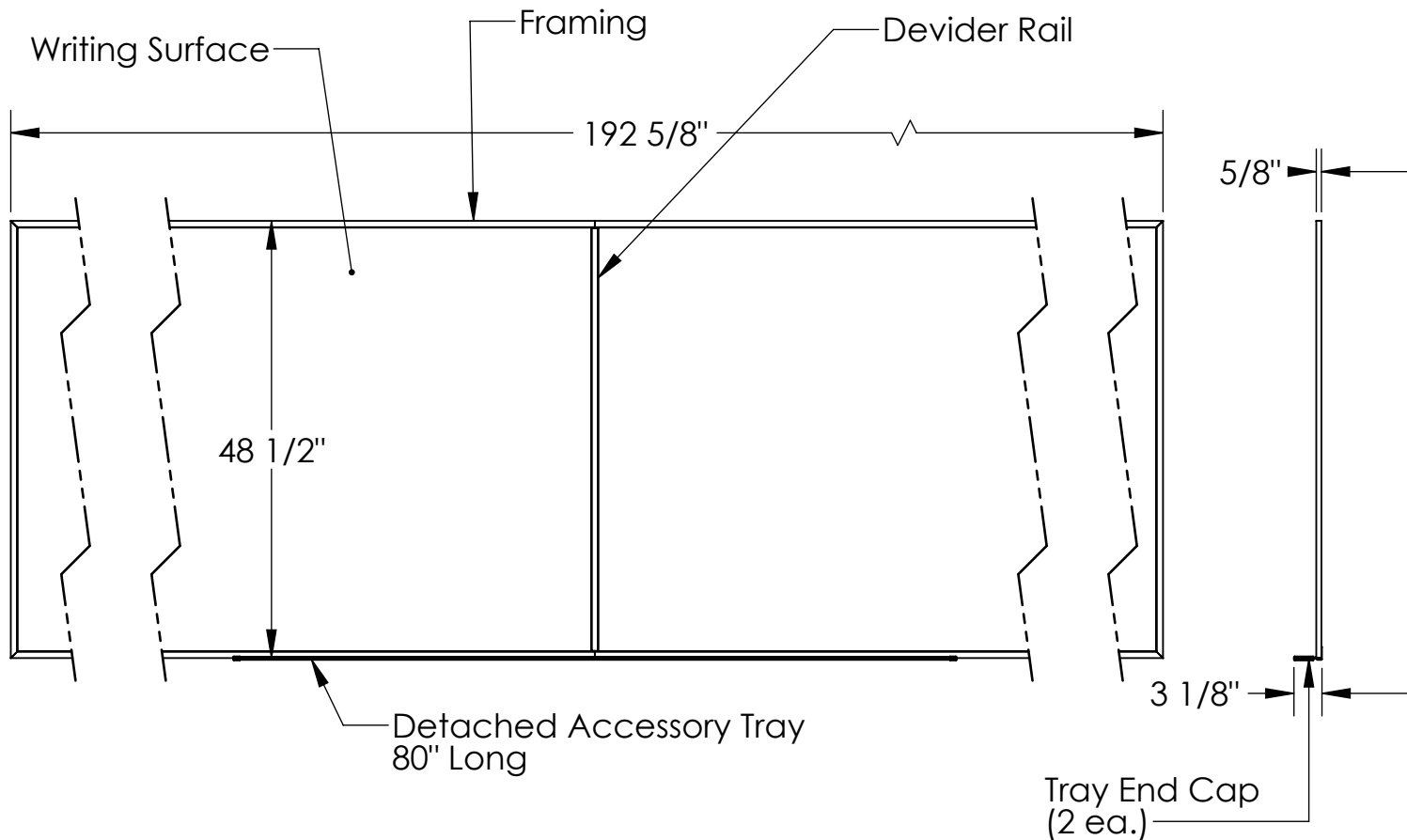
Carries a 50-year guarantee.

Available in sizes 3'Hx4'W, 4'Hx4'W, 4'Hx5'W, 4'Hx6'W, 4'Hx'8'W, 4'Hx10'W, and 4'Hx12'W.

M1-416

16' (2 Pc.) Aluminum Framed Porcelain Marker Board

ghent®



Materials:

- Framing and Detached Accessory Tray: Satin anodized aluminum extrusion
- Divider Rail: White power coated aluminum extrusion
- Writing Surface: White porcelain coated 28 gage - steel laminated to 3/8" thick fiberboard, with a mylar film backing.
- Detached Accessory Tray End Caps: Gray thermoplastic.

Features:

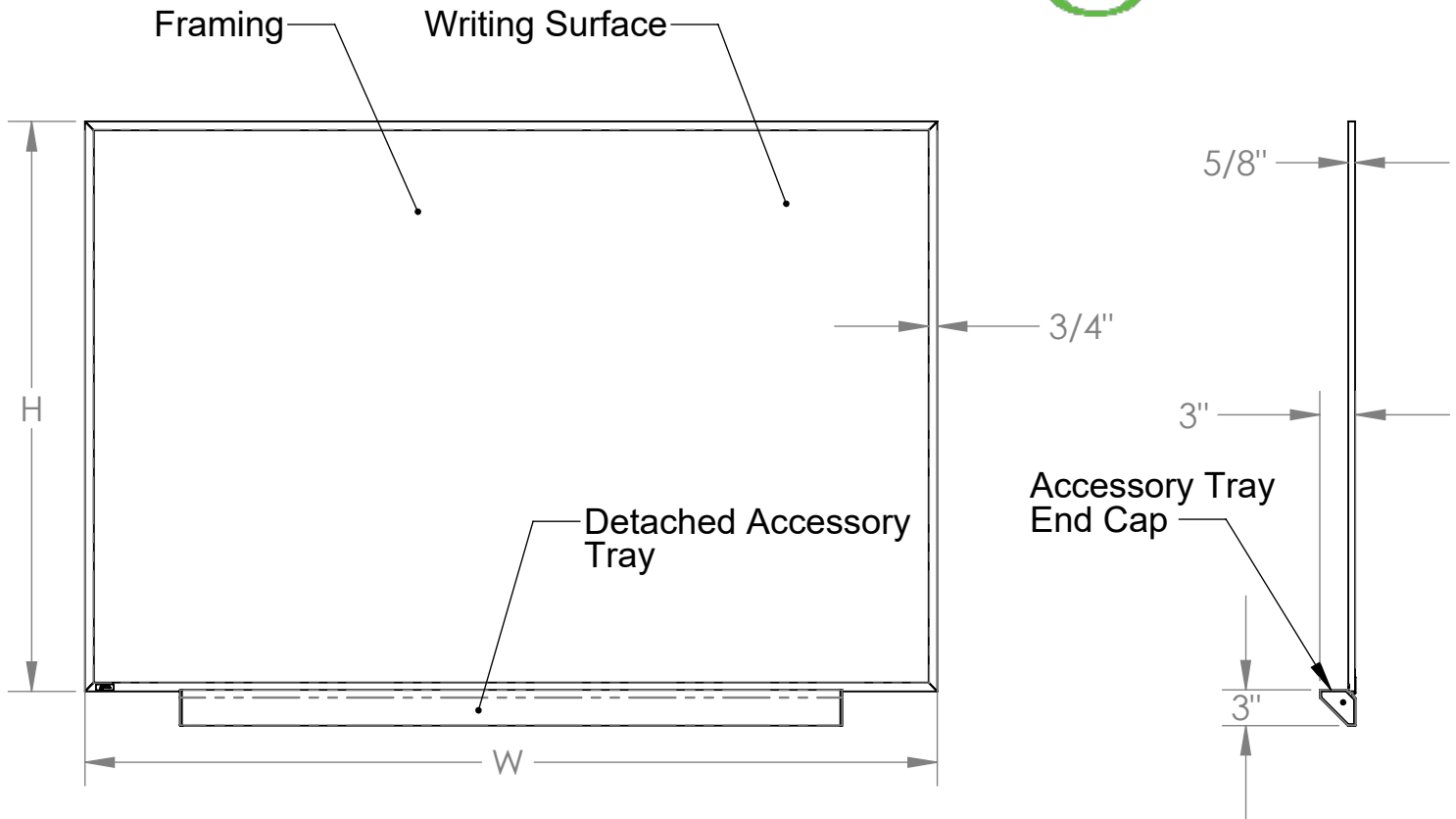
- Board hangers are included.
- An eraser and black marker are included.
- Board is guaranteed 50 years.

Notes:

- Wall mounting fasteners are not included.
- For indoor use only.

A2M Series

Aluminum Framed Porcelain Whiteboards



Materials:

- Framing and detached accessory tray: Satin anodized aluminum extrusion
- Writing surface: White porcelain coated 28 gauge steel laminated to 3/8" thick fiberboard, with an aluminum plated polyester film backing.
- Detached accessory tray end caps: Gray thermoplastic.

Features:

- Porcelain surface is inherently magnetic.
- Ghent "L" hangers are included.
- An eraser and black marker are included with each board.
- Available in the following sizes:
- Board is guaranteed 50 years.
- Made in the USA

Notes:

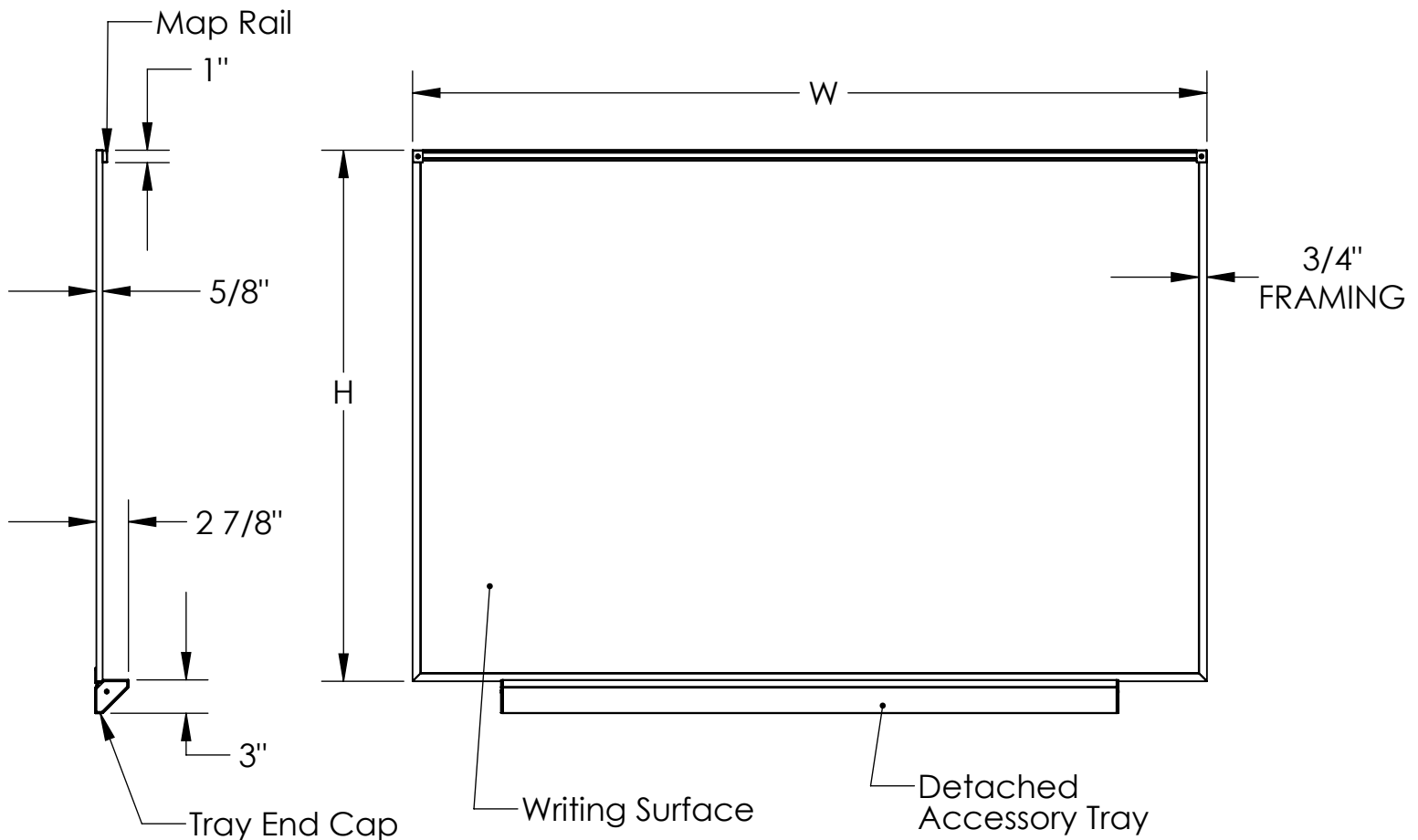
- Wall mounting fasteners are not included
- For indoor use only.
- *Board constructed of two panels with a white middle divider strip.

Part Number	H	W
A2M46	48-15/32"	72-1/2"
A2M47	48-15/32"	87-29/32"
A2M48	48-15/32"	96-17/32"
A2M410	48-15/32"	120-19/32"
A2M412	48-15/32"	144-19/32"
A2M416*	48-15/32"	192-19/32"

A2M-M Series

Aluminum Framed Porcelain Whiteboards with Maprails

ghent.



Materials:

- Framing, maprail track, and detached accessory tray: Satin anodized aluminum extrusion
- Writing surface: White porcelain coated 28 guage steel laminated to $3/8''$ thick fiberboard, with a mylar film backing.
- Maprail strip: Natural cork
- Detached accessory tray end caps: Gray thermoplastic.

Features:

- Board hangers are included.
- An eraser and black marker are included with each board.
- Available in the following sizes:
4'H x 6'W, 4'H x 8'W, 4'H x 10'W, or 4'H x 12'W,
- Board is guaranteed 50 years.

Notes:

- For indoor use only.