

E23363

First Edition / April 2024

IN SEARCH OF INCREDIBLE



Service Manual

ASUS

COPYRIGHT INFORMATION

No part of this manual, including the products and software described in it, may be reproduced, transmitted, transcribed, stored in a retrieval system, or translated into any language in any form or by any means, except documentation kept by the purchaser for backup purposes, without the express written permission of ASUSTeK COMPUTER INC. ("ASUS").

ASUS PROVIDES THIS MANUAL "AS IS" WITHOUT WARRANTY OF ANY KIND, EITHER EXPRESS OR IMPLIED, INCLUDING BUT NOT LIMITED TO THE IMPLIED WARRANTIES OR CONDITIONS OF MERCHANTABILITY OR FITNESS FOR A PARTICULAR PURPOSE. IN NO EVENT SHALL ASUS, ITS DIRECTORS, OFFICERS, EMPLOYEES OR AGENTS BE LIABLE FOR ANY INDIRECT, SPECIAL, INCIDENTAL, OR CONSEQUENTIAL DAMAGES (INCLUDING DAMAGES FOR LOSS OF PROFITS, LOSS OF BUSINESS, LOSS OF USE OR DATA, INTERRUPTION OF BUSINESS AND THE LIKE), EVEN IF ASUS HAS BEEN ADVISED OF THE POSSIBILITY OF SUCH DAMAGES ARISING FROM ANY DEFECT OR ERROR IN THIS MANUAL OR PRODUCT.

Products and corporate names appearing in this manual may or may not be registered trademarks or copyrights of their respective companies, and are used only for identification or explanation and to the owners' benefit, without intent to infringe.

SPECIFICATIONS AND INFORMATION CONTAINED IN THIS MANUAL ARE FURNISHED FOR INFORMATIONAL USE ONLY, AND ARE SUBJECT TO CHANGE AT ANY TIME WITHOUT NOTICE, AND SHOULD NOT BE CONSTRUED AS A COMMITMENT BY ASUS. ASUS ASSUMES NO RESPONSIBILITY OR LIABILITY FOR ANY ERRORS OR INACCURACIES THAT MAY APPEAR IN THIS MANUAL, INCLUDING THE PRODUCTS AND SOFTWARE DESCRIBED IN IT.

Copyright © 2024 ASUSTeK COMPUTER INC. All Rights Reserved.

LIMITATION OF LIABILITY

Circumstances may arise where because of a default on ASUS' part or other liability, you are entitled to recover damages from ASUS. In each such instance, regardless of the basis on which you are entitled to claim damages from ASUS, ASUS is liable for no more than damages for bodily injury (including death) and damage to real property and tangible personal property; or any other actual and direct damages resulted from omission or failure of performing legal duties under this Warranty Statement, up to the listed contract price of each product.

ASUS will only be responsible for or indemnify you for loss, damages or claims based in contract, tort or infringement under this Warranty Statement.

This limit also applies to ASUS' suppliers and its reseller. It is the maximum for which ASUS, its suppliers, and your reseller are collectively responsible.

UNDER NO CIRCUMSTANCES IS ASUS LIABLE FOR ANY OF THE FOLLOWING: (1) THIRD-PARTY CLAIMS AGAINST YOU FOR DAMAGES; (2) LOSS OF, OR DAMAGE TO, YOUR RECORDS OR DATA; OR (3) SPECIAL, INCIDENTAL, OR INDIRECT DAMAGES OR FOR ANY ECONOMIC CONSEQUENTIAL DAMAGES (INCLUDING LOST PROFITS OR SAVINGS), EVEN IF ASUS, ITS SUPPLIERS OR YOUR RESELLER IS INFORMED OF THEIR POSSIBILITY.

SERVICE AND SUPPORT

Visit our multi-language website at <https://www.asus.com/support/>

Table of Contents

Chapter 1: Introduction

Disclaimer	8
Safety precautions.....	8
Pre-repair checklist	10
Installation tools.....	11
Accessories.....	11
Software repair tools	11
Major components.....	12

Chapter 2: Service Procedures

Keyboard module	18
Removal	19
Installation	22
Touchpad.....	24
Removal	25
Installation	27
Battery	29
Removal	30
Installation	32
WLAN module.....	34
Removal	35
Installation	36
LTE module (on selected models).....	37
Removal	38
Installation	39
Speakers.....	40
Removal	41
Installation	42

Stylus charger (on selected models).....	43
Removal	44
Installation	46
Motherboard	48
Removal	49
Installation	52
I/O board.....	55
Removal	56
Installation	57
Display panel module	58
Removal	59
Installation	64
Display panel (Touch model).....	69
Removal	70
Installation	74
Display panel (11.6" Non-touch model).....	78
Removal	79
Installation	83
Display panel (12.2" Non-touch model).....	88
Removal	89
Installation	94
Camera module.....	100
Removal	101
Installation	102

Top cover	103
Removal	104
Installation	109
Bottom cover.....	113
Removal	114
Installation	115

Appendix

Wiring and connection diagrams	118
--------------------------------------	-----

Chapter 1: ***Introduction***

Disclaimer

ASUS is not responsible for direct, indirect, intentional or unintentional damages resulting from improper installation and operation.

Safety precautions

- Before handling components, use a grounded wrist strap or touch a safely grounded object to avoid damaging them due to static electricity.
- Keep liquids or moisture away from your device to avoid short circuits.
- Remove rings, watches, and any other metal objects from your hands.
- Hold components by the edges to avoid touching the ICs.
- Properly install all components before connecting the AC power.
- Do not use power adapters or batteries from other devices to reduce the risk of injury to persons due to fire or explosion. Use only certified power adapters or batteries supplied by the manufacturer or authorized retailers.
- Detach all clips or flaps before removing cables to prevent damage.

- Disconnect cables, connectors, and power plugs by pulling the plug evenly to avoid damage.
- Use the correct screw models on your device to prevent damage.
- Confirm that the cable orientation is correct before connecting any cables.
- Fully remove all adhesive residue after removing and before installing any components.
- Photograph the appearance of cables, cable routing, connectors, and screws for later reference before proceeding with each step.

Pre-repair checklist

- Read the entire manual before starting any service procedures and follow all instructions.
 - Back up the data on your device.
 - Place your device on a clean and stable surface.
 - Turn off your device.
 - Disconnect all connected peripherals and cables.
 - Disconnect all power cables and remove the battery pack (if applicable).
-

IMPORTANT!

- If you are uncertain about performing the described service procedures, stop and contact an authorized service center for assistance.
 - Purchase replacement components from authorized retailers of this device to ensure maximum compatibility and reliability.
-

NOTE:

- The illustrations are for reference only.
 - The service procedures described in this manual depend on the model configuration and may not reflect the entire servicing process. To service components that are not covered in this manual, please visit an authorized service center for further assistance.
 - Keep all adhesive tape, insulating materials, screws, and other removable items in a safe place until the service procedure is completed, as they may be needed during installation.
-

Installation tools



Screwdriver



Plastic blade



Tweezers

Accessories



Power adapter

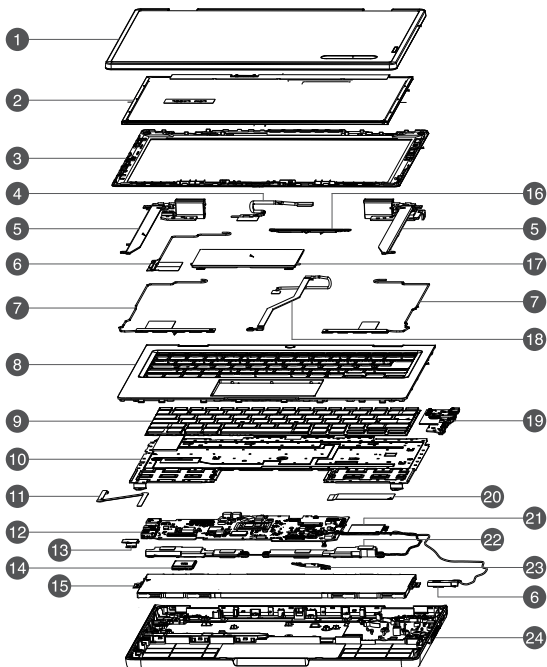
Software repair tools

After replacing certain system components, you may be required to download and run a repair tool to complete the service procedure.

For more information, visit www.asus.com/support/FAQ/1051611/.

Major components

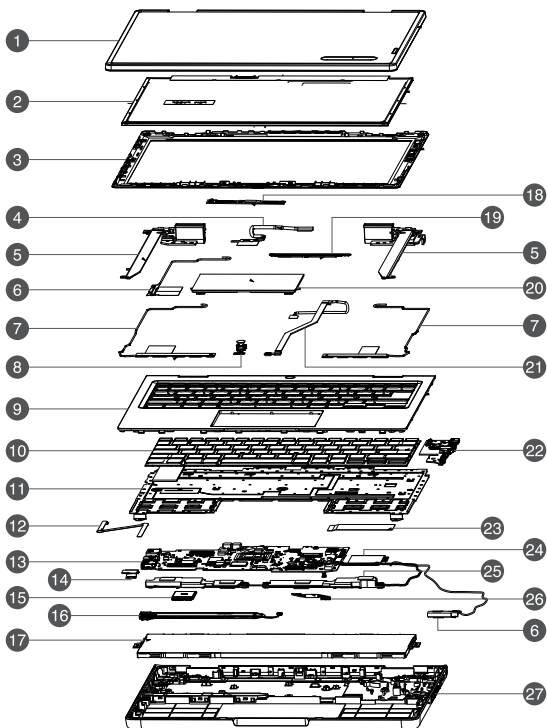
Non-touch model



1. Top cover
2. Display panel
3. Display bezel
4. eDP cable
5. Hinges
6. WLAN antenna
7. LTE antenna*
8. Keyboard module
9. Keyboard keys
10. Keyboard bracket
11. Touchpad cable
12. Motherboard
13. USB Type-C® bracket
14. WLAN module
15. Battery
16. Camera module
17. Touchpad
18. Camera cable
19. I/O board
20. I/O board cable
21. LTE module*
22. Speakers
23. Battery power cable
24. Bottom cover

** On selected models*

Touch model

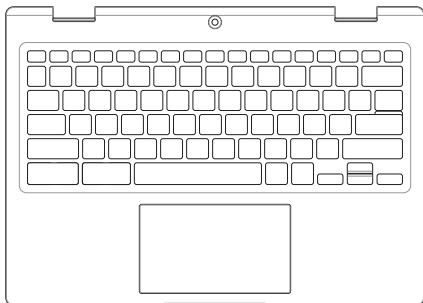


1. Top cover
2. Display panel
3. Display bezel
4. eDP cable
5. Hinges
6. WLAN antenna
7. LTE antenna*
8. World-facing camera
9. Keyboard module
10. Keyboard keys
11. Keyboard bracket
12. Touchpad cable
13. Motherboard
14. USB Type-C® bracket
15. WLAN module
16. Stylus storage slot*
17. Battery
18. Touch screen board
19. Camera module
20. Touchpad
21. Camera cable
22. I/O board
23. I/O board cable
24. LTE module*
25. Speakers
26. Battery power cable
27. Bottom cover

* *On selected models*

Chapter 2: ***Service Procedures***

Keyboard module



Before you begin

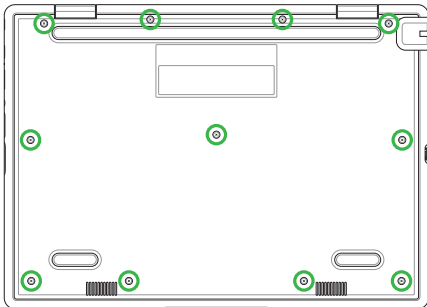
Read the **Safety Precautions** and complete the **Pre-repair Checklist**.

Screw list

- ⊕ M2.5 X 7.5L captive screw (11 pcs)

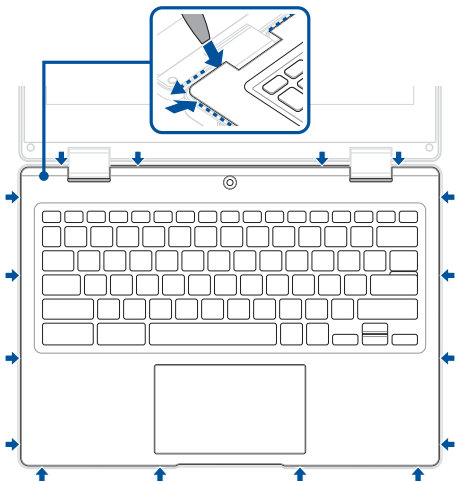
Removal

1. Loosen the captive screw(s) without removing the screw(s).



2. Flip your device over, then use the plastic blade to pry open the indicated area of the keyboard module as shown in the illustration below.

IMPORTANT! Avoid sliding the plastic blade along the side of your device or air vents to prevent damage.

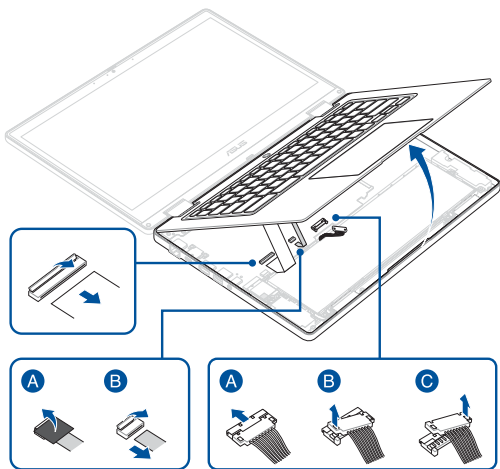


- Lift the keyboard module without removing it completely, then hold it in place above the chassis.
- Disconnect the battery power cable.

IMPORTANT!

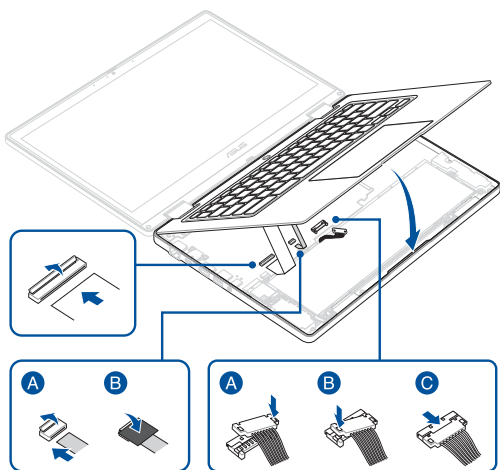
- Disconnect the battery power cable by lifting the side with the red wires first.
 - Serious risk of fire or explosion may occur if the battery is punctured. If you are uncertain about proceeding, stop and contact an authorized service center for assistance.
-

- Remove the tape, then disconnect the cable(s) and remove the keyboard module.

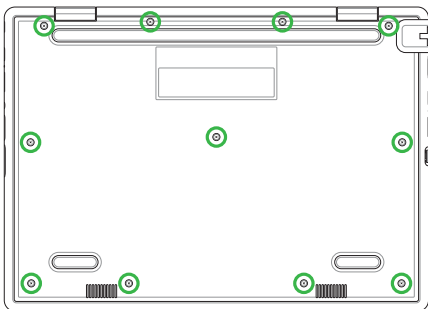


Installation

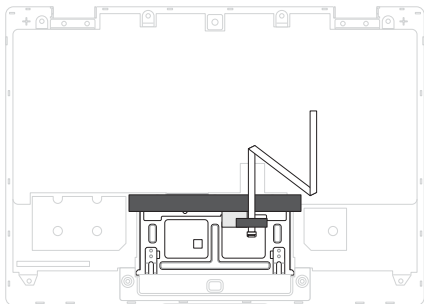
1. Align the keyboard module with the chassis, then hold it in place above the chassis.
2. Reconnect the cable(s), then reattach the tape.
3. Reconnect the battery power cable.
4. Lower the keyboard module, then gently press down on the keyboard module until it clicks into place.



5. Flip your device over, then secure the keyboard module by tightening the screw(s).



Touchpad



Before you begin

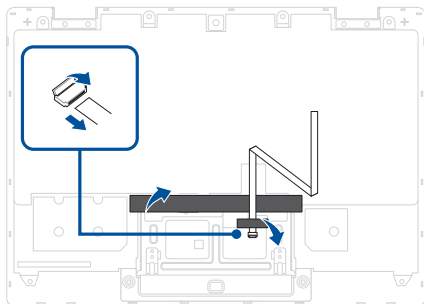
1. Read the **Safety Precautions** and **Pre-repair Checklist**.
2. Remove the following components:
 - Keyboard module

Screw list

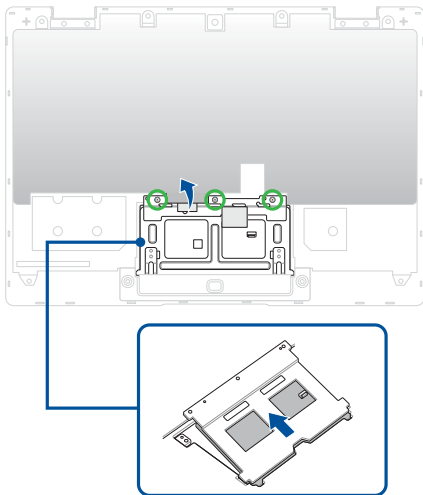
- ⊕ M2.0 X 2.0L (3pcs)

Removal

1. Disconnect the cable, then remove the tape and foam piece.

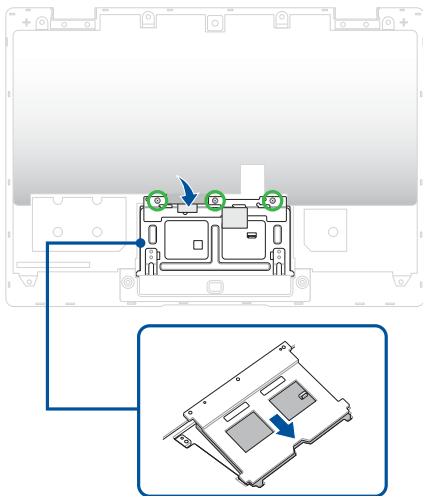


2. Partially peel off the polyester film.
3. Remove the screw(s), then remove the touchpad.

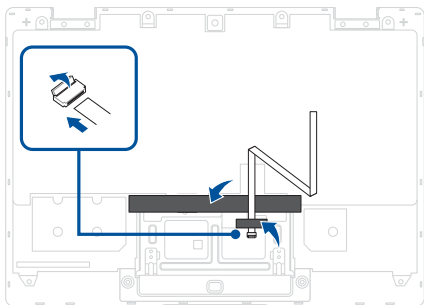


Installation

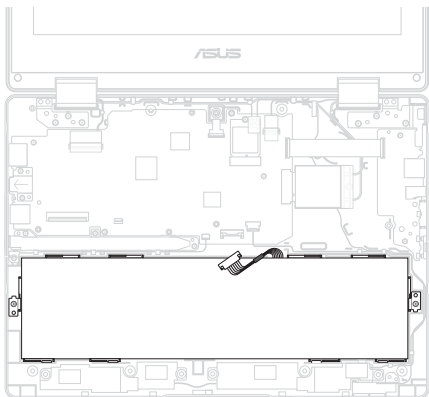
1. Install the touchpad, then secure the touchpad using the screw(s) you removed earlier.
2. Reattach the polyester film.



3. Reattach the tape and foam piece, then reconnect the cable.
4. Install the components you removed in the *Before you begin* section.



Battery



Before you begin

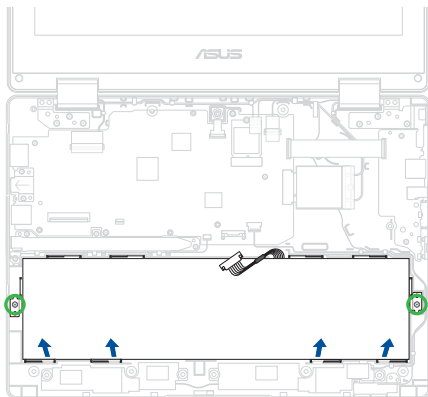
1. Read the **Safety Precautions** and **Pre-repair Checklist**.
2. Remove the following components:
 - Keyboard module

Screw list

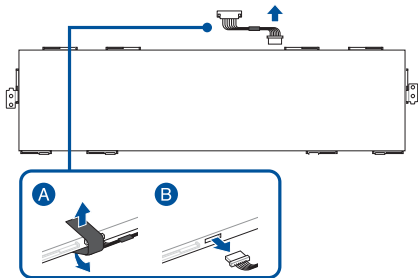
- ⊕ M2.0 X 3.0L (2pcs)

Removal

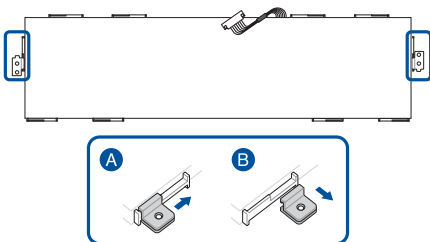
1. Remove the screw(s) from the battery, then remove the battery.



2. Remove the tape, then remove the battery power cable.

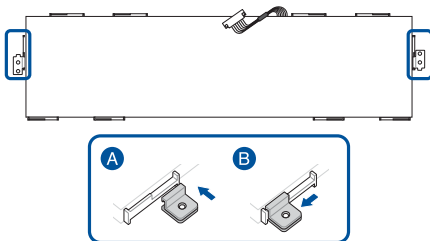


3. Remove the battery brackets from the battery.

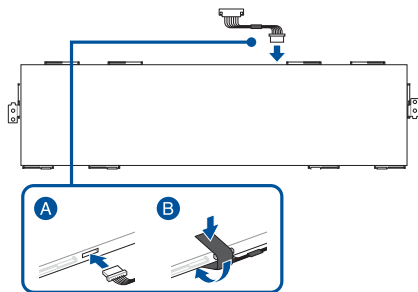


Installation

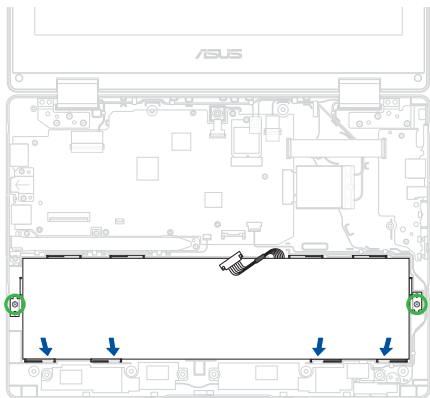
1. Attach the battery brackets to the battery.



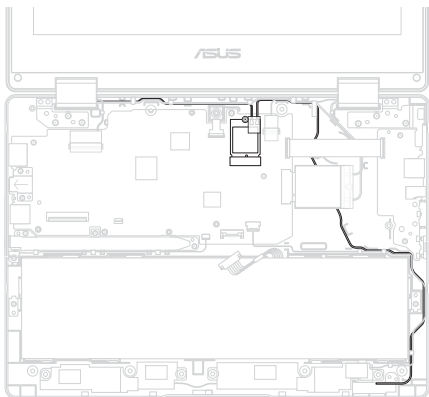
2. Connect the battery power cable to the battery, then reattach the tape.



3. Install the battery, then secure the battery using the screw(s) you removed earlier.
4. Install the components you removed in the *Before you begin* section.



WLAN module



Before you begin

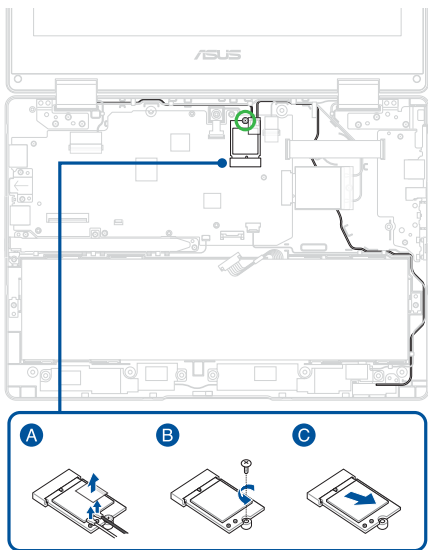
1. Read the **Safety Precautions** and **Pre-repair Checklist**.
2. Remove the following components:
 - Keyboard module
 - Battery

Screw list

- ⊕ M2.0 X 3.0L (1pc)

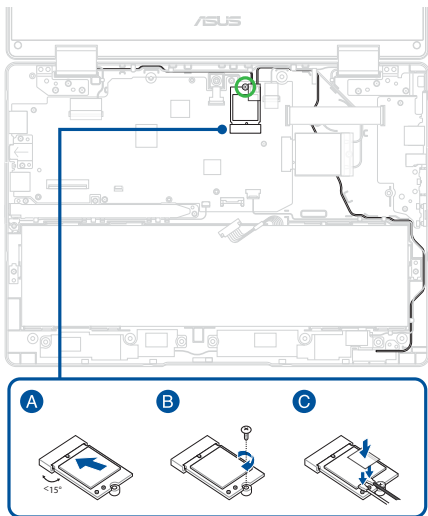
Removal

Remove the polyester film and disconnect the antenna cable(s), then remove the screw and remove the WLAN module.

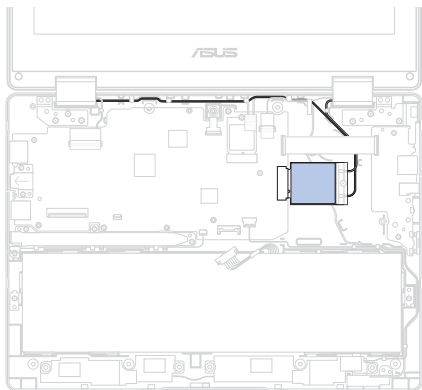


Installation

1. Install the WLAN module and secure the WLAN module using the screw you removed earlier, then reconnect the antenna cable(s) and reattach the polyester film.
2. Install the components you removed in the *Before you begin* section.



LTE module (on selected models)



Before you begin

IMPORTANT! Thermal paste, thermal pads, liquid metal, or other thermal interface materials must be thoroughly removed and replaced if this component is removed. Ensure that replacement materials are available before proceeding, or contact an authorized service center for assistance.

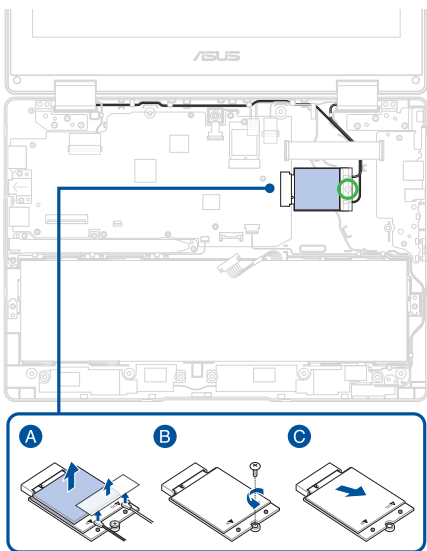
1. Read the **Safety Precautions** and **Pre-repair Checklist**.
2. Remove the following components:
 - Keyboard module
 - Battery

Screw list

- ⊕ M2.0 X 3.0L (1pc)

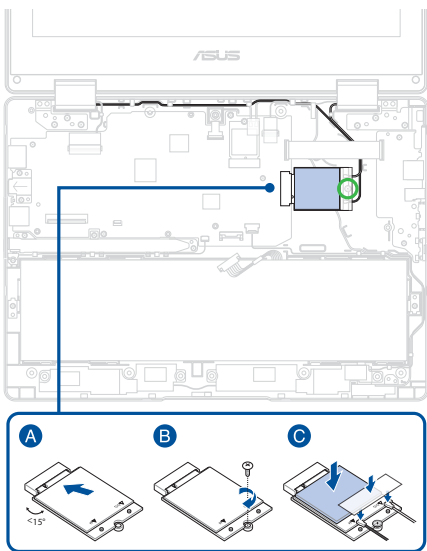
Removal

1. Remove the polyester film and remove the thermal pad, then disconnect the antenna cable(s).
2. Remove the screw, then remove the LTE module.

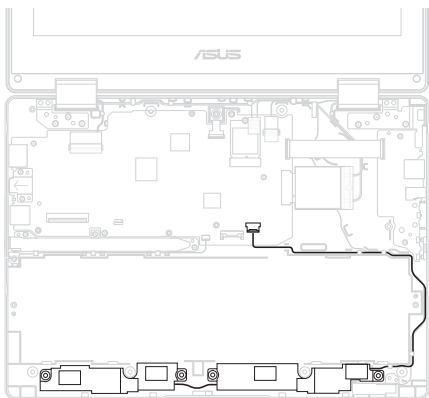


Installation

1. Install the LTE module and secure the LTE module using the screw you removed earlier.
2. Reconnect the antenna cable(s), then reattach the thermal pad and reattach the polyester film.
3. Install the components you removed in the *Before you begin* section.



Speakers

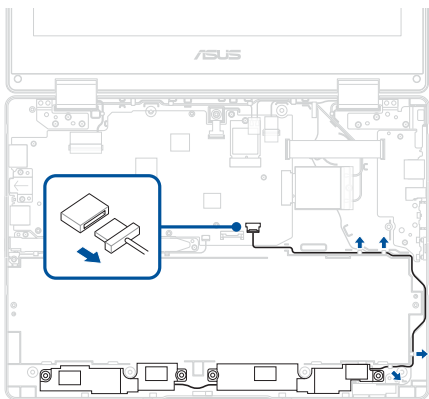


Before you begin

1. Read the **Safety Precautions** and **Pre-repair Checklist**.
2. Remove the following components:
 - Keyboard module
 - Battery

Removal

1. Disconnect the cable.
2. Remove the cable from the cable guide(s).
3. Remove the speakers.

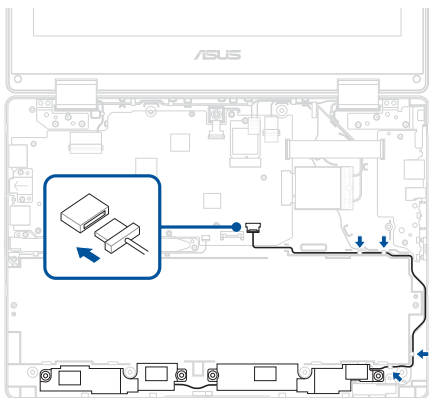


Installation

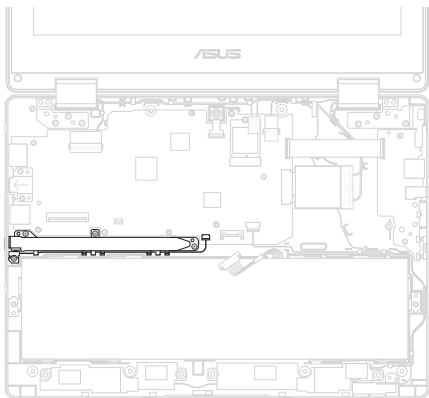
1. Install the speakers.
2. Route the cable through the cable guide(s).

IMPORTANT! Damage may occur if cables are not properly routed through the cable guides. Confirm that all cables are routed through each of the indicated cable guides before proceeding.

3. Reconnect the cable.
4. Install the components you removed in the *Before you begin* section.



Stylus charger (on selected models)



Before you begin

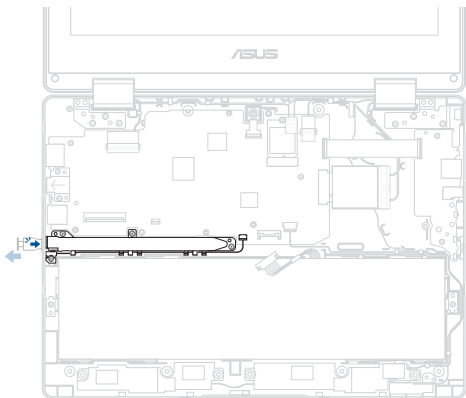
1. Read the **Safety Precautions** and **Pre-repair Checklist**.
2. Remove the following components:
 - Keyboard module
 - Battery

Screw list

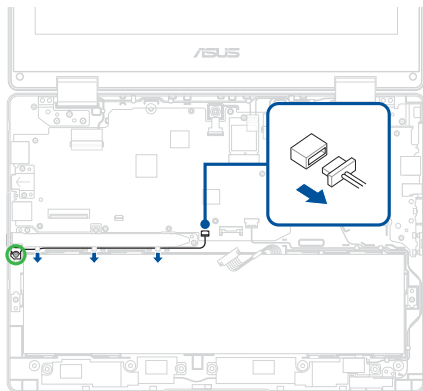
- ⊕ M2.0 X 3.0L (4pcs)

Removal

1. Remove the stylus pen from the stylus storage slot.



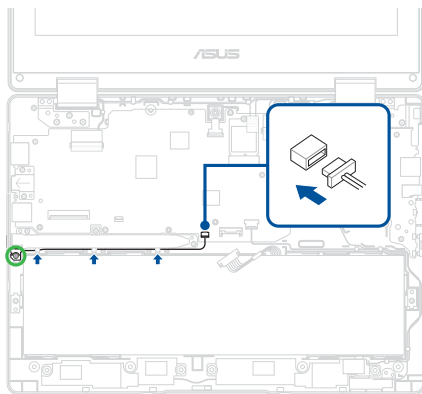
2. Remove the screw, then disconnect the cable and remove the stylus charger.



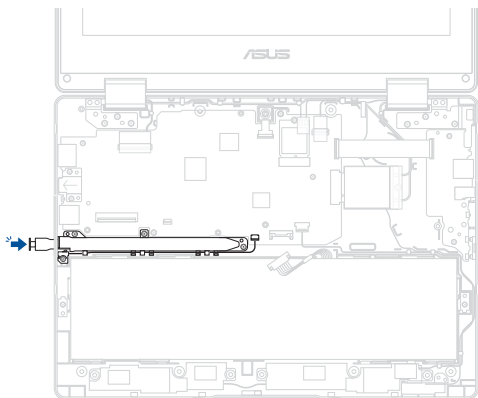
Installation

1. Install the stylus charger, then secure the stylus charger using the screw you removed earlier and reconnect the cable.
2. Route the cable through the cable guide(s).

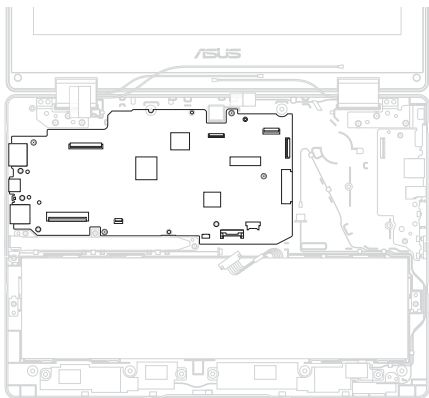
IMPORTANT! Damage may occur if cables are not properly routed through the cable guides. Confirm that all cables are routed through each of the indicated cable guides before proceeding.



3. Insert the stylus pen into the stylus storage slot.
4. Install the components you removed in the *Before you begin* section.



Motherboard



Before you begin

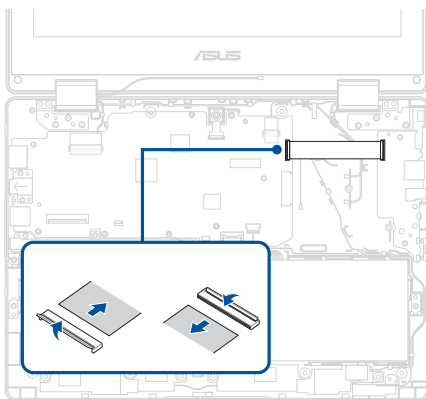
1. Read the **Safety Precautions** and **Pre-repair Checklist**.
2. Remove the following components:
 - Keyboard module
 - Battery
 - WLAN module
 - LTE module (on selected models)

Screw list

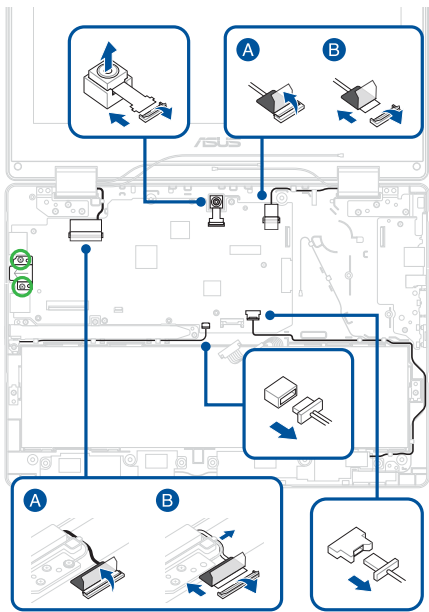
- ⊕ M2.0 X 3.0L (6pcs)

Removal

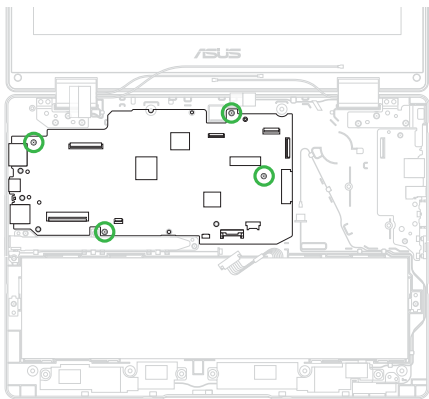
1. Disconnect and remove the cable.



2. Remove the screw(s), then remove the bracket.
3. Disconnect and remove the camera module (if available).
4. Disconnect the cable(s).

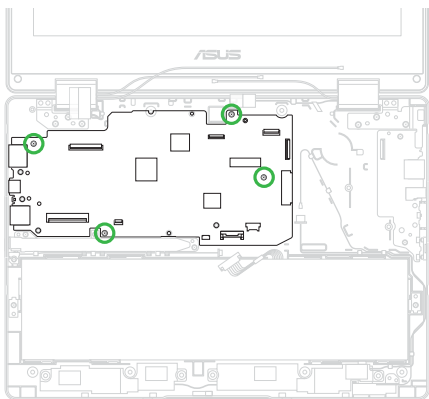


5. Remove the screw(s), then remove the motherboard from the chassis.

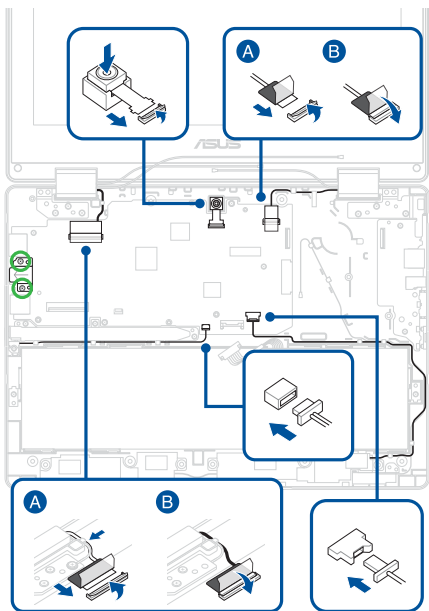


Installation

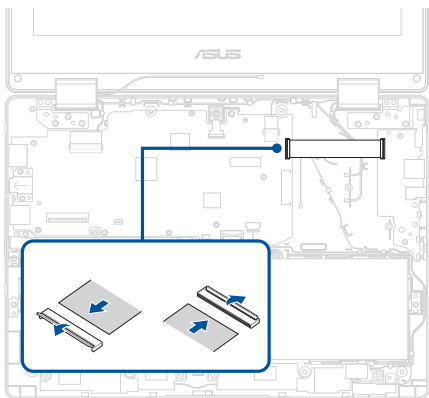
1. Align and install the motherboard, then secure the motherboard using the screw(s) you removed earlier.



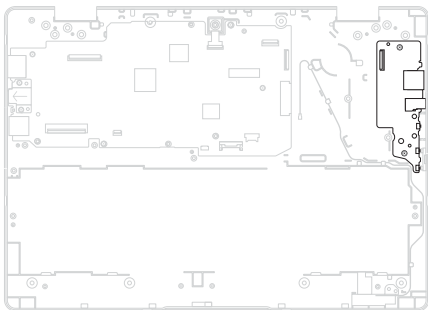
2. Reconnect the cable(s).
3. Install and reconnect the camera module (if available).
4. Install the bracket, then secure the bracket using the screw(s) you removed earlier.



5. Reconnect the cable.
6. Install the components you removed in the *Before you begin* section.



I/O board



Before you begin

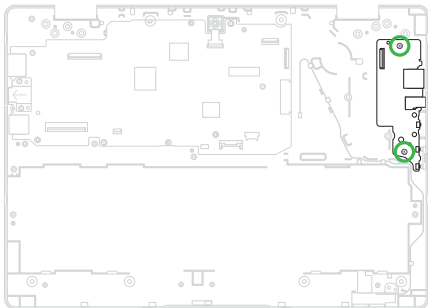
1. Read the **Safety Precautions** and **Pre-repair Checklist**.
2. Remove the following components:
 - Keyboard module
 - Battery
 - Display panel module

Screw list

- ⊕ M2.0 X 3.0L (2pcs)

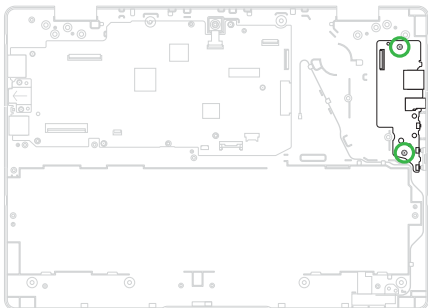
Removal

Remove the screw(s), then remove the I/O board.

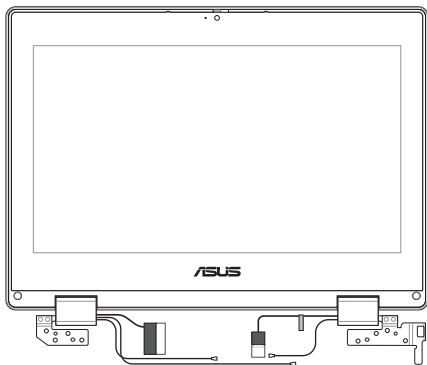


Installation

1. Install the I/O board, then secure the I/O board using the screw(s) you removed earlier.
2. Install the components you removed in the *Before you begin* section.



Display panel module



Before you begin

IMPORTANT! Do not bend the display panel in any way to avoid risk of display panel leakage.

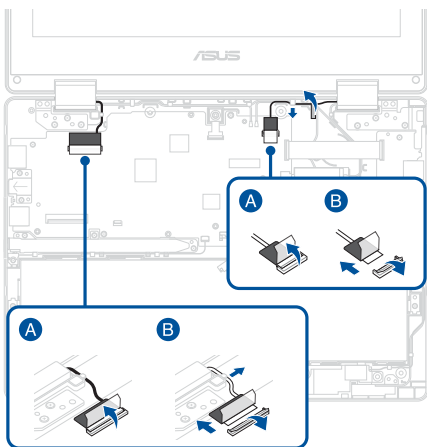
1. Read the **Safety Precautions** and **Pre-repair Checklist**.
2. Remove the following components:
 - Keyboard module
 - Battery
 - WLAN module
 - LTE module (on selected models)

Screw list

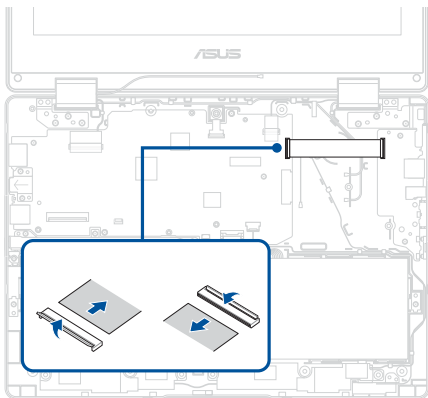
- ⊕ M2.5 X 4.0L (6pcs)

Removal

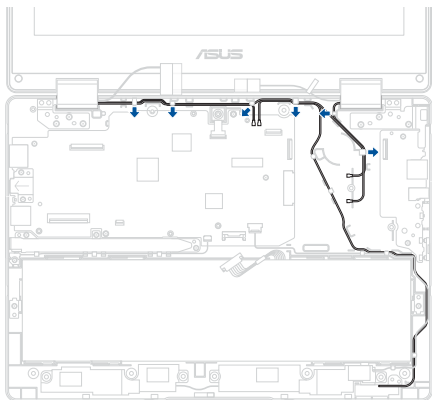
1. Remove the tape, then disconnect the cable(s).



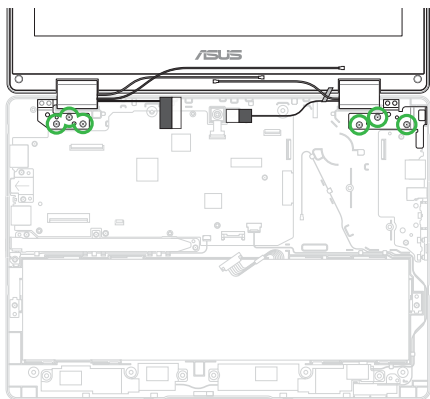
2. Disconnect and remove the cable.



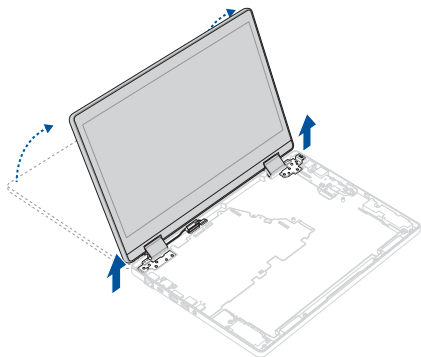
3. Remove the cable(s) from the cable guide(s).



4. Remove the screw(s).

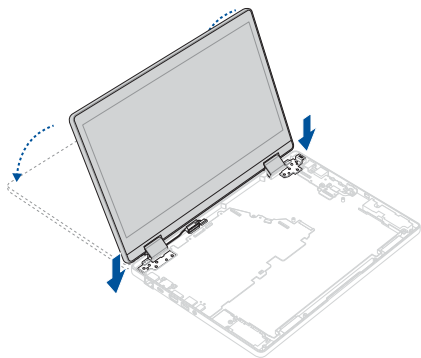


5. Place your device on a flat surface, then lift and remove the display panel module as shown in the illustration below.

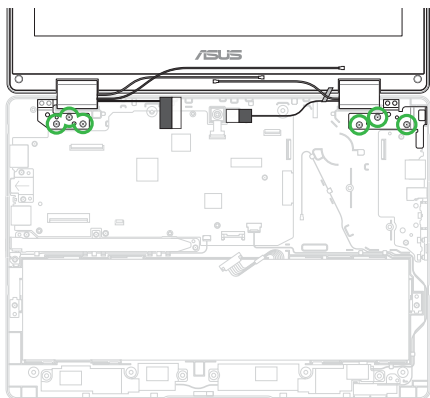


Installation

1. In the orientation shown, align and place the hinges of the display panel module on the screw holes.

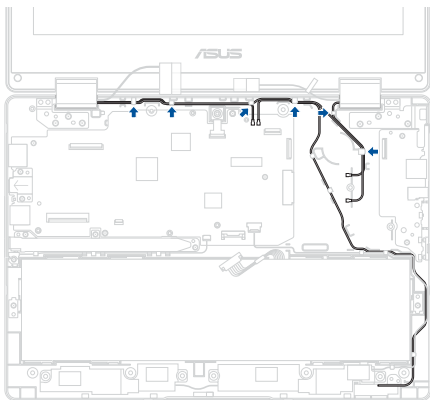


2. Secure the hinges using the screw(s) you removed earlier.

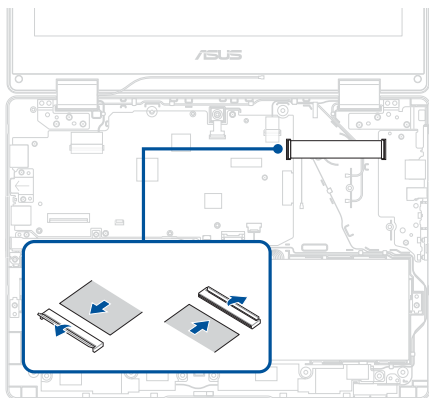


3. Route the cable(s) through the cable guide(s).

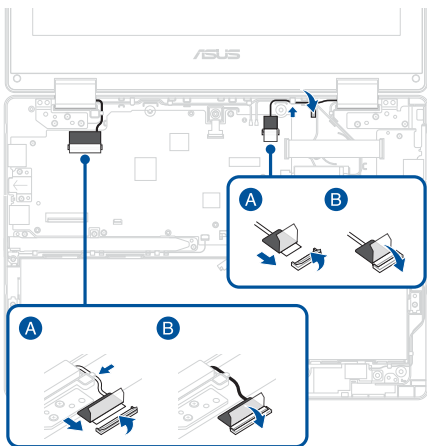
IMPORTANT! Damage may occur if cables are not properly routed through the cable guides. Confirm that all cables are routed through each of the indicated cable guides before proceeding.



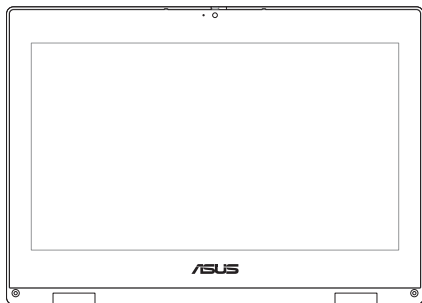
4. Reconnect the cable.



5. Reconnect the cable(s), then reattach the tape.
6. Install the components you removed in the *Before you begin* section.



Display panel (Touch model)



Before you begin

IMPORTANT!

- This component is fragile. Damage may occur if the service procedure is performed incorrectly. If you are uncertain about proceeding, stop and contact an authorized service center for assistance.
 - Do not bend the display panel in any way to avoid risk of display panel leakage.
-

1. Read the **Safety Precautions** and **Pre-repair Checklist**.
2. Remove the following components:
 - Keyboard module
 - Battery
 - WLAN module

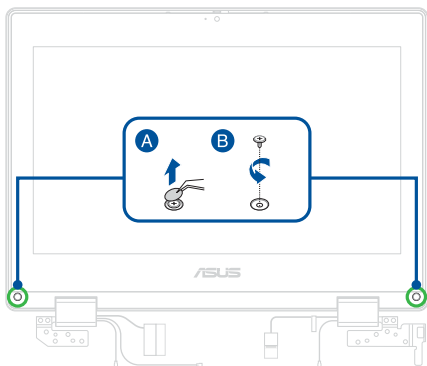
- LTE module (on selected models)
- Display panel module

Screw list

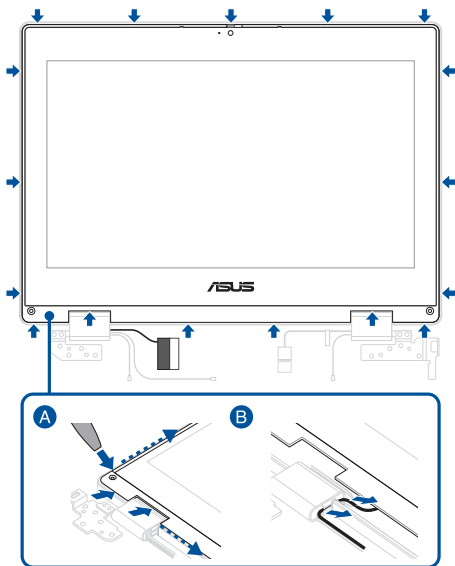
- ⊕ M2.0 X 3.0L (2pcs)

Removal

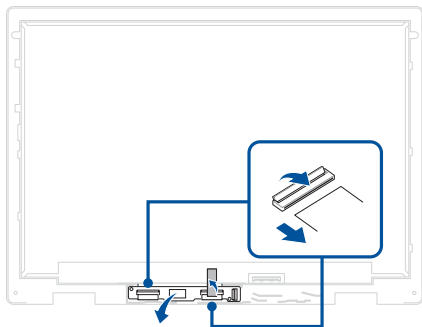
1. Remove the screw cover(s), then remove the screw(s).



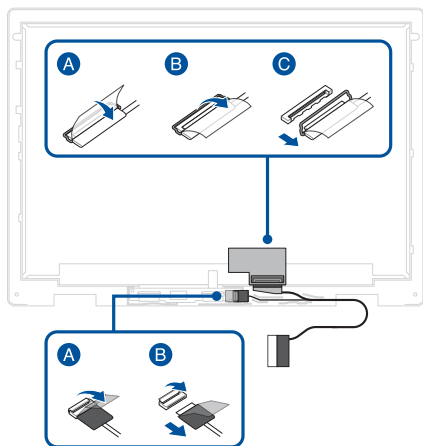
2. Carefully pry the display panel loose, then remove the display panel.
3. Remove the cable from the cable guide(s).



4. Flip the display panel over.
5. Remove the tape and disconnect the cable(s), then remove the touch screen board.

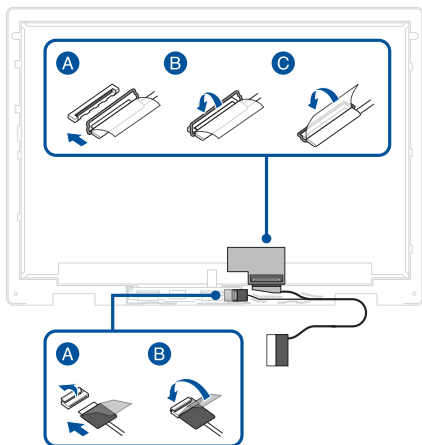


6. Disconnect the cable(s).

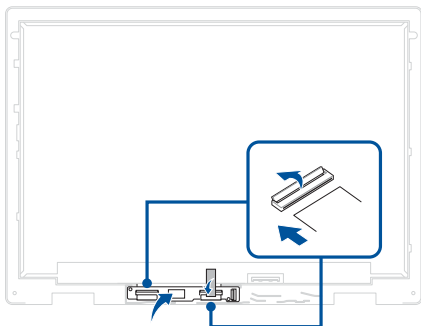


Installation

1. Reconnect the cable(s) to the rear side of the display panel.



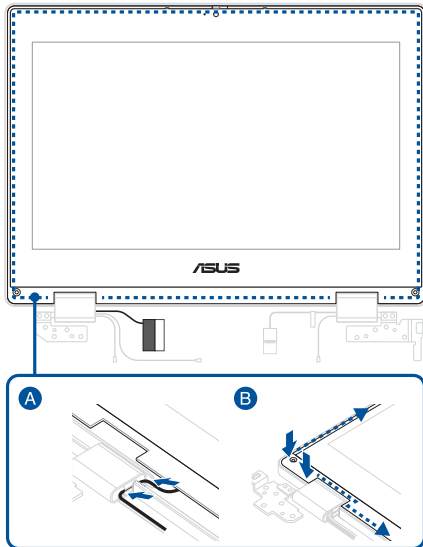
2. Install the touch screen board, then reconnect the cable(s) and reattach the tape.



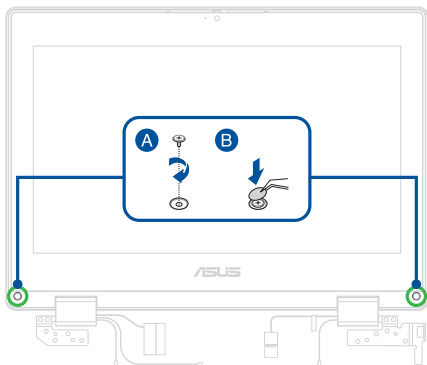
3. Route the cable(s) through the cable guide(s).

IMPORTANT! Damage may occur if cables are not properly routed through the cable guides. Confirm that all cables are routed through each of the indicated cable guides before proceeding.

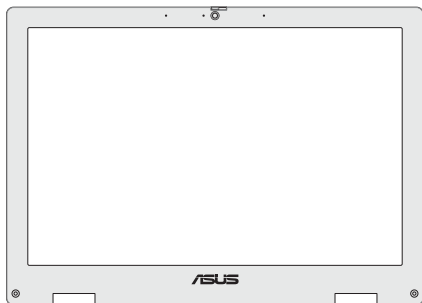
4. Align and install the display panel, then gently press down on the display panel until it clicks into place.



5. Secure the display panel using the screw(s) you removed earlier, then reattach the screw cover(s).
6. Install the components you removed in the *Before you begin* section.



Display panel (11.6" Non-touch model)



Before you begin

IMPORTANT!

- This component is fragile. Damage may occur if the service procedure is performed incorrectly. If you are uncertain about proceeding, stop and contact an authorized service center for assistance.
 - Do not bend the display panel in any way to avoid risk of display panel leakage.
-

1. Read the **Safety Precautions** and **Pre-repair Checklist**.
2. Remove the following components:
 - Keyboard module
 - Battery

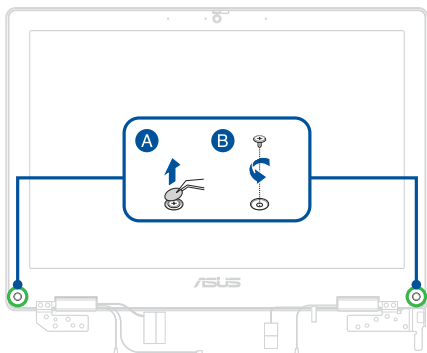
- WLAN module
- LTE module (on selected models)
- Display panel module

Screw list

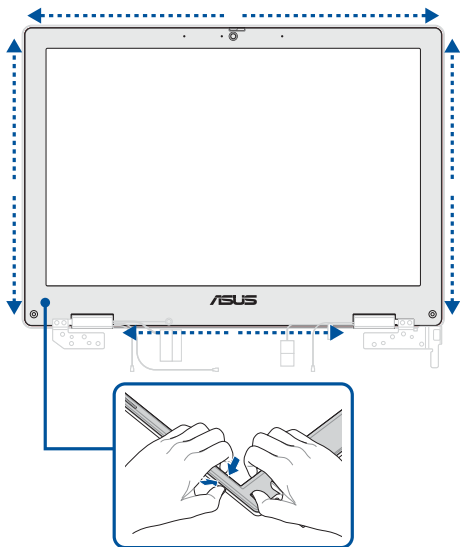
- ⊕ M2.0 X 3.0L (6pcs)

Removal

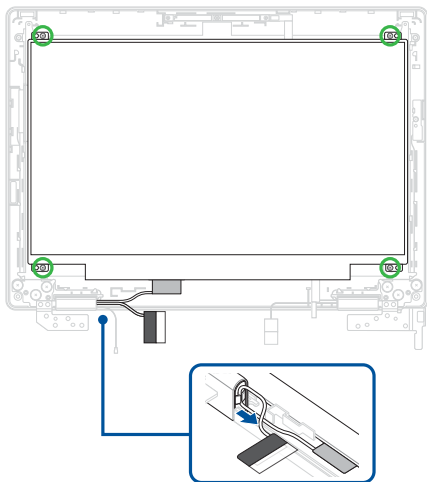
1. Remove the screw cover(s), then remove the screw(s).



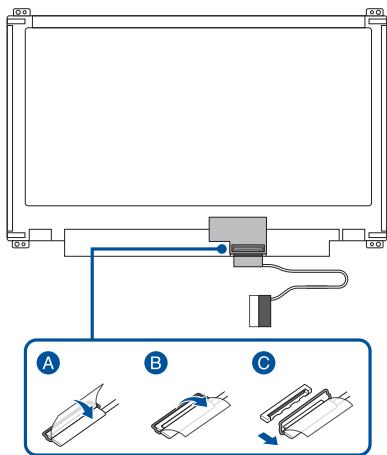
- Carefully pry the bezel loose, then remove the bezel.



3. Remove the cable from the cable guide(s).
4. Remove the screw(s), then remove the display panel.

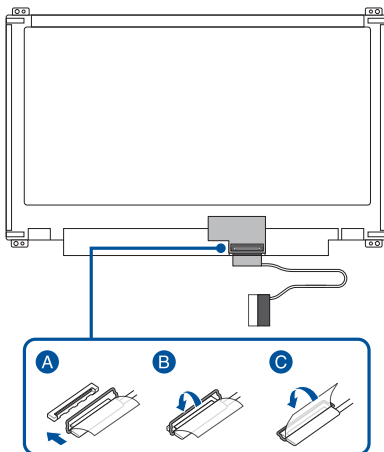


5. Flip the display panel over, then disconnect the cable.



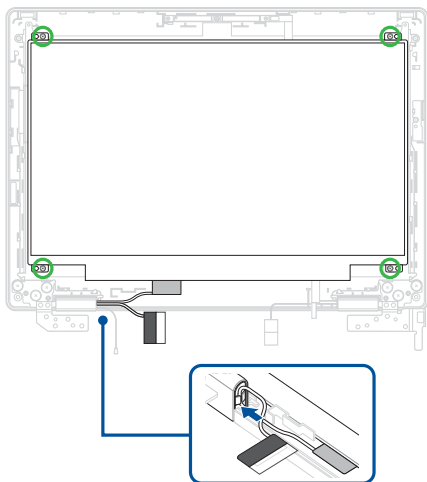
Installation

1. Reconnect the cable to the rear side of the display panel.



2. Align and install the display panel, then secure the display panel using the screw(s) you removed earlier.
3. Route the cable(s) through the cable guide(s).

IMPORTANT! Damage may occur if cables are not properly routed through the cable guides. Confirm that all cables are routed through each of the indicated cable guides before proceeding.

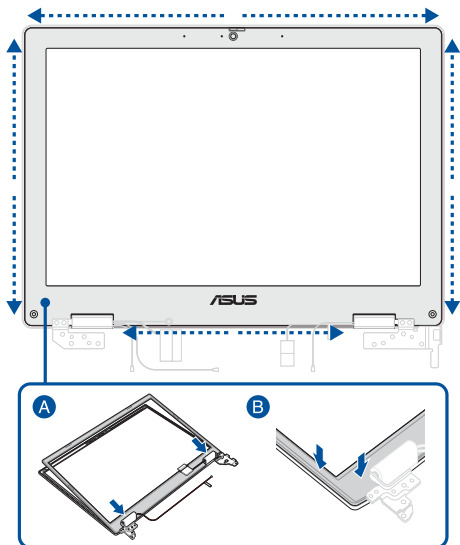


4. Remove the release liner(s) from the tape on the bezel.

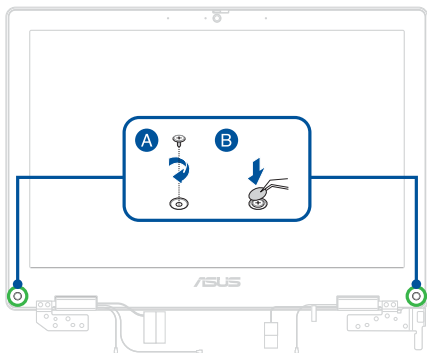
NOTE: The tape cannot be reused. Remove any adhesive residue and use new tape when reinstalling components.



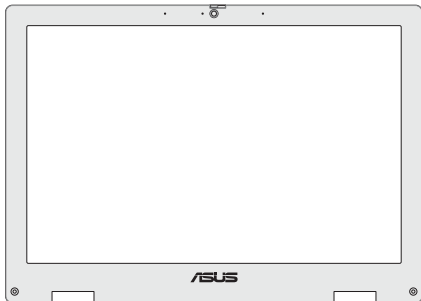
5. Align and install the bezel.



- Secure the bezel using the screw(s) you removed earlier, then reattach the screw cover(s).
- Install the components you removed in the *Before you begin* section.



Display panel (12.2" Non-touch model)



Before you begin

IMPORTANT!

- This component is fragile. Damage may occur if the service procedure is performed incorrectly. If you are uncertain about proceeding, stop and contact an authorized service center for assistance.
 - Do not bend the display panel in any way to avoid risk of display panel leakage.
-

1. Read the **Safety Precautions** and **Pre-repair Checklist**.
2. Remove the following components:
 - Keyboard module
 - Battery

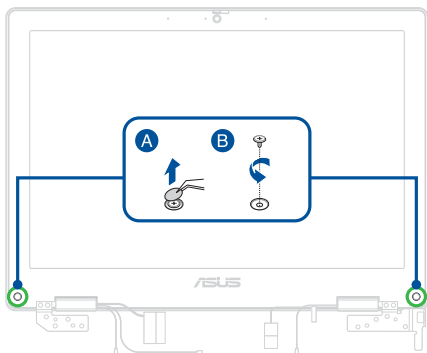
- WLAN module
- LTE module (on selected models)
- Display panel module

Screw list

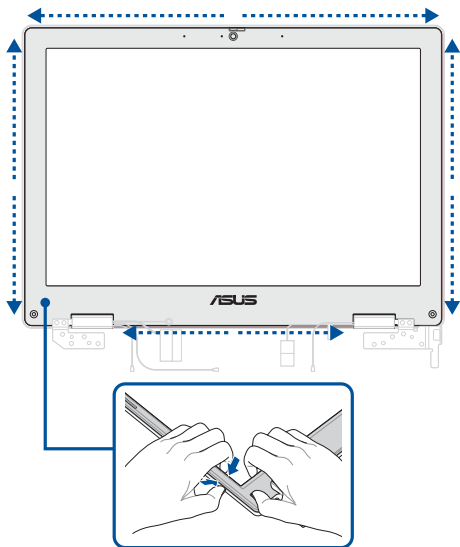
- ⊕ M2.0 X 3.0L (2pcs)

Removal

1. Remove the screw cover(s), then remove the screw(s).

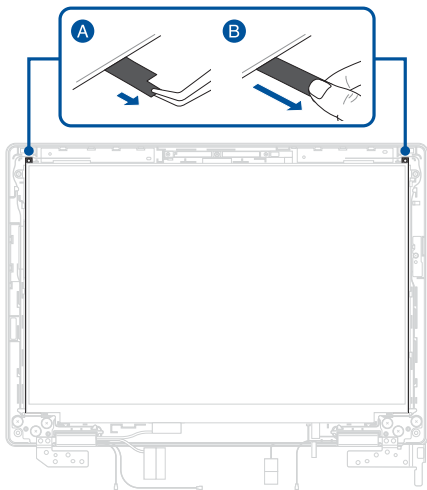


- Carefully pry the bezel loose, then remove the bezel.

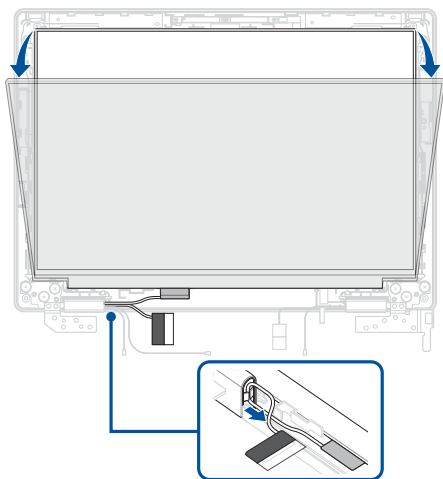


3. Locate the tip of the stretch release tape, then carefully pull out the stretch release tape as shown in the illustration below.

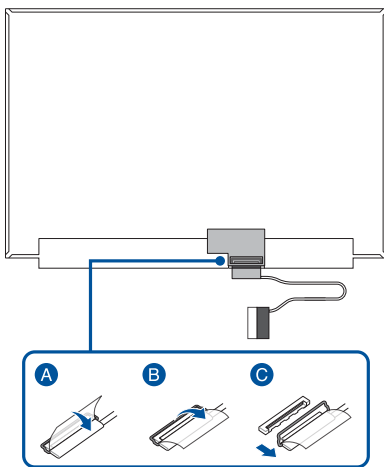
IMPORTANT! Maintain a flat angle and constant speed when pulling the stretch release tape. Excessive force may damage the stretch release tape and prevent removal of the display panel.



4. Remove the cable from the cable guide(s), then remove the display panel.

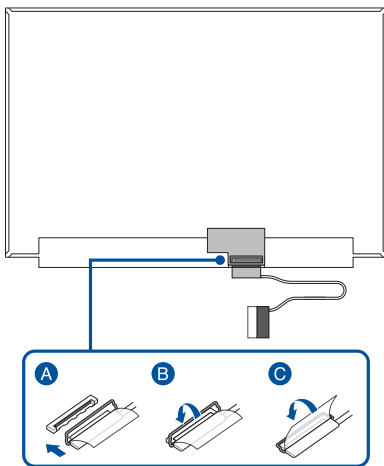


5. Flip the display panel over, then disconnect the cable.



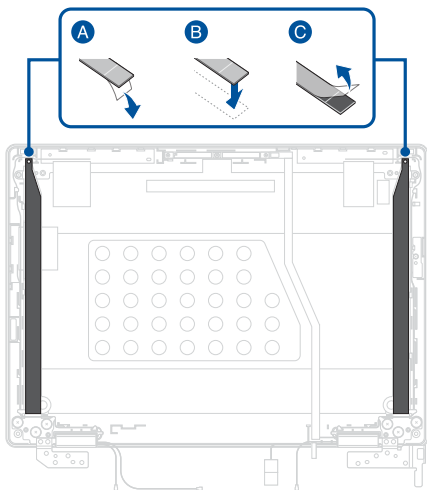
Installation

1. Reconnect the cable to the rear side of the display panel.



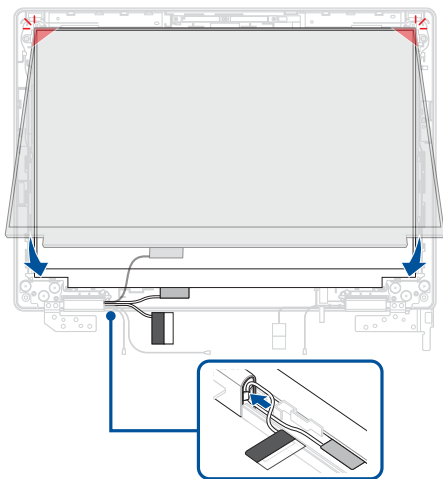
2. Remove the release liner(s) from the bottom side of the stretch release tape.
3. Align and attach the stretch release tape to the top cover.
4. Remove the release liner(s) from the top side of the stretch release tape.

NOTE: The tape cannot be reused. Remove any adhesive residue and use new tape when reinstalling components.



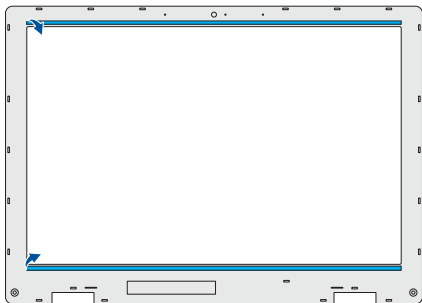
5. Align and install the display panel.
6. Route the cable through the cable guide(s).

IMPORTANT! Damage may occur if cables are not properly routed through the cable guides. Confirm that all cables are routed through each of the indicated cable guides before proceeding.

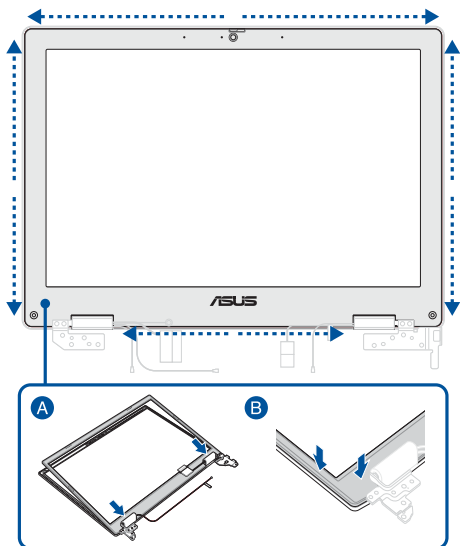


7. Remove the release liner(s) from the tape on the bezel.

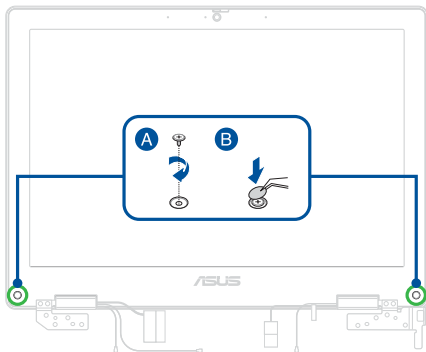
NOTE: The tape cannot be reused. Remove any adhesive residue and use new tape when reinstalling components.



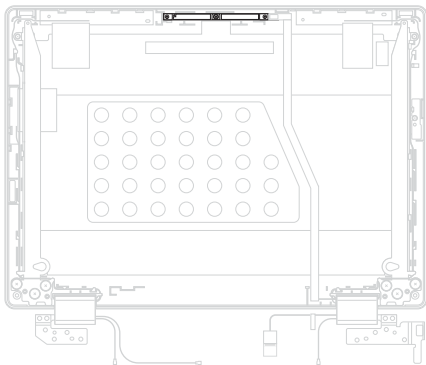
8. Align and install the bezel.



- Secure the bezel using the screw(s) you removed earlier, then reattach the screw cover(s).
- Install the components you removed in the *Before you begin* section.



Camera module



Before you begin

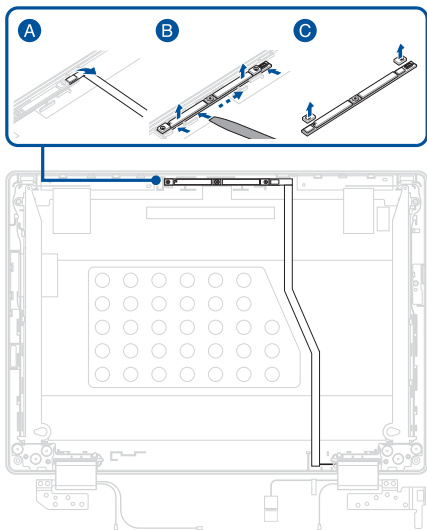
IMPORTANT! This component is fragile. Damage may occur if the service procedure is performed incorrectly. If you are uncertain about proceeding, stop and contact an authorized service center for assistance.

1. Read the **Safety Precautions** and **Pre-repair Checklist**.
2. Remove the following components:
 - Keyboard module
 - Battery
 - WLAN module
 - LTE module (on selected models)

- Display panel module
- Display panel

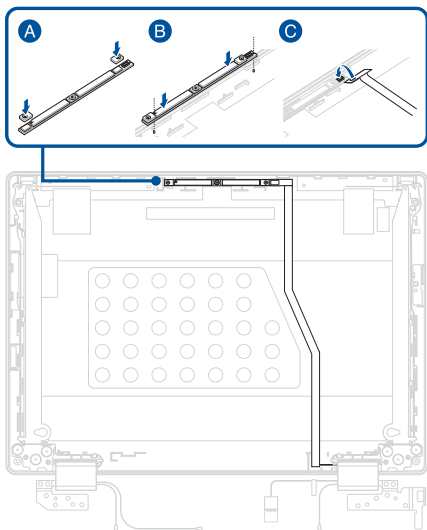
Removal

Disconnect the cable from the camera module and carefully remove the camera module, then remove the rubber caps from the camera module.

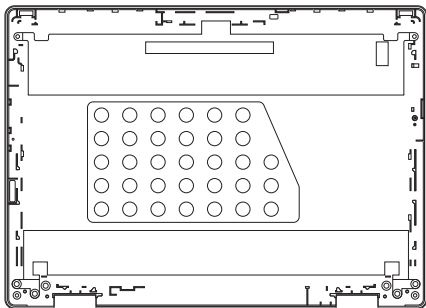


Installation

1. Attach the rubber caps to the camera module, then install the camera module and reconnect the cable to the camera module.
2. Install the components you removed in the *Before you begin* section.



Top cover



Before you begin

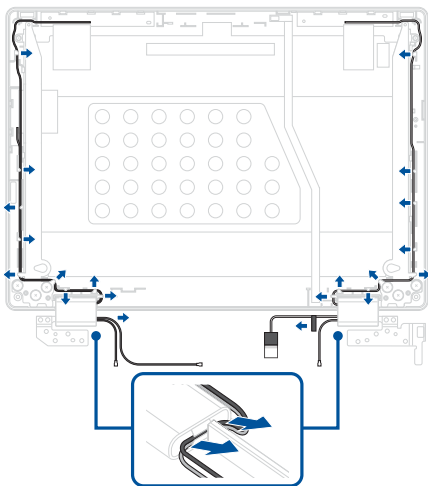
1. Read the **Safety Precautions** and **Pre-repair Checklist**.
2. Remove the following components:
 - Keyboard module
 - Battery
 - WLAN module
 - LTE module (on selected models)
 - Display panel module
 - Display panel
 - Camera module

Screw list

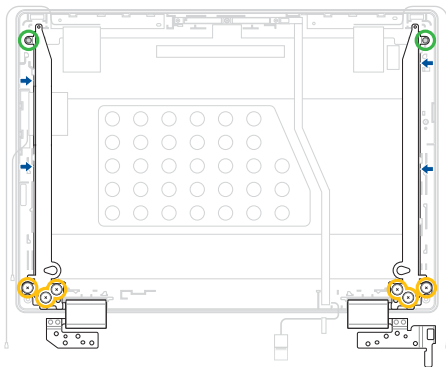
- ⊕ M2.0 X 3.0L (2pcs)
- ⊕ M2.5 X 2.5L (6pcs)

Removal

1. Remove the cable(s) from the cable guide(s).

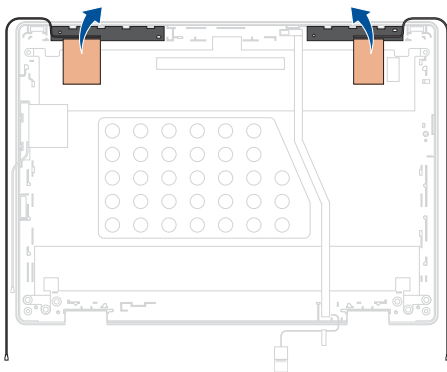


2. Remove the screw(s), then remove the hinges.



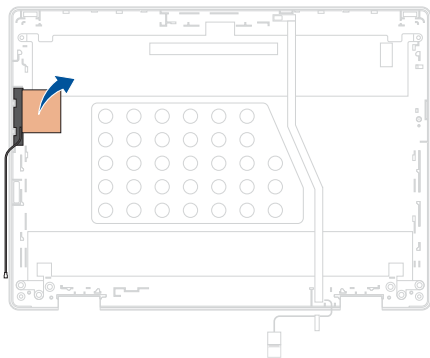
3. Remove the antenna cable(s) (if available).

IMPORTANT! The antenna cable(s) cannot be reused once removed.

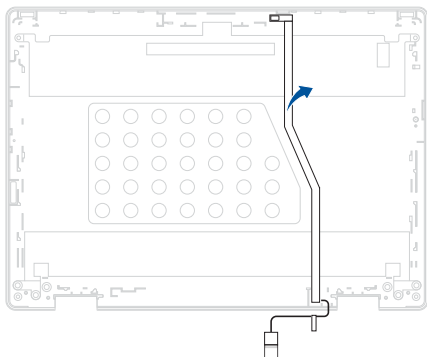


4. Remove the antenna cable(s).

IMPORTANT! The antenna cable(s) cannot be reused once removed.

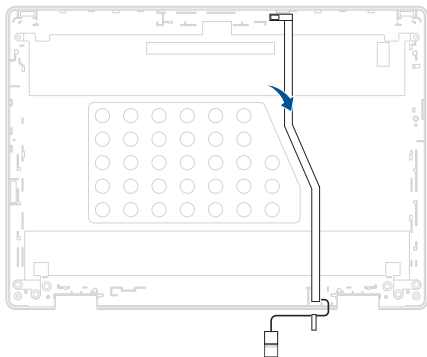


5. Remove the camera cable.

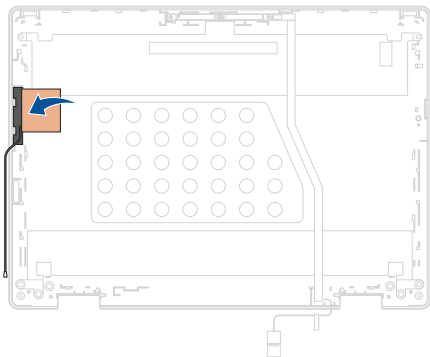


Installation

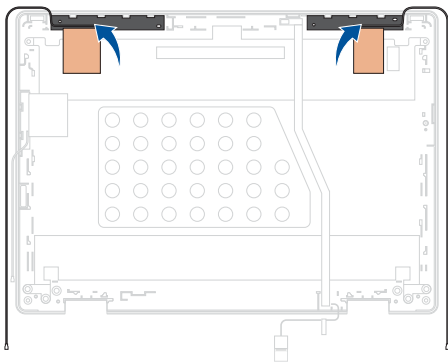
1. Install the camera cable.



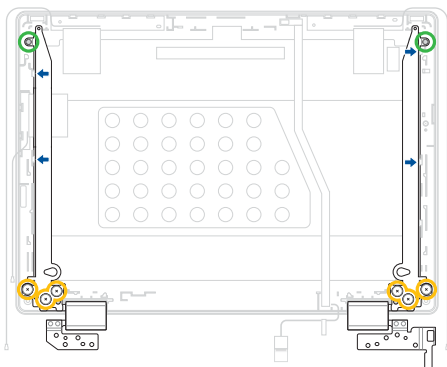
2. Install the antenna cable(s).



3. Install the antenna cable(s) (if available).



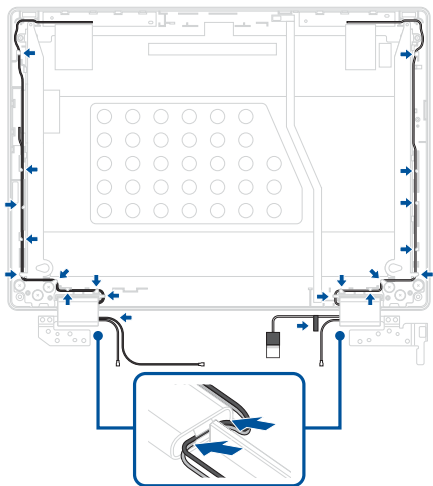
4. Install the hinges, then secure the hinges using the screw(s) you removed earlier.



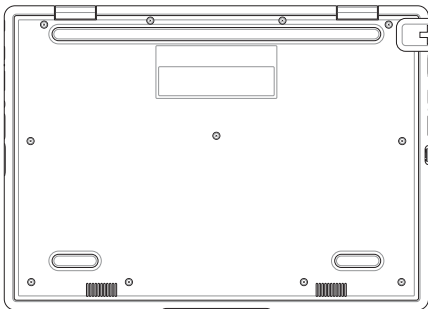
5. Route the cable(s) through the cable guide(s).

IMPORTANT! Damage may occur if cables are not properly routed through the cable guides. Confirm that all cables are routed through each of the indicated cable guides before proceeding.

6. Install the components you removed in the *Before you begin* section.



Bottom cover



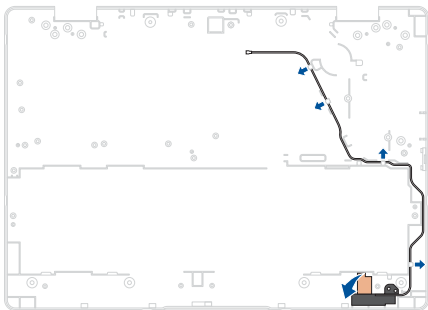
Before you begin

1. Read the **Safety Precautions** and **Pre-repair Checklist**.
2. Remove the following components:
 - Keyboard module
 - Battery
 - WLAN module
 - LTE module (on selected models)
 - Speakers
 - Stylus charger (on selected models)
 - Motherboard
 - I/O board
 - Display panel module

Removal

Remove the antenna cable(s).

IMPORTANT! The antenna cable(s) cannot be reused once removed.

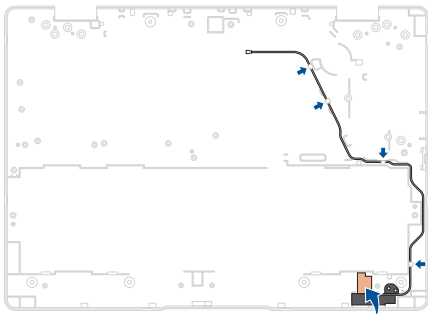


Installation

1. Install the antenna cable(s).
2. Route the cable(s) through the cable guide(s).

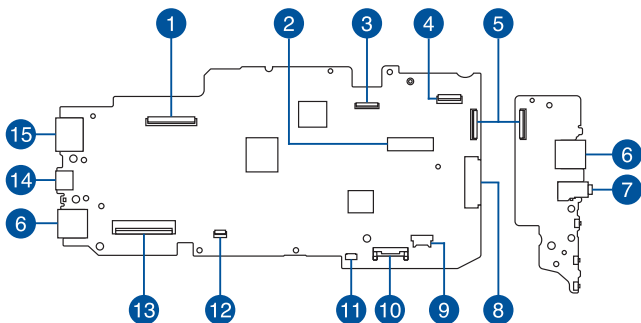
IMPORTANT! Damage may occur if cables are not properly routed through the cable guides. Confirm that all cables are routed through each of the indicated cable guides before proceeding.

3. Install the components you removed in the *Before you begin* section.



Appendix

Wiring and connection diagrams



- | | |
|-----------------------------------|-------------------------------|
| 1. eDP connector | 9. Speaker connector |
| 2. WLAN module connector | 10. Battery connector |
| 3. Camera connector* | 11. Stylus charger connector* |
| 4. LED board and camera connector | 12. Touchpad connector |
| 5. I/O board connector | 13. Keyboard connector |
| 6. USB Type-A connector | 14. USB Type-C® connector |
| 7. Audio connector | 15. HDMI connector |
| 8. LTE module connector* | |

*On selected models