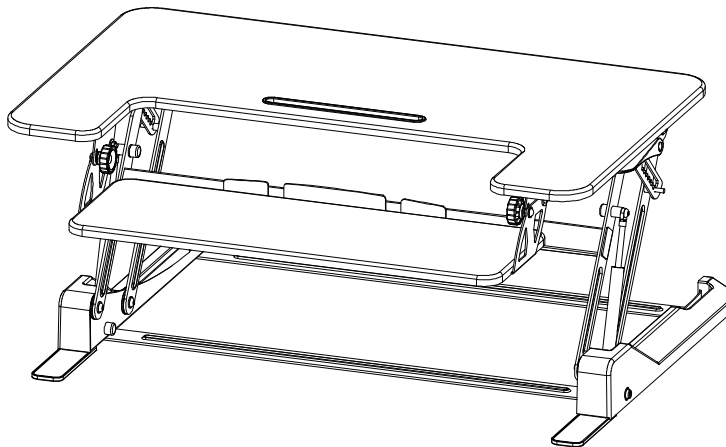
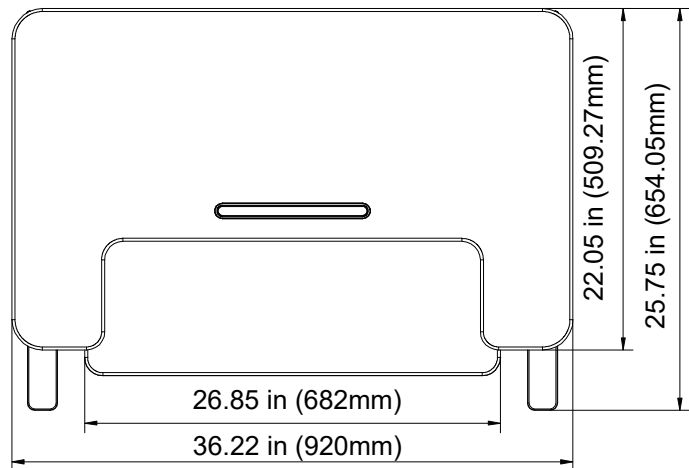
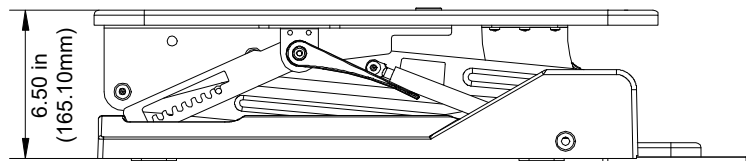
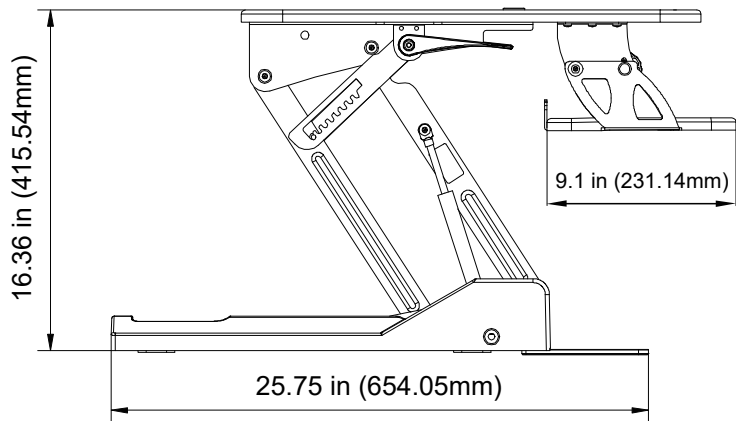


REVISION INFORMATION		
Rev.	Rev. Date	Brief Description
V1	2023/9/25	Initial Issue



- Material: MDF- Steel / Plastic
- Color: Black
- MDF thickness: 0.59 in (15mm)
- A: Desk x1
- B: Brackets x2
- C: Keyboard tray x1
- D: Screws x16
- E: Allen Key x1
- F: Wire clip x1
- G: Zip ties x2
- H: Desk foot extension x1



DESCRIPTION:
 Monoprice Height Adjustable Gas-Spring Dual Handle Sit-Stand
 36-Inch Workstation Desk Converter with Keyboard Tray

PID # **44961**

DATE: 2023/9/25

UNIT: in, mm

FILE NAME:
 PID_PRODUCT

③				
②	Desktop Max. load	33.1 lbs (15 kg)		
①	Keyboard Max. load	4.41 lbs (2 kg)		
NO.	PART NAME	SPECIFICATION DESCRIPTION	QTY	UNIT