

SolidConnect



User Manual

SolidConnect SCM28
Y10S011-B1

28-Port L2 Managed Gigabit PoE+ Switch 24-Port Gigabit PoE+
2-Port Gigabit RJ45 & 2-Port Gigabit SFP Uplinks - Black

Package Content

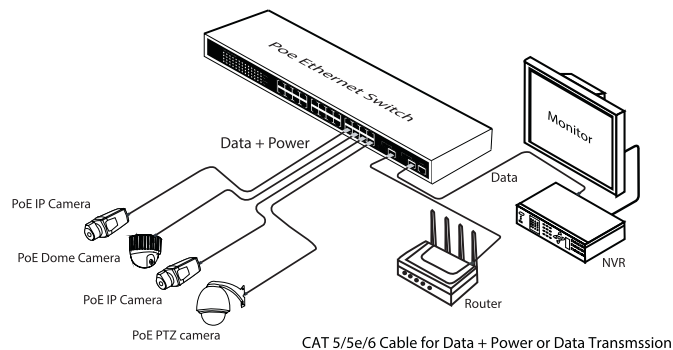
Please check the following items before installation. If any items are missing, please contact Rocstor or the installing company.

- 1x SolidConnect SCM28
- 1x AC power cable
- 1x User manual



Application

The L2 Managed PoE Switch features 24 versatile Gigabit PoE ports (10M/100M/1G), along with RJ45 and SFP transceiver slots (1G) for flexible connections. It adheres to IEEE 802.3af/at standards, ensuring seamless integration. Its robust PoE power budget supports diverse applications, from cameras to VoIP and wireless access points, making it a reliable and efficient choice for modern networks.



Login Information

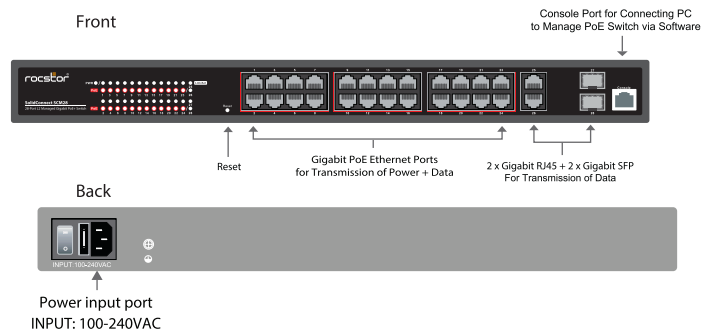
IP Address	192.168.1.1
Subnet Mask	255.255.255.0
Default Gateway	192.168.1.254
User Name	admin
Password	admin

Features

- Complies with IEEE 802.3, IEEE 802.3u, IEEE 802.3ab, IEEE 802.3af, and IEEE 802.3at standards.
- Equipped with 24 10/100/1000Base-T ports, 2 Gigabit RJ45 ports, and 2 Gigabit SFP ports.
- Features 24 PoE+ injectors, offering a combined built-in power supply of 400W.
- Total 370W PoE power on 24 ports - 30W power per PoE port.
- Boasts a substantial backplane bandwidth of 56 Gbps.
- Supports IEEE 802.3x flow control for optimized data transmission.

Board Diagram

SolidConnect SCM28



Installation Steps

- 1- Prior to installation, ensure both the signal power and display device power are turned off. Installation with active power can result in damage to the transmission equipment.
- 2- Utilize a network cable to establish connections between the PoE IP camera and one of the 24 ports on the product.
- 3- Employ another network cable to link the equipment's uplink port with either an NVR or a computer.
- 4- Connect the AC power source.
- 5- Verify the correctness of the installation, the overall equipment condition, and the stability of connections. Only proceed to the next step if these criteria are met.
- 6- Once the previous steps are satisfactorily completed, supply power to the system.
- 7- Double-check the Ethernet equipment to ensure it is powered and functioning correctly.

By following these steps, you can perform a safe and effective installation of your equipment. Remember to exercise caution when dealing with electrical connections and refer to the manufacturer's instructions for specific details related to your product.

Troubleshooting

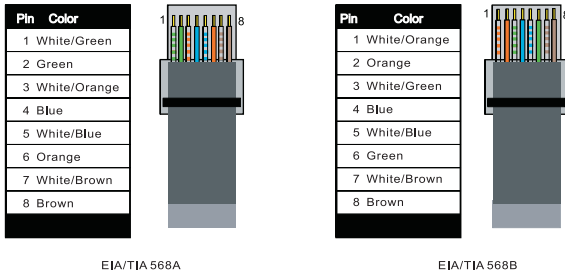
- Ensure adherence to the manufacturer's installation guide during equipment installation.
- Verify that the RJ45 cable order aligns with the EIA/TIA568A or 568B standard.
- Take note that each PoE port can deliver a maximum power of 30W to connected equipment. Avoid connecting devices requiring power beyond this limit.
- To assess potential equipment damage, substitute with a functional 24-port PoE Ethernet Switch.
- If issues persist, reach out to your vendor for further assistance.

Plug Producing Method

Required Tools: Wire crimper, network tester, and RJ45 plug with wire sequence conforming to EIA/TIA568A or 568B.

Instructions:

- 1- Strip off 2cm of the insulating layer to expose the 8 pairs of UTP cable.
- 2- Separate and straighten the 8 pairs of UTP cable.
- 3- Arrange the 8 cables according to EIA/TIA568A or 568B standard.
- 4- Trim the cables, leaving 1.5cm of bare wire exposed.
- 5- Insert each cable into the appropriate pin of the RJ45 plug.
- 6- Utilize the wire crimper to securely crimp the RJ45 plug.
- 7- Repeat the process to create additional ends as needed.
- 8- Use the network tester to verify the cable's functionality.



! When choosing an RJ45, ensure that if one end is EIA/TIA568A, the other end is also EIA/TIA568A.
When choosing an RJ45, ensure that if one end is EIA/TIA568B, the other end is also EIA/TIA568B.

Specification

Item		Description	
Power	Power supply	Built-in power supply	
	Voltage Range	AC100~240V	
	Consumption	370W for 24 PoE	
Ethernet	Speed	1~24 Port:10/100/1000Mbps 25~26:Gigabit Combo ports 27~28:1000Mbps SFP port (SFP support optical module rates:1.25Gbps)	
	Transmission Distance	100Meter(328ft)for RJ-45 SFP optical module is optional, and the transmission distance depends on the optical module	
Network Switch	Ethernet Standard	IEEE 802.3/802.3u/802.3x/802.3ab/802.3af/at	
	Switching capacity	56G	
	Transfer Rate		14,880pps for 10Mbps
			148,800pps for 100Mbps
			1,488,000pps for 1000Mbps
MAC Address	8K MAC address table		
LINK / ACT	On	Green	The port connection speed is 1000Mbps
		Orange	The port connection speed is 10/100Mbps
	Blinks	-	The port is receiving or transmitting data
	Off	-	The port is not linked successfully with the device
PoE	On	Green	PD is connected
	Off	-	No PD is connected or power forwarding fails
	PoE pin assignmnet	V+(RJ45 Pin 1,2), V-(RJ45 Pin 3,6)	
Environment	Working Temperature	0°C~40°C (32°F~104°F)	
	Storage Temperature	-40°C~70°C (-40°F~158°F)	
	Humidity Non-Condensing	0~85%	
INDOOR USE ONLY			
Mechanical	Dimensions L x W x H	17.3" x 7.8" x 1.7"	
		440 x 200 x 44 mm	
	Color	Black	

Specifications are subject to change without prior notice.

Warranty Information

This product is backed by a (5) five-year warranty. Rocstor warrants its products against defects in materials and workmanship for the periods noted, following the initial date of purchase. During this period, the products may be returned for repair, or replacement with equivalent products at our discretion. The warranty covers parts and labor costs only. Rocstor does not warrant its products from defects or damages arising from misuse, abuse, alteration, or normal wear and tear.

Limitation of Liability

In no event shall the liability of Rocstor, Inc. and Rocstor (or their officers, directors, employees or agents) for any damages (whether direct or indirect, special, punitive, incidental, consequential, or otherwise), loss of profits, loss of business, or any pecuniary loss, arising out of or related to the use of the product exceed the actual price paid for the product. Some states do not allow the exclusion or limitation of incidental or consequential damages. If such laws apply, the limitations or exclusions contained in this statement may not apply to you.

Support

Technical support is available to all the registered users of Rocstor products.

Technical Support / RMA

Hours: 9:00 am - 5:00 pm PST

Monday to Friday (except holidays)

Tell: +1 (818) 727-7000 (National and international)

Fax: +1 (818) 875-0002

Email: support@Rocstor.com

Copyrights

©2023 Rocstor, Inc. All rights reserved. Rocstor is registered trademark of Rocstor, Inc. Feature and specification are subject to change without notice. All trademarks and registered trademarks are the property of their respective. All rights reserved.