

## SolidConnect



### User Manual

SolidConnect SCM20  
Y10S010-B1

20-Port L2 Managed Gigabit PoE+ Switch, 16-Port Gigabit PoE+  
2-Port Gigabit RJ45 & 2-Port Gigabit SFP Uplinks - Black

### Package Content

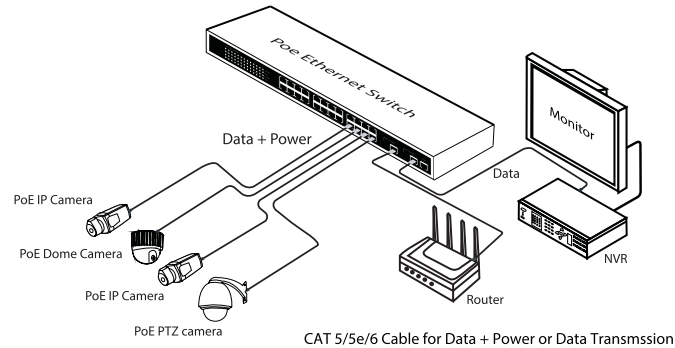
Please check the following items before installation. If any items are missing, please contact Rocstor or the installing company.

- 1x SolidConnect SCM20
- 1x AC power cable
- 1x User manual



### Application

The L2 Managed PoE Switch features 16 versatile Gigabit PoE ports (10M/100M/1G), along with RJ45 and SFP transceiver slots (1G) for flexible connections. It adheres to IEEE 802.3af/at standards, ensuring seamless integration. Its robust PoE power budget supports diverse applications, from cameras to VoIP and wireless access points, making it a reliable and efficient choice for modern networks.



### Login Information

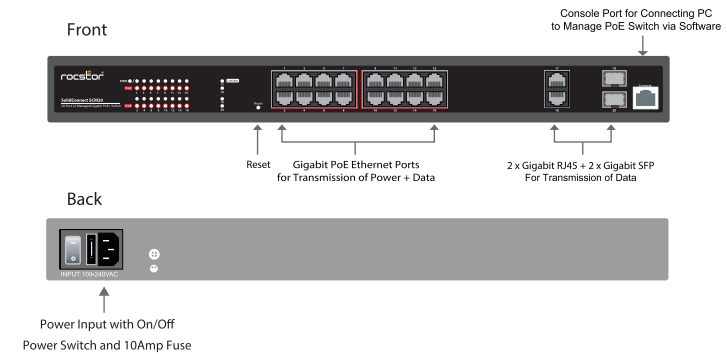
IP Address	192.168.1.1
Subnet Mask	255.255.255.0
Default Gateway	192.168.1.254
User Name	admin
Password	admin

### Features

- Complies with IEEE 802.3, IEEE 802.3u, IEEE 802.3ab, IEEE 802.3af, and IEEE 802.3at standards.
- Equipped with 16 10/100/1000Base-T ports, 2 Gigabit RJ45 ports, and 2 Gigabit SFP ports.
- Features 16 PoE+ injectors, offering a combined built-in power supply of 270W.
- Total 250W PoE power on 16 ports - 30W power per PoE port.
- Boasts a substantial backplane bandwidth of 40 Gbps.
- Supports IEEE 802.3x flow control for optimized data transmission.

### Board Diagram

#### SolidConnect SCM20



### Installation Steps

- 1- Before commencing installation, ensure to turn off both the power signal and the display device's power. It's crucial to note that installing while powered on can result in equipment damage.
- 2- Utilize a network cable to establish a connection between the PoE IP camera or other devices and the PoE Switch's 1-16 PoE ports.
- 3- Establish another network cable connection between the equipment and the uplink port, ensuring connectivity with the NVR or computer.
- 4- Connect the AC cable to the unit's power source.
- 5- For software management, employ a network cable to link the PC to the console port. Refer to the login information provided on page 1 to access and manage the PoE switch via software.
- 6- After ensuring correct installation, confirming the equipment's good condition, and verifying stable connections, you can proceed to power on the system.
- 7- Confirm that the PoE Switch is adequately powered and functioning as intended. This step ensures seamless operation and optimal performance.

By following these steps, you can perform a safe and effective installation of your equipment. Remember to exercise caution when dealing with electrical connections and refer to the manufacturer's instructions for specific details related to your product.

## Troubleshooting

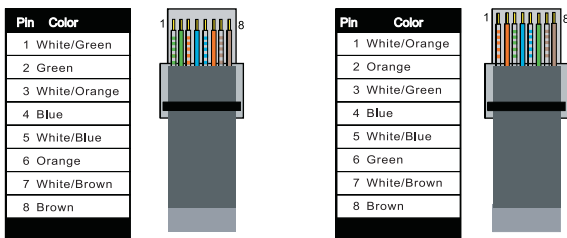
- Follow the manufacturer's installation guide for proper setup.
- Confirm RJ45 cable follows EIA/TIA 568A or 568B standard.
- Don't exceed 30W power per PoE port.
- Test with a functional 20 Port Gigabit L2 Managed PoE Switch for equipment issues.
- Total PoE power on 16 ports limited to 250W.
- In case the software login details are lost, hold the reset button on the PoE switch's front for 10 seconds. This action triggers the LED indicators on each port to flash, resetting the username and password to the default values on page 1 of this manual.

## Plug Producing Method

Required Tools: Wire crimper, network tester, and RJ45 plug with wire sequence conforming to EIA/TIA568A or 568B.

### Instructions:

- 1- Strip off 2cm of the insulating layer to expose the 8 pairs of UTP cable.
- 2- Separate and straighten the 8 pairs of UTP cable.
- 3- Arrange the 8 cables according to EIA/TIA568A or 568B standard.
- 4- Trim the cables, leaving 1.5cm of bare wire exposed.
- 5- Insert each cable into the appropriate pin of the RJ45 plug.
- 6- Utilize the wire crimper to securely crimp the RJ45 plug.
- 7- Repeat the process to create additional ends as needed.
- 8- Use the network tester to verify the cable's functionality.



EIA/TIA 568A

EIA/TIA 568B

**!** When choosing an RJ45, ensure that if one end is EIA/TIA568A, the other end is also EIA/TIA568A.  
When choosing an RJ45, ensure that if one end is EIA/TIA568B, the other end is also EIA/TIA568B.

## Specification

Item		Description	
Power	Power Supply	Built-in Power Supply	
	Input Voltage	100–240 VAC	
	PoE Budget	250W for PoE	
Ethernet	Speed	1–16 Port: 10/100/1000 Mbps 17–18 Port: 10/100/1000 Mbps Ethernet Port 19–20 Port: 1000 Mbps SFP Port (SFP support optical module rates: 1.25 Gbps)	
	Transmission Distance	328 ft. (100 meters) for RJ45 SFP optical module is optional, and the transmission distance depends on the optical module	
Network Switch	Ethernet Standards	IEEE 802.3 / 802.3u / 802.3x / 802.3ab / 802.3af / 802.3at	
	Switching Capacity	40 Gbps	
	Transfer Rate	14,880 pps for 10 Mbps	
		148,800 pps for 100 Mbps	
MAC Address	1,488,000 pps for 1000 Mbps		
LINK / ACT indicator	On	Green	The port connection speed is 1000 Mbps
		Orange	The port connection speed is 10/100 Mbps
	Blinks	-	The port is receiving or transmitting data
	Off	-	The port is not linked successfully with the device
PoE Indicator	On	Green	Power device is connected
	Off	-	Power device is not connected or power forwarding fails
	PoE pin assignment	V+ (RJ45 Pin 1, 2), V- (RJ45 Pin 3, 6)	
Environment	Working Temperature	0°C~40°C (32°F~104°F)	
	Storage Temperature	-40°C~70°C (-40°F~158°F)	
	Humidity Non-Condensing	0~85%	
<b>INDOOR USE ONLY</b>			
Mechanical	Dimensions L x W x H	17.3" x 7.8" x 1.7"	
	Color	440 x 200 x 44 mm Black	

Specifications are subject to change without prior notice.

## Warranty Information

This product is backed by a (5) five-year warranty. Rocstor warrants its products against defects in materials and workmanship for the periods noted, following the initial date of purchase. During this period, the products may be returned for repair, or replacement with equivalent products at our discretion. The warranty covers parts and labor costs only. Rocstor does not warrant its products from defects or damages arising from misuse, abuse, alteration, or normal wear and tear.

### Limitation of Liability

In no event shall the liability of Rocstor, Inc. and Rocstor (or their officers, directors, employees or agents) for any damages (whether direct or indirect, special, punitive, incidental, consequential, or otherwise), loss of profits, loss of business, or any pecuniary loss, arising out of or related to the use of the product exceed the actual price paid for the product. Some states do not allow the exclusion or limitation of incidental or consequential damages. If such laws apply, the limitations or exclusions contained in this statement may not apply to you.

## Support

Technical support is available to all the registered users of Rocstor products.

### Technical Support / RMA

Hours: 9:00 am - 5:00 pm PST  
Monday to Friday (except holidays)

Tell: +1 (818) 727-7000 (National and international)

Fax: +1 (818) 875-0002

Email: support@Rocstor.com

## Copyrights

©2023 Rocstor, Inc. All rights reserved. Rocstor is registered trademark of Rocstor, Inc. Feature and specification are subject to change without notice. All trademarks and registered trademarks are the property of their respective. All rights reserved.