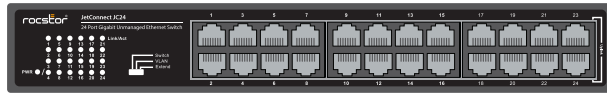


JetConnect



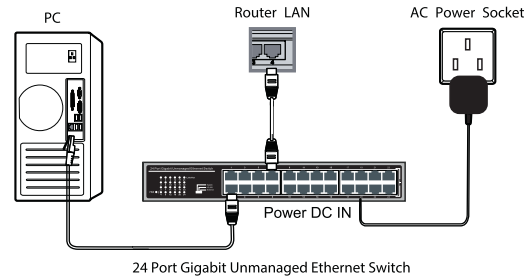
User Manual

JetConnect JC24
Y10S004-B1

24-Port Gigabit Desktop / Rack mount Unmanaged Switch, 24x 10/100/1000 RJ-45 Ports, Metal Enclosure, TAA Compliant - Black

Application

The JetConnect JC24, a 24-Port Gigabit Unmanaged Ethernet Switch, caters to a wide range of applications including small home offices, schools, and small to medium enterprises. This comprehensive gigabit Ethernet switch is crafted to seamlessly upgrade to gigabit speeds, effectively meeting demanding high bandwidth needs. With a provision of 24 adaptive Ethernet ports at 10/100/1000 Mbps each, all ports ensure full line speed, non-blocking switching, and automatic port flipping functionality.



Features

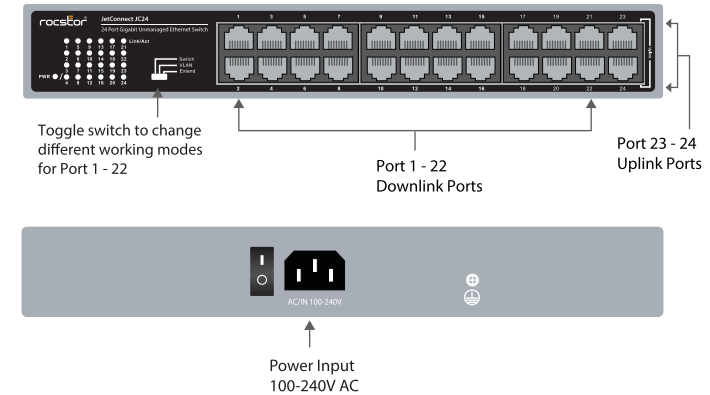
- Conforms to IEEE802.3, IEEE 802.3u, IEEE 802.3ab
- Provides 24 10/100/1000Base-T ports
- High back-plane bandwidth 48 Gbps
- IEEE802.3x Flow control
- The switch supports one-key function conversion, currently supports three modes, normal mode, VLAN mode, extend 250m mode,

Normal: Normal mode, no special function

VLAN : 1-22 port will not communicate with each other only communicate with uplink port 23-24. It will control the Net storm, protect the information security.
extend 250m: 1-22 port can transmit 250 meters, when using Cat5e/6 network cable or better

Board Diagram

JetConnect JC024 24 Port Gigabit Unmanaged Ethernet Switch



Installation Steps

- 1- Prior to Installation: Kindly ensure both the power signal and the display device are switched off. It's vital to note that installing with power active could lead to equipment damage.
- 2- Network Cable Connection: Utilize a network cable to establish a connection between the provided equipment and your PC or any other wired devices that require connectivity.
- 3- Equipment Uplink Connection: Employ another network cable to link the equipment's uplink port with your router's LAN port.
- 4- Power Adapter Attachment: Proceed to connect the provided power adapter.
- 5- Installation Verification: Verify the accuracy of the installation, the overall condition of the equipment, and the stability of connections. After confirming these aspects, you can proceed to power up the system.
- 6- Equipment Power and Functionality: Ensure that the Ethernet equipment is adequately powered and operating smoothly.

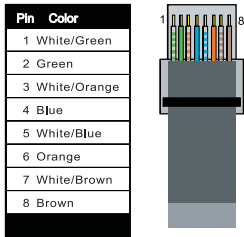
Troubleshooting

- Make sure the equipment is installed according to the manufacturer's installation guide.
- Confirm RJ45 cable order meets EIA/TIA 568A or 568B standard.
- Replace the equipment with a proper functioning 24 Port Network Switch to check if the equipment is damaged.

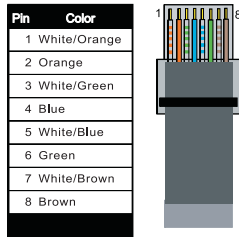
Plug Producing Method

Instruments to be used: wire crimper, network tester and wire sequence of RJ45 plug should conform with EIA/TIA568A or 568B.

1. Please remove 2cm of the insulating layer and bare 8 pairs UTP cable.
2. Separate the 8 pairs of UTP cable and straighten.
3. Line up the 8 pieces of cables per EIA TIA 568A or 568B.
4. Cut off the cables to leave 1.5cm bare wire.
5. Plug 8 cables into RJ45 plug make sure each cable is in each pin.
6. Use the wire crimper to crimp.
7. Repeat above steps to make additional ends.
8. Use network tester to test the cable.



EIA/TIA 568A



EIA/TIA 568B

! When choosing an RJ45, ensure that if one end is EIA/TIA568A, the other end is also EIA/TIA568A.
When choosing an RJ45, ensure that if one end is EIA/TIA568B, the other end is also EIA/TIA568B.

Specification

Item		Description
Power	Power Supply	Built-in Power Supply
	Voltage Range	100–240 VAC
	Consumption	<15W
Ethernet	Speed	Port 1-24: 10/100/1000 Mbps
	Transmission Distance	Port 1-22 820 ft. (250 meters) with 10 Mbps, Port 23-24 328 ft. (100 meters) with 10/100/1000 Mbps
Network Switch	Ethernet Standard	IEEE 802.3 / 802.3u / 802.3ab
	Switching Capacity	48 Gbps
	Transfer Rate	14,880 pps for 10 Mbps 148,800 pps for 100 Mbps 1,488,000 pps for 1000 Mbps
	MAC Address	8K MAC address table
LINK/ACT	On	Green
	Blinks	-
	Off	-
Working Environment	Working Temperature	0°C~40°C (32°F~104°F)
	Storage Temperature	-40°C~70°C (-40°F~158°F)
	Humidity non-condensing	0~85%
Mechanical	Dimension L x W x H	10.63" x 7.09" x 1.73"
	Color	Black

Specifications are subject to change without prior notice.

Package Content

Please check the following items before installation. If any items are missing, please contact Rocstor or the installing company.

- 1x JetConnect JC24
- 1x AC power cable
- 1x User manual



Warranty Information

This product is backed by a (5) five-year warranty. Rocstor warrants its products against defects in materials and workmanship for the periods noted, following the initial date of purchase. During this period, the products may be returned for repair, or replacement with equivalent products at our discretion. The warranty covers parts and labor costs only. Rocstor does not warrant its products from defects or damages arising from misuse, abuse, alteration, or normal wear and tear.

Limitation of Liability

In no event shall the liability of Rocstor, Inc. and Rocstor (or their officers, directors, employees or agents) for any damages (whether direct or indirect, special, punitive, incidental, consequential, or otherwise), loss of profits, loss of business, or any pecuniary loss, arising out of or related to the use of the product exceed the actual price paid for the product. Some states do not allow the exclusion or limitation of incidental or consequential damages. If such laws apply, the limitations or exclusions contained in this statement may not apply to you.

Support

Technical support is available to all the registered users of Rocstor products.

Technical Support / RMA

Hours: 9:00 am - 5:00 pm PST
Monday to Friday (except holidays)

Tell: +1 (818) 727-7000 (National and international)

Fax: +1 (818) 875-0002

Email: support@Rocstor.com

Copyrights

©2023 Rocstor, Inc. All rights reserved. Rocstor is registered trademark of Rocstor, Inc. Feature and specification are subject to change without notice. All trademarks and registered trademarks are the property of their respective. All rights reserved.