

Lenovo

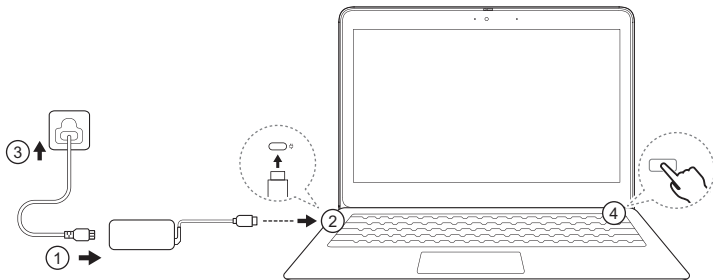
Lenovo 100e Chromebook Gen 4

 chromebook



# Get it started

Wprowadzenie | Introdução | Първи стъпки | Introdução | Comenzar



*i* The illustrations are for your reference. | Ilustracje mają charakter poglądowy. | As ilustrações são para sua referência. | Илюстрациите са за ваша справка. | As ilustrações servem de referência. | Las ilustraciones son para referencia.

*\** For selected models | W wybranych modelach | Em modelos selecionados | За избрани модели | Em modelos selecionados | Para modelos seleccionados



# Overview

Informacje ogólne | Descrição geral | Общ преглед | Visão geral | Visión general



## 1 Camera cover

Oslona kamery | Tampa da câmara |  
Капак на камерата | Tampa da  
câmera | Cubierta de la cámara



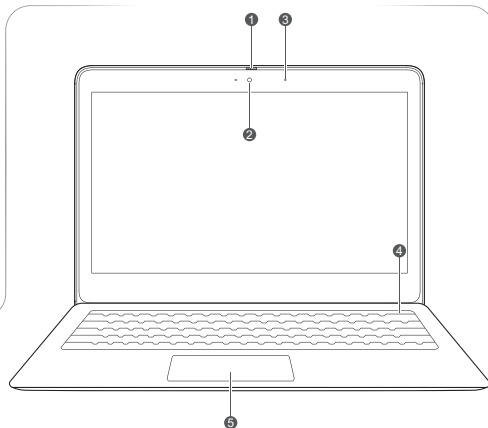
## 2 Camera

Kamera | Câmara | Камера |  
Câmera | Cámara



## 3 Microphone

Mikrofon | Microfone |  
Микрофон | Microphone |  
Micrófono



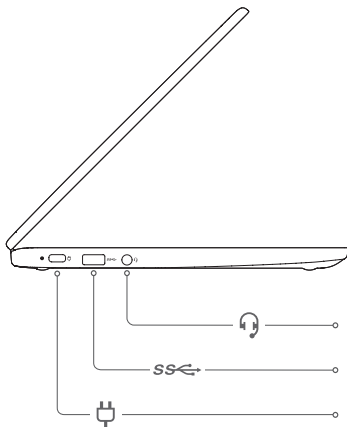
## 4 Power button

Przycisk zasilania |  
Botão para ligar/desligar |  
Бутон за захранване |  
Botão liga/desliga |  
Botón de encendido



## 5 Touchpad

Panel dotykowy | Painel tátil |  
Сензорна повърхност |  
Touchpad | Área táctil



### Combo audio jack

Gniazdko combo audio | Tomada áudio combinada |  
Комбиниран аудиожак | Conector de áudio combinado |  
Conector de audio combinado



### USB (3.2 Gen 1) Type-A connector




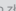
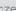
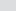
Złącze USB (3.2 Gen 1) Type-A |  
Conector USB (3.2 Gen 1) Type-A |  
USB (3.2 Gen 1) Type-A съединител |  
Conector USB (3.2 Gen 1) Type-A |  
Conector USB (3.2 Gen 1) Type-A



### Multi-purpose USB Type-C® connector

Wielofunkcyjne złącze USB Type-C |  
Conector USB Type-C polivalente |  
Многофункционален USB Type-C съединител |  
Conector USB Type-C multifuncional |  
Conector USB Type-C multipropósito



The USB Type-C connector with a plug icon  next to it also functions as the PC's power input connector. | Złącze USB Type-C z ikoną wtyczki  działa również jako złącze wejściowe zasilania komputera. | O conector USB Type-C com uma ícone de ficha  ao lado também funciona como o conector de entrada de alimentação do PC. | USB Type-C съединителят с икона на щепсела  до него функционира и като съединител за входящо захранване на компютъра. | O conector USB Type-C com um ícone de plugue  ao lado dele também funciona como o conector de entrada de energia do PC. | El conector USB Type-C con un icono de enchufe  junto a él también funciona como conector de entrada de alimentación del PC.



## USB (3.2 Gen 1) Type-A connector

Złącze USB (3.2 Gen 1) Type-A |  
Conector USB (3.2 Gen 1) Type-A |  
USB (3.2 Gen 1) Type-A съединител |  
Conector USB (3.2 Gen 1) Type-A |  
Conector USB (3.2 Gen 1) Type-A



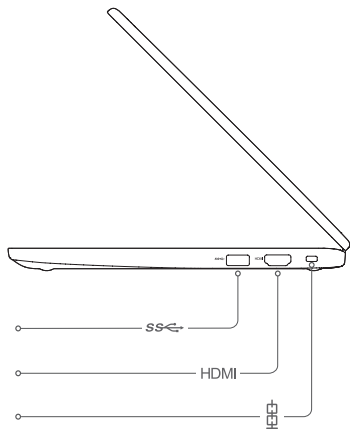
## HDMI™ connector

Złącze HDMI | Conector HDMI | HDMI съединител |  
Conector HDMI | Conector HDMI



## Nano security-lock slot

Gniazdko nano mocowania linki zabezpieczającej |  
Ranhura de bloqueio para segurança de cartões Nano |  
Наногнездо за защитна ключалка |  
Slot para trava de segurança nano |  
Ranura de bloqueo de seguridad nano



Scan the *User Guide* QR code and read the statement on USB transfer rates. | Zeskanuj kod QR w *Podręczniku użytkownika* i przeczytaj oświadczenie o szybkości przesyłania danych za pomocą USB. | Efetue a leitura do código QR do *Manual do Utilizador* e leia a declaração relativa às velocidades de transferência USB. | Сканирайте QR кода на *Ръководството за потребителя* и прочетете изявлението за скоростта за прехвърляне на USB. | Digitalize o código QR do *Guia do Usuário* e leia a declaração sobre taxas de transferência USB. | Escanee el código QR de la *Guía del usuario* y lea la declaración sobre velocidades de transferencia de USB.

## Specific absorption rate (SAR)

YOUR DEVICE MEETS INTERNATIONAL GUIDELINES FOR EXPOSURE TO RADIO WAVES.

Refer to the following for 10g SAR limit and maximum reported SAR values:

Item	Body-worn SAR	Limb SAR
10g SAR limit	2 W/kg	4 W/kg
Maximum SAR with 0 mm separation distance	0.346 W/kg	0.346 W/kg

For more information about SAR, refer to the *Safety and Warranty Guide* that came with your device.

## European Union (EU) / United Kingdom (UK) — radio frequency and power

This radio equipment operates with the following frequency bands and maximum radio frequency power.

Technology	Frequency band [MHz]	Maximum transmit power
WLAN 802.11b/g/n/ax	2400 - 2483.5	< 20 dBm
WLAN 802.11a/n/ac/ax	5150 - 5725	< 23 dBm
WLAN 802.11a/n/ac/ax	5725 - 5875	< 13.98 dBm
Bluetooth BR/EDR/LE	2400 - 2483.5	< 20 dBm

Note: Not all wireless bands may be enabled depending on your product configuration. Usage of this device is limited to indoor locations in the bands 5150-5350 MHz and 5945-6425 MHz.

## Współczynnik promieniowania SAR (Specific Absorption Rate)

TO URZĄDZENIE SPEŁNIA MIĘDZYNARODOWE WYTYCZNE DOTYCZĄCE WYSTAWIENIA NA ODDZIAŁYWANIE FAL RADIOWYCH.

Poniżej wskazano limit SAR wynoszący 10 g i podano maksymalne zgłaszane wartości SAR:

Element	Wartość SAR przy noszeniu przy ciele	Wartość SAR dla kończyn
Limit SAR wynoszący 10 g	2 W/kg	4 W/kg
Maksymalna wartość SAR przy noszeniu na ciele w odległości 0 mm	0,346 W/kg	0,346 W/kg

Więcej informacji na temat współczynnika promieniowania SAR (Specific Absorption Rate) zawiera *Podręcznik na temat bezpieczeństwa i gwarancji* dostarczony z urządzeniem.

## Zgodność z przepisami Unii Europejskiej / Wielkiej Brytanii dotyczącymi częstotliwości i mocy sprżętu radiowego

Urządzenie używa następujących pasm częstotliwości radiowych i maksymalnej mocy fal radiowych.

Technologia	Pasmo częstotliwości [MHz]	Maksymalna moc nadawania
WLAN 802.11b/g/n/ax	2400 - 2483,5	< 20 dBm
WLAN 802.11a/n/ac/ax	5150 - 5725	< 23 dBm
WLAN 802.11a/n/ac/ax	5725 - 5875	< 13,98 dBm
Bluetooth BR/EDR/LE	2400 - 2483,5	< 20 dBm

Uwaga: w zależności od konfiguracji produktu nie wszystkie pasma łączności bezprzewodowej mogą być włączone. Urządzenie jest przeznaczone do używania wewnątrz budynków, w pasmach częstotliwości 5150 - 5350 MHz i 5945 - 6425 MHz.

## Taxa de Absorção Específica (SAR)

O SEU DISPOSITIVO CUMPRE AS DIRETRIZES INTERNACIONAIS PARA EXPOSIÇÃO A ONDAS DE RÁDIO.

Consulte, no seguinte documento, o limite da SAR de 10 g e a SAR máxima registrada:

Item	SAR ao nível do corpo	SAR relativa a membros específicos
Limite SAR de 10 g	2 W/kg	4 W/kg
SAR máxima com distância de separação de 0 mm	0,346 W/kg	0,346 W/kg

Para mais informações sobre a SAR, consulte o *Manual de Segurança e Garantia* fornecido com o seu dispositivo.

## União Europeia (UE) / Reino Unido (Reino Unido) — frequência de rádio e energia

Este equipamento de rádio funciona com as seguintes bandas de frequência e potência de radiofrequência máxima.

Tecnologia	Banda de frequência [MHz]	Energia máxima transmitida
WLAN 802.11b/g/n/ax	2400 - 2483,5	< 20 dBm
WLAN 802.11a/n/ac/ax	5150 - 5725	< 23 dBm
WLAN 802.11a/n/ac/ax	5725 - 5875	< 13,98 dBm
Bluetooth BR/EDR/LE	2400 - 2483,5	< 20 dBm

Nota: nem todas as bandas sem fios podem ser ativadas, dependendo da configuração do produto. A utilização deste dispositivo está limitada a locais interiores nas bandas 5150 - 5350 MHz e 5945 - 6425 MHz.

## ● Специфично ниво на поглъщане (SAR)

УСТРОЙСТВОТО ОТГОВАРЯ НА МЕЖДУНАРОДНИТЕ УКАЗАНИЯ ЗА ИЗЛАГАНЕ НА РАДИО ВЪЛНИ.

Вж. следното за ограничението за SAR за 10 g и максималните съобщени стойности на SAR:

Елемент	SAR при носене до тялото	SAR за крайник
Ограничение за SAR за 10 g	2 W/kg	4 W/kg
Максимална стойност на SAR при разстояние 0 мм	0,346 W/kg	0,346 W/kg

За повече информация относно SAR (специфично ниво на поглъщане) вижте *Ръководство за безопасност и гаранция*, предоставено с вашето устройство.

## ● Европейски съюз (ЕС)/Обединено кралство (UK) – радиочестота и мощност

Това радиооборудване работи със следните честотни ленти и максимална радиочестотна мощност.

Технология	Честотна лента [MHz]	Максимална мощност на предаване
WLAN 802.11b/g/n/ax	2400 - 2483,5	< 20 dBm
WLAN 802.11a/n/ac/ax	5150 - 5725	< 23 dBm
WLAN 802.11a/n/ac/ax	5725 - 5875	< 13,98 dBm
Bluetooth BR/EDR/LE	2400 - 2483,5	< 20 dBm

Забележка: не всички безжични ленти може да са разрешени в зависимост от конфигурацията на продукта. Употребата на това устройство се ограничава само на закрито в честотните ленти 5150 - 5350 MHz и 5945 - 6425 MHz.

## ● Taxa de absorção específica (SAR)

SEU DISPOSITIVO ATENDE ÀS DIRETRIZES INTERNACIONAIS DE EXPOSIÇÃO A ONDAS DE RÁDIO.

Consulte o seguinte para obter o limite da SAR de 10 g e os valores SAR máximos reportados:

Item	SAR no corpo	SAR no membro
Limite de SAR para 10 g	2 W/kg	4 W/kg
SAR máxima com distância de separação de 0 mm	0,346 W/kg	0,346 W/kg

Para obter mais informações sobre SAR, consulte o *Guia de Segurança e Garantia* fornecido com o dispositivo.

## União Europeia (UE)/Reino Unido (UK) – Radiofrequência e alimentação

Este equipamento de rádio opera com as faixas de frequência e a energia de radiofrequência máxima a seguir.

Tecnologia	Faixa de frequência [MHz]	Potência de transmissão máxima
WLAN 802.11b/g/n/ax	2.400 - 2.483,5	< 20 dBm
WLAN 802.11a/n/ac/ax	5.150 - 5.725	< 23 dBm
WLAN 802.11a/n/ac/ax	5.725 - 5.875	< 13,98 dBm
Bluetooth BR/EDR/LE	2.400 - 2.483,5	< 20 dBm

Nota: nem todas as bandas wireless podem ser habilitadas dependendo da configuração do produto. A utilização deste dispositivo é limitada a locais internos nas bandas 5.150 - 5.350 MHz e 5.945 - 6.425 MHz.

## ● Tasa de absorción específica (SAR)

EL DISPOSITIVO CUMPLE CON LAS PAUTAS INTERNACIONALES DE EXPOSICIÓN A ONDAS DE RADIO.

Consulte lo siguiente para el límite de SAR de 10 g y los valores de SAR máximos notificados:

Elemento	SAR implantado en el cuerpo	SAR de extremidad
Limite SAR de 10 g	2 W/kg	4 W/kg
SAR máximo con una distancia de separación de 0 mm	0,346 W/kg	0,346 W/kg

Para obtener más información sobre SAR, consulte la *Guía de seguridad y garantía* que se incluye con el dispositivo.

## Unión Europea (UE) / Reino Unido: radiofrecuencia y alimentación

Este equipo de radio funciona con las siguientes bandas de frecuencia y energía de radiofrecuencia máxima.

Tecnología	Banda de frecuencia [MHz]	Energía de transmisión máxima
WLAN 802.11b/g/n/ax	2400 - 2483,5	< 20 dBm
WLAN 802.11a/n/ac/ax	5150 - 5725	< 23 dBm
WLAN 802.11a/n/ac/ax	5725 - 5875	< 13,98 dBm
Bluetooth BR/EDR/LE	2400 - 2483,5	< 20 dBm

Nota: No todas las bandas inalámbricas pueden estar habilitadas según la configuración del producto. La utilización de este dispositivo está limitada a ubicaciones en las bandas de 5150 a 5350 MHz y 5945 a 6425 MHz.

## Open source information

Your Chromebook may include software made publicly available by Google and other third parties, including software licensed under the General Public License and/or the Lesser General Public License (the "open source software").

You may obtain a copy of the corresponding source code for any such open source software licensed under the General Public License and/or the Lesser General Public License (or any other license requiring us to make a written offer to provide corresponding source code to you) from Lenovo for a period of three years without charge except for the cost of media, shipping, and handling, upon written request to Lenovo. This offer is valid to anyone in receipt of this device. You may send your request in writing to the address below accompanied by a check or money order for \$5 to:

*Lenovo Legal Department*

*Attn: Open Source Team / Source Code Requests 8001 Development Dr.  
Morrisville, NC 27560*

As part of your request, please include a "UNAME" and a "CHROME VERSION" of this device available by typing: "Chrome://system" in a Chrome Browser's address bar. Be sure to provide a return address.

The open source software is distributed in hope it will be useful, but WITHOUT ANY WARRANTY; without even the implied warranty of MERCHANTABILITY or FITNESS FOR A PARTICULAR PURPOSE. See for example the GNU General Public License and/or the Lesser General Public License for more information.

To view additional information regarding licenses, acknowledgments and required copyright notices for the open source software used in your device, type: "Chrome://credits" in the Chrome Browser's address bar.

This device may include certain pre-installed application programs or pre-configured links for downloading application programs published by parties other than Lenovo. Such third-party application programs may include open source software made publicly available by the respective publishers of those application programs. You may obtain the corresponding source code for any such open source software directly from the publisher of the applicable application program, to the extent permitted under the relevant open source software license agreement. Additional information is provided by the publisher of each application program within the menu structure of its application program.

First Edition (February 2024)  
© Copyright Lenovo 2024.

Chromebook is a trademark of Google LLC. Lenovo and the Lenovo logo are trademarks of Lenovo. The terms HDMI and HDMI High-Definition Multimedia Interface, and the HDMI logo are trademarks or registered trademarks of HDMI Licensing Administrator, Inc. in the United States and other countries. USB Type-C is a registered trademark of USB Implementers Forum. All other trademarks are the property of their respective owners.

### LIMITED AND RESTRICTED RIGHTS NOTICE:

If data or software is delivered pursuant to a General Services Administration "GSA" contract, use, reproduction, or disclosure is subject to restrictions set forth in Contract No. GS-35F-05925.

Reduce  
Reuse  
Recycle



For FSC Mix logo only