

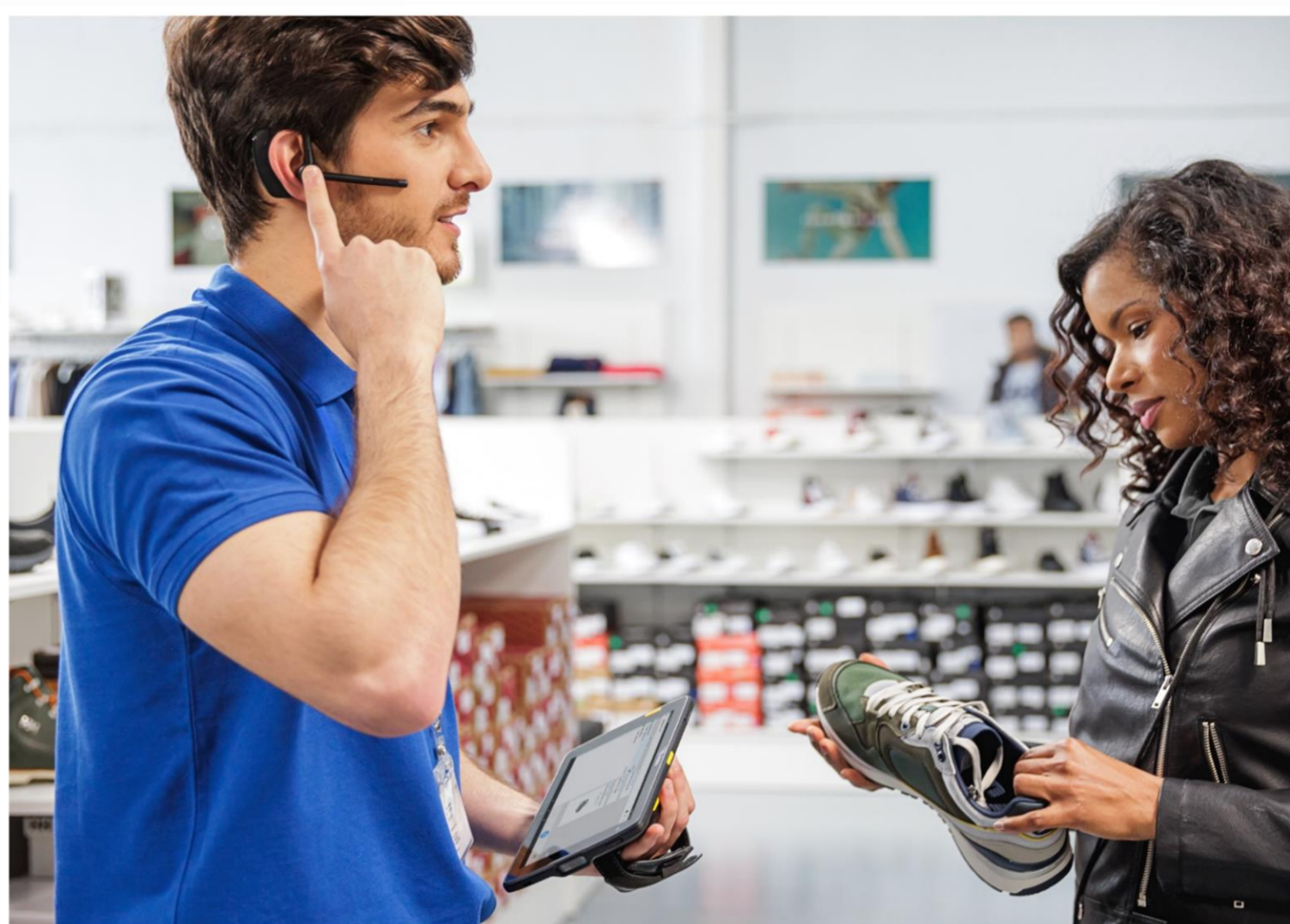
ET40 and ET45 Accessories Guide

The right-priced rugged tablets
that have it all

For the latest version of this guide and more,
please visit www.zebra.com/et4x

October 2023

v1.9





Contents

I. Accessories that POWER devices	
Wall Charger and Cradles	3
Wall charger, Single-slot and multi-slot cradles, cradle mounts, VESA adapter	
Expansion Backs and PowerPacks	8
Expansion Backs, PowerPacks, PowerPack chargers	
Power supply	10
Power supplies, cables, adapters	
II. Accessories that PROTECT devices	
Rugged Boots	11
III. Accessories that ENABLE productivity solutions	
Straps	12
Shoulder Straps, Hand Strap, and D-Clips	
Connect Cradle, Hub, and Stand	13
Connect Cradle, Connect Hub, Presentation Stand, Battery Door Adapter, Desktop Mounting Brackets, Communication “Y” cable, Key Tool	
Payment	16
Payment Backs for Ingenico Link 2500i and Zebra PD20	
Stylus and Tethers	17
Plastic Passive Stylus, Fiber Tip Passive Stylus, Tethers	
Headsets – Wired and Wireless	18
Workforce Connect Headsets, Rugged Headsets – wired and wireless, Adapters	
IV. Other Accessories / Spare / Replacement Parts	20
Spare internal batteries, battery covers, replacement hand straps, etc.	
V. Third Party Accessories	
RAM® Mounts and GDS® Tech™	23
HAVIS	25
Gamber-Johnson and InfoCase	27
ProClip	35
MTI	39

Wall Charger



USB Wall Power Supply

SKU# PWR-WUA5V12W0XX

USB type A Wall Power Supply adaptor 5V 2.5A

Replace 'XX' in SKU as follows to get the right plug style based on region:

US (United States) • GB (United Kingdom) • EU (European Union) •
AU (Australia) • CN (China) • IN (India) • KR (Korea) • BR (Brazil)

- Charges a single ET40/ET45 tablet
- 8" tablet charges from 0–80% in less than 2.5 hours
- 10" tablet charges from 0–80% in less than 3 hours
- Requires a USB cable sold separately

Sold separately:

- USB C to USB A communications and charging cable [SKU# CBL-TC5X-USBC2A-01](#)

Single Slot Cradle



Single-slot Charge-only Cradle

SKU# [CRD-ET4X-1SCG1-01](#)

Single-slot charge-only cradle. Charges a single ET40/ET45 tablet.

- Accommodates tablet with or without rugged boot, expansion back, or payment back.
- 8" tablet charges from 0–80% in less than 2 hours.
- 10" tablet charges from 0–80% in less than 2.5 hours.

Sold separately:

- Power supply [SKU# PWR-BGA12V50W0WW](#) and DC cable [SKU# CBL-DC-388A1-01](#).
- Country-specific AC line cord (options listed in this document) compatible with the power supply SKU.



Multi Slot Cradles



Four-slot Charge-only Cradle for 8" Tablets

SKU# [CRD-ET4X-4S8I1-01](#)

Four-slot charge-only ShareCradle with T-adapters for 8" tablets. Charges up to four 8" ET40/ET45 tablets.

- Accommodates tablet with or without rugged boot, expansion back, or payment back.
- T-adapter in each device slot can be flipped/rotated to fit a tablet only configuration or tablet with rugged boot configuration.
- Includes space to install optional four-slot PowerPack battery charger.
- 8" tablet charges from 0–80% in less than 2 hours.

Sold separately:

- Power supply [SKU# PWR-BGA12V108W0WW](#) and DC cable [SKU# CBL-DC-382A1-01](#).
- Country-specific AC line cord (options listed in this document) compatible with the power supply SKU.
- Optional 4-slot PowerPack battery charger [SKU# SAC-ET5X-4PPK1-01](#) and related power cables.



Four-slot Charge-only Cradle for 10" Tablets

SKU# [CRD-ET4X-4S10I1-01](#)

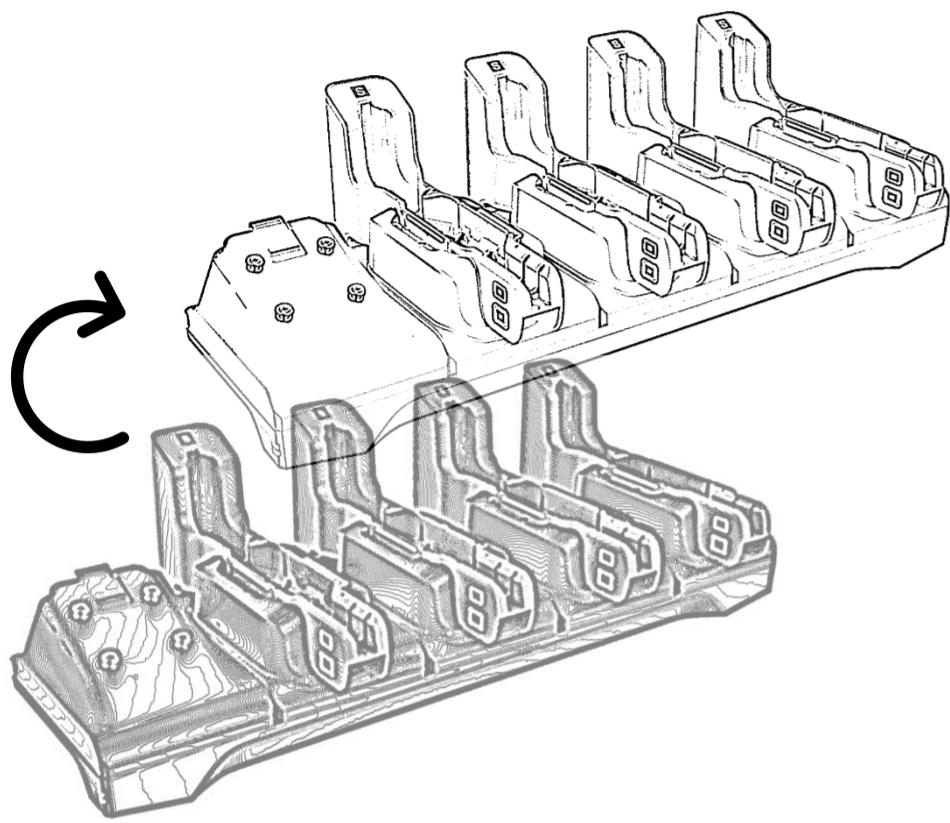
Four-slot charge-only ShareCradle with T-adapters for 10" tablets. Charges up to four 10" ET40/ET45 tablets.

- Accommodates tablet with or without rugged boot, expansion back, or payment back.
- T-adapter in each device slot can be flipped/rotated to fit a tablet only configuration or tablet with rugged boot configuration.
- Includes space to install optional four-slot PowerPack battery charger.
- 10" tablet charges from 0–80% in less than 2.5 hours.

Sold separately:

- Power supply [SKU# PWR-BGA12V108W0WW](#) and DC cable [SKU# CBL-DC-382A1-01](#).
- Country-specific AC line cord (options listed in this document) compatible with the power supply SKU.
- Optional 4-slot PowerPack battery charger [SKU# SAC-ET5X-4PPK1-01](#) and related power cables.

Multi Slot Cradles



Device cradle cup replacement kit

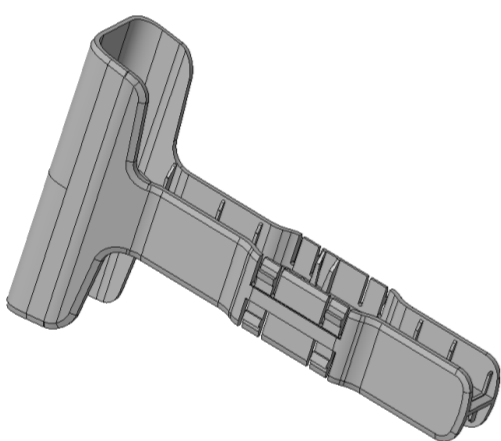
SKU# CRDCUP-4S-ET5TOET4

Replacement kit for conversion of ET5X multi-slot cradle to ET4X multi-slot cradle.

- Supports conversion from ET5X multi-slot cradle [SKU# CRD-ET5X-SE4CO3-01](#)
- Also supports conversion from select ET5X multi-slot cradle [SKU# CRD-ET5X-SE4CO2-01](#) with base identifier AS-000254-11 or greater
- Does not include the T-adapters needed to hold ET4X tablets.

Sold separately:

- Required T-adapters for tablets to place in cups [SKU# ADP-ET4X-8T4S1-04](#) or [SKU# ADP-ET4X-10T4S1-04](#) for 8" or 10" respectively.

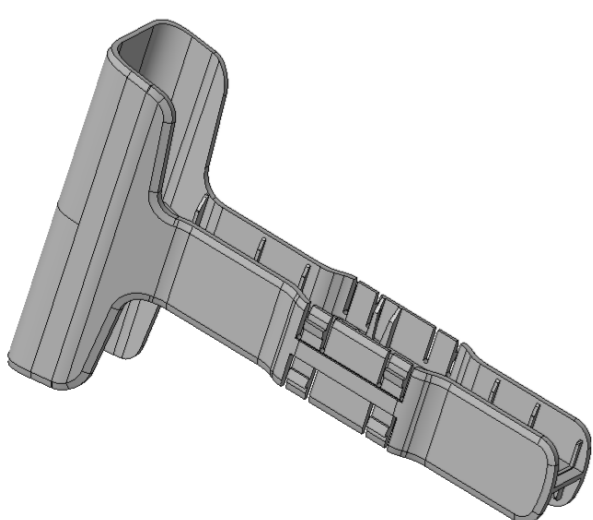


T-adapters for 8" tablets used in multi slot cradles

SKU# ADP-ET4X-8T4S1-04

Optional T-adapter for 8" ET40 and ET45 for use in ET4X Four Slot Cradle (Pack of 4).

- Used as a spare/replacement of T-adapters, or for use with cradle cup replacement kit, or to mix-and-match 8" and 10" tablets in the same cradle
- Accommodates tablet with or without rugged boot, expansion back, or payment back. T-adapter in each device slot can be flipped/rotated to fit a tablet only configuration or tablet with rugged boot configuration.



T-adapters for 10" tablets used in multi slot cradles

SKU# ADP-ET4X-10T4S1-04

Optional T-adapter for 10" ET40 and ET45 for use in ET4X Four Slot Cradle (Pack of 4).

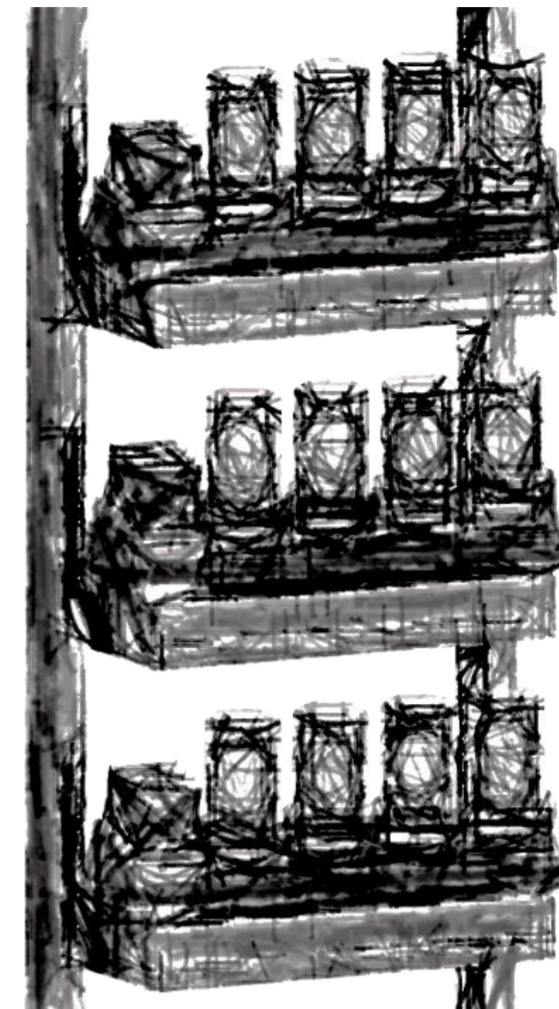
- Used as a spare/replacement of T-adapters, or for use with cradle cup replacement kit, or to mix-and-match 8" and 10" tablets in the same cradle
- Accommodates tablet with or without rugged boot, expansion back, or payment back. T-adapter in each device slot can be flipped/rotated to fit a tablet only configuration or tablet with rugged boot configuration.

Mounting options for chargers

Rack mounting for space optimization

Optimize available space by mounting any set of four-slot chargers for ET4X on a standard, 19-inch server rack.

- Ideal for customers that have several devices per location.
- Compatible with all multi-slot chargers for ET4X.



Mounting bracket

SKU# BRKT-SCRD-SMRK-01

Use multi-slot ShareCradle mounting bracket to attach four-slot ET4X cradles to the wall or mount on a 19-inch server rack.

- Offers cable routing slots and removable tray that stores / conceals power supply.
- Adjustable orientations include Horizontal or 25° angle for high density easy access

Other mounting options with power

VESA mounting for versatility

Create an ability to mount ET40 and ET45 tablet to any VESA mount.

- Ideal for customers that are retrofitting or have a fixed kiosk need.



VESA Adapter for 10" Tablet

SKU# ZBK-ET4X-10VESA-01

Expansion Back for 10" ET40 and ET45 tablet with VESA Pattern and DC power input

- Replaces existing battery cover and screws down to back of tablet.
- Powers the tablet using the pogo connectors on the back of the tablet.

Sold separately:

- Power supply SKU# PWR-BGA12V50W0WW and DC cable SKU# CBL-DC-388A2-01.
- Country-specific AC line cord (options listed in this document) compatible with the power supply SKU.

Expansion Backs and PowerPacks



Expansion Backs for 8" and 10" Tablets

8" SKU# ZBK-ET4X-8BTRYBK1-01

10" SKU# ZBK-ET4X-10BTRYBK1-01

Expansion Back for 8" tablets and 10" tablets for use with PowerPack batteries. Includes rotating hand strap and scanner trigger buttons.

- Replaces existing battery cover and screws down to back of tablet.
- May be used for ergonomics only, if necessary, for rotating handstrap and scan buttons.
- Use of PowerPack battery is optional. Battery compartment needs to be covered with a plastic cap/plug in lieu of PowerPack battery.
- PowerPack in Expansion Back on a tablet is charged only when tablet is placed in a cradle.

Sold separately:

- PowerPack battery SKU# BTRYET5X-PRPK2-01
- Optional 4-slot PowerPack battery charger SKU# SAC-ET5X-4PPK1-01 and related power cables.



PowerPack Battery for Expansion Backs

SKU# BTRY-ET5X-PRPK2-01

India SKU# BTRY-ET5X-PRPK2-IA

Optional PowerPack battery for use in ET4X and ET5X expansion backs for 8" and 10" tablets. Rechargeable Li-Ion 7.6V 3400mAh 25.84Wh.

- Battery charges internal battery of ET4X tablet.
- Has 5 LED indicators for PowerPack charge status.
- Hot swappable in the expansion back, enables continuous use across multiple shifts.

Sold separately:

- Optional 4-slot PowerPack battery charger SKU# SAC-ET5X-4PPK1-01 and related power cables.

Expansion Backs and PowerPacks



Four Slot PowerPack Battery Charger

SKU# SAC-ET5X-4PPK1-01

Toaster-style battery charger. Charges up to four PowerPack batteries.

- Standalone 4-slot charger with charge state indicator LEDs
- Can be docked in 4-slot ShareCradle via adapter cup - requires its own power supply even while docked with ShareCradles

Sold separately:

- Power supply SKU# PWR-BGA12V50W0WW and DC cable SKU# CBL-DC-388A1-01.
- Country-specific AC line cord (options listed in this document) compatible with the power supply SKU.
- PowerPack battery SKU# BTRYET5X-PRPK2-01

Accessories that power devices



Power supply, cables, and adaptors

Power supply and cable matrix

SKU#	Description	Note
PWR-BGA12V108W0WW	Level VI AC/DC power supply brick. AC Input: 100–240V, 2.8A. DC Output: 12V, 9A, 108W.	Use with: • CRD-ET4X-4S8I1-01 • CRD-ET4X-4S10I1-01
CBL-DC-382A1-01	DC line cord for running multi-slot cradles from a single Level VI power supply.	
PWR-BGA12V50W0WW	Level VI AC/DC power supply brick. AC Input: 100-240V, 2.4A. DC Output: 12V, 4.16A, 50W.	Use with: • CRD-ET4X-1SCG1-01 • SAC-ET5X-4PPK1-01 • ZBK-ET4X-10VESA-01 • STND-ET4X-10POS1-01
PWR-BGA24V150W1WW	Level VI AC/DC Power Supply Brick. AC Input: 100-240V, 2.0A. DC Output: 24V, 6.25A, 150W.	Use with: • CRD-BLNK-1SNHP-01
CBL-DC-388A1-01	DC line cord for running single-slot cradles or battery chargers from a single Level VI power supply.	Use with: • CRD-ET4X-1SCG1-01 • SAC-ET5X-4PPK1-01
CBL-DC-388A2-01	DC line cord for running VESA mounts and Presentation Stand from a single Level VI power supply. 12VDC, 4.16A, 1.8m length.	Use with: • ZBK-ET4X-10VESA-01 • STND-ET4X-10POS1-01
CBL-TC5X-USBC2A-01	USB C to USB A communications and charging cable, 1m long	Use with: • PWR-WUA5V12W0XX
PWR-WUA5V12W0XX	USB type A power supply adaptor (wall wart). Replace 'XX' in SKU as follows to get the right plug style based on region: US (United States) • GB (United Kingdom) • EU (European Union) AU (Australia) • CN (China) • IN (India) • KR (Korea) • BR (Brazil)	Use with a communications & charge cable to directly charge ET40 / ET45 device drawing power from a wall socket.

Country-specific AC line cords: grounded, 3-prong



SKU#	Country / region	Note
23844-00-00R	North America (United States, Canada, Mexico)	7.5 feet long
50-16000-678R	North America (United States, Canada, Mexico)	3 feet long
50-16000-221R	North America (United States, Canada, Mexico)	6 feet long
50-16000-727R	Brazil	1.8 meters (6 feet) long
50-16000-680R	Argentina	1.8 meters (6 feet) long
50-16000-217R	American Samoa, Australia, New Guinea	1.8 meters (6 feet) long
50-16000-218R	Japan	1.8 meters (6 feet) long
50-16000-219R	Antigua, Bermuda, Burma, Channel Islands, Hong Kong, Iraq, Ireland, Malaysia, North Ireland, Scotland, Singapore, United Kingdom, Wales	1.8 meters (6 feet) long
50-16000-257R	China	1.8 meters (6 feet) long
50-16000-220R	Europe, Abu Dhabi, Bolivia, Dubai, Egypt, Iran, Korea, Russia, Vietnam	1.8 meters (6 feet) long
50-16000-671R	Italy	1.8 meters (6 feet) long
50-16000-669R	India, S. Africa, Africa	1.8 meters (6 feet) long

Rugged boots



Rugged boot for 8" tablets

SKU# [SG-ET4X-8EXOSKL1-01](#)

Rugged Boot / Exoskeleton for 8" ET40 and ET45 tablet

- Snap-on style; no tools needed
- Increases drop protection to 5.1ft / 1.55m
- Has hook points for D-clips and straps
- Leaves the battery door/cover area open to accommodate expansion backs that go to the back of the tablet
- Compatible with the single-slot and multi-slot cradles

Sold separately:

- D-clips [SKU# SG-ET4X-DCLIPS-01](#)
- Purpose-built shoulder strap [SKU# SG-ET5X-SHDRSTP-01](#) or [58-40000-007R](#)



Rugged boot for 10" tablets

SKU# [SG-ET4X-10EXOSKL1-01](#)

Rugged Boot / Exoskeleton for 10" ET40 and ET45 tablet

- Snap-on style; no tools needed
- Increases drop protection to 5.1ft / 1.55m
- Has hook points for D-clips and straps
- Leaves the battery door/cover area open to accommodate expansion backs that go to the back of the tablet
- Compatible with the single-slot and multi-slot cradles

Sold separately:

- D-clips [SKU# SG-ET4X-DCLIPS-01](#)
- Purpose-built shoulder strap [SKU# SG-ET5X-SHDRSTP-01](#) or [58-40000-007R](#)

Shoulder Straps and Hand Straps

Note: Straps and D-clips, on tablet/boot in certain orientations, may not be compatible with the multi-slot cradles. Users may need to unhook the D-clips to charge tablet in the cradle.



Breakaway Shoulder Strap

SKU# [SG-ET5X-SHDRSTP-01](#)

Shoulder strap with breakaway safety feature for 8" and 10" ET4X tablets

- Requires Rugged Boot and D-clips to hook to use with ET4X tablet
- Has points near the clip that break when pulled, for safety

Sold separately:

- D-clips [SKU# SG-ET4X-DCLIPS-01](#)
- Rugged boot [SKU# SG-ET4X-8EXOSKL1-01](#) or [SG-ET4X-10EXOSKL1-01](#)



Universal Shoulder Strap

SKU# [58-40000-007R](#)

Universal shoulder/cross-body strap for 8" and 10" ET4X tablets

- Requires Rugged Boot and D-clips to hook to use with ET4X tablet
- 1.5" wide, 22" to 50" length

Sold separately:

- D-clips [SKU# SG-ET4X-DCLIPS-01](#)
- Rugged boot [SKU# SG-ET4X-8EXOSKL1-01](#) or [SG-ET4X-10EXOSKL1-01](#)



Hand Strap

SKU# [SG-ET5X-HNDSTP-01](#)

Hand strap for 8" and 10" ET4X tablets

- Requires Rugged Boot and D-clips to hook to use with ET4X tablet
- Plastic handle for secure grip and carrying

Sold separately:

- D-clips [SKU# SG-ET4X-DCLIPS-01](#)
- Rugged boot [SKU# SG-ET4X-8EXOSKL1-01](#) or [SG-ET4X-10EXOSKL1-01](#)



D-clips

SKU# [SG-ET4X-DCLIPS-01](#)

Pair of D-clips that provides required hook points for a shoulder or hand strap on a rugged frame on 8" and 10" ET4X tablet

Connect Cradles

These accessories allow for the ET40/45 tablet to connect to multiple purpose-built peripherals and enable Zebra Workstation Connect on an external monitor. The **Connect Cradle** offers connections for standard workstation setups (monitor, keyboard, mouse) while the **Connect Hub** provides three additional powered USB ports for setups utilizing POS-specific peripherals such as a payment terminal, receipt printer, or scanner.



Connect Cradle

SKU# [CRD-ET4X-1SNWS-01](#)

Workstation Connect Cradle for 8"/10" ET40/ET45 tablets

- Allows to connect the tablet to an external monitor and peripherals.
- Ports on the cradle include HDMI, RJ45 ethernet, 3.5mm headset jack and four USB-A.
- Accommodates tablet with or without rugged boot. Incompatible with expansion back, or payment back on the tablet.
- Features a locking cable cover that secures and protects the connections of all peripherals in the back, preventing tampering or accidental disconnects

Sold separately:

- Power supply [SKU# PWR-BGA12V50W0WW](#) and DC cable [SKU# CBL-DC-388A2-01](#)
- Country-specific grounded AC line cord (options listed in this document) compatible with the power supply SKU.

Connect Hub

SKU# [CRD-BLNK-1SNHP-01](#)

Point of Sale Connect Hub for 8"/10" ET40 and ET45 tablets

- Allows to connect a host device to an external monitor and multiple peripherals.
- Ports on the hub include HDMI, RJ45 ethernet, 3.5mm headset jack, four USB-A, 24V powered USB, and two 12V powered USB ports.
- Accommodates tablet with or without rugged boot. Incompatible with expansion back, or payment back on the tablet.
- Features a locking cable cover that secures and protects the connections of all peripherals in the back, preventing tampering or accidental disconnects

Sold separately:

- Charge and Communication cable [SKU# CBL-ET4X-SCHCAB-01](#)
- Power supply [SKU# PWR-BGA24V150W1WW](#)
- Mounting Bracket [SKU# BRKT-NWPC-DSKPS-01](#)
- Country-specific grounded AC line cord (options listed in this document) compatible with the power supply SKU.



Presentation Stand

ET40 and ET45 tablets are retail-ready and hospitality-ready with Zebra's Presentation Stand to facilitate a kiosk, check-in, self-service, information, or point-of-sale application.



Presentation Stand

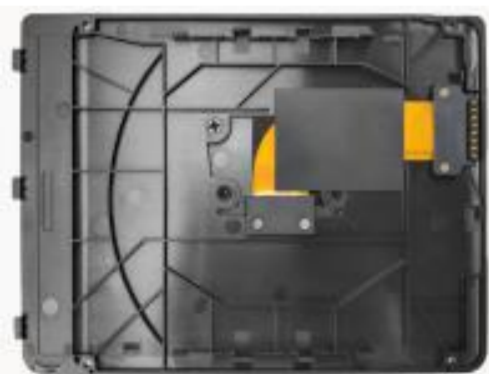
SKU# [STND-ET4X-10POS1-01](#)

Presentation Stand for 10" ET40 and ET45 tablets

- Tablet is mounted to the stand and receives power and USB communication using the battery door adapter
- Stand features height adjustment, tablet tilting for the best view angle, and base rotation to switch between associate and customer controlling the application content based on the tablet orientation
- Tablet is secured using an electro-mechanical lock; can be unlocked using an application on tablet or a back-up mechanical key
- Accommodates tablet with or without rugged boot
- Can be mounted securely to the desk/table using a desktop mounting plate
- When used with a Connect Hub for POS application, a communication "Y" cable is required.

Sold separately:

- Battery Door Adapter for Presentation Stand [SKU# MISC-ET4X-BTDPS-01](#) or [SKU# MISC-ET4X-PBTDS-01](#) in landscape or portrait orientation, respectively.
- Desktop Mounting Plate [SKU# BRKT-ET4X-DSKPS-01](#)
- Charge and Communication "Y" cable [SKU# CBL-ET4X-SCHCAB-01](#)
- Power supply [SKU# PWR-BGA12V50W0WW](#) and DC cable [SKU# CBL-DC-388A2-01](#)
- Country-specific grounded AC line cord (options listed in this document) compatible with the power supply SKU.



Battery Cover for Presentation Stand

Landscape Orientation [SKU# MISC-ET4X-BTDPS-01](#)

Portrait Orientation [SKU# MISC-ET4X-PBTDS-01](#)

Battery Cover for 10" ET4X tablet to dock with the Presentation Stand

- Replaces existing battery cover and screws down to back of tablet in landscape orientation.
- Provides charge and communication.

Accessories related to Connect Cradles and Stand

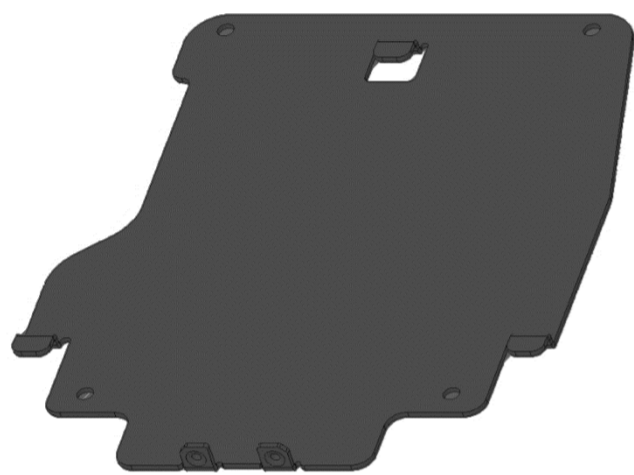


Desktop Mounting Bracket for Connect Hub

SKU# BRKT-NWPC-DSKPS-01

Desktop Mounting Bracket for Connect Hub

- Enables secure mounting of Connect Hub to the desk/table
- Provides additional security against theft of the Connect Hub

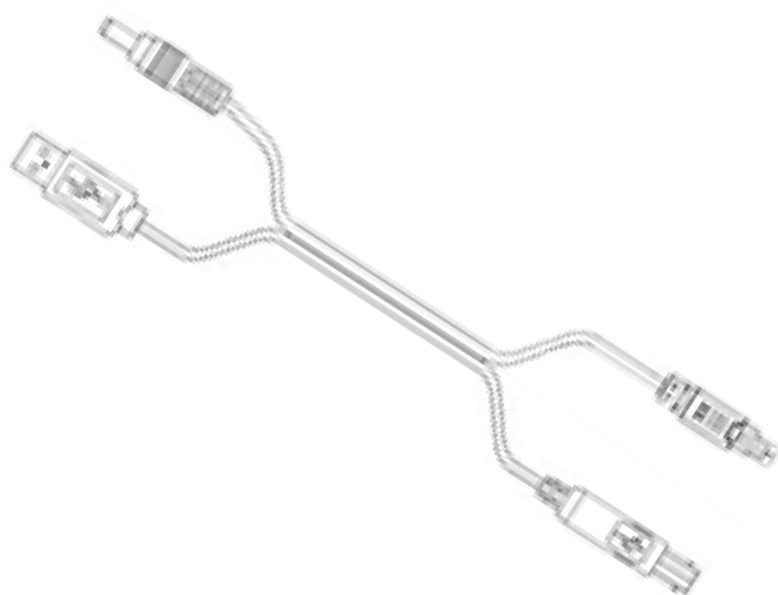


Desktop Mounting Bracket for Presentation Stand

SKU# BRKT-ET4X-DSKPS-01

Desktop Mounting Bracket for Presentation Stand

- Enables secure mounting of Presentation Stand to the desk/table
- Provides additional security against theft of the stand and blocks the bottom USB and power ports



Charge and Communication "Y" cable

SKU# CBL-ET4X-SCHCAB-01

Charge and Communication "Y" cable for Connect Hub and Presentation Stand

- Provides charge and enables communication between Presentation Stand and peripherals connected to the Connect Hub.
- Provides additional security against theft of the stand and blocks the bottom USB and power ports



Presentation Stand Release Tool

SKU# KT-MC18-CKEY-20

Mechanical tool to release the tablet from the Presentation Stand (pack of 20)

- Used as a back up mechanical release and/or in lieu of SW application.

Payment

ET40 and ET45 tablets are retail-ready with Zebra's innovative payment backs providing not only secure and reliable connectivity to the industry leading PEDs but also superior ergonomic experience



Payment Back for Ingenico Link 2500i

SKU# ZBK-ET4X-8PAY2500I1-01

Payment back/sled for Ingenico Link 2500i on 8" ET40 and ET45 tablets

- Replaces existing battery cover and screws down to back of tablet
- Enables the more reliable USB connectivity to the tablet, alongside the BT and WiFi connectivity that comes with the Link2500i
- Payment sled rotates, comes with hand strap and features additional scanning key to provide ergonomic scanning and payment experience in both portrait and landscape orientations.
- Hand strap comes with quick release clip for easy detach and handovers
- Accommodates tablet with or without rugged boot
- Payment back supports charging of the Link2500i; charging behavior configurable through customer's payment application.



Payment Back for Zebra PD20 and Zebra Pay Subscription

SKU# ZBK-ET4X-8PAYPD201-01

SKU#: ZPAY-SP-PROD-01, ZPAY-SP-PROD-02, ZPAY-SP-PROD-03

Payment back/sled for Zebra PD20 on 8" ET40 and ET45 tablets

- Replaces existing battery cover and screws down to back of tablet
- Enables the more reliable USB connectivity to the tablet
- Payment sled rotates, comes with hand strap and features additional scanning key to provide ergonomic scanning and payment experience in both portrait and landscape orientations.
- Hand strap comes with quick release clip for easy detach and handovers
- Accommodates tablet with or without rugged boot
- Enables power management of PD20, optimized to last for a full shift plus.

Zebra Pay™

The enterprise mobile payment solution built for Zebra devices



worldpay from FIS globalpayments fiserv.

Sold separately:

- Zebra Payment Device PD20

Stylus and Tethers



Plastic Passive Stylus Set

SKU# [SG-TC7X-STYLUS-03](#)

Pack of three passive stylus and coiled tethers

- Rigid plastic stylus, conductive Carbon-filled plastic material with 5.0 mm / 0.2" tip and 8.9 cm / 3.5" length is optimized for enterprise durability.
- Stylus has a clip and tether point to reduce loss. Tether to hand strap on Expansion Back, Rugged Boot, or D-clip on Rugged Boot.
- Stylus may be clipped on the rotating hand strap of the Expansion Back for PowerPack.



Fiber Tipped Passive Stylus Set

SKU# [SG-STYLUS-TCX-MTL-03](#)

Pack of three passive stylus with Micro-Knit Hybrid Mesh Fiber Tip

- Heavy duty stylus, made from stainless steel and brass, with 12.7 cm / 5" length and Micro-Knit Hybrid Mesh fiber tip provides silent, smooth gliding use
- Ideal for use in rain or wet conditions
- Stylus has a clip and tether point to reduce loss.
- Stylus may be clipped on the rotating hand strap of the Expansion Back for PowerPack.

Sold separately:

- Coiled Tethers (pack of three) [SKU# KT-TC7X-TETHR1-03](#)



Coiled Tether Set

SKU# [KT-TC7X-TETHR1-03](#)

Pack of three coiled tether for use with plastic or fiber tipped passive stylus

- Tether to hand strap on Expansion Back, Rugged Boot, or D-clip on Rugged Boot

Headsets

Close gaps, Open possibilities with Workforce Connect

Usher in a new era of transformation—one led by your frontline and powered by Zebra Workforce Connect. One where communication and information flows freely and gaps between teams, workflows and data are closed.

With Workforce Connect, hindered workers become effective problem solvers, contributing their best. Critical workflows are streamlined in one place, on one device, equipping workers with the information they need, right at their fingertips.

Only Zebra offers the most complete lineup of software and rugged hardware with the scalability, support and service needed to make the greatest impact where it counts—on the frontline.

[Learn more about you can elevate your frontline workers with Zebra Workforce Connect.](#)



USB-C wired headsets for Workforce Connect

SKU# HDST-USBC-PTT1-01

PTT headset with USB-C connector; one-piece solution.

- For Push-To-Talk (PTT) applications with volume up/volume down/PTT buttons. Compatible with PTT Express/PTT Pro.
- Rotating earpiece allows for right or left ear configuration. Mono headset with microphone.
- Includes clip for attaching PTT button to clothing.

Headsets

Rugged Bluetooth and corded HD voice headsets for the most demanding industrial environments

When it comes to enabling speech-driven applications and voice communications in warehouses, manufacturing plants and outdoor yards, you need a headset that is specially designed for the job. The HS3100 Bluetooth and HS2100 corded headsets are loaded with features that offer everything you need in an industrial headset.

[Learn more about how these headsets deliver a superior voice experience.](#)



HS2100 wired rugged headsets

Corded HD voice headset for use with 8" and 10" ET40 and ET45 tablets

- Dustproof, spray proof, and waterproof.
- Noise cancellation for a superior voice experience in the noisiest environments.
- Swiveling boom mutes microphone allowing user to prevent voice pick applications from recognizing non-voice pick conversations.
- Feather-light for extraordinary comfort.
- Requires two adapter cables (sold separately): HS2100 to 3.5mm adapter [SKU# CBL-HS2100-3MS1-01](#) and USB-C to 3.5mm adapter [SKU# ADP-USBC-35MM1-01](#)

SKU#	Description
HS2100-OTH	HS2100 Rugged Wired Headset Over-The-Head Headband includes HS2100 Boom Module and HSX100 OTH Headband Module
HS2100-BTN-L	HS2100 Rugged Wired Headset (Behind-the-neck headband left)
HS2100-OTH-SB	HS2100 Rugged Wired Headset (Over-the-head headband) includes HS2100 Shortened Boom Module and HSX100 OTH headband module
HS2100-BTN-SB	HS2100 Rugged Wired Headset (Behind-the-neck headband left) includes HS2100 Shortened Boom Module and HSX100 BTN headband module



HS3100 wireless rugged headsets

Wireless Bluetooth voice headset for use with 8" and 10" ET40 and ET45 tablets

- Noise cancellation tuned for Voice-Directed Picking applications.
- Swap batteries on the fly — without losing the Bluetooth connection.
- Split-second tap-to-pair simplicity using NFC. 15 hours of battery power.

SKU#	Description
HS3100-OTH	HS3100 Rugged Wired Headset Over-The-Head Headband includes HS3100 Boom Module and HSX100 OTH Headband Module
HS3100-BTN-L	HS3100 Rugged Wired Headset (Behind-the-neck headband left)
HS3100-OTH-SB	HS3100 Rugged Wired Headset (Over-the-head headband) includes HS3100 Shortened Boom Module and HSX100 OTH headband module
HS3100-BTN-SB	HS3100 Rugged Wired Headset (Behind-the-neck headband left) includes HS3100 Shortened Boom Module and HSX100 BTN headband module
HS3100-SBOOM-01	HS3100 Shortened Boom Module (includes microphone boom, battery and windscreen)

Tablet-Related Spare / Replacements



Spare/Replacement Internal Battery for 8" Tablets

SKU# BTRY-ET4X-8IN1-01

India SKU# BTRY-ET4X-8IN1-IN

Field Replaceable Internal Battery for 8" ET4X tablets. Rechargeable Li-Ion 3.87V 6100mAh 23.61Wh.

- PowerPrecision Battery. Obtain advanced battery state of health information including charge level and battery age based on usage patterns.
- Internal Battery charges only when inside the tablet.



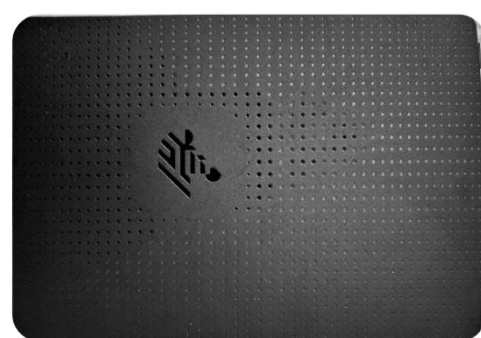
Spare/Replacement Internal Battery for 10" Tablets

SKU# BTRY-ET4X-10IN1-01

India SKU# BTRY-ET4X-10IN1-IN

Field Replaceable Internal Battery for 10" ET4X tablets. Rechargeable Li-Ion 3.87V 7600mAh 29.41Wh.

- PowerPrecision Battery. Obtain advanced battery state of health information including charge level and battery age based on usage patterns.
- Internal Battery charges only when inside the tablet.



Spare/Replacement Battery Cover for ET4X Tablets

8" SKU# MISC-ET4X-8BATCVR-01

10" SKU# MISC-ET4X-10BATCVR-01



Spare/Replacement Cover for Battery Housing for 8" or 10" ET40 and ET45

- Ideal when the original battery cover is lost or damaged.

Accessories-Related Spare / Replacements



Spare/Replacement Rotating Hand Strap

SKU# SG-ET5X-RHTP1-01

Spare/Replacement Rotating Hand Strap used on expansion back

- Adjustable and 360-degree rotatable handstrap that mounts on the back of the expansion back for ET4X SKU# ZBK-ET4X-8BTRYBK1-01 or SKU# ZBK-ET4X-10BTRYBK1-01
- Provides secure ergonomic option for holding the device

Third Party Accessories for ET40 and ET45 Tablets

Note: Products sold that do not bear the Zebra brand name are serviced and supported exclusively by their manufacturers in accordance with terms and conditions packaged with the products. Zebra's Limited Warranty does not apply to products that are not Zebra branded, even if packaged or sold with Zebra products. Please contact the manufacturer directly for technical support and customer service.

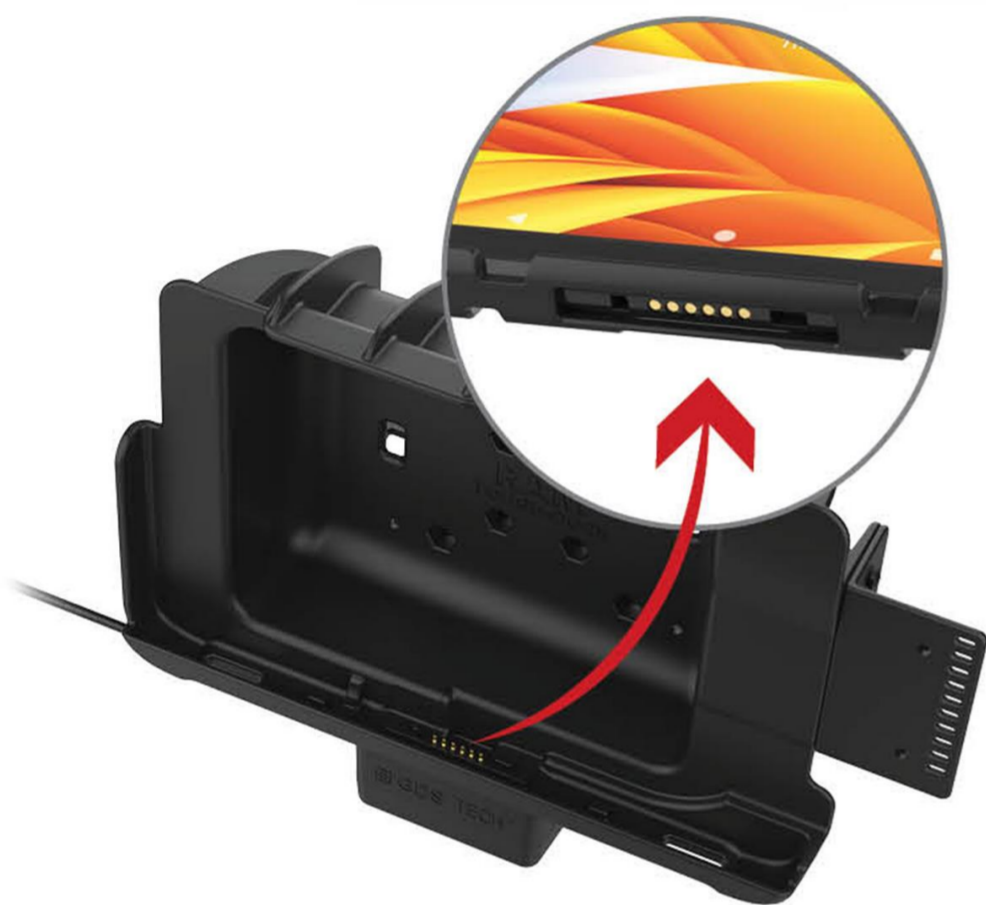


RAM® Form-Fit Docks

for Zebra ET40/ET45 Rugged Tablet

RAM® Mounts rugged docking solutions enable Zebra's ET40 & ET45 rugged tablets for field use. These docks come with many different options to keep your device connected to power and have the ability to add peripherals to your solution such as scanners, printers, speakers and more. Pair with any modular RAM® Mounts components to create a custom mounting solution for your forklift, truck, workstation and more!

Product Highlights



Pogo Pin Charging

Increase charging efficiency utilizing the device's pogo pad docking contacts.



Accessorize

Ergonomic accessories designed for mobility.



Mount It

With RAM® Compatibility™ customize your mount to your environment, or pair with these ready-made forklift kits.



3PTY-RAM-GDS-CHARGE-V9U
GDS® 20-60VDC Input (12VDC Output)
Hardwire Charger w/ DC Cable



3PTY-RAM-GDS-CHARGE-V10U
GDS® 10-32VDC Input (12VDC Output)
Hardwire Charger w/ DC Cable



3PTY-RAM-GDS-ROTO2-ZE20U
GDS® Roto-Mag™ w/ Battery Cover
for Zebra ET40/ET45 8"



3PTY-RAM-GDS-ROTO2-ZE21U
GDS® Roto-Mag™ w/ Battery Cover
for Zebra ET40/ET45 10"



3PTY-RAM-101U-B-247
RAM® Square Post Mount C-Size
with Short Arm



3PTY-RAM-101U-247
RAM® Square Post Mount C-Size
with Standard Arm

Zebra ET40/ET45 8"(ZE20) and 10" (ZE21)

Patented and Pats. Pend.

PART NUMBER	KEY LOCK	SINGLE USB PERIPHERAL	DUAL USB PERIPHERAL	TEMP-MODULE READY	RUGGED TOP LATCH
3PTY-RAM-HOL-ZE20PU				•	
3PTY-RAM-HOL-ZE20PDU		•		•	
3PTY-RAM-HOL-ZE20PD2U			•	•	
3PTY-RAM-HOL-ZE20PKLU	•			•	•
3PTY-RAM-HOL-ZE20PDKLU	•	•		•	•
3PTY-RAM-HOL-ZE20PD2KLU	•		•	•	•
3PTY-RAM-HOL-ZE20PNLLU				•	•
3PTY-RAM-HOL-ZE21PU				•	
3PTY-RAM-HOL-ZE21PDU		•		•	
3PTY-RAM-HOL-ZE21PD2U			•	•	
3PTY-RAM-HOL-ZE21PKLU	•			•	•
3PTY-RAM-HOL-ZE21PDKLU	•	•		•	•
3PTY-RAM-HOL-ZE21PD2KLU	•		•	•	•
3PTY-RAM-HOL-ZE21PNLLU				•	•



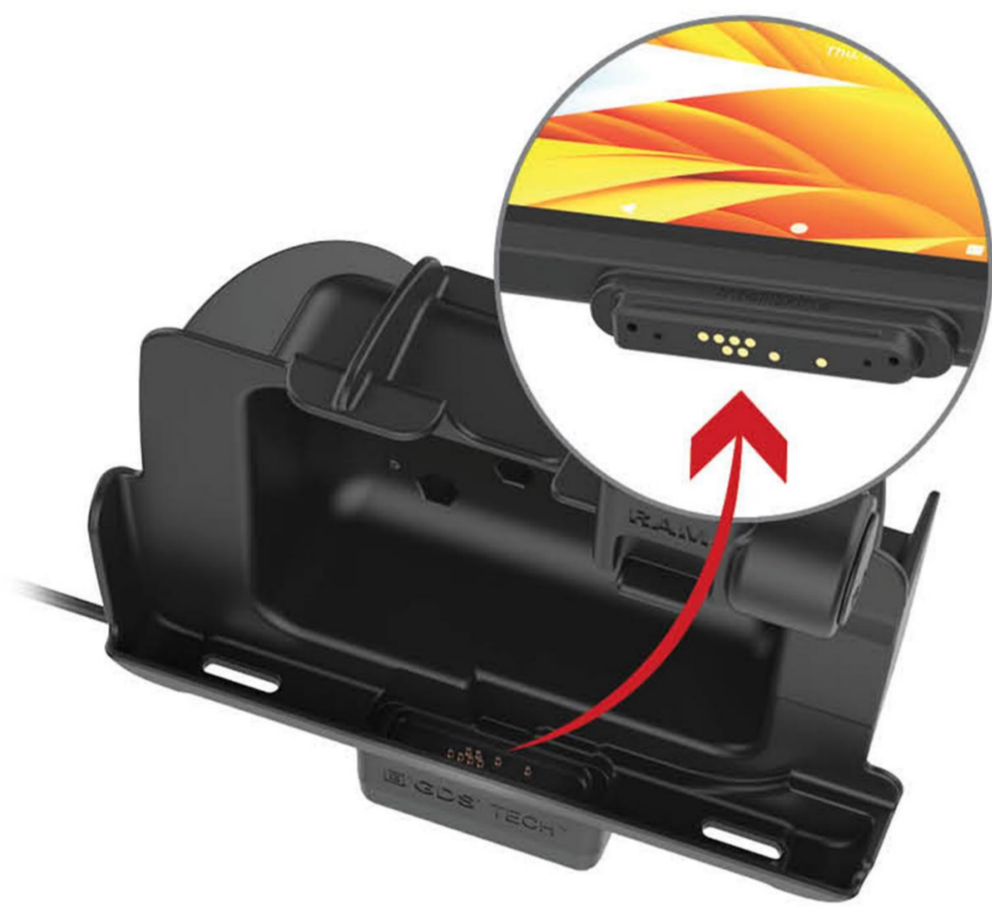
3PTY-RAM-GDS-SKIN-ZE20C-NG
IntelliSkin® for Zebra ET40/ET45 8"



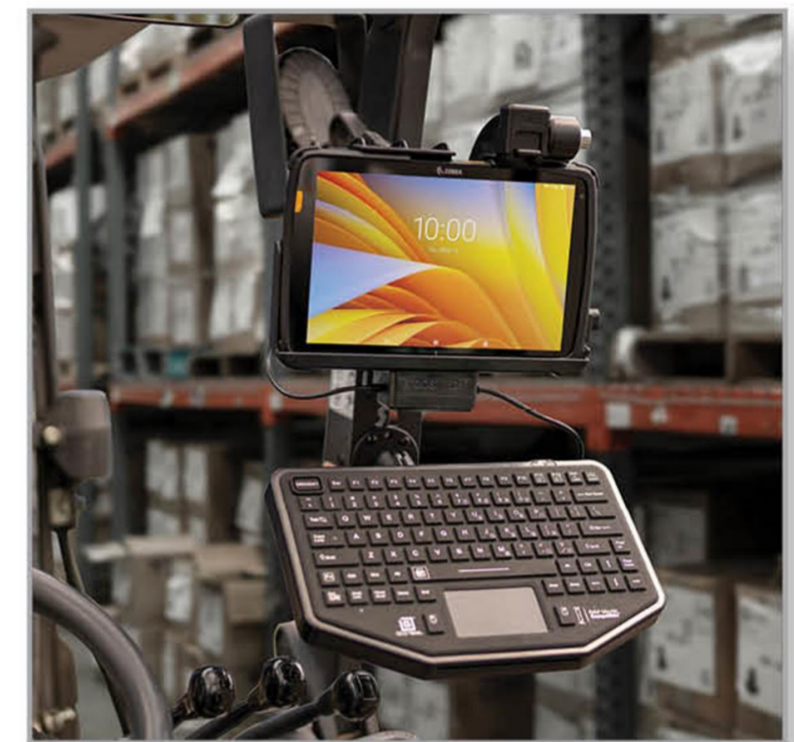
3PTY-RAM-GDS-SKIN-ZE21C-NG
IntelliSkin® for Zebra ET40/ET45 10"

IntelliSkin® with GDS® Tech™ for Zebra ET40/ET45 Rugged Tablet

Ruggedizing everyday tasks like inventory management, proof of pickup and delivery, or mobile point of sale just became easier. With GDS® Tech™ docking solutions and IntelliSkin® case system, Zebra's new ET40 & ET45 rugged tablets can stay connected and protected. These docks and skins come with pogo pin technology to keep your device connected to power and have the ability to add peripherals while protecting the devices' ports. This standardized connectivity unlocks the GDS® Ecosystem™ of products for a seamless workflow.



Product Highlights



Protective Case + Pogo Pin Charging

Increase charging efficiency and durability with the IntelliSkin® and GDS® system.



3PTY-RAM-GDS-CHARGEV3CH2U
GDS® 30-64V Power Delivery
Hardwire Charger w/ USB-C Cable



3PTY-RAM-GDS-CHARGE-V3C2U
GDS® 10-30V Power Delivery
Hardwire Charger w/ USB-C Cable



3PTY-RAM-GDS-ROTO2-ZE20U
GDS® Roto-Mag™ w/ Battery Cover
for Zebra ET40/ET45 8"



3PTY-RAM-GDS-ROTO2-ZE21U
GDS® Roto-Mag™ w/ Battery Cover
for Zebra ET40/ET45 10"



3PTY-RAM-101U-B-247
RAM® Square Post Mount C-Size
with Short Arm



3PTY-RAM-101U-247
RAM® Square Post Mount C-Size
with Standard Arm

Accessorize

Ergonomic accessories designed for mobility.

Mount It

With RAM® Compatibility™ customize your mount to your environment, or pair with these ready-made forklift kits.

GDS® Zebra Docks ET40/ET45 8"(ZE20) and 10" (ZE21)

Patented and Pats. Pend.

PART NUMBER	KEY LOCK	SINGLE USB PERIPHERAL	DUAL USB PERIPHERAL	TEMP-MODULE READY	RUGGED TOP LATCH
3PTY-RAM-GDS-DOCK-ZE20PU				•	
3PTY-RAM-GDS-DOCK-ZE20PDU		•		•	
3PTY-RAM-GDS-DOCKZE20PD2U			•	•	
3PTY-RAM-GDS-DOCKL-ZE20PU	•			•	•
3PTY-RAM-GDS-DOCKLZE20PDU	•	•		•	•
3PTY-RAM-GDSDOCKLZE20PD2U	•		•	•	•
3PTY-RAMGDSDOCKNLLZE20PU				•	•
3PTY-RAM-GDS-DOCK-ZE21PU				•	
3PTY-RAM-GDS-DOCK-ZE21PDU		•		•	
3PTY-RAM-GDSDOCKZE21PD2U			•	•	
3PTY-RAM-GDS-DOCKL-ZE21PU	•			•	•
3PTY-RAM-GDS-DOCKLZE21PDU	•	•		•	•
3PTY-RAM-GDSDOCKLZE21PD2U	•		•	•	•
3PTY-RAMGDSDOCKNLLZE21PU				•	•

RUGGED DOCKING STATION FOR ZEBRA ET4X 8" & 10" TABLETS

DS-ZEB-300 SERIES

ET4X TABLET SOLUTION:

- Height-adjustable design compatible with both 8" & 10" devices with rugged boot
 - LED power indicator
 - One-handed docking & undocking
 - Spring-loaded, floating connector head
- Provides access to critical buttons, ports & barcode scanner when docked
 - Compact & lightweight design
- Compatible with attachable hand & shoulder straps
 - Integrated VESA 75 mounting pattern



PART NUMBER	ETHERNET	USB 2.0	POWERED SERIAL	POWER INPUT	INT POWER
3PTY-DS-ZEB-301		1 REAR		9-36V	NON-ISO
3PTY-DS-ZEB-302-ISO		1 REAR		18-75V	ISO
3PTY-DS-ZEB-303					
3PTY-DS-ZEB-304	1	2 REAR	1 @ 5V	9-36V	NON-ISO
3PTY-DS-ZEB-305-ISO	1	2 REAR	1 @ 5V	18-75V	ISO



UNIVERSAL RUGGED CRADLE FOR 7"- 9" DEVICES UT-301

- Patented, non-electronic computing solution
 - Easy to use three point adjustment
 - Extra durable leg retainers
 - Low profile design maximizes space
- Rounded corners and edges for safety and airbag deployment
 - Simple, safe, and secure connectivity
 - Accommodates recommended screen covers
 - Lock and key supplied for theft deterrence
- Fits: Zebra 8" ET4X with or without rugged boot



MOUNTING SOLUTIONS FOR ZEBRA ET4X 8" & 10" TABLETS

***8" DEVICES REQUIRE EITHER HAVIS DS-ZEB-300 SERIES DOCK/CRADLE OR UT-301**

***10" DEVICES REQUIRE EITHER HAVIS DS-ZEB-300 SERIES DOCK/CRADLE OR VESA ADAPTER EXPANSION BACK ZBK-ET4X-10VESA-01**



RUGGED WAREHOUSE LOGISTICS MOUNT WITH KNOBS MD-501-K

- Durable, heavy duty mount ideal for forklift applications
- Multiple mounting configurations, providing incredible flexibility and versatility
- Clamp capable of securely mounting to any square, rectangular or round pole from 1.00" to 4.00"
- TPU over-molded steel clamps provide strength and vibration dampening



SINGLE MONITOR MOUNT & 18" POLE *MM-10-850

- Offers versatile monitor positioning for Retail, Hospitality, Healthcare, Workplace and Warehouse markets that require durable and ergonomic device mounting
- 1.75" diameter pole is large enough for most cables and connectors to pass through
- Includes edge liner to protect cables as they enter the pole



HEAVY DUTY DISPLAY MOUNT WITH FREE STANDING BASE *DM-10-112

- An ideal retail, hospitality or healthcare display mount for a single VESA 75 or VESA 100 compliant display weighing up to 18 lbs (8.2 kg)
- Allows the display to tilt 90° and the stand to rotate 300°
- Easy adjustable tilt and rotation tensioning to suit user preferences
- Extra durable leg retainers
- Enhances user comfort and minimizes screen glare
- Also available with dual display



COUNTERTOP SELF-CHECKOUT WITH FIXED BASE *SC-1000-CF

- Device mounting kiosk for retail, hospitality, healthcare & anywhere self-serve POS or check-in are required
- Adjustable display height for ideal positioning
- Monitor tilt from 0 to 90 degrees for superior ergonomics and easy printer paper changeout
- Display flip-over option for easy screen sharing



OTHER FEATURES

- Zebra's rugged boot is required in order to work with docking station
- Dual powered USB ports; 1.5A for each port for connecting peripheral devices
- 10-40V power input range to support a wide range of mobile applications
- PATENTED SLAM LATCH for simple, one-handed docking and release operation
- POGO pin connector and internal power supply provides power to charge the Zebra tablet while docked
- Bare Wire, 2.5mm DC Power Jack, and Lite Port Replication options

PORT REPLICATION

- (2) USB 2.0 - each with 1.5A power
- Lite full board docking station:
 - (2) USB 2.0
 - (1) Serial Port
 - (1) Ethernet Port

ACCESSORIES

- Rugged Lite Keyboard (7160-1449-00)



Manage your fleets with precision.

Combine the Zebra ET4X enterprise tablet with Gamber-Johnson's new vehicle docking station, with dual powered USBs for added productivity. Each powered USB port provides 1.5A, strong enough to power a long-range scanner and a printer or other peripheral. This dock will keep the ET4X tablet charged all day long and provides the port replication to connect the right peripheral devices to get the job done.

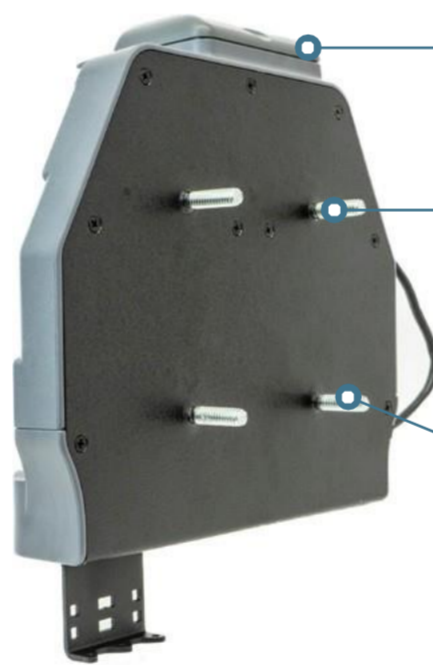
WEIGHT	HEIGHT	WIDTH	DEPTH
1.3 lbs / 0.58 kg	10.1 in / 26.65 cm	7.75 in / 19.69 cm	2.8 in / 7.11 cm



Barrel Key lock for theft deterrence

All features of tablet are functional while the tablet is safely docked

Designed for the Zebra ET4X 8" and 10" rugged tablet



Composite design for reduced overall weight

VESA 75mm mounting pattern; compatible with Zirkona mounting products

Can be mounted on a flat vertical surface

PRODUCT SELECTION

ITEM NUMBER	DESCRIPTION
3PTY-GJ-7160-1801-00	Zebra ET4X 8" SLIM Dual USB Docking Station (Bare Wire)
3PTY-GJ-7160-1801-04	Zebra ET4X 8" SLIM Dual USB Docking Station (2.5mm DC Power Jack)
3PTY-GJ-7160-1801-20	Zebra ET4X 8" SLIM Docking Station (Lite Full Board Replication)
3PTY-GJ-7160-1807-00	Zebra ET4X 10" SLIM Dual USB Docking Station (Bare Wire)
3PTY-GJ-7160-1807-04	Zebra ET4X 10" SLIM Dual USB Docking Station (2.5mm DC Power Jack)
3PTY-GJ-7160-1807-20	Zebra ET4X 10" SLIM Docking Station (Lite Full Board Replication)
3PTY-GJ-7160-1801-02	Zebra ET4X 8" SLIM Dual USB Docking Station (Cigarette Adapter)
3PTY-GJ-7160-1801-90	Zebra ET4X 8" SLIM Cradle (no electronics)
3PTY-GJ-7160-1807-02	Zebra ET4X 10" SLIM Dual USB Docking Station (Cigarette Adapter)
3PTY-GJ-7160-1807-90	Zebra ET4X 10" SLIM Cradle (no electronics)

ZEBRA ET4X 10" 2-IN-1 ATTACHABLE KEYBOARD



Rugged products designed for the mobile worker.

Gamber-Johnson's attachable keyboard for the Zebra ET4X Series enterprise rugged tablet is the perfect solution for the mobile worker. Install the tablet in seconds to add the functionality of a keyboard with a smooth responsive feel with features you are familiar with. The USB port can be used to attach a flash drive or another peripheral and the keyboard's hard carry handle makes it easy to carry your tablet/keyboard combo anywhere. The compact design of the ET4X Series tablet and attachable keyboard make it a perfect productivity tool for the mobile worker looking for a rugged portable solution they can take anywhere.

WEIGHT	HEIGHT	WIDTH	DEPTH
1.31 lbs / 0.59 kg	2.03 in / 5.15 cm	10.8 in / 27.4 cm	9.71 in / 24.6 cm

OTHER FEATURES

- 78-key keyboard with 12 function keys for custom operation
- Easy to install - POGO docking connector links the tablet to the keyboard
- Easily connect the tablet to the keyboard; slip the bottom of the tablet into the case and snap the top of the case over the tablet
- Charge the tablet directly from the tablet's USB-C port
- Designed for the Zebra ET4X 10" Series tablet without a rugged frame
- Friction hinge and screen footrest with rubber feet help position the tablet at a comfortable viewing angle
- Hard carry handle with two attachment rings for shoulder strap enhance portability
- Low-profile ergonomic design for ease of use in a mobile environment



All computer features including camera, microphone, speakers, USB-C port, barcode scanner and all control buttons are accessible when the tablet is docked onto the keyboard



Designed for the Zebra ET4X 10" Series tablet without rugged frame Integrated center touchpad with right and left mouse buttons safely docked

USB 2.0 port (500mA) to attach a mouse, another peripheral, or flash drive

Silicone rubber keys with white lettering and a rugged polycarbonate case

PORT REPLICATION

- USB 2.0 port (500mA)

ACCESSORIES

- Shoulder Strap (7400-020-01)

SPECIFICATION

- Temperature range: OPERATING: -20°C to 60°C STORAGE: -40°C to 85°C
- Designed to IP54 ingress specifications
- Two million actuation per key
- RoHS, FCC Class B, CE, REACH, and C-Tick Certifications

PRODUCT SELECTION

ITEM NUMBER	DESCRIPTION
3PTY-GJ-7160-1789-00	KEYBOARD, 2-IN-1 ATTACH, ZEBRA 4TX, ENGLISH (USA)
3PTY-GJ-7160-1789-01	KEYBOARD, 2-IN-1 ATTACH, ZEBRA 4TX, ENGLISH (UK)
3PTY-GJ-7160-1789-03	KEYBOARD, 2-IN-1 ATTACH, ZEBRA 4TX, FRENCH
3PTY-GJ-7160-1789-04	KEYBOARD, 2-IN-1 ATTACH, ZEBRA 4TX, SPANISH

Expansion Back for Zebra ET4x

Slim and lightweight, this new hand strap provides a reliable method for using the ET4x in diverse use models. This new design replaces the existing battery cover while providing a convenient, comfortable manner to hold the ET4x device. Entering data or device viewing is enhanced via ergonomic benefits. Including reduced fatigue in the forearm, wrist, and hand.

ET4X 10"

Part #: FM-XBKHS-ET4X10
 List Price: \$59.00

ET4X 8"

Part #: FM-XBKHS-ET4X8
 List Price: \$59.00

Features:

- Adjustable hand strap
 - accommodates most users
 - provides increased ergonomics
 - minimizes loss and drops
- Hand strap also available in DuraStrap material
 - 100% impermeable and sanitizable material
 - ideal for healthcare and other bio-sensitive environments
- Replaces existing battery cover



Scan Here to
 Learn More



Rugged Case with Adjustable Elastic Hand Strap for Zebra ET4x

Lightweight and durable, this polycarbonate shell and elastic strap provides a convenient, comfortable manner to hold or carry the ET4x device. Entering data or device viewing is enhanced with reduced fatigue in the forearm, wrist, and hand. The 4 corner anchor points facilitate the use of additional accessories, such as a shoulder strap or user harness for hands-free device wear-ability.



Scan Here to
Learn More

ET4x 10"
Part #: FM-SNP-ET4X10-HSTP
List Price: \$59.99

ET4x 8"
Part #: FM-SNP-ET4X8-HSTP
List Price: \$54.99



Features:

- Low-profile adjustable hand strap
 - accommodates most users
- Hand strap also available in DuraStrap material
 - 100% impermeable and sanitizable
 - ideal for healthcare and other bio-sensitive environments
- Closed back for added protection
- Compatible with vehicle docs/cradles
- Clear polycarbonate provides visibility to asset tags

Compatible Accessories:

- Mobility Bundle - FM-MBBDL-1
- User Harness Kit - FM-USHRN-KIT



Open Back Rugged Boot for Zebra ET4x

Lightweight and durable, this polycarbonate shell provides facilitation for additional ergonomic accessories along with added device protection. The 4 corner anchor points facilitate the use of a shoulder strap, user harness, Elastic X Strap, and more. The exposed battery cover also allows for easy battery access and the use of our Expansion Back accessories.



Scan Here to
Learn More

ET4x 10"

Part #: FM-SNP-ET4X10-OPBK

List Price: \$49.99

ET4x 8"

Part #: FM-SNP-ET4X8-OPBK

List Price: \$44.99

Features:

- Easy access to device battery
- Integrated 4 corner anchor points
 - improved facilitation for additional Zebra ET4x accessories
- Compatible with vehicle docks/cradles
- Clear polycarbonate provides visibility to asset tags



Compatible Accessories:

- Mobility Bundle - FM-MBBDL-1
- User Harness Kit - FM-USHRN-KIT
- Elastic X Strap - FM-XHSTP-M
- DuraStrap X - FM-DURA-XM



Zebra ET40/45 Series Solution Suite

Elastic Hand Strap - ET40/45 8"

This slim elastic hand strap with stylus loop offers a simple, economical, yet effective benefit. Enjoy improved ergonomics and productivity with your ET40/45 device securely in hand.

InfoCase Part#: TBCS1HDSTP-P
 Zebra Part#: TBD
 List Price: \$25.00
 Requires: Open Back Rugged Boot



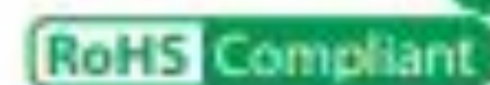

ModuFlex Pro ET40/45 10"

Improves productivity and efficiency by reducing hand, wrist and arm fatigue. The rotating hand strap can rotate 360° for optimal convenience while the easel stand gives the user an adaptable workstation. Also supports our Fieldmate 4-point User Harness.

Vinyl
 InfoCase Part#: FM-MFXPRO-ET4X10
 Zebra Part#: TBD

Ballistic Nylon
 InfoCase Part#: FM-MFXPRO-ET4X10-B
 Zebra Part#: TBD

List Price: \$99.00
 Requires: Open Back Rugged Boot

User Harness Kit

Complete with four retention straps that connect directly to the rugged boot. This adjustable, four-point harness allows your device to be carried comfortably with easy access to all features, ports and cameras.

InfoCase Part#: FM-USHRN-KIT
 Zebra Part#: TBD
 List Price: \$34.99
 Requires: Open Back Rugged Boot or Rugged Case





Scan Here to
 Learn More

Zebra ET40/45 Series Solution Suite

Elastic X Strap - ET40/45 10"

Improves productivity and efficiency by reducing hand, wrist, and arm fatigue. The low-profile design is ideal to use with vehicle cradles and mounts.

InfoCase Part#: FM-UX10-XSTP-1
 Zebra Part#: TBD
 List Price: \$49.00
 Requires: Open Back Rugged Boot



 RoHS Compliant

Mobility Bundle - ET40/45 10"

Designed for enhanced mobility and hands-free use with your tablet, when it does not otherwise have a handle. It comes with a removable handle and ergonomic shoulder strap.

ET4x 10"
 InfoCase Part#: FM-MBBDL-1
 Zebra Part#: TBD
 List Price: \$39.00

ET4x 8"
 InfoCase Part#: FM-TABMBBDL-1
 Zebra Part#: TBD
 List Price: \$39.99

Requires: Open Back Rugged Boot or Rugged Case



 RoHS Compliant

DuraStrap X - ET40/45 10"

The DuraStrap X for Zebra is impermeable, sanitizable and ideal for bio-sensitive environments. Improves productivity and efficiency by reducing hand, wrist and arm fatigue. The low profile design is ideal to use with vehicle cradles and mounts.

InfoCase Part#: FM-DURA-XM
 Zebra Part#: TBD
 List Price: \$59.00
 Requires: Open Back Rugged Boot



 RoHS Compliant


Scan Here to
 Learn More

Zebra ET40/45 Series Solution Suite

Tempered Glass Screen Protection

Custom fit, laser cut tempered glass provides additional defense against scratching and impact.

- Scratch resistant 9H hardness tempered glass.
- Multi-layer bonding process provides high impact resistance.
- High light transmittance delivers exception optical clarity.
- Oleophobic coating is finger print resistant.
- High optical clarity and anti-smudge coating delivers a clear viewing experience.

ET4X 10"

InfoCase Part #: INF-SG-ZEB-ET4X10

Zebra Part #: TBD

List Price: \$29.99

ET4X 8"

InfoCase Part #: INF-SG-ZEB-ET4X8

Zebra Part #: TBD

List Price: \$24.99



RoHS Compliant

Privacy Screen Protection

- Same scratch resistant 9H hardness as tempered glass screen protector
- Limited viewing angle of +/- 30° limits the field of vision
- Low reflective coating reduces glare
- Touch and stylus compatible
- Bubble-free, easy installation

ET4X 10"

InfoCase Part #: INF-PF-ZEB-ET4X10

Zebra Part #: TBD

List Price: \$49.99

ET4X 8"

InfoCase Part #: INF-PF-ZEB-ET4X8

Zebra Part #: TBD

List Price: \$44.99



RoHS Compliant



Scan Here to
Learn More



ZEBRA

ET40/ET45 CRADLES

FORKLIFT

Our rugged cradles keep your devices safely mounted to ensure your warehouse runs smoothly and reduces costs.

TRANSPORTATION

Keep your device easily accessible, charged and secure with convenient one-handed docking and removal.

RETAIL

Whether you are line busting, creating a POS or engaging in inventory control, keep your ET4x tablet secure and ready to use.

- Custom-fit design for tablets with or without rugged boot
- Easy one-handed docking and removal of the device
- Heavy-duty materials protect your tablet and increase longevity
- Fast lead times of 2-4 weeks for large deployments
- Multiple mounting options to fit the exact use case



ZEBRA

ET40/ET45 CRADLES

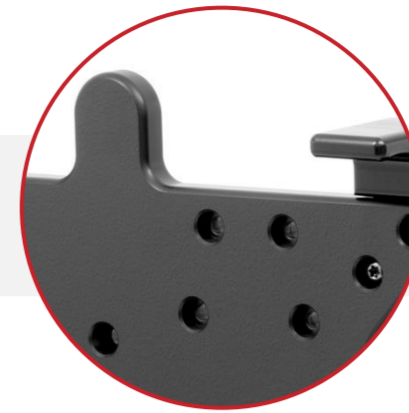
LOCK OPTIONS:



Key Lock



Spring Lock



No Lock

Made of high-grade
ABS/Acetal plastic

Custom-fit design
provides easy access
to all buttons
and ports

AMPS or VESA
75 mounting

Pogo pin charging
extends device life

USB-A host port with
cable clamp

EXPANSION BACK OR FLAT BACK OPTIONS



NON-CHARGING AND CHARGING OPTIONS:



CLA



Hard-Wired



AC Wall Adaptor

MOUNTING OPTIONS:



Pedestal Mounts



Custom Vehicle Mounts



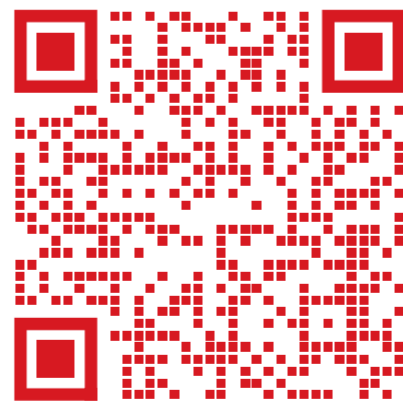
Forklift Mounts



Desktop Mounts

PART #	PRODUCT	DESCRIPTION
3PTY-PCLIP-216376	Zebra ET40/ET45 8" (Bare Tablet)	Charging Cradle for Zebra ET40/ET45 (8" Bare Tablet) – Power Supplies (216355, 216358, 941025) and Locks (216312, 216313) sold separately
3PTY-PCLIP-216377	Zebra ET40/ET45 8" (Bare Tablet)	Charging Cradle with USB-A Host for Zebra ET40/ET45 (8" Bare Tablet) - Power Supplies (216355, 216358, 941025) and Locks (216312, 216313) sold separately
3PTY-PCLIP-216378	Zebra ET40/ET45 8" (with Rugged Boot)	Charging Cradle for Zebra ET40/ET45 (8" with Rugged Boot) - Power Supplies (216355, 216358, 941025) and Locks (216316, 216317) sold separately
3PTY-PCLIP-216379	Zebra ET40/ET45 8" (with Rugged Boot)	Charging Cradle with USB-A Host for Zebra ET40/ET45 (8" with Rugged Boot) - Power Supplies (216355, 216358, 941025) and Locks (216316, 216317) sold separately
3PTY-PCLIP-216380	Zebra ET40/ET45 8" (with Rugged Boot) Supports Expansion Back	Charging Cradle for Zebra ET40/ET45 (8" with Rugged Boot and Supports Expansion Back) - Power Supplies (216355, 216358, 941025) and Locks (216340, 216341) sold separately
3PTY-PCLIP-216381	Zebra ET40/ET45 8" (with Rugged Boot) Supports Expansion Back	Charging Cradle with USB-A Host for Zebra ET40/ET45 (8" with Rugged Boot and Supports Expansion Back) – Power Supplies (216355, 216358, 941025) and Locks (216340, 216341) sold separately
3PTY-PCLIP-216382	Zebra ET40/ET45 10" (Bare Tablet)	Charging Cradle for Zebra ET40/ET45 (10" Bare Tablet) – Power Supplies (216355, 216358, 941025) and Locks (216312, 216313) sold separately
3PTY-PCLIP-216383	Zebra ET40/ET45 10" (Bare Tablet)	Charging Cradle with USB-A Host for Zebra ET40/ET45 (10" Bare Tablet) - Power Supplies (216355, 216358, 941025) and Locks (216312, 216313) sold separately
3PTY-PCLIP-216384	Zebra ET40/ET45 10" (with Rugged Boot)	Charging Cradle for Zebra ET40/ET45 (10" with Rugged Boot) - Power Supplies (216355, 216358, 941025) and Locks (216316, 216317) sold separately
3PTY-PCLIP-216385	Zebra ET40/ET45 10" (with Rugged Boot)	Charging Cradle with USB-A Host for Zebra ET40/ET45 (10" with Rugged Boot) - Power Supplies (216355, 216358, 941025) and Locks (216316, 216317) sold separately
3PTY-PCLIP-216386	Zebra ET40/ET45 10" (with Rugged Boot) Supports Expansion Back	Charging Cradle for Zebra ET40/ET45 (10" with Rugged Boot and Supports Expansion Back) - Power Supplies (216355, 216358, 941025) and Locks (216340, 216341) sold separately

PART #	PRODUCT	DESCRIPTION
3PTY-PCLIP-216387	Zebra ET40/ET45 10" (with Rugged Boot) Supports Expansion Back	Charging Cradle with USB-A Host for Zebra ET40/ET45 (10" with Rugged Boot and Supports Expansion Back) – Power Supplies (216355, 216358, 941025) and Locks (216340, 216341) sold separately
3PTY-PCLIP-216331	Zebra ET40/ET45 8" and 10" With or Without Rugged Boot	Single Slot Desktop Charging Dock for Zebra ET40/ET45 8" and 10" With or Without Rugged Boot
3PTY-PCLIP-216355	Zebra ET40/ET45 8" and 10" With or Without Rugged Boot	Hard-Wired Power Supply 12-48V Input 12V 3A Output - Includes Cables and In-line Fuse
3PTY-PCLIP-216358	Zebra ET40/ET45 8" and 10" With or Without Rugged Boot	Cigarette Lighter Adapter (Cig Plug) Power Supply 12-24V Input 12V 3A Output
3PTY-PCLIP-941025	Zebra ET40/ET45 8" and 10" With or Without Rugged Boot	AC Wall Power Supply, 110-240V 1.3A AC Input ,12V 3A DC Output - 6-Pin Molex, Country Interchangeable Wall Plugs, 5 Foot Cable
3PTY-PCLIP-216312	Zebra ET40/ET45 8" and 10" (Bare Tablet)	Key Lock Module for Zebra ET40/ET45 8" and 10" (Bare Tablet)
3PTY-PCLIP-216313	Zebra ET40/ET45 8" and 10" (Bare Tablet)	Spring Lock Module for Zebra ET40/ET45 8" and 10" (Bare Tablet)
3PTY-PCLIP-216316	Zebra ET40/ET45 8" and 10" With or Without Rugged Boot	Key Lock Module for Zebra ET40/ET45 8" and 10" (with Rugged Boot)
3PTY-PCLIP-216317	Zebra ET40/ET45 8" and 10" With or Without Rugged Boot	Spring Lock Module for Zebra ET40/ET45 8" and 10" (with Rugged Boot)
3PTY-PCLIP-216340	Zebra ET40/ET45 8" and 10" With or Without Rugged Boot	Key Lock Module for Zebra ET40/ET45 8" and 10" (with Rugged Boot) Supports Expansion Back
3PTY-PCLIP-216341	Zebra ET40/ET45 8" and 10" With or Without Rugged Boot	Spring Lock Module for Zebra ET40/ET45 8" and 10" (with Rugged Boot) Supports Expansion Back



EXPLORE OUR PRODUCTS



Mobile Docking Solutions for Zebra ET4X 8" & 10"

RapidDoc Kiosk Pro



- Fixed and Mobile docking solution for 8" & 10" Zebra ET4x series tablets.
- Zebra ET4x tablet is secured and powered when docked.
- Ability to undock tablet using RFID or Android-based Pin Code application.
- USB-C PD interface supported, with negotiated fast charge and USB 2.0 data rates.
- Includes 6x USB 2.0 ports plus Ethernet.
- Integrated payment device support for Ingenico or Verifone EMVs.

Part Number	Description
185-01338	RapidDoc Kiosk for Zebra ET4X
185-01339	RapidDoc Kiosk for Zebra ET4X (Payment Support)
185-01073	Ingenico Link 2500i EMV Cradle
185-01307	Verifone E285 EMV Cradle
185-00346	Verifone E355 EMV Cradle
185-00700	Ingenico iSMP4 Cradle

RapidDoc PoE+ Wall Mount



- Fixed and Mobile docking solution for the 8" & 10" Zebra ET4x.
- Zebra ET4x tablet is secured and powered when docked.
- Undock tablet either using RFID or Pin Code.
- Install directly onto wall or an existing VESA Mount.
- Wired data communication via Ethernet.
- Powered via PoE+

Part Number	Description
185-01340	RapidDoc Wall Mount for Zebra ET4X
185-01307	RapidDoc Wall Mount for Zebra ET4X (Non-RFID)

Accessories



One-handed Dock and Undock with Magnets and Latches



USB-C based Power and Data Interface supporting Negotiated Power Delivery



Optional EMV Payment Cradles for Ingenico and Verifone Payment Devices

Click or Scan the code



to shop & learn more!



Fixed Docking Solutions for Zebra ET4X 8" & 10"

Pipeline Table & Floor Mount



- Flexible fixed mount solution with tilt and swivel capability for a heightened customer experience.
- Integrated tablet charging and USB connectivity.
- Cable management for clean installation, no exposed cables.
- Various mounting options available – thru-hole counter mount, weighted baseplate or suction cups.

Part Number	Description
185-01342	8" Pipeline Kiosk for Zebra ET4X (Table)
185-01339	42" Pipeline Kiosk for Zebra ET4X (Floor)
185-00469	Optional Base Plate for 8" Pipeline
185-00471	Optional Base Plate for 42" Pipeline

Pipeline Tabletop Kiosk



- Designed for tabletop installations where user-provided hub or dongles are required
- Spill proof cover protects peripheral connections in high moisture environments, kitchens, coffee shops and restaurants.
- Flexible fixed mount solution with tilt and swivel capability for a heightened customer experience.
- Integrated tablet charging and USB connectivity.
- Cable management for clean installation, no exposed cables.

Part Number	Description
185-01344	Pipeline Tabletop Kiosk for Zebra ET4X

Gravity VESA Tabletop Stand



- 75mm & 100mm VESA Mount.
- Tablet can flip front to back to supporting customer interaction.
- Cables route through the table stand for an elegant install.

Part Number	Description
185-01345	Gravity VESA Tabletop Stand for Zebra ET4X

Radius Floor Stand



- Robust and secure floor standing mount – 38.85" tall.
- Great for self-service kiosk applications.
- Easy installation and built-in cable routing.
- Internal space for customer-provided USB hubs, dongles or power strips.
- Security screws provide protection against break-in.

Part Number	Description
185-01346	Radius Floor Stand for Zebra ET4X

