

## QDD400GBDCOZRP4DBM-AR-ST01-AO

Arista Networks® Compatible TAA 400GBase-Open ZR+ Coherent QSFP-DD Transceiver (SMF, Tunable, 120km, LC, DOM, 4dBm)

### Features

- Hot Pluggable QSFP-DD Footprint (Type 2A)
- Duplex LC Connector
- Supports 400/300/200/100Gbps
- Coherent Receivers
- Power Dissipation is 22.5W
- Tunable C-Band Transmitter
- Tunable Power, max TX power +4dBm at 193.7THz +1dBm at C band
- Operating Case Temperature: 0 to 70 Celsius
- Up to 40KM reach without amplification & Up to 120KM reach with amplification
- Supports both CFEC and oFEC RoHS Compliant and Lead Free



### Applications

- Open ZR+
- 400GBase Ethernet

### Product Description

This Arista Networks® QSFP-DD transceiver provides 400GBase-Open ZR+ throughput up to 120km over single-mode fiber (SMF) using a tunable wavelength via an LC connector. It is guaranteed to be 100% compatible with the equivalent Arista Networks® transceiver. This easy to install, hot swappable transceiver has been programmed, uniquely serialized and data-traffic and application tested to ensure that it will initialize and perform identically. Digital optical monitoring (DOM) support is also present to allow access to real-time operating parameters. This transceiver is Trade Agreements Act (TAA) compliant. We stand behind the quality of our products and proudly offer a limited lifetime warranty.

AddOn's transceivers are RoHS compliant and lead-free.

TAA refers to the Trade Agreements Act (19 U.S.C. & 2501-2581), which is intended to foster fair and open international trade. TAA requires that the U.S. Government may acquire only "U.S. – made or designated country end products."



## Applications Supported

Description	Host Format	Modulation	FEC	Range (Note 1)	DAC-Rate	CD	
						Min	Max
OIF 400ZR app code 0x001	1 x 400GAUI-8	16QAM	CFEC	120km	1x1.50	-2400	2400
OpenZR+ MSA	1 x 400GAUI-8	16QAM	oFEC	450km	1x1.50	-26000	26000
Open ZR+ MSA	4 x 100GAUI-2	16QAM	oFEC	450km	1x1.25	-26000	26000
Open ZR+ MSA	4 x 100GAUI-2	16QAM	oFEC	450km	1x1.50	-26000	26000
Open ZR+ MSA	3 x 100GAUI-2	8QAM	oFEC	600km	1x1.50	-50000	50000
OpenZR+ MSA	2 x 100GAUI-2	QPSK	oFEC	1000km	1x1.50	-50000	50000
Open ZR+ Extension	2 x 100GAUI-2	8QAM	oFEC	2000km	1x1.25	-50000	50000
Open ZR+ Extension	2 x 100GAUI-2	16QAM	oFEC	2000km	1x1.25	-50000	50000
OpenZR+ MSA	1 x 100GAUI-2	QPSK	oFEC	2000km	1x1.50	-80000	80000

### Note:

1. Amplified: -10dBm to +1dBm output power @ C-band.

## Absolute Maximum Ratings

Parameter	Symbol	Min.	Typ.	Max.	Unit	Notes
Maximum Supply Voltage	Vcc	-0.3	3.3	3.6	V	Not damaged
Storage Temperature	Tstg	-40		85	°C	
Operating Case Temperature	Tc	0		70	°C	
Storage Relative Humidity	RH	5		85	%	Non-condensing
Operating Relative Humidity	RH	15		85	%	
Receiver Damage Threshold	PRdmg	10			dBm	Total optical power
ESD Sensitivity				1000	V	

## Recommended Operating Conditions

Parameter	Symbol	Min.	Typ.	Max.	Unit	Notes
Operating Case Temperature	TC	0		70	°C	
Power Supply Voltage	VCC	3.135	3.3	3.465	V	
	ICC			7.2	A	
Maximum Sustained Peak Current (<500ms)				7.4	A	
Maximum Instantaneous Peak Current (<50us)				9	A	
Electro-Static Discharge	ESD			1000	V	
Power Consumption	PD		22	22.5	W	1

<b>Relative Humidity</b>		RH	15		85	%	
<b>Client Mode</b>	<b>400G (400ZR)</b>		1 x 400GAUI-8				
			4 x 100GAUI-2				
	<b>400G (400ZR+)</b>		1 x 400GAUI-8				
			4 x 100GAUI-2				
	<b>300G (300ZR+)</b>		3 x 100GAUI-2				
	<b>200G (200ZR+)</b>		2 x 100GAUI-2				
		2 x CAUI-4					
<b>100G (100ZR+)</b>		1 x 100GAUI-2					
		1 x CAUI-4					
<b>Transmission Distance</b>	<b>400G (400ZR)</b>				120	km	
	<b>400G (400ZR+)</b>				450	km	
	<b>300G (300ZR+)</b>				600	km	
	<b>200G (200ZR+)</b>				1000	km	
	<b>100G (100ZR+)</b>				2000	km	
<b>Power Supply Noise</b>		Vrip			1%	DC-1MHz	
		Vrip			2%	1-10MHz	

**Notes:**

1. In 400GbE mode, the typical power consumption is 22W and the maximum power consumption is 22.5W. When switching to 4x100GbE mode, the typical power consumption will be 23W and the maximum power consumption will be 23.5W, the current will also change accordingly.

**High-Speed Electrical Characteristics 400GAUI-8 C2M and 100GAUI-2 C2M**

Parameter	Symbol	Min.	Max.	Unit	Notes
<b>Transmitter</b>					
Signaling Rate, Each Lane		26.5625 ± 100 ppm		GBd	PAM-4
AC Common-Mode Output Voltage (RMS)	RMS		17.5	mV	
Differential Voltage Pk-Pk	V <sub>in</sub> , pp	750	900	mV	
Near-end ESMW (Eye Symmetry Mask Width)		0.265		UI	Non-condensing
Near-end Eye Height, Differential		70		mV	
Far-end ESMW		0.2		UI	Total optical power
Far-end Eye Height, Differential		30		mV	
Far-end Pre-Cursor ISI Ratio		-4.5	2.5	%	
Differential Output Return Loss		Equation (83E-2)			IEEE Std 802.3-2018 Annex 120E
Common to Differential Mode Conversion Return Loss		Equation (83E-3)			IEEE Std 802.3-2018 Annex 120E
Differential Termination Mismatch			10	%	At 1 MHz

Transition Time (20% to 80%)	Trise/Tfall	9.5		Ps	20% to 80%
DC Common Mode Voltage	Vcm	-350	2850	mV	
<b>Receiver</b>					
Signaling Rate Per Lane		26.5625 ± 100 ppm		GBd	PAM-4
Differential Pk-Pk Input Voltage Tolerance	Vout, pp	900		mV	
Differential Input Return Loss (min)		Equation (83E-5)			IEEE Std 802.3-2018 Annex 120E
Differential to Common-Mode Input Return Loss (min)		Equation (83E-6)			IEEE Std 802.3-2018 Annex 120E
Differential Termination Mismatch			10	%	
Module Stressed Input Test		See 120E.3.4.1			IEEE Std 802.3-2018 Annex 120E
Single-Ended Voltage Tolerance Range (min)		-0.4	3.3	V	
DC common mode voltage(min)		-350	2850	mV	

### High-Speed Electrical Characteristics CAUI-4 C2M

Parameter	Symbol	Min.	Max.	Unit	Notes
<b>Transmitter</b>					
Signaling Rate, Each Lane		25.78125 ± 100 ppm		GBd	NRZ
AC Common-Mode Output Voltage (RMS)	RMS		17.5	mV	
Differential Voltage Pk-Pk	Vin, pp	750	900	mV	
Eye Width		0.57		UI	
Eye Height, Differential		228		mV	
Vertical Eye Closure		5.5		dB	
Differential Output Return Loss		Equation (83E-2)			IEEE Std 802.3-2018 Annex 120E
Common to Differential Mode Conversion Return Loss		Equation (83E-3)			IEEE Std 802.3-2018 Annex 120E
Differential Termination Mismatch			10	%	At 1 MHz
Transition Time (20% to 80%)	Trise/Tfall	9.5		Ps	20% to 80%
DC Common Mode Voltage	Vcm	-350	2850	mV	
<b>Receiver</b>					
Signaling Rate Per Lane		25.78125 ± 100 ppm		GBd	NRZ
Differential Pk-Pk Input Voltage Tolerance	Vout, pp	900		mV	
Differential Input Return Loss (min)		Equation (83E-5)			IEEE Std 802.3-2018 Annex 120E
Differential to Common-Mode Input Return Loss (min)		Equation (83E-6)			IEEE Std 802.3-2018 Annex 120E
Differential Termination Mismatch			10	%	

<b>Module Stressed Input Test</b>		See 83E.3.4.1			
<b>Single-Ended Voltage Tolerance Range (min)</b>		-0.4	3.3	V	
<b>DC common mode voltage(min)</b>		-350	2850	mV	

### Low-Speed Electrical Characteristics

Parameter	Symbol	Min.	Max.	Unit	Notes
<b>SCL and SDA</b>	VOL	0	0.4	V	1
	VOH	V <sub>CC</sub> -0.5	V <sub>CC</sub> +0.3	V	
<b>SCL and SDA</b>	VIL	-0.3	V <sub>CC</sub> *0.3	V	
	VIH	V <sub>CC</sub> *0.7	V <sub>CC</sub> +0.5	V	
<b>Capacitance for SCL and SDA I/O Signal</b>	C <sub>i</sub>		14	pF	
<b>Total Bus Capacitive Load for SCL and SDA</b>	C <sub>b</sub>		100	pF	2
	C <sub>b</sub>		200	pF	3
<b>InitMode, ResetL and ModSelL IntL</b>	VIL	-0.3	0.8	V	
	VIH	2	V <sub>CC</sub> +0.3	V	
	I <sub>in</sub>		360	uA	0V<V <sub>in</sub> <V <sub>CC</sub>
	VOL	0	0.4	V	IOL=2.0mA
	VOH	V <sub>CC</sub> -0.5	V <sub>CC</sub> +0.3	V	10k ohms pull up to Host V <sub>CC</sub>
<b>ModPrsL</b>	VOL	0	0.4	V	IOL=2.0mA
	VOH				4

#### Notes:

1. IOL(max)=3mA for fast mode, 20ma for Fast-mode plus.
2. For 400kHz clock rate use 3.0 k Ohms Pullup resistor, max. For 1000kHz clock rate refer to Figure 45 (QSFP-DD-Hardware-rev5p0).
3. For 400kHz clock rate use 1.6 k Ohms pullup resistor, max. For 1000kHz clock rate refer to Figure 45 (QSFP-DD-Hardware-rev5p0)
4. ModPrsL can be implemented as a short-circuit to GND on the module.

## Optical Characteristics

Parameter	Min.	Typ.	Max.	Unit	Notes
<b>Transmitter</b>					
<b>Modulation Format</b>	<b>400G</b>	ZR400-CFEC-16QAM			CFEC FEC, NCG 10.8dB
		ZR400-OFEC-16QAM			OFEC FEC, NCG 11.6dB
	<b>300G</b>	ZR300-OFEC-8QAM			
	<b>200G</b>	ZR200-OFEC-QPSK			
	<b>100G</b>	ZR100-OFEC-QPSK			
<b>Baud Rate</b>	<b>400G</b>	59.843750000±20ppm		GBd	
		60.138546798±20ppm		GBd	
	<b>300G</b>	60.138546798±20ppm		GBd	
	<b>200G</b>	60.138546798±20ppm		GBd	
	<b>100G</b>	30.069273399±20ppm		GBd	
<b>Transmitter Frequency Range</b>	191.3		196.1	THz	
<b>Flexible DWDM Grid</b>	6.25			GHz	
<b>Frequency Fine Tuning Range</b>	-5		5	GHz	Bright tuning
<b>Frequency Fine Tuning Step</b>	0.1			GHz	
<b>Laser Frequency Accuracy</b>	-1.8		1.8	GHz	
<b>TX Spectral Upper Mask</b>			(30.0, 0.0) (37.0,-1 0.0) (39.2,-1 5.0) (40.4,-2 0.0)	(GHz,d B)	1
<b>TX Spectral Lower Mask</b>	(30.0,-9.0) (31.3,-2 0.0) (31.3,-3 5.0)			(GHz,d B)	2
<b>Transmitter Laser Disable Time</b>			100	ms	
<b>Transmitter Wavelength Switching Time</b>			60	s	
<b>Transmitter Laser Enable Time</b>			10	s	
<b>Transmit Output Power Adjustable Range</b>	-10		1	dBm	3
<b>Transmit Output Power Adjust Step</b>	0.1			dB	
<b>Optical Power Setting Accuracy</b>	-1		1	dB	4
<b>Output Power Monitor Accuracy</b>	-1		1	dB	
<b>Power Stability</b>	-0.5		0.5	dB	At fixed wavelength, room temperature
	-1		1	dB	5
<b>Total Output Power with Tx Disabled</b>			-20	dBm	
<b>Total Output Power During Wavelength Switching</b>			-20	dBm	
<b>Transmitter Reflectance</b>			-20	dB	Looking into the Tx

Inband (IB) OSNR	38				dB	
Lorentzian Linewidth			300		kHz	Tx and LO
Relative Intensity Noise			-140		dB/Hz	
Mean I-Q Amplitude Imbalance			1		dB	
Transmitter Polarization Dependent Power			1.5		dB	
DC I-Q Offset (Mean per Polarization)			-26		dB	
I-Q Instantaneous Offset			-20		dB	
<b>Receiver</b>						
Modulation Format	400G	ZR400-CFEC-16QAM				CFEC FEC, NCG 10.8dB
		ZR400-OFEC-16QAM				OFEC FEC, Net Coding Gain(NCG) 11.6dB, Thretical Max PreFEC BER 2.0E-2
	300G	ZR300-OFEC-8QAM				
	200G	ZR200-OFEC-QPSK				
	100G	ZR100-OFEC-QPSK				
Baud Rate	400G	59.843750000±20ppm			GBd	400ZR, SFF-8024 Media ID 3Eh/3Fh
		60.138546798±20ppm			GBd	400ZR+, SFF-8024 Media ID 46h
	300G	60.138546798±20ppm			GBd	300ZR+, SFF-8024 Media ID 47h
	200G	60.138546798±20ppm			GBd	200ZR+, SFF-8024 Media ID 48h
	100G	30.069273399±20ppm			GBd	100ZR+, SFF-8024 Media ID 49h
Frequency Offset Between Received Carrier and LO	-3.6		+3.6		GHz	
Input Power Range	400G	-12		0	dBm	Signal power, OSNR>26dB,400ZR
		-12		0	dBm	Signal power, OSNR>24dB,400ZR+
	300G	-15		0	dBm	Signal power, OSNR>21dB,300ZR+
	200G	-18		0	dBm	Signal power, OSNR>16dB,200ZR+
	100G	-18		0	dBm	Signal power, OSNR>12.5dB,100ZR+
OSNR Tolerance	400G			26	dB/0.1nm	400ZR
				24	dB/0.1nm	400ZR+
	300G			21	dB/0.1nm	300ZR+
	200G			16	dB/0.1nm	200ZR+
	100G			12.5	dB/0.1nm	100ZR+
RX Sensitivity	400G	-20			dBm	400ZR
						Inband (IB) OSNR ≥34dB
Non-damaging Input Power			10		dBm	Total power
Optical Input Power Monitor Accuracy	-2		2		dB	Total power
MAX FEC Pre Ber	0.017		0.020			

<b>Chromatic Dispersion Tolerance</b>	<b>400G</b>			2,400	ps/nm	400ZR	Tolerance to CD with $\leq 0.5$ dB penalty to OSNR sensitivity when change in SOP is $\leq 1$ rad/ms
				20,000	ps/nm	400ZR+	
	<b>300G</b>			40,000	ps/nm	300ZR+	
	<b>200G</b>			50,000	ps/nm	200ZR+	
	<b>100G</b>			100,000	ps/nm	100ZR+	
<b>CD Monitor Accuracy</b>		-200		200	ps/nm		
<b>DGD Tolerance</b>	<b>400G</b>	33			ps	400ZR	OSNR penalty $< 0.5$ dB
		66			ps	400ZR+	
	<b>300G</b>	83			ps	300ZR+	
	<b>200G</b>	83			ps	200ZR+	
	<b>100G</b>	100			ps	100ZR+	
<b>DGD Monitor Accuracy</b>		-15		15	ps	6	
<b>Peak PDL Tolerance</b>				3.0	dB	7	
				3.5	dB	8	
<b>Tolerance to Change in SOP</b>		50			krad/s	9	
<b>Optical Return Loss</b>		20			dB		Optical reflectance at Rx connector input.
<b>Optical Rx_LOS Assert Threshold</b>	<b>400G</b>	-20	-18	-16	dBm		
	<b>300G</b>	-23	-21	-19	dBm		
	<b>200G</b>	-26	-24	-22	dBm		
	<b>100G</b>	-26	-24	-22	dBm		
<b>Optical Rx_LOS Hysteresis</b>		1	1.5	2.5	dB		
<b>Optical Input Power Transient Tolerance</b>		-2		2	dB		
<b>Service Recovery Time</b>				40	ms		

#### Notes:

1. Refer to OIF-400ZR-02.0 13.3.201b.  
Refer to openzrplus\_2p0 11.4.10.
2. Refer to OIF-400ZR-02.0 13.3.201b.  
Refer to openzrplus\_2p0 11.4.10.
3. The absolute accuracy is  $\pm 1$  dB.
4. Difference between setting and reporting.
5. At fixed wavelength, environment temperature.
6. 0~40ps for 400ZR  
0~100ps for 400/300/200/100ZR+
7. Tolerance to peak PDL with  $\leq 1.3$  dB additional OSNR penalty when change in SOP is  $\leq 1$  rad/ms.
8. Tolerance to peak PDL with  $\leq 1.8$  dB additional OSNR penalty when change in SOP is  $\leq 1$  rad/ms.
9. With  $\leq 0.5$  dB additional OSNR penalty over all PMD and PDL values.
10. Tolerance to change in input power with  $< 0.5$  dB penalty to OSNR tolerance.  
The 20% to 80% rise/fall times for the input power change shall be no faster than 50  $\mu$ s.

11. The transmitter and receiver comply with the 400GAUI-8 C2M and CEI-56G-VSR-PAM4 electrical specification, Electrical interface definitions see IEEE Std 802.3-2018 Annex 120E. The data lines are AC-coupled and terminated in the module per the following figure from the QSFP-DD MSA.

### Control and Status I/O Timing Characteristics

Parameter	Symbol	Min.	Max.	Unit	Notes
MgmtInitDuration	Max MgmtInit		2000	ms	1
ResetL Assert Time	t_reset_init	10		us	2
IntL Assert Time	ton_IntL		200	ms	3
IntL De-assert Time	toff_IntL		500	us	4
Rx LOS Assert Time	ton_los		100	ms	5
Rx LOS Assert Time (Optional Fast Mode)	ton_losf		10	ms	6
Rx LOS De-assert Time	toff_los		100	ms	
Tx Fault Assert Time	ton_Txfault		200	ms	7
Flag Assert Time	ton_flag		200	ms	8
Mask Assert Time	ton_mask		100	ms	9
Mask De-assert Time	toff_mask		100	ms	10
High Power Up State			180	s	
Software TX Disable Assert Time			100	ms	
Software TX Disable De-assert Time			10	s	

### Notes:

1. Time from power on, hot plug or rising edge of reset until completion of the MgmtInit State.
2. Minimum pulse time on the ResetL signal to initiate a module reset.
3. Time from occurrence of condition triggering IntL until Vout:IntL=Vol.
4. Time from clear on read operation of associated flag until Vout:IntL=Voh. This includes de-assert times for Rx LOS, Tx Fault and other flag bits.
5. Time from Rx LOS condition present to Rx LOS bit set (value = 1b) and IntL asserted.
6. Time from Rx LOS state to Rx LOS bit set (value = 1b) and IntL asserted.
7. Time from Tx Fault state to Tx Fault bit set (value=1b) and IntL asserted.
8. Time from occurrence of condition triggering flag to associated flag bit set (value=1b) and IntL asserted.
9. Time from mask bit set (value=1b) until associated IntL assertion is inhibited.
10. Time from mask bit cleared (value=0b) until associated IntL operation resumes.

## Pin Descriptions

Pin	Logic	Symbol	Name/Description	Plug Sequence	Notes
1		GND	Ground	1B	1
2	CML-I	Tx2n	Transmitter Inverted Data Input	3B	
3	CML-I	Tx2p	Transmitter Non-Inverted Data Input	3B	
4		GND	Ground	1B	1
5	CML-I	Tx4n	Transmitter Inverted Data Input	3B	
6	CML-I	Tx4p	Transmitter Non-Inverted Data Input	3B	
7		GND	Ground	1B	1
8	LVTTL-I	ModSelL	Module Select	3B	
9	LVTTL-I	ResetL	Module Reset	3B	
10		VccRx	+3.3V Power Supply Receiver	2B	2
11	LVC MOS-I/O	SCL	2-wire serial interface clock	3B	
12	LVC MOS-I/O	SDA	2-wire serial interface data	3B	
13		GND	Ground	1B	1
14	CML-O	Rx3p	Receiver Non-Inverted Data Output	3B	
15	CML-O	Rx3n	Receiver Inverted Data Output	3B	
16		GND	Ground	1B	1
17	CML-O	Rx1p	Receiver Non-Inverted Data Output	3B	
18	CML-O	Rx1n	Receiver Inverted Data Output	3B	
19		GND	Ground	1B	1
20		GND	Ground	1B	1
21	CML-O	Rx2n	Receiver Inverted Data Output	3B	
22	CML-O	Rx2p	Receiver Non-Inverted Data Output	3B	
23		GND	Ground	1B	1
24	CML-O	Rx4n	Receiver Inverted Data Output	3B	
25	CML-O	Rx4p	Receiver Non-Inverted Data Output	3B	
26		GND	Ground	1B	1
27	LVTTL-O	ModPrsL	Module Present	3B	
28	LVTTL-O	IntL	Interrupt	3B	
29		VccTx	+3.3V Power supply transmitter	2B	2
30		Vcc1	+3.3V Power supply	2B	2
31	LVTTL-I	LPMode	Low Power mode;	3B	
32		GND	Ground	1B	1
33	CML-I	Tx3p	Transmitter Non-Inverted Data Input	3B	
34	CML-I	Tx3n	Transmitter Inverted Data Input	3B	
35		GND	Ground	1B	1

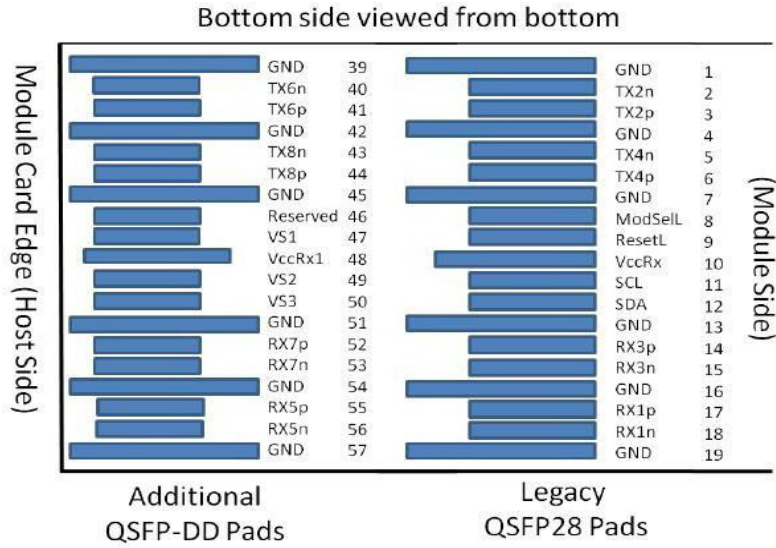
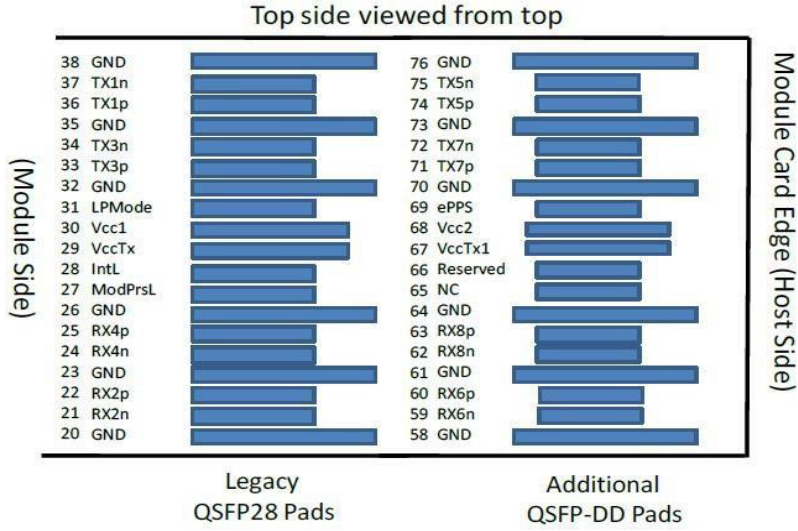
36	CML-I	Tx1p	Transmitter Non-Inverted Data Input	3B	
37	CML-I	Tx1n	Transmitter Inverted Data Input	3B	
38		GND	Ground	1B	1
39		GND	Ground	1A	1
40	CML-I	Tx6n	Transmitter Inverted Data Input	3A	
41	CML-I	Tx6p	Transmitter Non-Inverted Data Input	3A	
42		GND	Ground	1A	1
43	CML-I	Tx8n	Transmitter Inverted Data Input	3A	
44	CML-I	Tx8p	Transmitter Non-Inverted Data Input	3A	
45		GND	Ground	1A	1
46		Reserved	For future use	3A	3
47		VS1	Module Vendor Specific 1	3A	3
48		VccRx1	3.3V Power Supply	2A	2
49		VS2	Module Vendor Specific 2	3A	3
50		VS3	Module Vendor Specific 3	3A	3
51		GND	Ground	1A	1
52	CML-O	Rx7p	Receiver Non-Inverted Data Output	3A	
53	CML-O	Rx7n	Receiver Inverted Data Output	3A	
54		GND	Ground	1A	1
55	CML-O	Rx5p	Receiver Non-Inverted Data Output	3A	
56	CML-O	Rx5n	Receiver Inverted Data Output	3A	
57		GND	Ground	1A	1
58		GND	Ground	1A	1
59	CML-O	Rx6n	Receiver Inverted Data Output	3A	
60	CML-O	Rx6p	Receiver Non-Inverted Data Output	3A	
61		GND	Ground	1A	1
62	CML-O	Rx8n	Receiver Inverted Data Output	3A	
63	CML-O	Rx8p	Receiver Non-Inverted Data Output	3A	
64		GND	Ground	1A	1
65		NC	No Connect	3A	3
66		Reserved	For future use	3A	3
67		VccTx1	3.3V Power Supply	2A	2
68		Vcc2	3.3V Power Supply	2A	2
69	LVTTTL-I	ePPS	Precision Time Protocol (PTP) reference clock input. Not used	3A	3
70		GND	Ground	1A	1
71	CML-I	Tx7p	Transmitter Non-Inverted Data Input	3A	
72	CML-I	Tx7n	Transmitter Inverted Data Input	3A	

<b>73</b>		GND	Ground	1A	1
<b>74</b>	CML-I	Tx5p	Transmitter Non-Inverted Data Input	3A	
<b>75</b>	CML-I	Tx5n	Transmitter Inverted Data Input	3A	
<b>76</b>		GND	Ground	1A	1

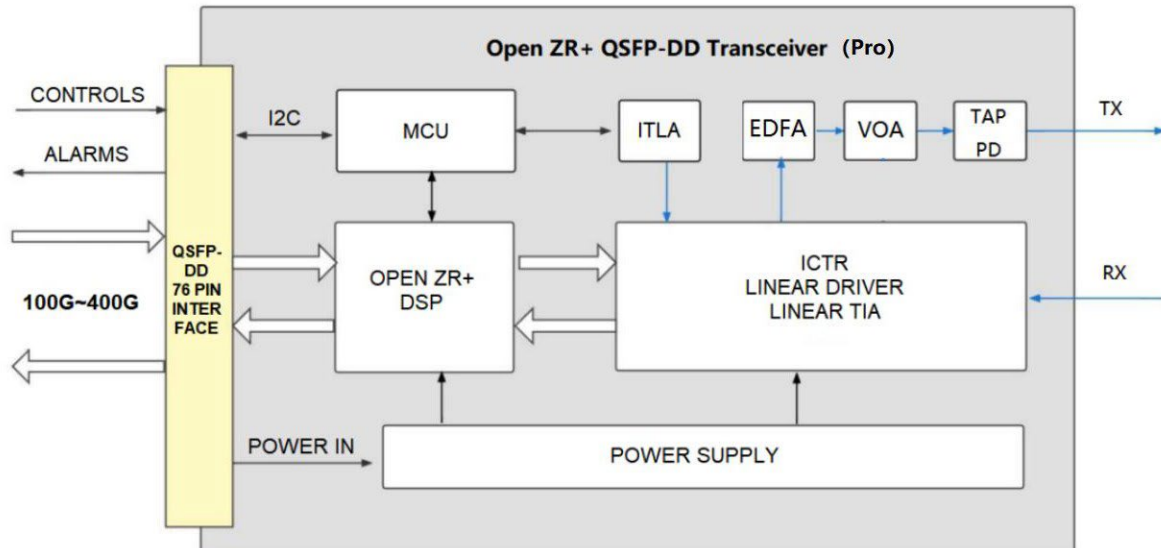
**Notes:**

1. QSFP-DD uses common ground (GND) for all signals and supply (power). All are common within the QSFP-DD module and all module voltages are referenced to this potential unless otherwise noted. Connect these directly to the host board signal common ground plane.
2. VccRx, VccRx1, Vcc1, Vcc2, VccTx and VccTx1 shall be applied concurrently. Requirements defined for the host side of the Host Card Edge Connector. VccRx, VccRx1, Vcc1, Vcc2, VccTx and VccTx1 may be internally connected within the module in any combination. The connector Vcc pins are each rated for a maximum current of 1500 mA.
3. All Vendor Specific, Reserved and No Connect pins may be terminated with 50ohms to ground on the host. Pad 65 (No Connect) shall be left unconnected within the module. Vendor specific and Reserved pads shall have an impedance to GND that is greater than 10K ohms and less than 100pF.
4. Plug Sequence specifies the mating sequence of the host connector and module. The sequence is 1A, 2A, 3A, 1B, 2B, 3B. (see Figure 2 for pad locations) Contact sequence A will make, then break contact with additional QSFP-DD pads. Sequence 1A, 1B will then occur simultaneously, followed by 2A, 2B, followed by 3A, 3B.

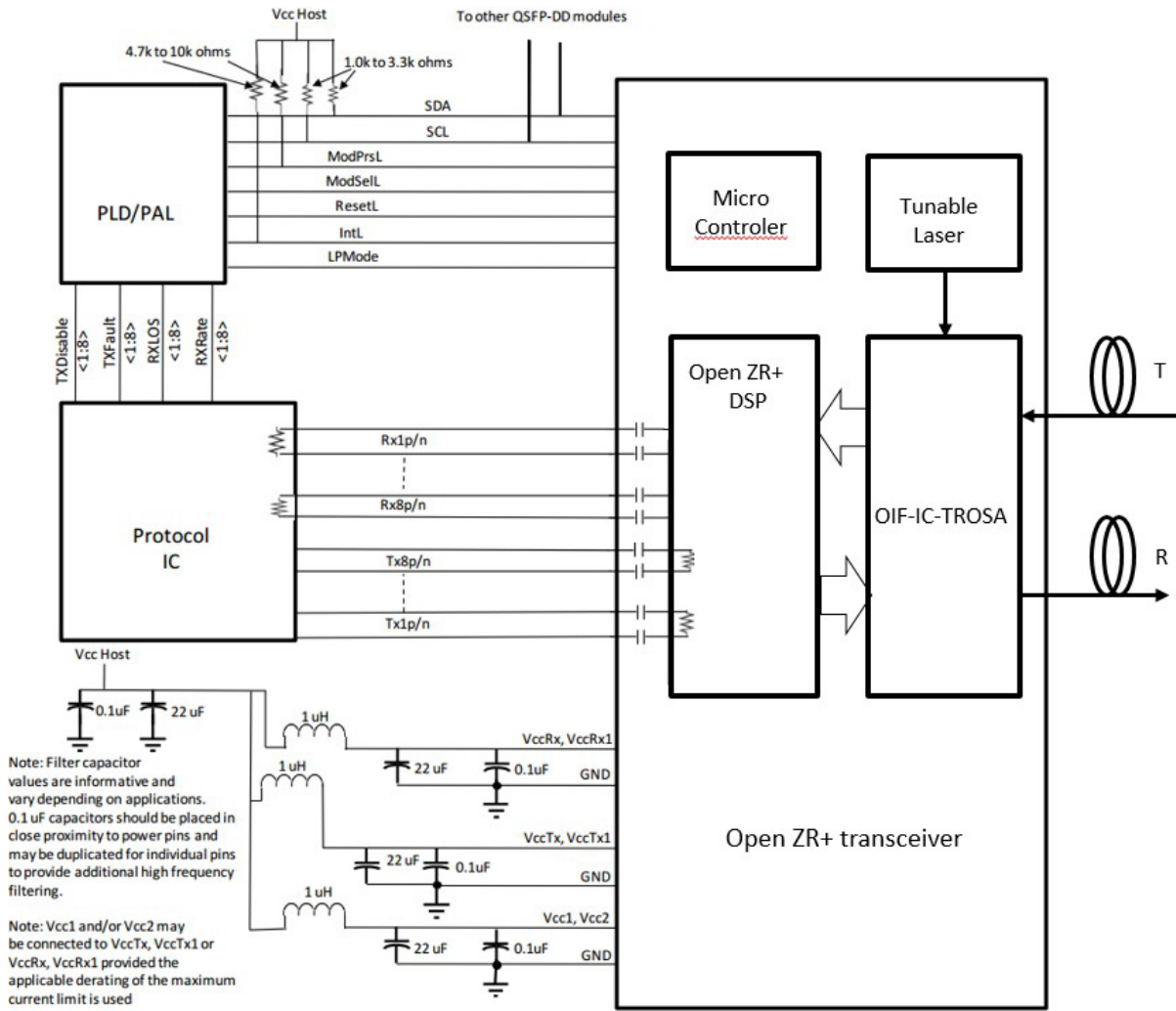
## Electrical Pad Layout



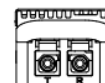
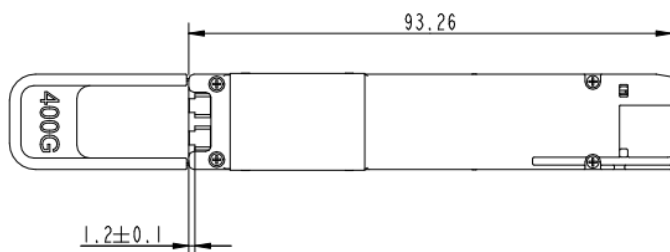
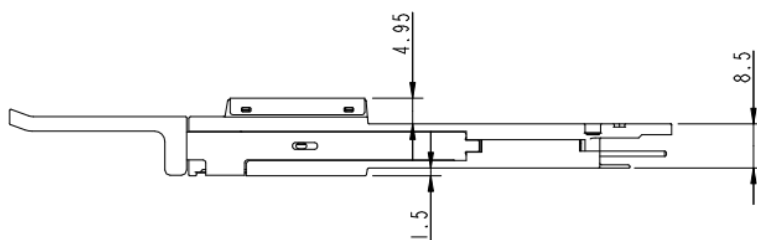
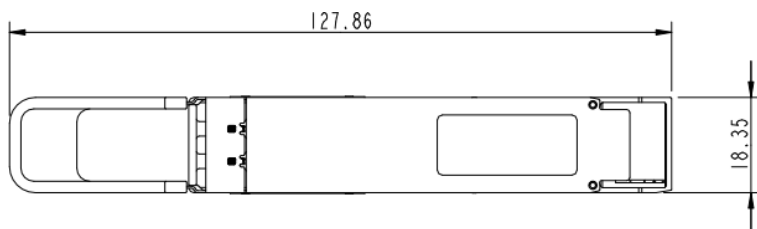
## Block Diagram



# Recommended Interface Circuit



# Mechanical Specifications



## About AddOn Networks

In 1999, AddOn Networks entered the market with a single product. Our founders fulfilled a severe shortage for compatible, cost-effective optical transceivers that compete at the same performance levels as leading OEM manufacturers. Adhering to the idea of redefining service and product quality not previously had in the fiber optic networking industry, AddOn invested resources in solution design, production, fulfillment, and global support.

Combining one of the most extensive and stringent testing processes in the industry, an exceptional free tech support center, and a consistent roll-out of innovative technologies, AddOn has continually set industry standards of quality and reliability throughout its history.

Reliability is the cornerstone of any optical fiber network and is engrained in AddOn's DNA. It has played a key role in nurturing the long-term relationships developed over the years with customers. AddOn remains committed to exceeding industry standards with certifications from ranging from NEBS Level 3 to ISO 9001:2005 with every new development while maintaining the signature reliability of its products.



## U.S. Headquarters

Email: [sales@addonnetworks.com](mailto:sales@addonnetworks.com)

Telephone: +1 877.292.1701

Fax: 949.266.9273

## Europe Headquarters

Email: [salesupportemea@addonnetworks.com](mailto:salesupportemea@addonnetworks.com)

Telephone: +44 1285 842070