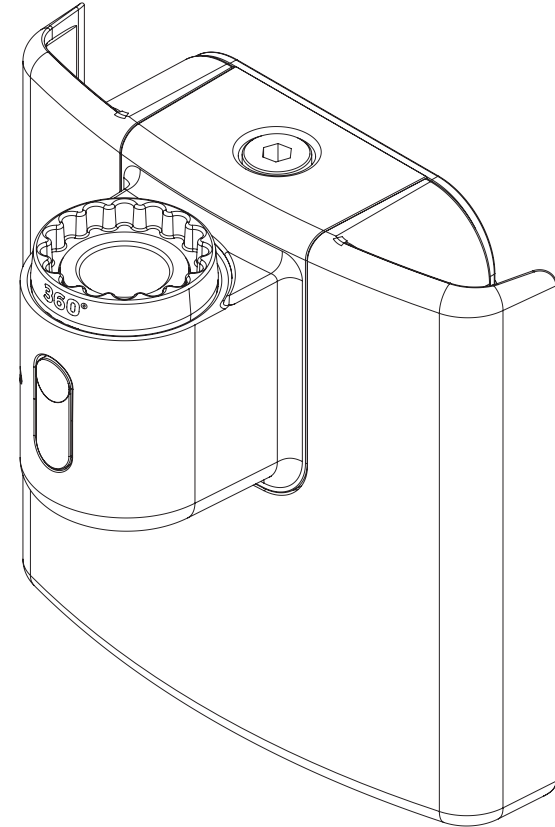
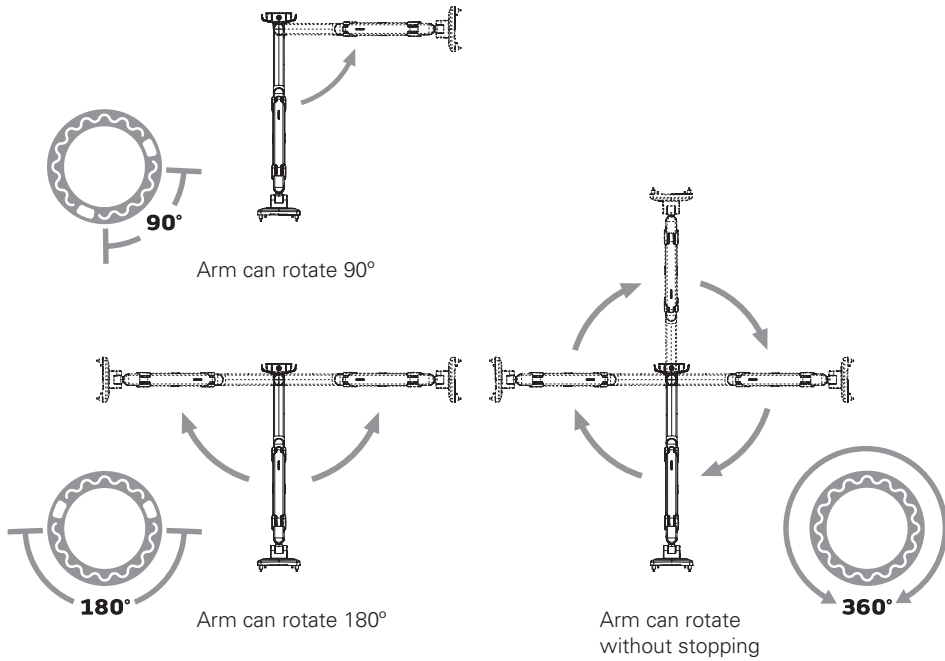
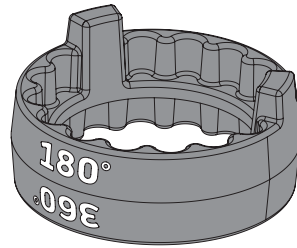


STEP 7:

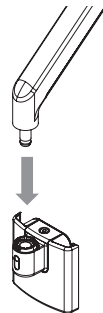
Position the stop ring to limit the arm's range of motion if desired. The marked angle will be in the center of the range of motion.



STEP 8:

Insert monitor arm into the mount until release button locks in place.

To remove arm press release button and pull the arm up near the joint.

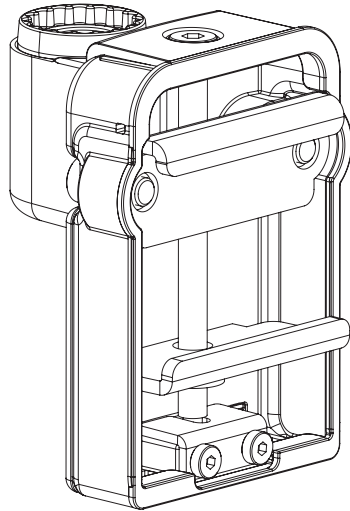
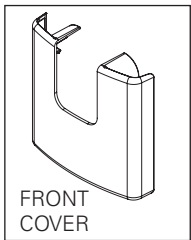


M2.1

SlatWall Mount Installation Instructions

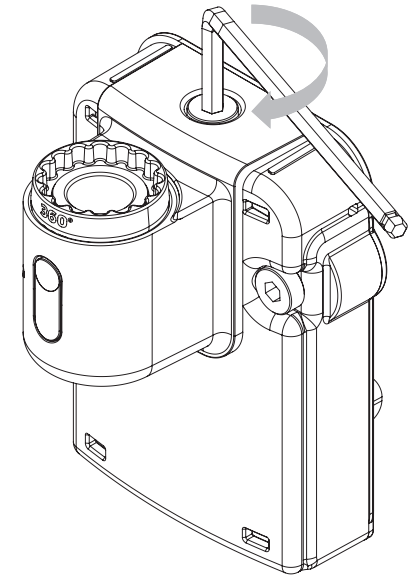
STEP 1:

Remove the front cover from the mount and place mount on rail with both hooks positioned to grip rails.



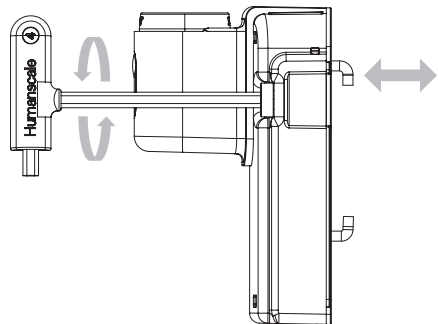
STEP 3:

Turn top screw clockwise to tighten the lower hook until the mount is securely fastened to the rail.



STEP 2:

If needed, the top hook depth can be adjusted to secure the mount to different slatwall thicknesses. To do so, use 4mm hex key to turn the screws clockwise to tighten the hooks or counterclockwise to extend the hooks.



STEP 4:

Reinstall the plastic cover.

