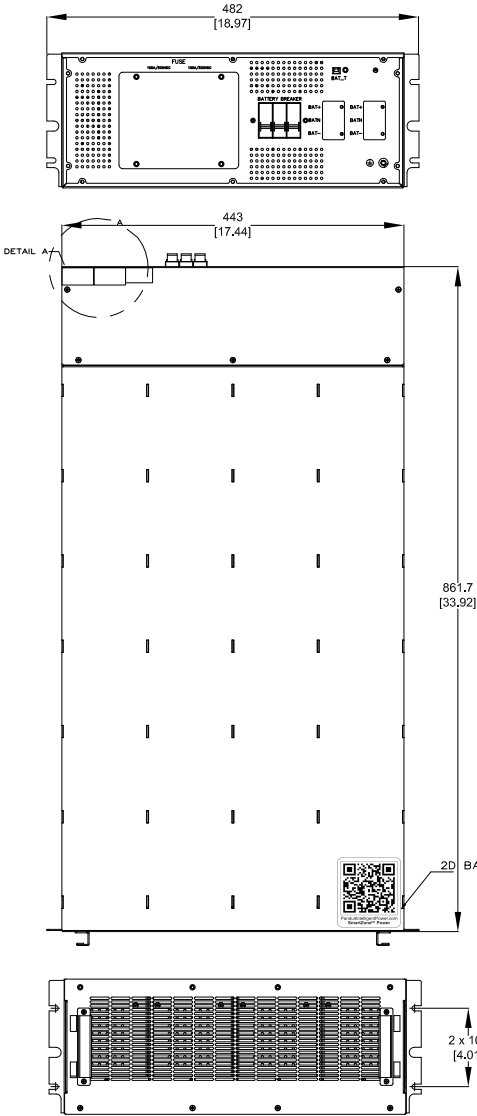


THIS COPY IS PROVIDED ON A RESTRICTED BASIS AND IS NOT TO BE USED IN ANY WAY DETRIMENTAL TO THE INTERESTS OF PANDUIT CORP.



1. STANDARD:

USE WITH UPS CAPACITY: 10-20 KVA 3 PHASE UNIT
 BATTERY TYPE: VALVE REGULATED LEAD ACID-NON SPILLABLE
 NOMINAL INPUT/OUTPUT VOLTAGE: +/-240VDC FOR A TOTAL OF 480VDC
 BREAKER TYPE: 63A/3P(2)
 WEIGHT OF Pb(LEAD): 68KG
 WEIGHT OF H2SO4(SULFURIC ACID): 16KG

2. ADDITIONAL:
 NONE

3. ACCESSORY COMPONENTS:

SAFETY WARNING SHEET, QTY: (1)
 INCLUDES P/N: URM480 INSTALLATION RAIL KIT, QTY (1).
 REFER TO ASSOCIATED DRAWINGS FOR PHYSICAL DIMENSIONS AND SPECIFICATIONS
 EBP POWER CABLE, QTY, (1)
 INCLUDES P/N: UVD480 BATTERY CARTRIDGE SET, QTY, (4)

NOTES:

1. PRIMARY DIMENSIONS ARE IN MILLIMETERS. SECONDARY DIMENSIONS ARE IN INCHES
2. INSTALLATION SHALL COMPLY WITH ALL APPLICABLE NATIONAL, STATE, AND LOCAL CODES.
3. VISIT OUR ON-LINE CATALOG AT WWW.PANDUIT.COM FOR A CURRENT LIST OF PRODUCTS APPLICABLE FOR USE WITH THIS PART
4. ALL PURCHASED ITEMS CONFORM TO C2-0834 PANDUIT SPECIFICATION FOR CHEMICAL SUBSTANCES TO BE CONTROLLED IN PRODUCT AND PACKAGING

IDENTIFICATION:

PART NUMBER	DESCRIPTION	SHIPPING WEIGHT (KG)
UVP480	EXTERNAL BATTERY PACK 4*10PCS 480V (9AH BATTERIES) CHASSIS & BATTERIES INCLUDED	180



REV	DATE	BY	CHK	APR	DESCRIPTION	UVP480	ECN	DATE	FILE	W.D	VARIOUS	SHT	1 OF 2	REV	D
00A	0111	HL	JRZ	GMV/RSB	RELEASE TO PRODUCTION	UVP480		08/17/2021							

EXTERNAL BATTERY PACK UVP480	
CUSTOMER DRAWING	
UVP480/00	
UVP480-DC/00A	
UNLESS OTHERWISE SPECIFIED DIMENSIONAL TOLERANCES ARE AS SHOWN	
N/A	
UVP480-DC	

THIS COPY IS PROVIDED ON A RESTRICTED BASIS AND IS NOT TO BE USED IN ANY WAY DETRIMENTAL TO THE INTERESTS OF PANDUIT CORP.

PANDUIT
 18300 PANDUIT DRIVE, 60487, USA
 WWW.PANDUIT.COM

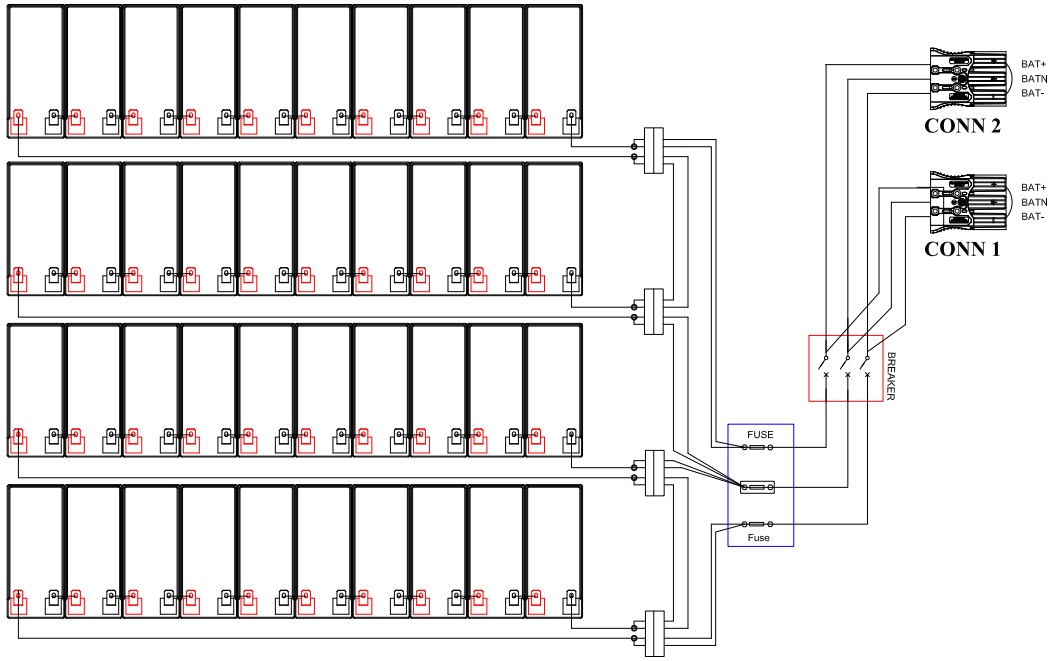
BATTERY POWER SYSTEMS
 MODEL NUMBER: ZM0V0N
 CAPACITY: 9 AH
 BATTERY: ± 240 V --- 44 A MAX.
 BATTERY TYPE: VALVE REGULATED LEAD ACID
 Protective Class: I

PROHIBIDO SU USO EN EXTERIORES
 MADE IN CHINA
 HECHO EN CHINA

P/N: UVP480
 UPC# 6 13056 62245 1

EXTERNAL BATTERY PACK:
UVP480

BATTERY



LEGEND			
	CIRCUIT BREAKER		AC-DC CONVERTER
	RELAY		DC-DC CONVERTER
	DC (DEFAULT BREAKER)		BATTERY PANEL
	BATTERY CONVERTER		TERMINAL
	FUSE		BATTERY UNIT

REVISION HISTORY				DESCRIPTION			
REV	DATE	BY	CHK	DESCRIPTION	REV	DATE	BY

P/N: UVP480 UVP480-DC/00A UVP480-DC/00A				EXTERNAL BATTERY PACK UVP480 CUSTOMER DRAWING			
UNLESS OTHERWISE SPECIFIED, DIMENSIONAL TOLERANCES ARE:				N/A			
PANDUIT THERMAL PRODUCTION 08/17/2021				UVP480-DC SHEET 1 OF 2			