

Owner's Manual Havis Docking Station For Dell Latitude 7030 Rugged Extreme Tablet

DS-DELL-1100 Series

DS-DELL-1101

DS-DELL-1102

DS-DELL-1103

DS-DELL-1104

DS-DELL-1107



DS-DELL-1100-SERIES_OMN_2-24

Before Beginning

Havis is pleased to provide this owner's manual to aid in the proper installation and use of the DS-DELL-1100 Series Docking Station for the Dell Latitude 7030 Rugged Extreme Tablet.

For questions regarding the set-up of your DS-DELL-1100 Series Docking Station, please contact Havis at 1-800-524-9900 or visit www.havis.com for additional product support and information.

This owner's manual applies to the following part numbers:

DS-DELL-1101 DS-DELL-1102 DS-DELL-1103 DS-DELL-1104 DS-DELL-1107

⚠ WARNING

- NEVER STOW OR MOUNT THE DOCKING STATION DIRECTLY IN A VEHICLE AIRBAG DEPLOYMENT ZONE.
- DO NOT USE COMPUTER WHILE DRIVING.
- NE JAMAIS RANGER OU MONTER LA STATION D'ACCUEIL DIRECTEMENT DANS UNE ZONE DE DÉPLOIEMENT D'AIRBAG DU VÉHICULE.
- NE PAS UTILISER L'ORDINATEUR EN CONDUISANT.

⚠ CAUTION

- READ ALL INSTRUCTIONS THOROUGHLY BEFORE BEGINNING INSTALLATION.
- DO NOT STORE, INSTALL, OR OPERATE THE DOCKING STATION WHERE WATER, MOISTURE, STEAM, DUST, ETC. ARE PRESENT.
- FOR THE DS-DELL-1104 & DS-DELL-1107 DOCKING STATIONS, DO NOT CONNECT DIRECTLY TO VEHICLE VOLTAGE SOURCE. These models require a certified, automotive grade, Dell/Havis approved power supply with a 19.5V output, such as the LPS-185, or an appropriate isolated power supply such as the LPS-186, LPS-187, or LPS-188. Failure to comply with this requirement will cause product damage that is NOT repairable and is NOT covered under warranty.
- LISEZ ATTENTIVEMENT TOUTES LES INSTRUCTIONS AVANT DE COMMENCER L'INSTALLATION.
- NE PAS STOCKER, INSTALLER OU UTILISER LA STATION D'ACCUEIL DANS UN LIEU D'EAU, D'HUMIDITÉ, DE VAPEUR, DE POUSSIÈRE, ETC. SONT PRÉSENTS.
- POUR LES STATIONS D'ACCUEIL DS-DELL-1104 ET DS-DELL-1107, NE PAS CONNECTER DIRECTEMENT À LA SOURCE DE TENSION DU VÉHICULE. Ces modèles nécessitent un bloc d'alimentation certifié, de qualité automobile, approuvé par Dell/Havis avec une sortie de 19,5 V, tel que le LPS-185, ou un bloc d'alimentation isolé approprié tel que le LPS-186, le LPS-187 ou le LPS-188. Le non-respect de cette exigence entraînera des dommages au produit qui ne seront PAS réparables et ne seront pas couverts par la garantie.

Precautions

- Do not place metal objects or containers of liquid on top of the docking station.
- If a malfunction occurs, immediately unplug the power supply and remove the tablet.
- Use only Dell/Havis approved power cables and power supplies with this docking station.
- Do not connect cables into ports other than what they are specified for.
- Do not store the docking station in a high temperature environment (greater than 85°C, 185°F) for a long period of time.
- Do not attempt to dock the tablet backwards or else damage may result.

Specifications

Configuration	Description	Power Options	Voltage Requirement
DS-DELL-1101	Standard electronics with internal power supply	DS-DA-339 Power Cable	12 VDC IN NOM (9-36 VDC IN)
DS-DELL-1102	Advanced electronics with internal power supply	DS-DA-339 Power Cable	12 VDC IN NOM (9-36 VDC IN)
DS-DELL-1103	No electronics	None	None
DS-DELL-1104	Standard electronics	External Power Supply	19.5 VDC IN NOM
DS-DELL-1107	Advanced electronics	External Power Supply	19.5 VDC IN NOM

Dimensions	Height: 9.1" (23.2 cm) Width: 9.5" (24.1 cm) Depth: 3.5" (8.8 cm)
Weight	2.3 lbs. (1.04 kg)
Operating Environment¹	-30° C to 63° C (-22° F to 145.4° F)
Storage Environment²	-40° C to 85° C (-40° F to 185° F)

¹ Operating environment for the Dell tablet's battery is -26°C to 60°C (-14.8°F to 140°F).

² Storage environment for the Dell tablet's battery is -20°C to 65°C (-4°F to 149°F).

EC DECLARATION OF CONFORMITY in accordance with EN 50498

Manufacturers Name: Havis, Inc.

Manufacturers Address: 75 Jacksonville Road, Warminster, PA 18974 USA

Declares under our sole responsibility that the product:

Product name: Havis Docking Station For Dell Latitude 7030 Rugged Extreme Tablet

Model: DS-DELL-110X, where 'X' may be any alphanumeric character and which describes product options. May be followed by any alphanumeric characters which describe product options.

Product options: This declaration covers all options of the above product which bear the CE Marking.

Is in conformity with the following standards or other normative documents:

Automotive EMC Directive 2004/108/EC: EN 50498:2010, Electromagnetic compatibility (EMC) - Product family standard for aftermarket electronic equipment in vehicles

Directive 2011/65/EU: Restriction of the use of certain hazardous substances (RoHS)

Supplementary Information:

The product herewith complies with the requirements of the Automotive EMC Directive 2004/108/EC, Annex I, 6.5, 6.6, 6.8, and 6.9. This product requires the use of a recommended e-Marked automotive power supply when used within vehicles.

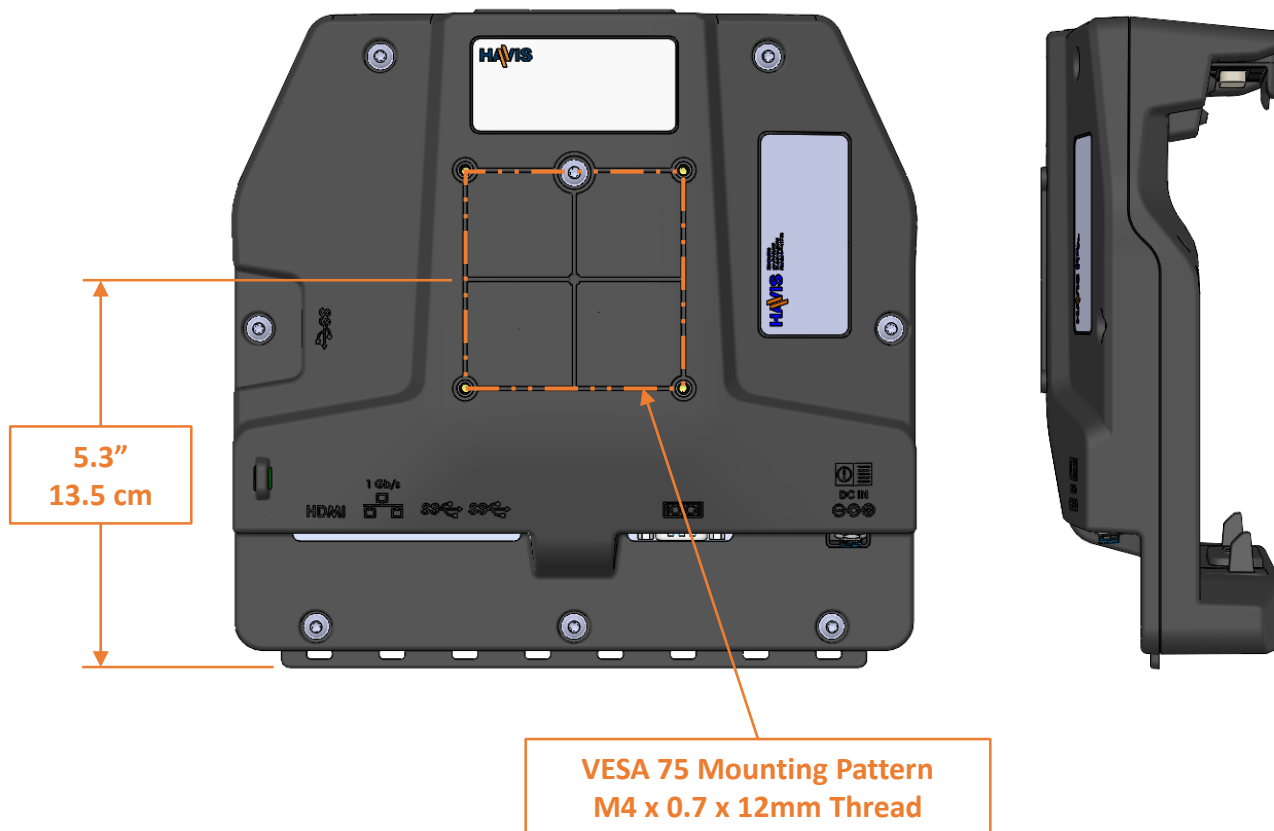
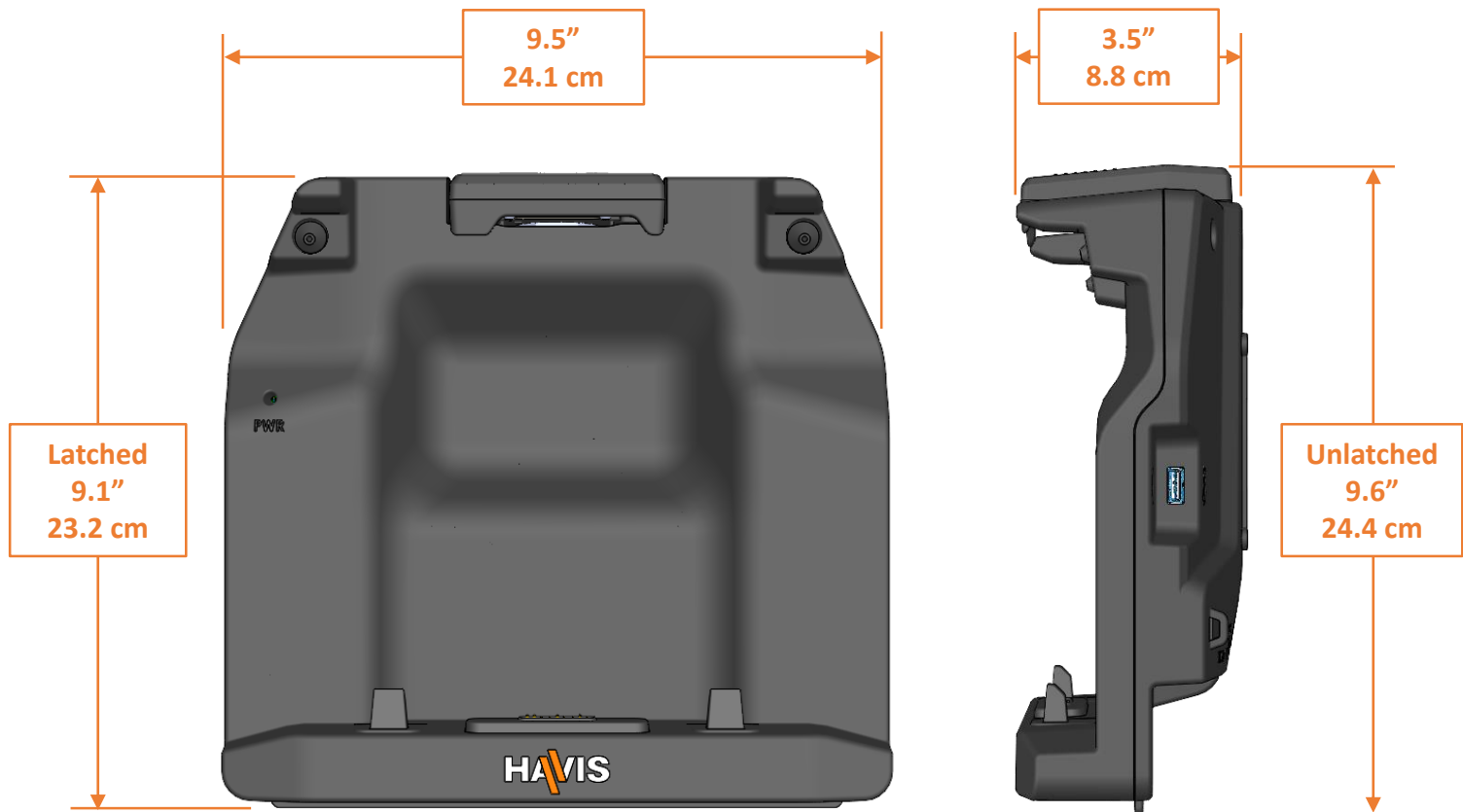
Warminster, PA, USA

December 4, 2023

Stephen Telesco, Director of Engineering, Havis, Inc.

FCC 47CFR, Part 15 compliance: This is an FCC Class B device. Any changes or modifications to the model DS-DELL-110X not expressly approved by Havis, Inc. could void the user's authority to operate this equipment.

Specifications (continued)



Parts Included

Docking Station

Barrel Lock

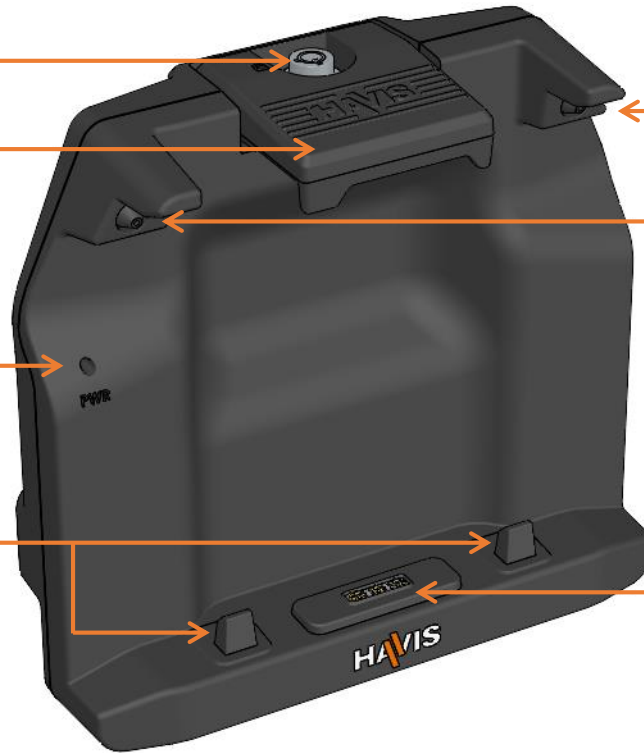
Latch Handle

LED Power Indicator

Locating Posts

Bumpers

Docking Connector



VESA 75 Mounting Holes

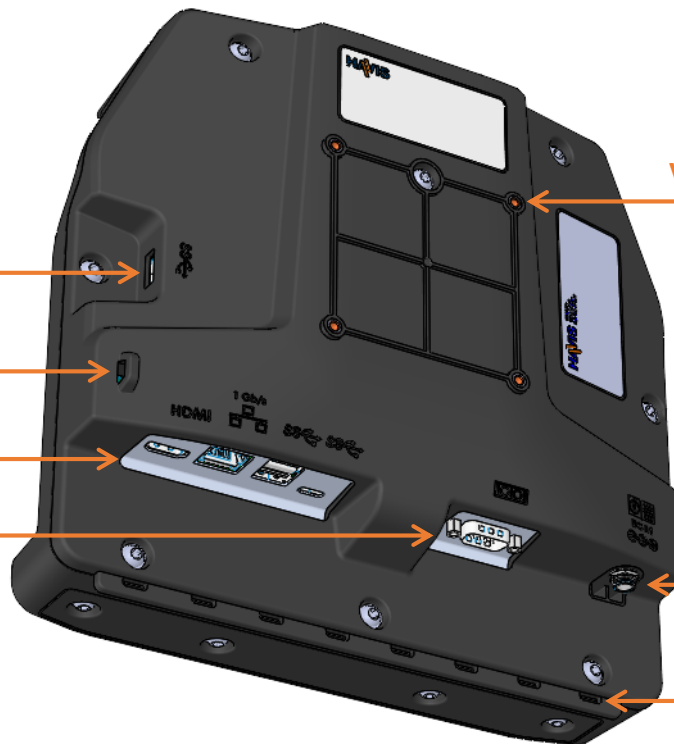
Side USB-A Port

Cable Strain Relief

I/O Ports

Power Port

Cable Strain Relief



Parts Included (continued)

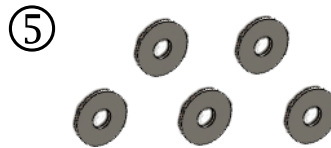
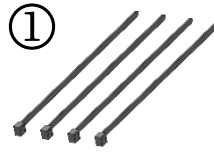
Hardware Kit (30-013743)

This hardware kit includes:

1. Zip ties (4)
2. Keys (2)
3. M4 x 0.7 x 12mm long screws (5)
4. Split lock washers (5)
5. M4 washers (5)

Tools required for installation:

- #2 Phillips (for M4 screws)



Power Cable (DS-DA-339)

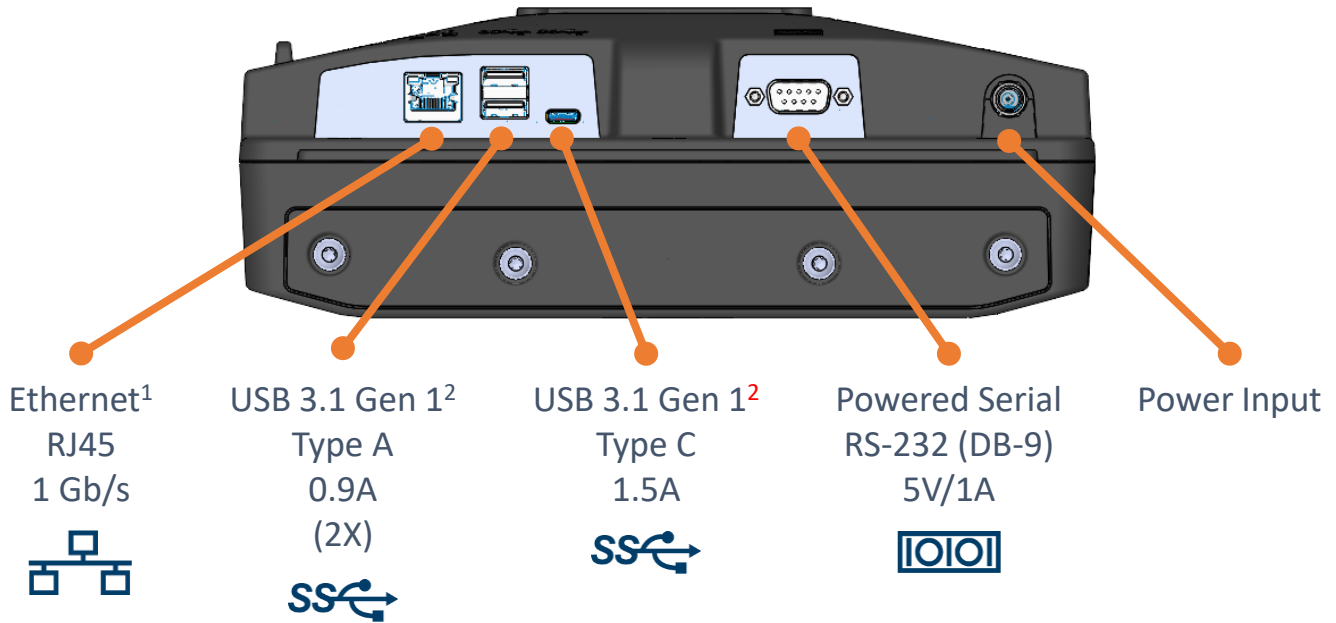
Included with the DS-DELL-1101 and DS-DELL-1102 only. Length is 6 ft. Cigarette lighter plug can be removed for hardwire installation.



Port Replication Capability

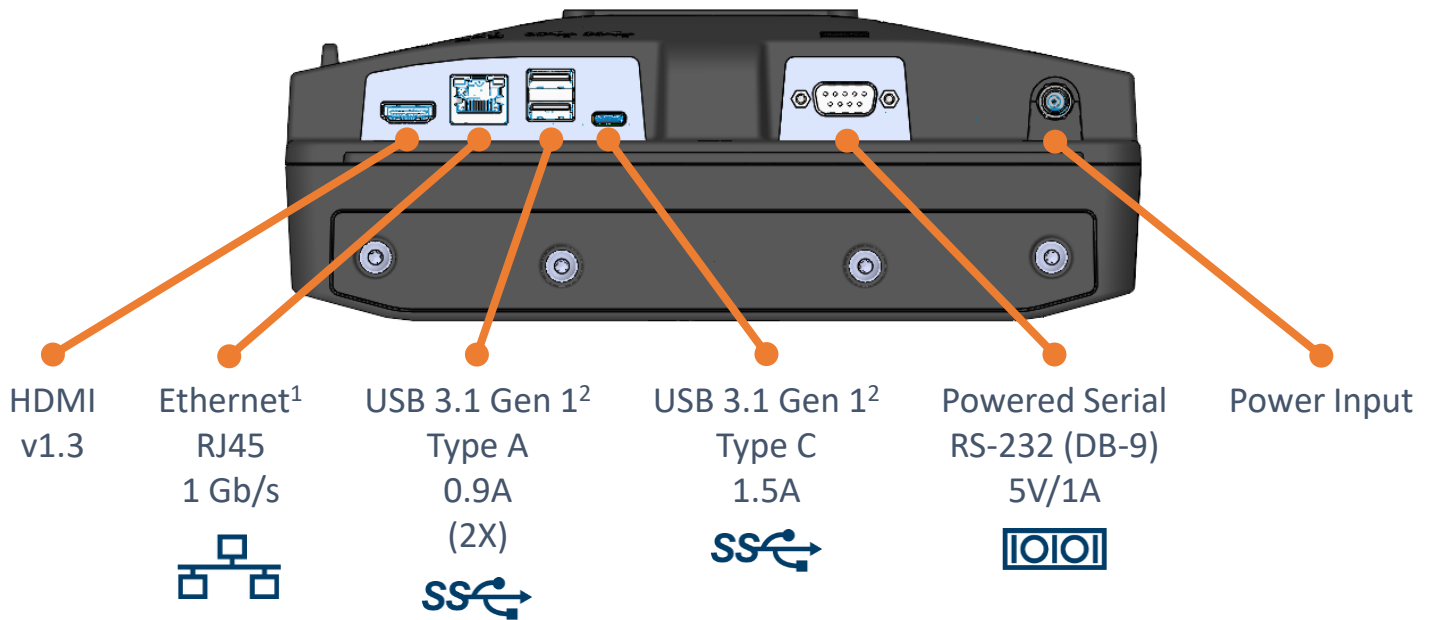
Downward Facing Ports – Standard Electronics

DS-DELL-1101, DS-DELL-1104



Downward Facing Ports – Advanced Electronics

DS-DELL-1102, DS-DELL-1107



¹ PXE feature is not supported. Wake-On-LAN (WOL) feature is not supported from S4/S5 states.

² USB ports do not support USB power delivery (USB PD).

Port Replication Capability *(continued)*

Side Facing Ports

DS-DELL-1101, DS-DELL-1102, DS-DELL-1104, DS-DELL-1107

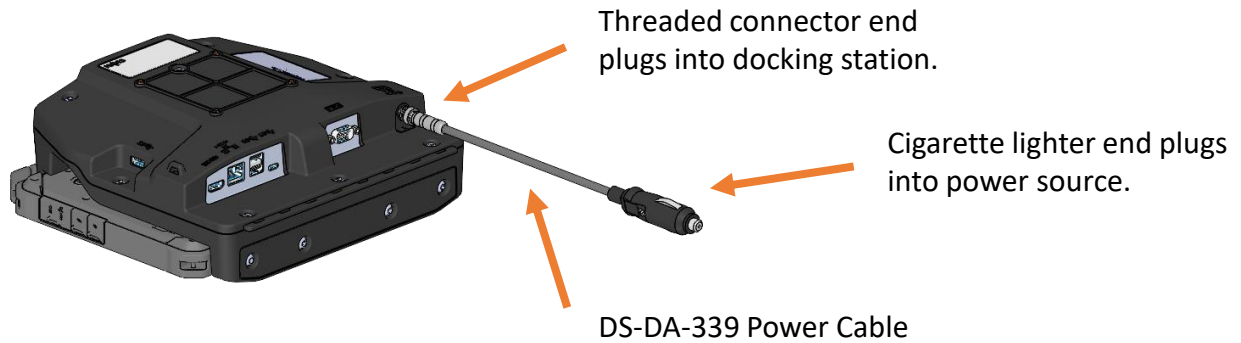


¹ USB ports do not support USB power delivery (USB PD).

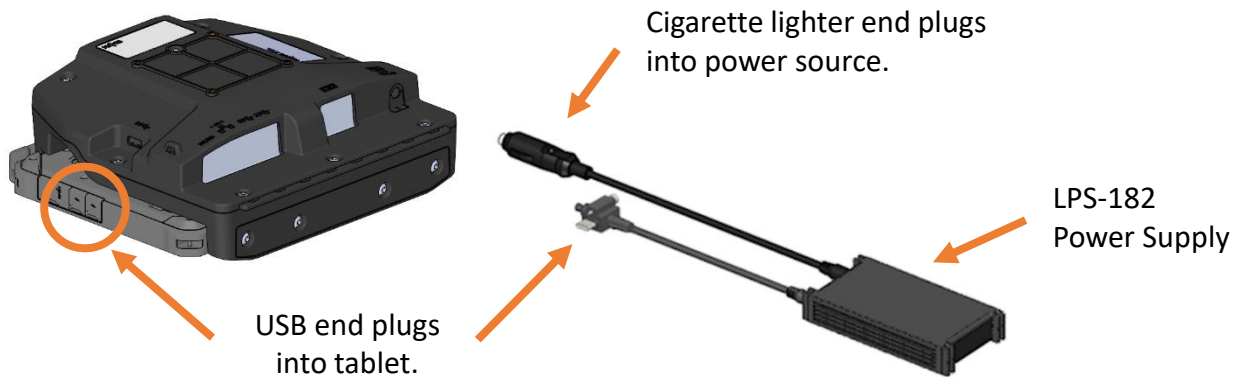
Power Input Configuration

There are several different power supply options for the DS-DELL-1100 Series Docking Station, as shown below.

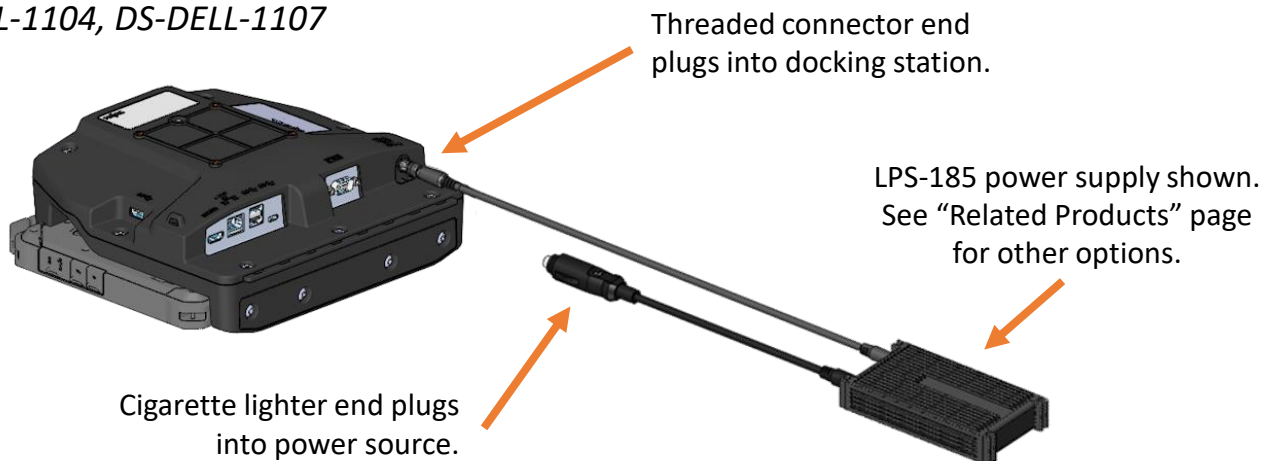
Internal Power Supply Configurations *DS-DELL-1101, DS-DELL-1102*



Cradle Configuration *DS-DELL-1103*



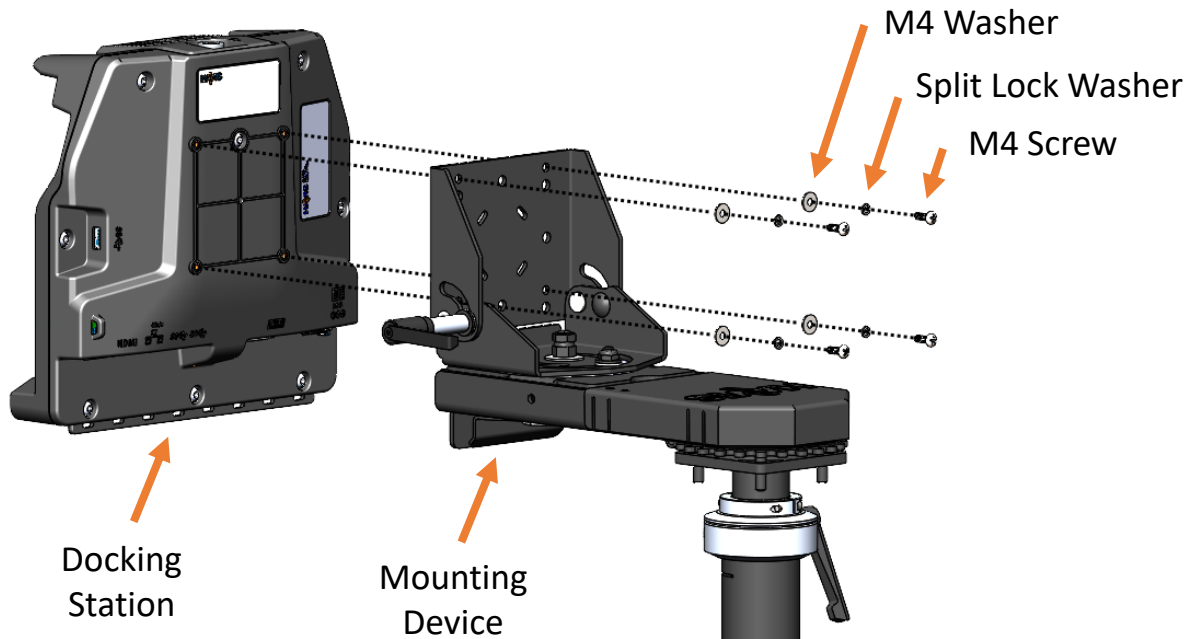
External Power Supply Configurations *DS-DELL-1104, DS-DELL-1107*



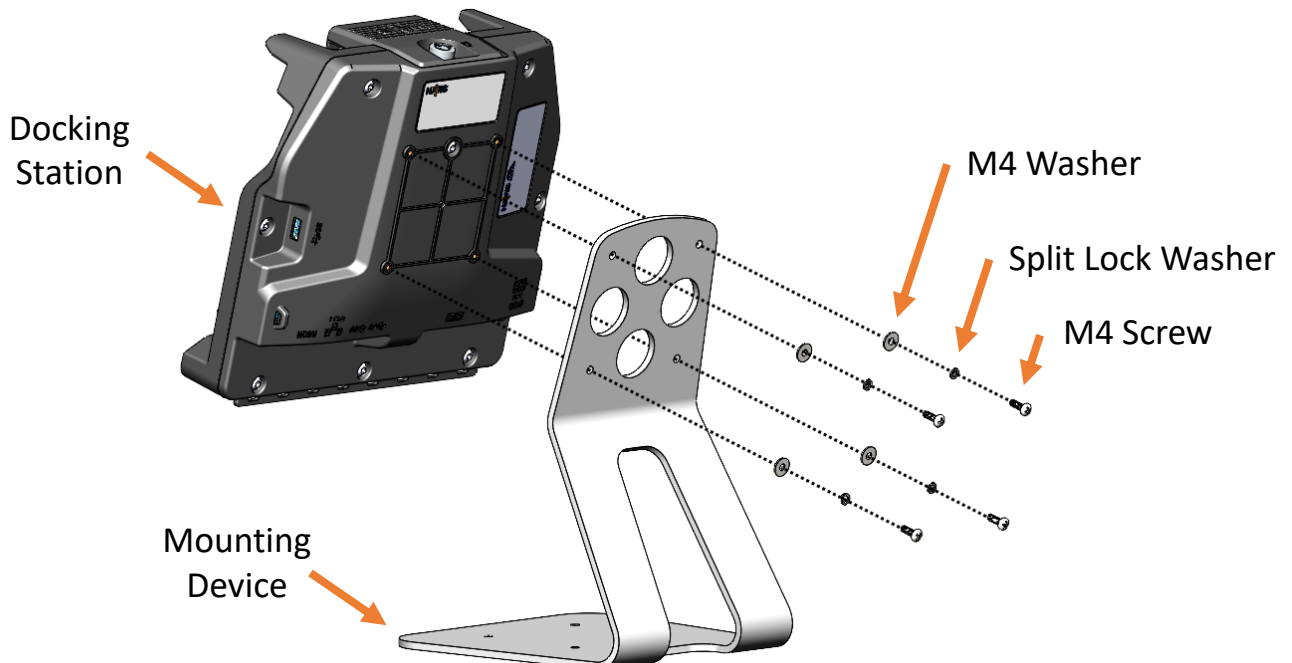
Installation

1) Align mounting holes of docking station with the hole pattern on desired mounting device. Use the provided hardware kit to fasten the docking station to the mounting device. Torque screws to 12-15 in-lbs (1.4-1.7 Nm).

A. Installation for Havis in-vehicle mounting system (sold separately).



B. Installation for Havis desktop stand (sold separately).



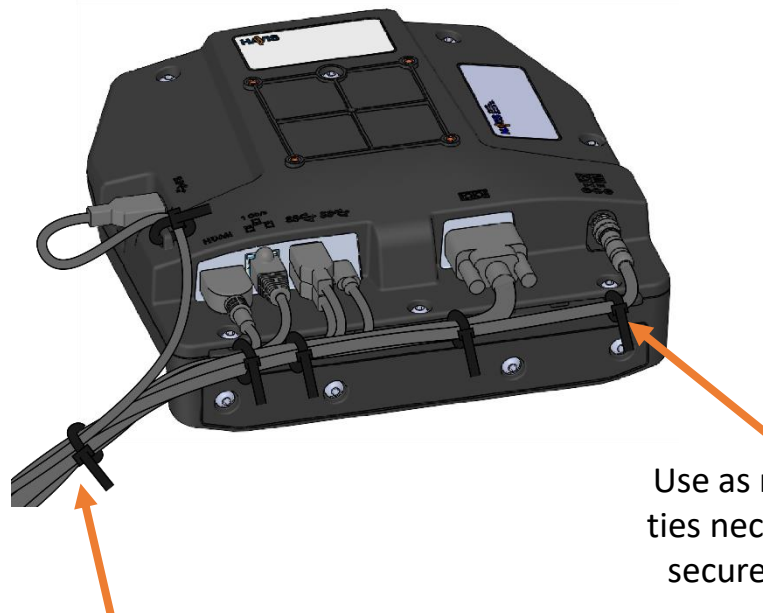
Cable Management

1) Connect desired cables to docking station. Use zip ties provided in hardware kit to fasten cables to strain relief points of the docking station.

A. Location of strain relief points.



B. Docking station with cables fastened to strain relief points.

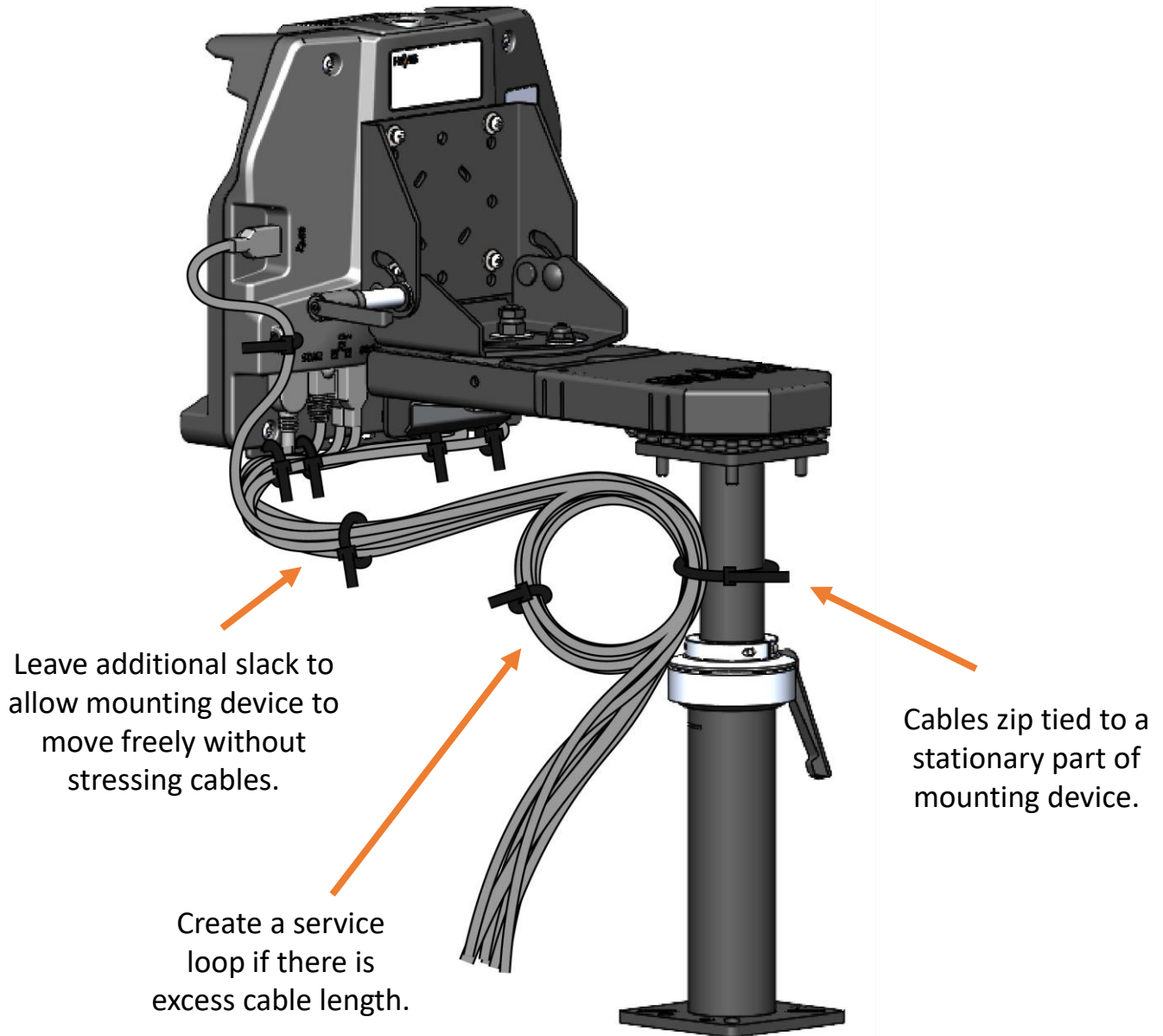


Route all cables together so they can be attached to the mounting device.

Use as many zip ties necessary to secure cables.

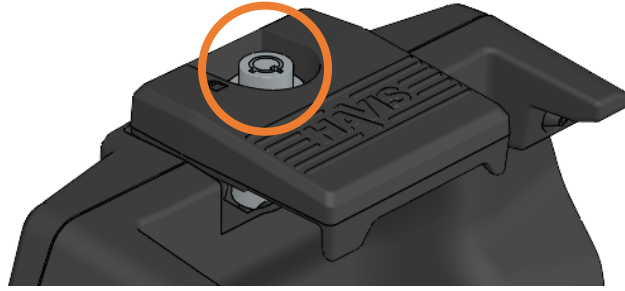
Cable Management *(continued)*

2) Zip tie cables onto a stationary part of the mounting device.

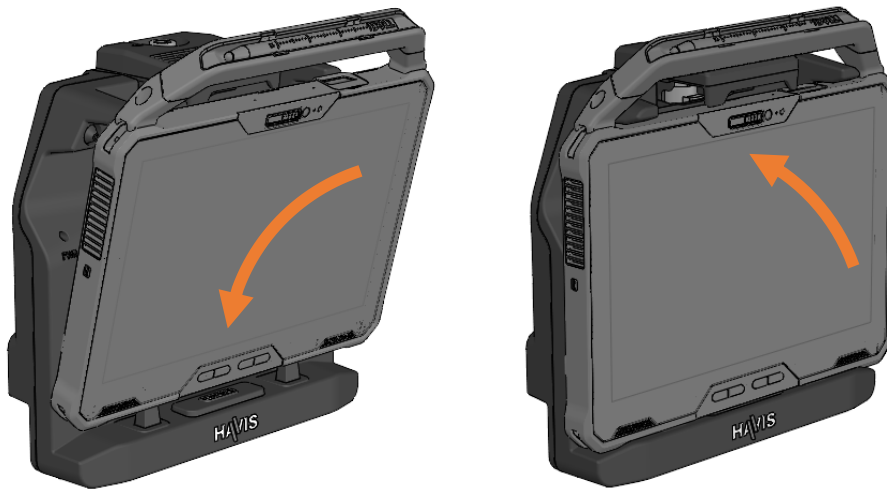


Operation - Docking

- 1) Press the lock button on top of the docking station to ensure it is unlatched.



- 2) Hold the tablet in landscape orientation. Lower the bottom of the tablet onto the docking station and then pivot the top until tablet is fully seated.

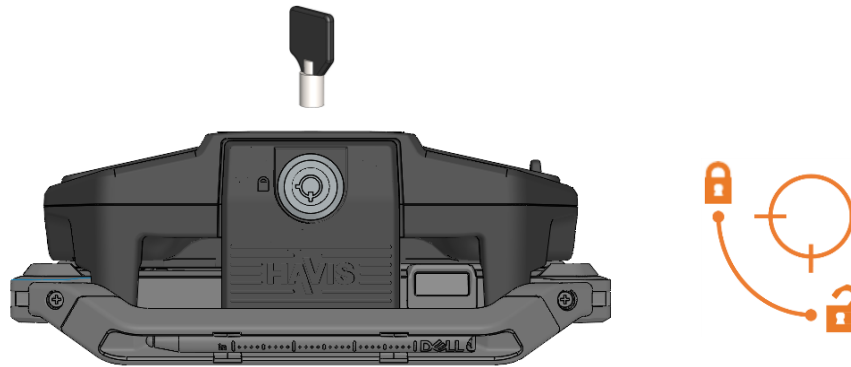


- 3) To secure the tablet, push downwards on the latch until a click is heard.



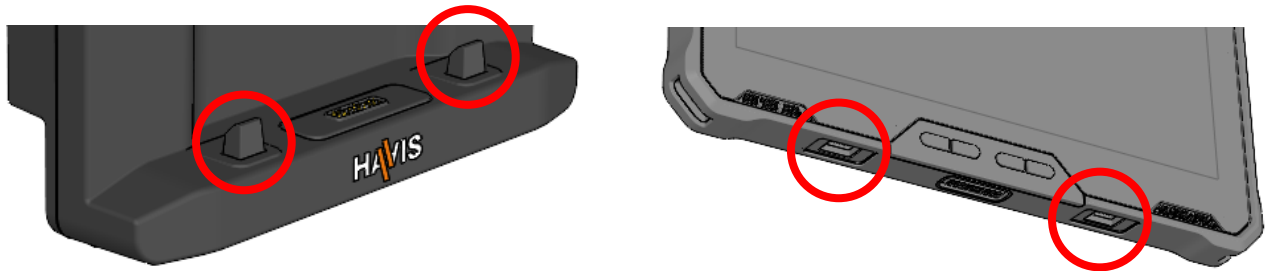
Operation - Docking (continued)

- 4) For theft deterrence, lock the docking station using the supplied key (hardware kit item #2).



CAUTION

DO NOT FORCE TABLET ONTO DOCKING STATION. IF THERE IS RESISTANCE, ENSURE THE LOCATING POSTS OF THE DOCKING STATION LINE UP WITH THE POCKETS OF THE TABLET.



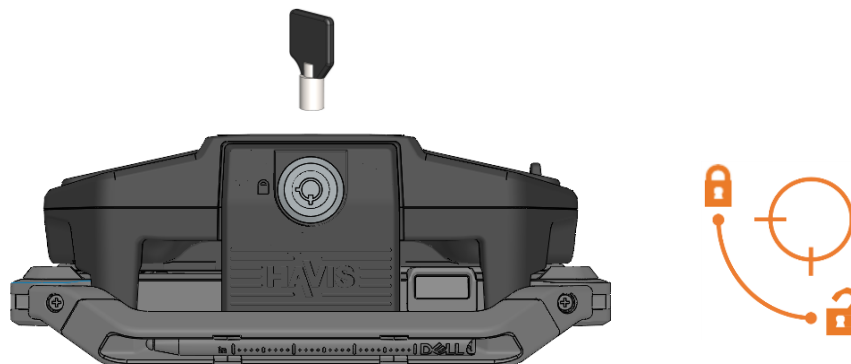
WARNING



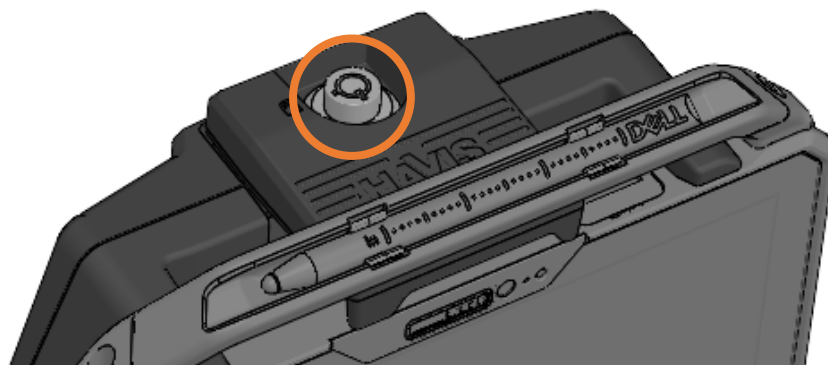
DO NOT DOCK TABLET BACKWARDS IN THE DOCKING STATION.

Operation - Undocking

- 1) If previously locked, unlock the docking station using the supplied key (hardware kit item #2).



- 2) While securely holding the tablet, push the lock button on the top of the docking station to release the latch.



- 3) Remove the tablet by tilting it forward and lifting it out of the docking station.



Related Products

Havis offers a wide variety of accessory products specifically for use with your docking station. For more information or to order, please visit www.havis.com.



DS-DA-339
Power Cable

Power cable for DS-DELL-1101 and DS-DELL-1102 docking stations.



DS-DA-218
Desktop Stand

Durable stand for mounting the DS-DELL-1100 Series Docking Stations in the home or office.



DS-DA-502
Replacement Keys

Set of (2) replacement keys for the DS-DELL-1100 Series Docking Stations.



Power Supplies for DS-DELL-1104 and DS-DELL-1107

LPS-185
Power Supply w/ Cigarette Input Cable

LPS-186
Isolated Power Supply w/ Hardwired Input Cable (12-32VDC)

LPS-187
Isolated Power Supply w/ Hardwired Input Cable (20-60VDC)

LPS-188
Isolated Power Supply w/ Hardwired Input Cable (70-110VDC)

LPS-181
AC Power Supply w/ Hardwired Output Cable

Power Supply for DS-DELL-1103

LPS-182
Power Supply w/ USB-C Power Output Cable