



DATA SHEET

USB-A to USB-B Cables

C2G Performance Series USB-A Male to USB-B Male Active Optical Cable (AOC) - 3.2 Gen 2 (10Gbps) Plenum Rated

OVERVIEW

C2G Performance Series USB Active Optical Cables (AOC) are an innovatively designed solution for video conferencing and extending USB signals in corporate and educational spaces like meeting spaces, classrooms, and other commercial applications requiring USB data transfer speeds up to 10Gbps. The cable's fiber strand construction reduces the risk of EMI/RFI, providing stable performance when used in high interference environments ensuring reliable data communication.

We have designed and engineered our USB AOCs with quality components to give a robust, durable design and fast data transfers, ideal for installation needs that are beyond the length limitations of standard, passive USB cabling. The cable jacket meets the fire code requirements for installation within plenum spaces, like a dropped ceiling.

USB AOCs can only run in one direction. This USB AOC cable features a unidirectional design which requires the cable to be installed in a specific direction. The USB-A connector is intended to connect to the source computer, while the USB-B connector is meant to connect to the device. Most USB devices can be powered by the connected source device and may not require external power. If additional power is needed, an integrated USB-C power pigtail is included on the USB-B end of the cable—ideal for high power commercial USB cameras and devices.

Our engineers have completed extensive compatibility and verification tests with various source computers and devices to validate that these USB AOCs will withstand real-world applications and scenarios.

With these being a part of the C2G Performance Series, they include:

- Commercial grade connectors that feature compact overmolding for high-density environments
- Integrated finger grips on the top, bottom, and sides for easy insertion and removal

Note: Use a USB-C to USB-A cable for additional power. Connect the USB-C to USB-A cable to the integrated USB-C power pigtail on the display end of the cable and power source. We recommend using C2G parts 28871 and 22335.

ITEM DESCRIPTION

| | |
|----------|--|
| C2G30084 | 15ft (4.5m) C2G Performance Series USB-A Male to USB-B Male Active Optical Cable (AOC) - 3.2 Gen 2 (10Gbps) Plenum Rated |
| C2G30085 | 25ft (7.6m) C2G Performance Series USB-A Male to USB-B Male Active Optical Cable (AOC) - 3.2 Gen 2 (10Gbps) Plenum Rated |
| C2G30086 | 35ft (10.7m) C2G Performance Series USB-A Male to USB-B Male Active Optical Cable (AOC) - 3.2 Gen 2 (10Gbps) Plenum Rated |
| C2G30087 | 50ft (15.2m) C2G Performance Series USB-A Male to USB-B Male Active Optical Cable (AOC) - 3.2 Gen 2 (10Gbps) Plenum Rated |
| C2G30088 | 75ft (22.8m) C2G Performance Series USB-A Male to USB-B Male Active Optical Cable (AOC) - 3.2 Gen 2 (10Gbps) Plenum Rated |
| C2G30089 | 100ft (30.5m) C2G Performance Series USB-A Male to USB-B Male Active Optical Cable (AOC) - 3.2 Gen 2 (10Gbps) Plenum Rated |
| C2G30090 | 125ft (38.1m) C2G Performance Series USB-A Male to USB-B Male Active Optical Cable (AOC) - 3.2 Gen 2 (10Gbps) Plenum Rated |

FEATURES

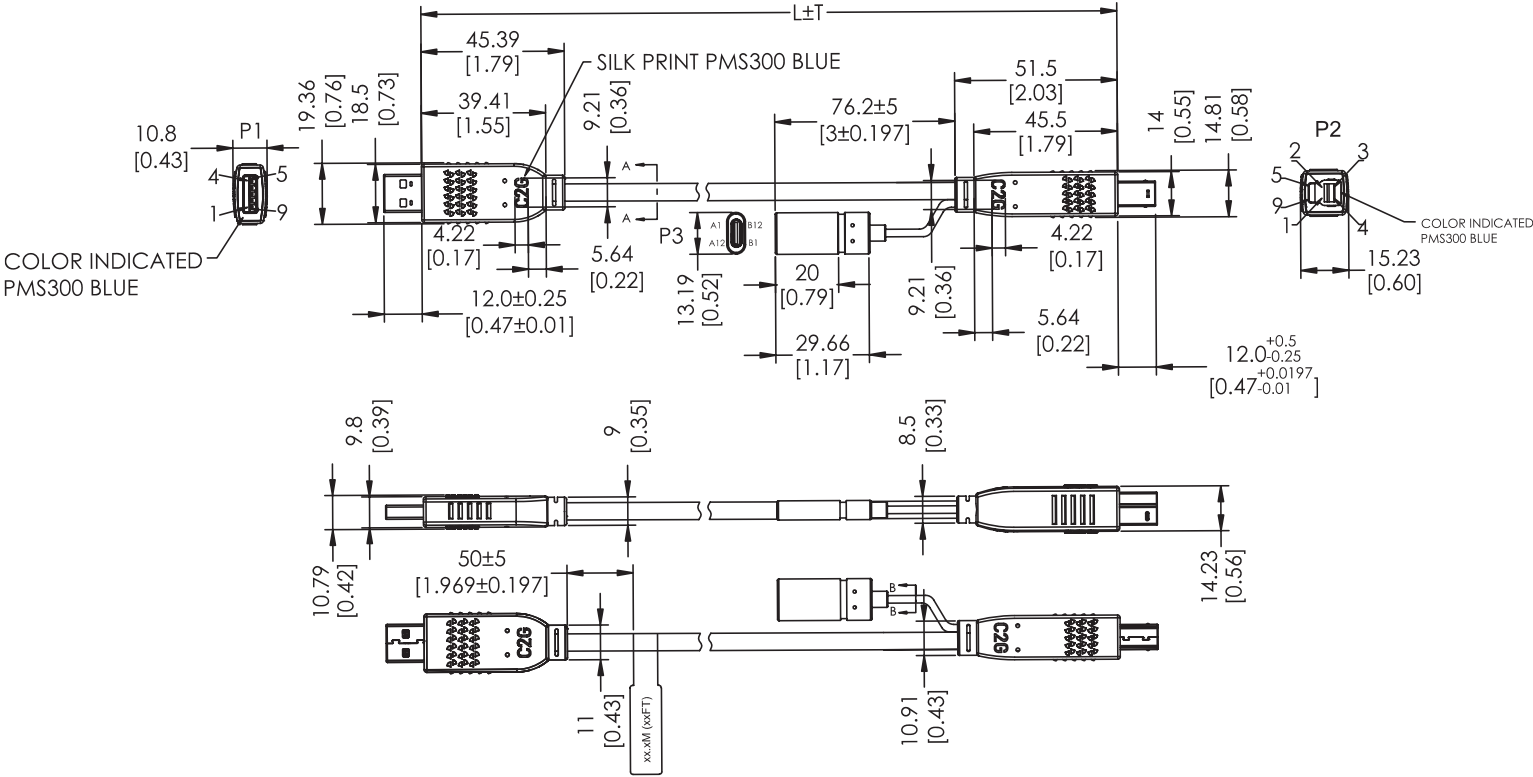
- Supports all USB 3.2 Gen 2 features including data transfer speeds up to 10Gbps and power delivery up to 5W, far beyond passive USB length limitations
- Backward compatible with USB 3.1, 3.0 and 2.0, so it will work with various USB devices
- Plenum CMP rated jacket, so you can safely run the cable inside plenum spaces, meeting the requirements for an installation in a commercial space
- Integrated finger grips on the connectors for easy insertion and removal

ELECTRICAL SPECIFICATIONS

- Supply Voltage: 5V
- Signal Bandwidth:
 - USB 3.2 Gen 2, 10 Gbps
 - USB 2.0, 480 Mbps
- Operation Current: 120MA Type @ 5V
- Power Consumption: 600MW Type @ 5V
- **USB-A Male Connector:**
 - Withstanding Voltage: 100V AC
 - Insulation Resistance: 100MΩ Min
 - Contact Resistance: 30mΩ Max for Pin1/ Pin4; 50mΩ for other Contacts
 - Contact Current Rating: 1.8A for Pin 1/ Pin4; 0.25A for other Contacts
- **USB- B Male Connector:**
 - Withstanding Voltage: 100V AC
 - Insulation Resistance: 100MΩ
 - Current: 1.8A for Ground Pin; 0.25A for other Pins
- **USB-C Pigtail Connector:**
 - Cable Jacket: PVC, Black, .40mm Thickness

PHYSICAL CHARACTERISTICS

- Cable Bend Radius: Min Bend Radius (No Load): 20mm, Min Bend Radius (Under Load): 55mm
- **Connector 1:** USB-A Male, Shell: Nickel Plating Over All, Housing: Blue
 - USB-A Insertion Force: 35N Max; Withdraw Force: 10N Min.
- **Connector 2:** USB-B Male, Contact: Gold Plated, Nickel Plating Over All, Housing: Black
 - USB-C Insertion Force: 5-20N; Withdraw Force: 8-20N
- **Connector 3:** USB-C Female, Power Pigtail
 - Tensile Strength: 6kgf
 - USB-C and Pigtail Connection: 40N
- Outer Jacket: PVC, .55mm Thickness, Black, Rating: CMP
- Operating Temperature: -20°C - 70°C; 30-75% Relative Humidity, Non-Condensing
- Storage Temperature: 25±5°C ; 30-75% Relative Humidity, Non-Condensing
- Cable Marking: USB 3.0 Cable E468039 (UL) CMP c(UL) 75°C
- Product are CE Marked and conforms to FCC/WEEE/ CE/2011/65/EU ROHS2.0
- QC Inspection: 100% Test USB 3.2 Gen 2, 10Gbps, USB 2.0 480Mbps



LEGRAND | AV COMMERCIAL BRANDS

C2G | Chief | Da-Lite | Luxul | Middle Atlantic | Vaddio | Wiremold

SIMPLIFIED CONNECTIVITY

USA 800.506.9607 | c2g.com | legrandav.com | customer-service@c2g.com

EMEA +31 495 580 840 | c2g.com/uk | legrandav.com | c2g.emea@avlegrand.com

©2023 Legrand AV Inc. 230361 Rev B 7/23 C2G is a registered trademark of Legrand AV Inc. All other brand names or marks are used for identification purposes and are trademarks of their respective owners. All patents are protected under existing designations. Other patents pending.