

# Galaxy VM

160–200 kVA 400 V UPS

## Installation

GVMPB160KHS, GVMPB200KHS, GVMSB160KHS, GVMSB200KHS  
2/2019



# Legal Information

The Schneider Electric brand and any registered trademarks of Schneider Electric Industries SAS referred to in this guide are the sole property of Schneider Electric SA and its subsidiaries. They may not be used for any purpose without the owner's permission, given in writing. This guide and its content are protected, within the meaning of the French intellectual property code (Code de la propriété intellectuelle français, referred to hereafter as "the Code"), under the laws of copyright covering texts, drawings and models, as well as by trademark law. You agree not to reproduce, other than for your own personal, noncommercial use as defined in the Code, all or part of this guide on any medium whatsoever without Schneider Electric's permission, given in writing. You also agree not to establish any hypertext links to this guide or its content. Schneider Electric does not grant any right or license for the personal and noncommercial use of the guide or its content, except for a non-exclusive license to consult it on an "as is" basis, at your own risk. All other rights are reserved.

Electrical equipment should be installed, operated, serviced, and maintained only by qualified personnel. No responsibility is assumed by Schneider Electric for any consequences arising out of the use of this material.

As standards, specifications, and designs change from time to time, please ask for confirmation of the information given in this publication.

# Table of Contents

<b>Important Safety Instructions — SAVE THESE</b>	
<b>INSTRUCTIONS</b> .....	5
Electromagnetic Compatibility .....	6
Safety Precautions .....	6
Electrical Safety .....	8
Battery Safety .....	9
<b>Specifications</b> .....	11
Input Specifications .....	11
Bypass Specifications .....	11
Output Specifications .....	12
Battery Specifications .....	12
Requirements for a Third Party Battery Solution .....	13
Guidance for Organizing Battery Cables .....	13
Recommended Cable Sizes .....	13
Required Upstream Breakers .....	14
Torque Specifications .....	14
Environment .....	15
Heat Dissipation .....	15
UPS Weights and Dimensions .....	17
Clearance .....	17
<b>Introduction</b> .....	18
Overview of Configurations .....	18
Overview of Supplied Installation Kits .....	20
Installation Kit 0M-816661 .....	20
Installation Kit 0M-816662 .....	21
Installation Kit 0N-9763 .....	21
Installation Kit 0M-816653 .....	21
Installation Kit 0M-96507 .....	21
Installation Kit 0M-96506 .....	22
Installation Kit 0M-816654 .....	22
Installation Kit 0H-1497 .....	23
Installation Kit 0H-0889 .....	23
<b>Installation Procedure</b> .....	24
Installation Procedure for UPS .....	24
<b>Remove the Cabinets from the Pallet</b> .....	26
Remove the I/O Cabinet from the Pallet .....	26
Remove the Power Cabinets from the Pallet .....	30
<b>Mount the Rear Anchoring Brackets for the I/O Cabinet and the Power Cabinet</b> .....	35
<b>Install the I/O Cabinet</b> .....	36
Position the I/O Cabinet .....	36
Connect Power Cables to the I/O Cabinet .....	38
Prepare for Cables in a Top Cable Entry System .....	38
Prepare for Cables in a Bottom Cable Entry System .....	39
Install Jumper Busbar in 5–Wire Systems .....	40
Convert to a TN-C System .....	42

---

Connect Power Cables in a Single Mains System.....	43
Connect Power Cables in a Dual Mains System .....	46
<b>Install the Power Cabinet.....</b>	<b>51</b>
Mount the Front Anchoring Brackets on the I/O Cabinet and Power Cabinet.....	56
Connect the Communication and Signal Cables between the Power Cabinet and the I/O Cabinet .....	56
<b>Connect PBUS Cables Between Parallel UPS Units .....</b>	<b>62</b>
Connect PBUS Cables Between Parallel UPS Units in Top Cable Entry Systems .....	62
Connect PBUS Cables Between Parallel UPS Units in Bottom Cable Entry Systems.....	63
Prepare the I/O Cabinet for Connection of Signal Cables in Top Cable Entry System.....	66
Prepare the I/O Cabinet for Connection of Signal Cables in Bottom Cable Entry Systems.....	66
Connect Signal Cables for Monitoring the MBB in a 1+1 Redundant Parallel System .....	68
<b>Connect Signal Cables between the I/O Cabinet and Optional Equipment.....</b>	<b>74</b>
Connect the Emergency Power Off (EPO) .....	74
Connect External Synchronization .....	75
Basic UPS Synchronization to a Fixed Voltage Source Diagram .....	77
Dual UPS Synchronization with Floating Synchronization Master Diagram .....	78
Fixed Parallel Synchronization Master Diagram .....	79
Connect Equipment to the Input Contacts and the Output Relays .....	79
Overview of Input Contacts and Output Relays.....	81
<b>External Communication.....</b>	<b>82</b>
Modbus Wiring .....	82
Modbus Dip Switch Settings .....	83

# Important Safety Instructions — SAVE THESE INSTRUCTIONS

Read these instructions carefully and look at the equipment to become familiar with it before trying to install, operate, service or maintain it. The following safety messages may appear throughout this manual or on the equipment to warn of potential hazards or to call attention to information that clarifies or simplifies a procedure.



The addition of this symbol to a “Danger” or “Warning” safety message indicates that an electrical hazard exists which will result in personal injury if the instructions are not followed.



This is the safety alert symbol. It is used to alert you to potential personal injury hazards. Obey all safety messages with this symbol to avoid possible injury or death.

## DANGER

**DANGER** indicates a hazardous situation which, if not avoided, **will result in death or serious injury.**

**Failure to follow these instructions will result in death or serious injury.**

## WARNING

**WARNING** indicates a hazardous situation which, if not avoided, **could result in death or serious injury.**

**Failure to follow these instructions can result in death, serious injury, or equipment damage.**

## CAUTION

**CAUTION** indicates a hazardous situation which, if not avoided, **could result in minor or moderate injury.**

**Failure to follow these instructions can result in injury or equipment damage.**

## NOTICE

**NOTICE** is used to address practices not related to physical injury. The safety alert symbol shall not be used with this type of safety message.

**Failure to follow these instructions can result in equipment damage.**

## Please Note

Electrical equipment should only be installed, operated, serviced, and maintained by qualified personnel. No responsibility is assumed by Schneider Electric for any consequences arising out of the use of this material.

A qualified person is one who has skills and knowledge related to the construction, installation, and operation of electrical equipment and has received safety training to recognize and avoid the hazards involved.

## Electromagnetic Compatibility

### **NOTICE**

#### **RISK OF ELECTROMAGNETIC DISTURBANCE**

This is a product Category C3 according to IEC 62040-2. This is a product for commercial and industrial applications in the second environment - installation restrictions or additional measures may be needed to prevent disturbances. The second environment includes all commercial, light industry, and industrial locations other than residential, commercial, and light industrial premises directly connected without intermediate transformer to a public low-voltage mains supply. The installation and cabling must follow the electromagnetic compatibility rules, e.g.:

- the segregation of cables,
- the use of shielded or special cables when relevant,
- the use of grounded metallic cable tray and supports.

**Failure to follow these instructions can result in equipment damage.**

## Safety Precautions

### **⚠ DANGER**

#### **HAZARD OF ELECTRIC SHOCK, EXPLOSION, OR ARC FLASH**

All safety instructions in this document must be read, understood and followed.

**Failure to follow these instructions will result in death or serious injury.**

### **⚠ DANGER**

#### **HAZARD OF ELECTRIC SHOCK, EXPLOSION, OR ARC FLASH**

Read all instructions in the Installation Manual before installing or working on this UPS system.

**Failure to follow these instructions will result in death or serious injury.**

### **⚠ DANGER**

#### **HAZARD OF ELECTRIC SHOCK, EXPLOSION, OR ARC FLASH**

Do not install the UPS system until all construction work has been completed and the installation room has been cleaned.

**Failure to follow these instructions will result in death or serious injury.**

### **⚠ DANGER**

#### **HAZARD OF ELECTRIC SHOCK, EXPLOSION, OR ARC FLASH**

- The product must be installed according to the specifications and requirements as defined by Schneider Electric. It concerns in particular the external and internal protections (upstream breakers, battery breakers, cabling, etc.) and environmental requirements. No responsibility is assumed by Schneider Electric if these requirements are not respected.
- After the UPS system has been electrically wired, do not start up the system. Start-up must only be performed by Schneider Electric.

**Failure to follow these instructions will result in death or serious injury.**

## **⚠ DANGER**

### **HAZARD OF ELECTRIC SHOCK, EXPLOSION, OR ARC FLASH**

The UPS system must be installed according to local and national regulations. Install the UPS according to:

- IEC 60364 (including 60364–4–41 - protection against electric shock, 60364–4–42 - protection against thermal effect, and 60364–4–43 - protection against overcurrent), or
- NEC NFPA 70, or
- Canadian Electrical Code (C22.1, Part 1)

depending on which one of the standards apply in your local area.

**Failure to follow these instructions will result in death or serious injury.**

## **⚠ DANGER**

### **HAZARD OF ELECTRIC SHOCK, EXPLOSION, OR ARC FLASH**

- Install the UPS system in a temperature controlled indoor environment free of conductive contaminants and humidity.
- Install the UPS system on a non-flammable, level and solid surface (e.g. concrete) that can support the weight of the system.

**Failure to follow these instructions will result in death or serious injury.**

## **⚠ DANGER**

### **HAZARD OF ELECTRIC SHOCK, EXPLOSION, OR ARC FLASH**

The UPS is not designed for and must therefore not be installed in the following unusual operating environments:

- Damaging fumes
- Explosive mixtures of dust or gases, corrosive gases, or conductive or radiant heat from other sources
- Moisture, abrasive dust, steam or in an excessively damp environment
- Fungus, insects, vermin
- Salt-laden air or contaminated cooling refrigerant
- Pollution degree higher than 2 according to IEC 60664-1
- Exposure to abnormal vibrations, shocks, and tilting
- Exposure to direct sunlight, heat sources, or strong electromagnetic fields

**Failure to follow these instructions will result in death or serious injury.**

## **⚠ DANGER**

### **HAZARD OF ELECTRIC SHOCK, EXPLOSION, OR ARC FLASH**

Do not drill or cut holes for cables or conduits with the gland plates installed and do not drill or cut holes in close proximity to the UPS.

**Failure to follow these instructions will result in death or serious injury.**

## **⚠ WARNING**

### **HAZARD OF ARC FLASH**

Do not make mechanical changes to the product (including removal of cabinet parts or drilling/cutting of holes) that are not described in the Installation Manual.

**Failure to follow these instructions can result in death, serious injury, or equipment damage.**

**NOTICE****RISK OF OVERHEATING**

Respect the space requirements around the UPS system and do not cover the product's ventilation openings when the UPS system is in operation.

**Failure to follow these instructions can result in equipment damage.**

**NOTICE****RISK OF EQUIPMENT DAMAGE**

Do not connect the UPS output to regenerative load systems including photovoltaic systems and speed drives.

**Failure to follow these instructions can result in equipment damage.**

**Electrical Safety****⚠ DANGER****HAZARD OF ELECTRIC SHOCK, EXPLOSION, OR ARC FLASH**

- Electrical equipment must be installed, operated, serviced, and maintained only by qualified personnel.
- Apply appropriate personal protective equipment (PPE) and follow safe electrical work practices.
- Turn off all power supplying the UPS system before working on or inside the equipment.
- Before working on the UPS system, check for hazardous voltage between all terminals including the protective earth.
- The UPS contains an internal energy source. Hazardous voltage can be present even when disconnected from the mains supply. Before installing or servicing the UPS system, ensure that the units are OFF and that mains and batteries are disconnected. Wait five minutes before opening the UPS to allow the capacitors to discharge.
- The UPS must be properly earthed/grounded and due to a high leakage current, the earthing/grounding conductor must be connected first.

**Failure to follow these instructions will result in death or serious injury.**

**⚠ DANGER****HAZARD OF ELECTRIC SHOCK, EXPLOSION, OR ARC FLASH**

In systems where backfeed protection is not part of the standard design, an automatic isolation device (backfeed protection option or other device meeting the requirements of IEC/EN 62040–1 or UL 1778 5th Edition – depending on which of the two standards apply to your local area) must be installed to prevent hazardous voltage or energy at the input terminals of the isolation device. The device must open within 15 seconds after the upstream power supply fails and must be rated according to the specifications.

**Failure to follow these instructions will result in death or serious injury.**

When the UPS input is connected through external isolators that, when opened, isolate the neutral or when the automatic backfeed isolation is provided external to the equipment or is connected to an IT power distribution system, a label must be fitted at the UPS input terminals, and on all primary power isolators installed remote from the UPS area and on external access points between such isolators and the UPS, by the user, displaying the following text (or equivalent in a language which is acceptable in the country in which the UPS system is installed):



**⚠ DANGER**

**HAZARD OF ELECTRIC SHOCK, EXPLOSION, OR ARC FLASH**

Risk of Voltage Backfeed. Before working on this circuit: Isolate the UPS and check for hazardous voltage between all terminals including the protective earth.

**Failure to follow these instructions will result in death or serious injury.**

**Battery Safety**

**⚠ DANGER**

**HAZARD OF ELECTRIC SHOCK, EXPLOSION, OR ARC FLASH**

- Battery circuit breakers must be installed according to the specifications and requirements as defined by Schneider Electric.
- Servicing of batteries must only be performed or supervised by qualified personnel knowledgeable of batteries and the required precautions. Keep unqualified personnel away from batteries.
- Disconnect charging source prior to connecting or disconnecting battery terminals.
- Do not dispose of batteries in a fire as they can explode.
- Do not open, alter, or mutilate batteries. Released electrolyte is harmful to the skin and eyes. It may be toxic.

**Failure to follow these instructions will result in death or serious injury.**

**⚠ DANGER**

**HAZARD OF ELECTRIC SHOCK, EXPLOSION, OR ARC FLASH**

Batteries can present a risk of electric shock and high short-circuit current. The following precautions must be observed when working on batteries

- Remove watches, rings, or other metal objects.
- Use tools with insulated handles.
- Wear protective glasses, gloves and boots.
- Do not lay tools or metal parts on top of batteries.
- Disconnect the charging source prior to connecting or disconnecting battery terminals.
- Determine if the battery is inadvertently grounded. If inadvertently grounded, remove source from ground. Contact with any part of a grounded battery can result in electric shock. The likelihood of such shock can be reduced if such grounds are removed during installation and maintenance (applicable to equipment and remote battery supplies not having a grounded supply circuit).

**Failure to follow these instructions will result in death or serious injury.**

**⚠ DANGER**

**HAZARD OF ELECTRIC SHOCK, EXPLOSION, OR ARC FLASH**

When replacing batteries, always replace with the same type and number of batteries or battery packs.

**Failure to follow these instructions will result in death or serious injury.**

## ***NOTICE***

### **RISK OF EQUIPMENT DAMAGE**

- Wait until the system is ready to be powered up before installing batteries in the system. The time duration from battery installation until the UPS system is powered up must not exceed 72 hours or 3 days.
- Batteries must not be stored more than six months due to the requirement of recharging. If the UPS system remains de-energized for a long period, Schneider Electric recommends that you energize the UPS system for a period of 24 hours at least once every month. This charges the batteries, thus avoiding irreversible damage.

**Failure to follow these instructions can result in equipment damage.**

# Specifications

## Input Specifications

	160 kVA				200 kVA			
<b>Input Voltage (V)</b>	<b>380</b>	<b>400</b>	<b>415</b>	<b>440</b>	<b>380</b>	<b>400</b>	<b>415</b>	<b>440</b>
Connections	4–wire (L1, L2, L3, PE)							
Voltage range (V)	320–600 <sup>1</sup>							
Frequency range (Hz)	40 - 70							
Nominal input current (A)	230	219	211	199	288	273	263	250
Maximum input current (A)	278	262	253	238	345	328	316	298
Input current limitation (A)	278				347			
Input power factor	> 0.99 at load > 40% > 0.97 at load > 25%							
Total harmonic distortion (THDI)	<3% at 100% load <4% at 50% load <6% at 25% load							
Maximum input short-circuit withstand (kA) I <sub>cc</sub>	Rated conditional short–circuit current I <sub>cc</sub> : 65 kA Rated peak withstand current I <sub>pk</sub> : I <sub>cc</sub> x 2.2 Device: Refer to <i>Required Upstream Breakers</i> , page 14							
Protection	Built-in backfeed contactor							
Ramp-in	Adaptive 1 - 40 sec							

## Bypass Specifications

**NOTE:** Bypass is inoperable when the system is configured as a frequency converter.

	160 kVA				200 kVA			
<b>Bypass Voltage (V)</b>	<b>380</b>	<b>400</b>	<b>415</b>	<b>440</b>	<b>380</b>	<b>400</b>	<b>415</b>	<b>440</b>
Connections	5–wire (L1, L2, L3, N, PE) 4–wire (L1, L2, L3, PE)							
Voltage range (V)	342–457							
Frequency (Hz)	50 or 60							
Frequency range (Hz)	Programmable: +/-0.1, +/-3, +/-10. Default is +/-3.							
Nominal bypass current (A)	243	231	223	210	304	289	278	262
Thyristor I <sup>2</sup> t (kA*s <sup>2</sup> )	305.8 <sup>2</sup>							
Protection	Built-in backfeed contactor							

1. The system can operate at 600 V for 1 minute.
2. If this value is exceeded, the thyristors can short.

## Output Specifications

	160 kVA				200 kVA			
Output Voltage (V)	380	400	415	440	380	400	415	440
Connections	5–wire (L1, L2, L3, N, PE) 4–wire (L1, L2, L3, PE)							
Overload capacity <sup>3</sup>	150% for 1 minute (normal operation) at 40 °C 125% for 10 minutes (normal operation) at 40 °C 150% for 1 second (battery operation) at 40 °C 125% for 1 minute (battery operation) at 40 °C 1000% for 100 ms (bypass operation) at 40 °C							
Output voltage tolerance	Symmetric load (0–100%): +/- 1% static +/- 5% after 2 ms +/- 1% after 50 ms							
Output power factor	0.9							
Nominal output current (A)	243	231	223	210	304	289	278	263
Total harmonic distortion (THDU)	<2% at 100% linear load <3% at 100% non–linear load							
Output frequency (Hz)	50/60 (sync to bypass) 50/60 Hz +/-0.1% (free-running)							
Slew rate (Hz/sec)	Programmable: 0.25, 0.5, 1, 2, 4, 6							
Output performance classification (according to IEC/EN62040-3)	Double-conversion: VFI-SS-111							
Load crest factor	Up to 3 (THDU < 5%)							
Load power factor	0.7 leading to 0.5 lagging without derating							

## Battery Specifications

	160 kVA	200 kVA
Connections	DC+, DC-, PE	
Charging power in % of output power	40% charge ≤ 80% load 20% charge ≤ 100% load	
Nominal battery voltage (VDC)	480	
Nominal float voltage (VDC)	545	
End of discharge voltage (full load) (VDC)	384	
End of discharge voltage (no load) (VDC)	420	
Battery current at full load and nominal battery voltage (A)	314	393
Battery current at full load and minimum battery voltage (A)	393	491
Recharge time to 90% charge	< 20 hours for a 4 hour battery bank	
Temperature compensation	-3.3 mV per °C for T ≥ 25 °C 0 mV per °C for T < 25 °C	
Ripple current	< 5% C20 (5 minutes backup time)	
Battery test	Programmable: Manual/automatic	
Deep discharge protection	Yes	

3. Overload capabilities are not available when the system is configured as a frequency converter

	160 kVA	200 kVA
Recharge according to battery temperature	Yes	
Cold start	Yes	

### Requirements for a Third Party Battery Solution

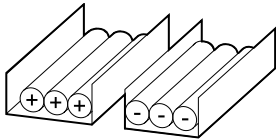
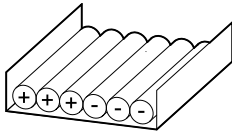
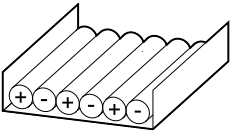
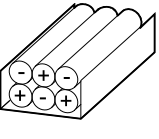
Battery breaker boxes from Schneider Electric are recommended for the battery interface. Please contact Schneider Electric for more information.

### Guidance for Organizing Battery Cables

**NOTE:** For 3rd party batteries, use only high rate batteries for UPS applications.

**NOTE:** When the battery bank is placed remotely, the organizing of the cables is important to reduce voltage drop and inductance. The distance between the battery bank and the UPS must not exceed 200 m (656 ft). Contact Schneider Electric for installations with a longer distance.

**NOTE:** To minimize the risk of electromagnetic radiation, it is highly recommended to follow the below guidance and to use grounded metallic tray supports.

Cable Length				
<30 m	Not recommended	Acceptable	Recommended	Recommended
31–75 m	Not recommended	Not recommended	Acceptable	Recommended
76–150 m	Not recommended	Not recommended	Acceptable	Recommended
151–200 m	Not recommended	Not recommended	Not recommended	Recommended

### Recommended Cable Sizes

Cable sizes in this manual are based on table 52–C2 of IEC 60364–5–52 with the following assertions:

- 90 °C conductors
- An ambient temperature of 30 °C
- Use of copper conductors

If the ambient temperature is greater than 30 °C, larger conductors are to be selected in accordance with the correction factors of the IEC.

### 160 kVA System

Installation Method	B1 (mm) <sup>2</sup>	B2 (mm) <sup>2</sup>	C (mm) <sup>2</sup>
Input	2 x 70 mm <sup>2</sup>	2 x 95 mm <sup>2</sup>	2 x 50 mm <sup>2</sup>
Bypass	2 x 70 mm <sup>2</sup>	2 x 70 mm <sup>2</sup>	1 x 95 mm <sup>2</sup>
Output	2 x 70 mm <sup>2</sup>	2 x 70 mm <sup>2</sup>	1 x 95 mm <sup>2</sup>
Battery	2 x 70 mm <sup>2</sup>	3 x 70 mm <sup>2</sup>	2 x 70 mm <sup>2</sup>

## 200 kVA System

Installation Method	B1 (mm) <sup>2</sup>	B2 (mm) <sup>2</sup>	C (mm) <sup>2</sup>
Input	2 x 95 mm <sup>2</sup>	2 x 120 mm <sup>2</sup>	2 x 70 mm <sup>2</sup>
Bypass	2 x 70 mm <sup>2</sup>	2 x 95 mm <sup>2</sup>	1 x 120 mm <sup>2</sup>
Output	2 x 70 mm <sup>2</sup>	2 x 95 mm <sup>2</sup>	1 x 120 mm <sup>2</sup>
Battery	2 x 120 mm <sup>2</sup>	3 x 95 mm <sup>2</sup>	2 x 95 mm <sup>2</sup>

## Required Upstream Breakers

**⚠ DANGER**

**HAZARD OF ELECTRIC SHOCK, EXPLOSION OR ARC FLASH**

The specified upstream breakers below are required to obtain the conditional short-circuit current rating, I<sub>cc</sub> at 65 kA symmetrical rms.

**Failure to follow these instructions will result in death or serious injury.**

	160 kVA		200 kVA	
	Input	Bypass <sup>4</sup>	Input	Bypass <sup>4</sup>
Breaker	NSX400H Mic2.3	NSX400H Mic2.3	NSX400H Mic2.3	NSX400H Mic2.3
Rating (A)	400	400	400	400
I <sub>o</sub> (A)	280	250	360	320
I <sub>r</sub> (x I <sub>o</sub> )	1	1	1	1
I <sub>sd</sub> (X I <sub>r</sub> )	1.5–10	8	1.5–10	8

## Torque Specifications

Bolt size	Torque
M4	1.7 Nm (1.25 lb-ft)
M5	2.5 Nm (1.84 lb-ft)
M6	5 Nm (3.69 lb-ft)
M8	17.5 Nm (12.91 lb-ft)
M10	30 Nm (22 lb-ft)
M12	50 Nm (36.87 lb-ft)
M14	75 Nm (55.31 lb-ft)

4. Only applicable to dual mains systems.

## Environment

**⚠ DANGER**

**HAZARD OF ELECTRIC SHOCK, EXPLOSION OR ARC FLASH**

- Install the UPS system in a temperature controlled environment free of conductive contaminants and humidity.
- Install the UPS system on a non-flammable, level and solid surface (e.g. concrete) that can support the weight of the system.
- No responsibility is assumed by Schneider Electric if these requirements are not respected.

**Failure to follow these instructions will result in death or serious injury.**

	Operation	Storage
Temperature	0 °C to 40 °C	-15 °C to 40 °C for systems with batteries -25 °C to 55 °C for systems without batteries
Relative humidity	0-95% non-condensing	0-95% non-condensing
Altitude derating according to IEC 62040–3	1000 m: 1.000 1500 m: 0.975 2000 m: 0.950 2500 m: 0.925 3000 m: 0.900	≤ 5000 m above sea-level (or in an environment with equivalent air pressure)
Audible noise (1 meter from surface)	55 dBA at 70% load and 40 °C 65 dBA at 100% load and 40 °C	
Protection class	IP20	
Color	RAL 9003 White	

## Heat Dissipation

**NOTE:** The maximum air flow through the UPS at highest fan speed is 3600 m<sup>3</sup>/h.

### Heat Dissipation for 160 kVA Systems

Operation Mode	Normal Operation		ECO Mode		ECOConversion		Battery Operation	
	W	BTU/hr	W	BTU/hr	W	BTU/hr	W	BTU/hr
Heat dissipation at 100% load	6157	21006	1015	3464	1308	4462	6000	20472
Heat dissipation at 75% load	4149	14158	871	2972	1201	4099	4033	13761
Heat dissipation at 50% load	2689	9174	801	2732	1096	3741	2611	8910
Heat dissipation at 25% load	1618	5519	623	2124	999	3408	1190	4061

### Heat Dissipation for 200 kVA Systems

Operation Mode	Normal Operation		ECO Mode		ECOversion		Battery Operation	
	W	BTU/hr	W	BTU/hr	W	BTU/hr	W	BTU/hr
Heat dissipation at 100% load	8088	27595	1269	4329	1818	6204	7500	25590
Heat dissipation at 75% load	5333	18195	1089	3715	1364	4653	5042	17202
Heat dissipation at 50% load	3361	11468	817	2789	1278	4360	3264	11138
Heat dissipation at 25% load	1924	6564	639	2180	1107	3776	1488	5076



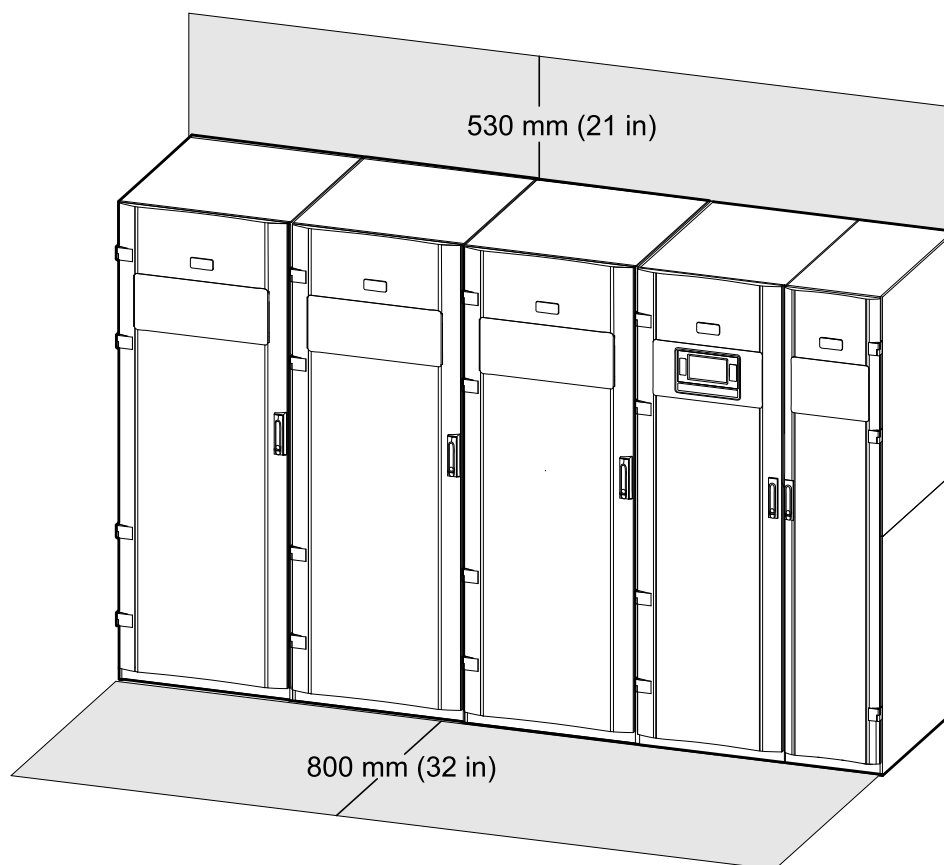
## UPS Weights and Dimensions

	Weight kg	Height mm	Width mm	Depth mm
160 kVA UPS (GVMSB160KHS) Power cabinet I/O cabinet	469 230	1970	1052	854
200 kVA UPS (GVMSB200KHS) Power cabinet I/O cabinet	494 230	1970	1052	854
160 kVA parallel UPS (GVMPB160KHS) Power cabinet I/O cabinet	469 230	1970	1052	854
200 kVA parallel UPS (GVMPB200KHS) Power cabinet I/O cabinet	494 230	1970	1052	854

## Clearance

**NOTE:** Clearance dimensions are published for airflow and service access only. Consult with the local safety codes and standards for additional requirements in your local area.

**NOTE:** The UPS system can be placed up against the wall and there is no requirement for rear or side access.



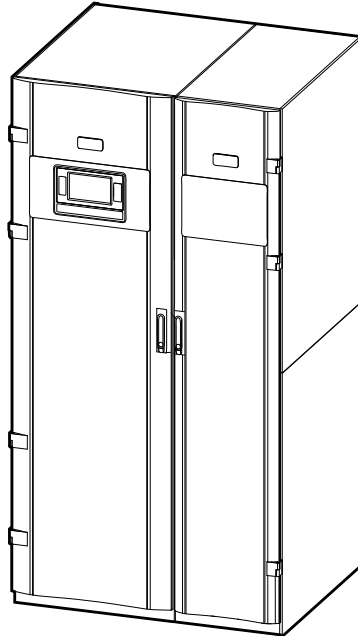
# Introduction

The UPS is the core in each Galaxy VM system and consists of two cabinets:

- An I/O cabinet for field wiring which contains system breakers/switches.
- A power cabinet which contains power electronics and the user interface.

The cabinets must be placed with the I/O cabinet to the right.

## Front View of the UPS



The Galaxy VM system also consists of the three battery solutions:

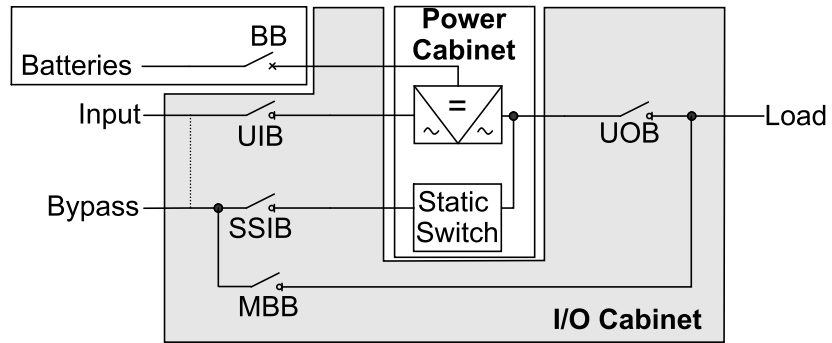
- Galaxy VM modular battery cabinets
- Galaxy VM classic battery cabinets
- Galaxy VM battery breaker box for third party batteries

**NOTE:** For information on how to install the battery solutions, refer to the installation manual supplied with the battery solution.

## Overview of Configurations

UIB	Unit input switch
SSIB	Static switch input switch
BB	Battery breaker
MBB	Maintenance bypass breaker
UOB	Unit output switch
SIB	System isolation breaker

### Single System



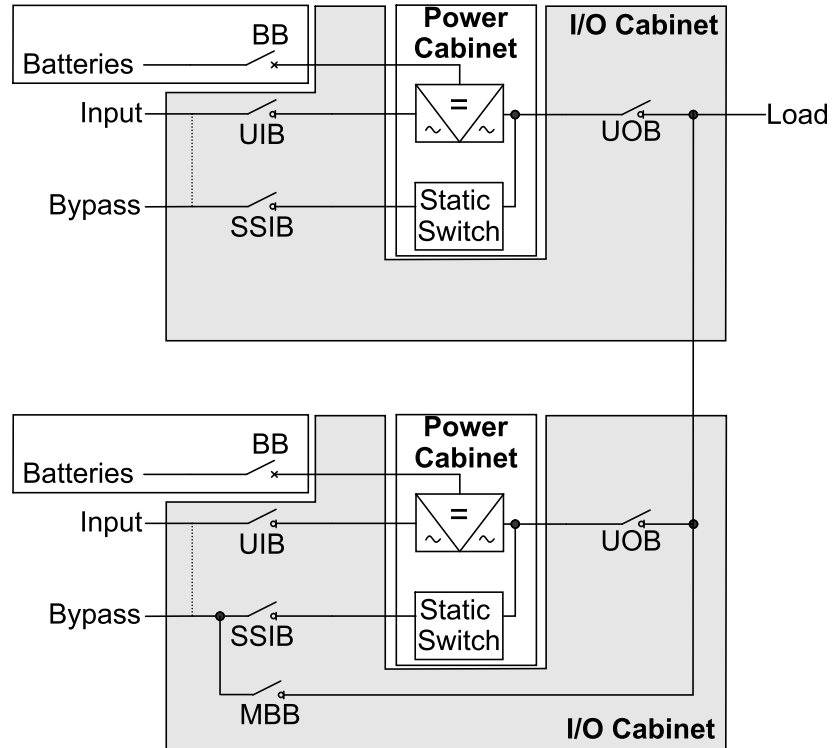
### 1+1 Redundant Parallel System

**NOTICE**

**HAZARD OF EQUIPMENT DAMAGE**

The cable length for bypass cables and output cables must be the same for all parallel UPS units to ensure correct load sharing in bypass operation. In parallel systems with single mains all input cables must be the same length.

**Failure to follow these instructions can result in equipment damage.**



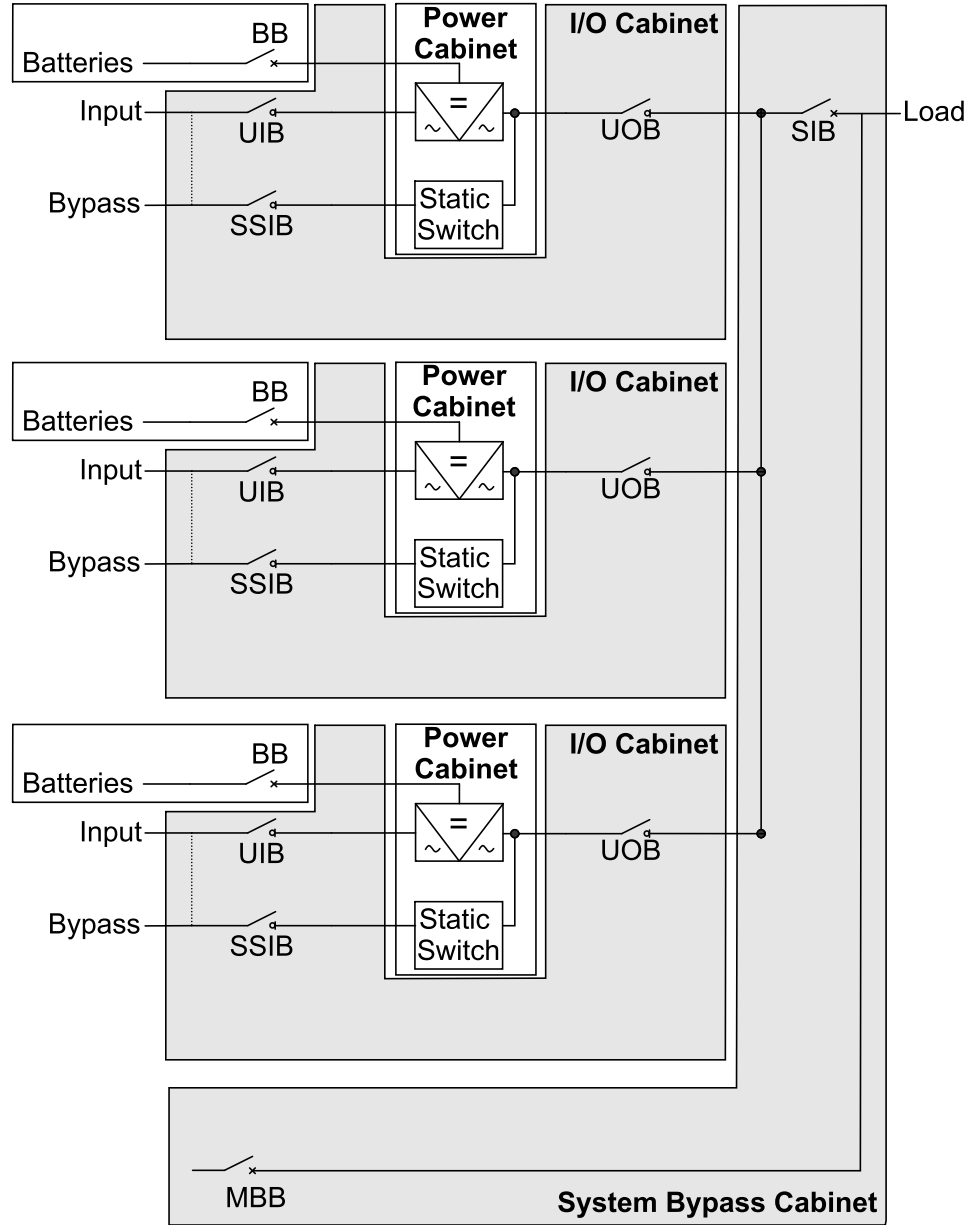
### Parallel System

**NOTICE**

**HAZARD OF EQUIPMENT DAMAGE**

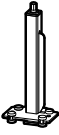
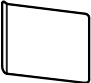
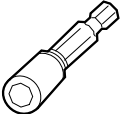
The cable length for bypass cables and output cables must be the same for all parallel UPS units to ensure correct load sharing in bypass operation. In parallel systems with single mains all input cables must be the same length.

**Failure to follow these instructions can result in equipment damage.**

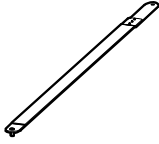


## Overview of Supplied Installation Kits

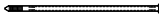


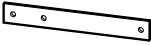

### Installation Kit 0M-816661

Part	Used in	Number of units
Jack	<i>Remove the Cabinets from the Pallet, page 26</i>	1 
Floor protection plate		1 
Hexagonal socket for drilling machine		1 

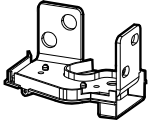
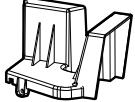
### Installation Kit 0M-816662

Part	Used in	Number of Units
Crossbar 0M-815835	<i>Install the I/O Cabinet, page 36</i>	1 

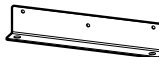
### Installation Kit 0N-9763

Part	Used in	Number of Units
Cable ties for signal cables	<i>Connect the Communication and Signal Cables between the Power Cabinet and the I/O Cabinet, page 56</i>	50 
Cable reliefs	<i>Connect Power Cables in a Single Mains System, page 43 or Connect Power Cables in a Dual Mains System, page 46</i>	16 
Cable ties for power cables		100 
Jumper busbar	<i>Install Jumper Busbar in 5-Wire Systems, page 40</i>	1 
M8 nut with washer		3 


### Installation Kit 0M-816653

Part	Used in	Number of Units
Interconnection busbar	<i>Install the Power Cabinet, page 51</i>	12 
Busbar protection		12 




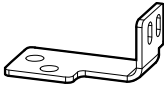
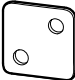


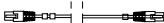
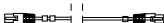

### Installation Kit 0M-96507


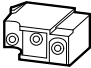
Part	Used in	Number of Units
Front anchoring bracket for I/O cabinet	<i>Mount the Front Anchoring Brackets on the I/O Cabinet and Power Cabinet, page 56</i>	1 

### Installation Kit 0M-96506

Part	Used in	Number of Units
Front anchoring bracket for power cabinet	<i>Mount the Front Anchoring Brackets on the I/O Cabinet and Power Cabinet, page 56</i>	1 

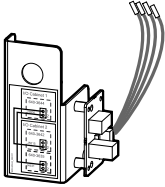
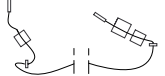
### Installation Kit 0M-816654

Part	Used in	Number of Units
Top baying bracket	<i>Install the Power Cabinet, page 51</i>	1 
M8 nut with washer		30 
M6 x 16 mm torx screw with washer		2 
Grounding busbar		1 
Tolerance busbar		13 
10 mm threaded torx screw		12 
M8 x 20 mm hexagonal torx with washer		28 
1 mm leveling shims		<i>Mount the Rear Anchoring Brackets for the I/O Cabinet and the Power Cabinet, page 35, Position the I/O Cabinet, page 36, and Install the Power Cabinet, page 51</i>
PBUS 1 cable 0W7980	<i>Connect the Communication and Signal Cables between the Power Cabinet and the I/O Cabinet, page 56</i>	1 
PBUS 2 cable 0W7982		1 
ABUS cable 0W7989		1 

Part	Used in	Number of Units
Temperature sensor 0M-1160	Refer to the installation manual for your specific battery solution for information on how to install and connect the temperature sensor.	1 
Auxiliary switch	<i>Connect Signal Cables for Monitoring the MBB in a 1+1 Redundant Parallel System, page 68</i>	1 

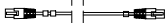
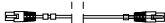
## Installation Kit 0H-1497

**NOTE:** This kit is supplied with parallel UPSs only.

Part	Used in	Number of Units
Bracket assembly	<i>Connect Signal Cables for Monitoring the MBB in a 1+1 Redundant Parallel System, page 68</i>	1 
Jumper cable 0W98737		1 





## Installation Kit 0H-0889

**NOTE:** This kit is supplied with parallel UPSs only.

Part	Used in	Number of Units
PBUS 1 cable 0W7995	<i>Connect PBUS Cables Between Parallel UPS Units, page 62</i>	1 
PBUS 2 cable 0W7996		1 

# Installation Procedure

For the installation procedures below, these symbols have been used:

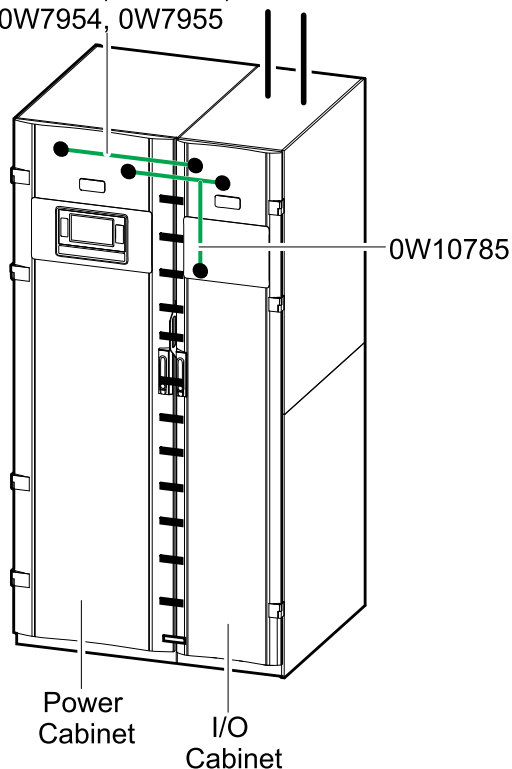
-  Power cables
-  Signal cables
-  Busbar connection
-  Protective earth (PE) busbar connection

## Installation Procedure for UPS

**NOTE:** If an IP32 kit is part of the installation, the IP32 kit must be installed before placing the UPS up against the wall.

### Overview of Busbar, Signal Cable and Power Cable Connections

0W7980, 0W7982, 0W7989, 0W7951,  
0W7952, 0W7953, 0W7954, 0W7955



1. Remove the Cabinets from the Pallet, page 26.
2. Mount the Rear Anchoring Brackets for the I/O Cabinet and the Power Cabinet, page 35.
3. Install the I/O Cabinet, page 36.
4. Prepare for cables. Follow one of the procedures:
  - Prepare for Cables in a Top Cable Entry System, page 38.
  - Prepare for Cables in a Bottom Cable Entry System, page 39.
5. In 5–wire systems only: Install Jumper Busbar in 5–Wire Systems, page 40.
6. In TN-C systems only: Convert to a TN-C System, page 42.



7. Connect power cables. Follow one of the procedures:
  - *Connect Power Cables in a Single Mains System, page 43.*
  - *Connect Power Cables in a Dual Mains System, page 46.*
8. *Install the Power Cabinet, page 51.*
9. *Mount the Front Anchoring Brackets on the I/O Cabinet and Power Cabinet, page 56.*
10. *Connect the Communication and Signal Cables between the Power Cabinet and the I/O Cabinet, page 56.*
11. In parallel systems: Connect PBUS cables between parallel UPS units. Follow:
  - *Connect PBUS Cables Between Parallel UPS Units in Top Cable Entry Systems, page 62.*
  - *Connect PBUS Cables Between Parallel UPS Units in Bottom Cable Entry Systems, page 63.*
12. In 1+1 systems only: *Connect Signal Cables for Monitoring the MBB in a 1+1 Redundant Parallel System, page 68.*
13. Option: *Connect Signal Cables between the I/O Cabinet and Optional Equipment, page 74.*

# Remove the Cabinets from the Pallet

## Remove the I/O Cabinet from the Pallet

### NOTICE

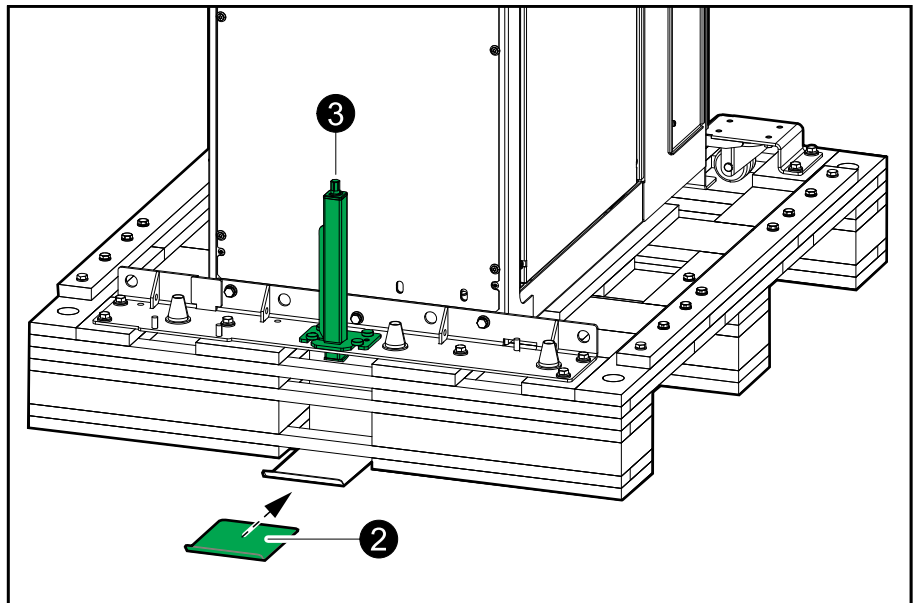
#### HAZARD OF EQUIPMENT DAMAGE

Ensure that the floor is level and can support the weight of the jack when it carries the cabinet.

**Failure to follow these instructions can result in equipment damage.**

1. Take the installation kit 0M-816661 shipped on the I/O cabinet pallet.
2. Place the floor protection plate under the pallet on the rear of the cabinet.

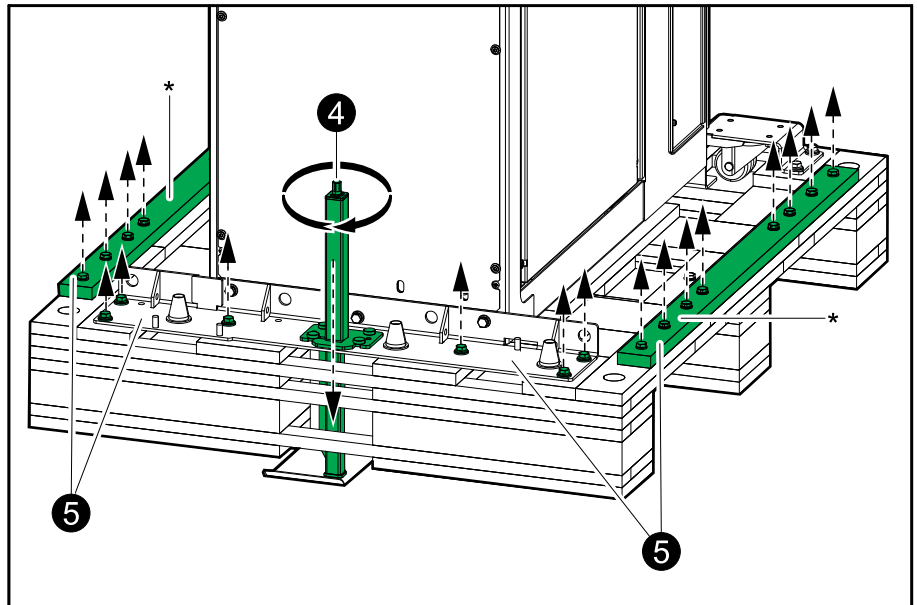
#### Rear View of the I/O Cabinet



3. Place the jack from the installation kit in the hole in the transport bracket on the rear of the cabinet.

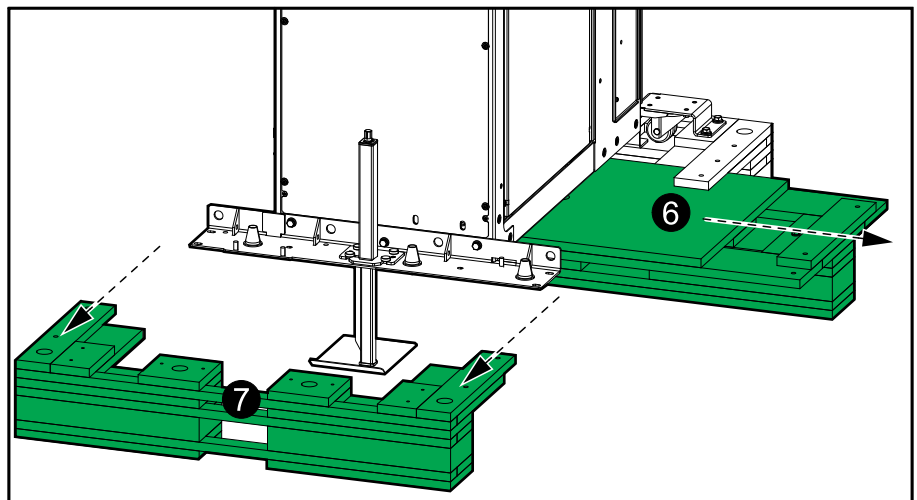
- Use a drilling machine with the provided hexagonal socket to activate the jack, slide it into position in the bracket, and to lift the pallet to the top position.

#### Rear View of the I/O Cabinet



- Loosen and remove the bolts shown on the drawing that attach the transport bracket and the wooden plates to the pallet. Save the pallet parts marked with \* for step 8.
- Remove the middle pallet part.

#### Rear View of the I/O Cabinet



### ⚠ WARNING

#### HAZARD OF SERIOUS INJURY

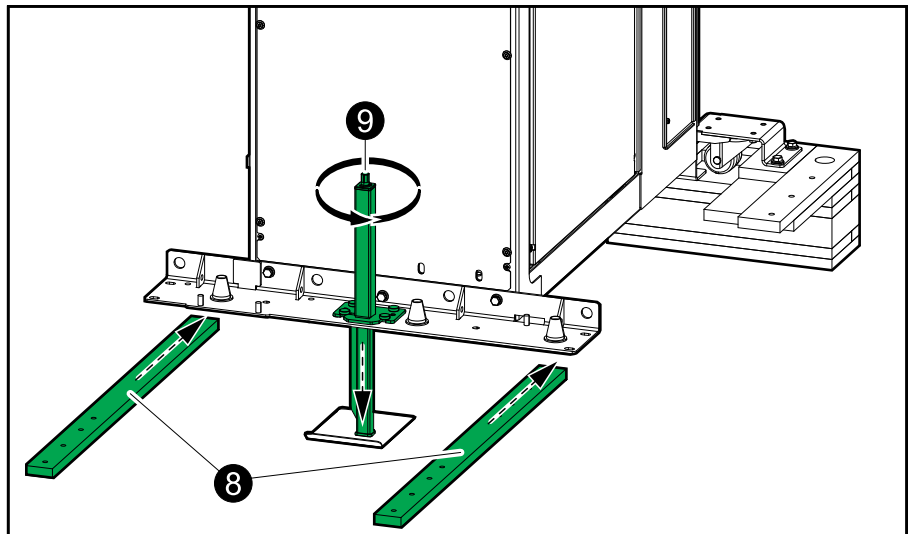
Do not put your hands or feet under the pallet while removing the wooden side part.

**Failure to follow these instructions can result in death, serious injury, or equipment damage.**

- Remove the rear pallet part.

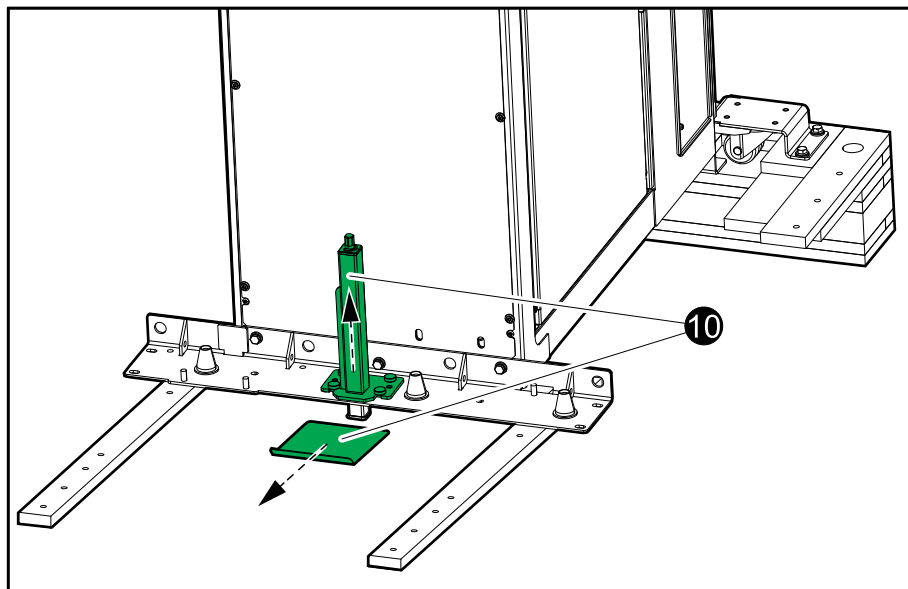
- Place the pallet parts from step 5 as a support under the metal bracket.

#### Rear View of the I/O Cabinet



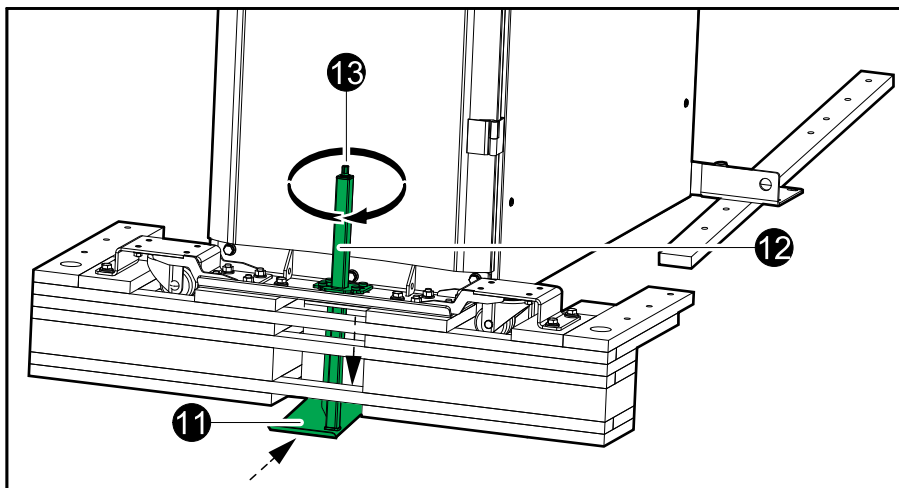
- Lower the cabinet down onto the support using the jack and the drilling machine.
- Remove the floor protection plate and the jack.

#### Rear View of the I/O Cabinet



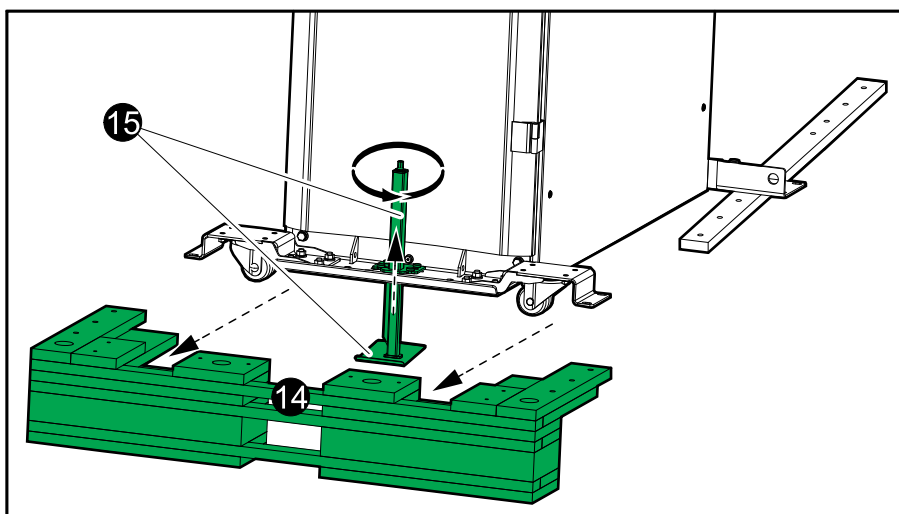
- Place the floor protection plate under the pallet on the front of the cabinet.

#### Front View of the I/O Cabinet



- Place the jack in the hole in the transport bracket on the front of the pallet.
- Use a drilling machine with the provided hexagonal socket to activate the jack, slide it into position in the bracket, and to lift the pallet to the top position.
- Loosen the bolts that attach the transport bracket to the pallet and remove the front pallet part.

#### Front View of the I/O Cabinet



### ⚠ WARNING

#### HAZARD OF SERIOUS INJURY

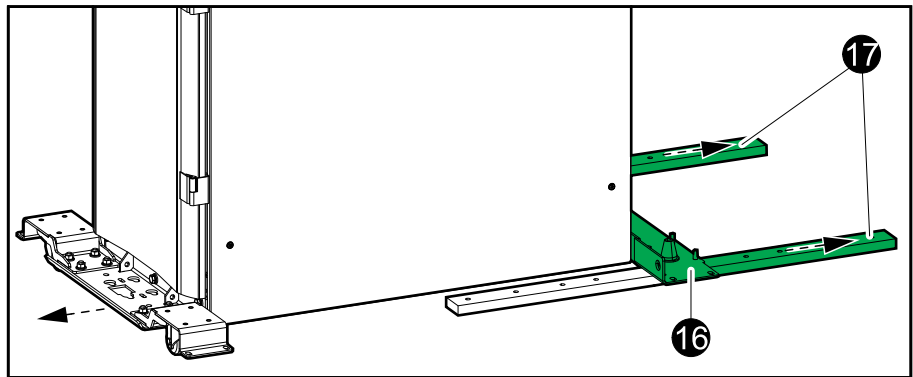
Do not put your hands or feet under the pallet while removing the wooden side part.

**Failure to follow these instructions can result in death, serious injury, or equipment damage.**

- Use the jack to lower the cabinet onto the floor until the wheels connect with the floor. Remove the jack and the floor protection plate.

- Remove the rear anchor.

#### Side View of the I/O Cabinet



- Wheel the cabinet away and remove the remaining pallet parts. The cabinet can now be moved on the built-in wheels to the installation area.

### ⚠ WARNING

#### HAZARD OF SERIOUS INJURY

Be carefully of uneven floors and doorsteps when moving the cabinet on its wheels to avoid overbalancing and tipping the cabinet.

## Remove the Power Cabinets from the Pallet

### ⚠ CAUTION

#### HAZARD OF EQUIPMENT DAMAGE

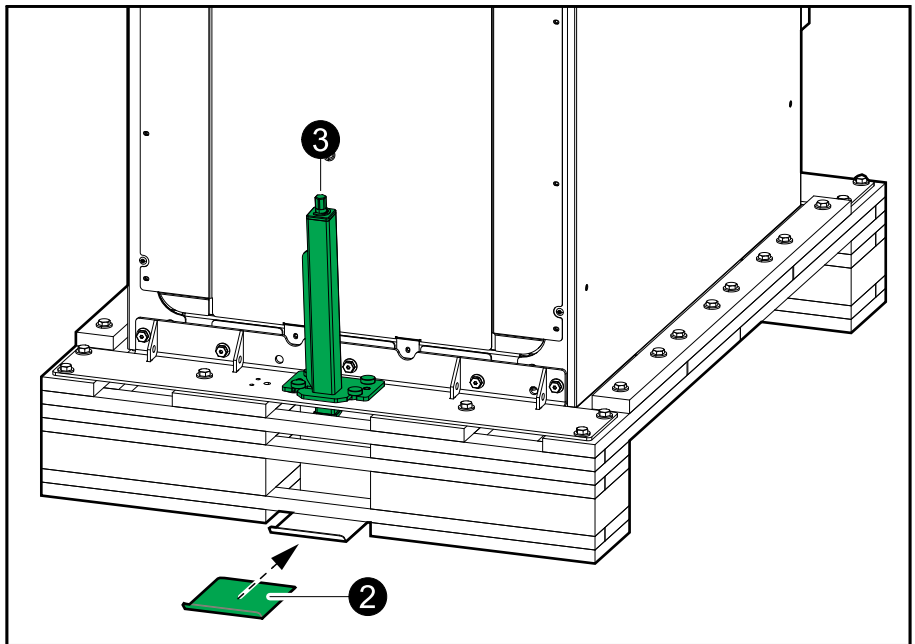
Ensure that the floor is level and can support the weight of the jack when it carries the cabinet.

**Failure to follow these instructions can result in injury or equipment damage.**

- Take the installation kit 0M-816661 shipped on the I/O cabinet pallet. Use the jack and the floor protection plate in the kit for all cabinets in this procedure.

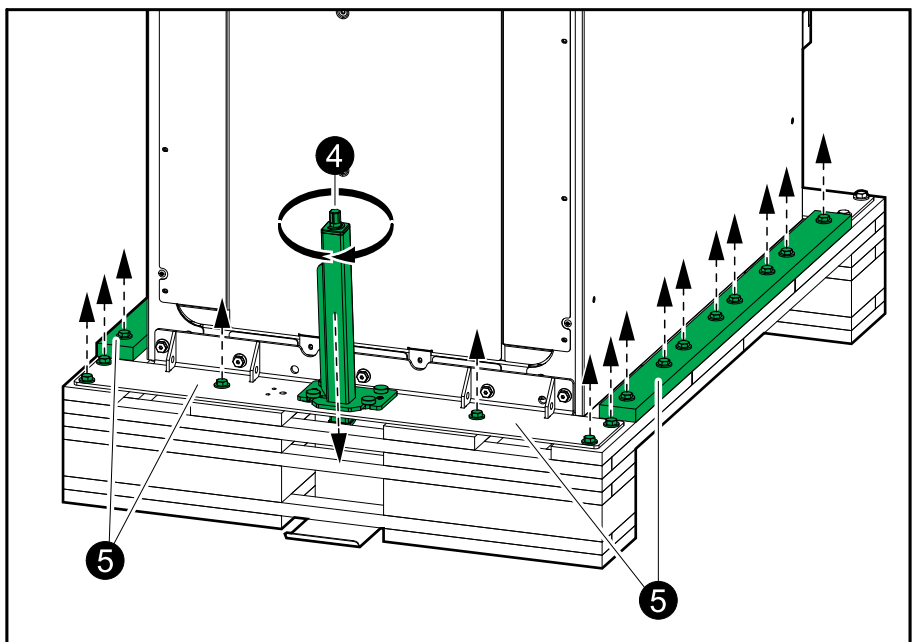
2. Place the floor protection plate under the pallet on the rear of the cabinet.

### Rear View of the Power Cabinet



3. Place the jack from the installation kit in the hole in the transport bracket on the rear of the cabinet.
4. Use a drilling machine with the provided hexagonal socket to activate the jack, slide it into position in the bracket, and to lift the pallet to the top position.  
**NOTE:** Reduce the drill torque to minimum to prevent kickback.

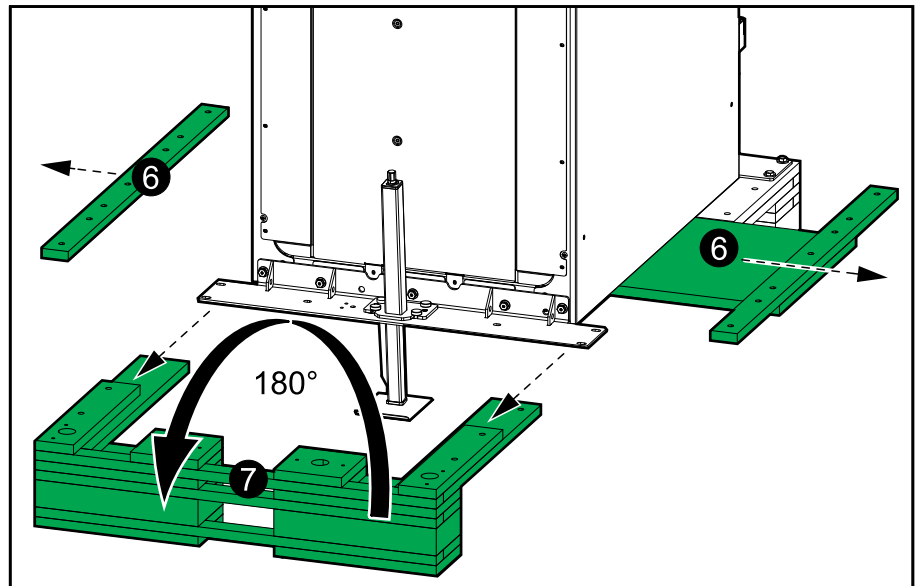
### Rear View of the Power Cabinet



5. Loosen and remove the bolts shown on the drawing that attach the transport bracket and the wooden plates to the pallet.

- Remove the wooden side parts of the pallet and the bottom plate.

#### Rear View of the Power Cabinet



### ▲ WARNING

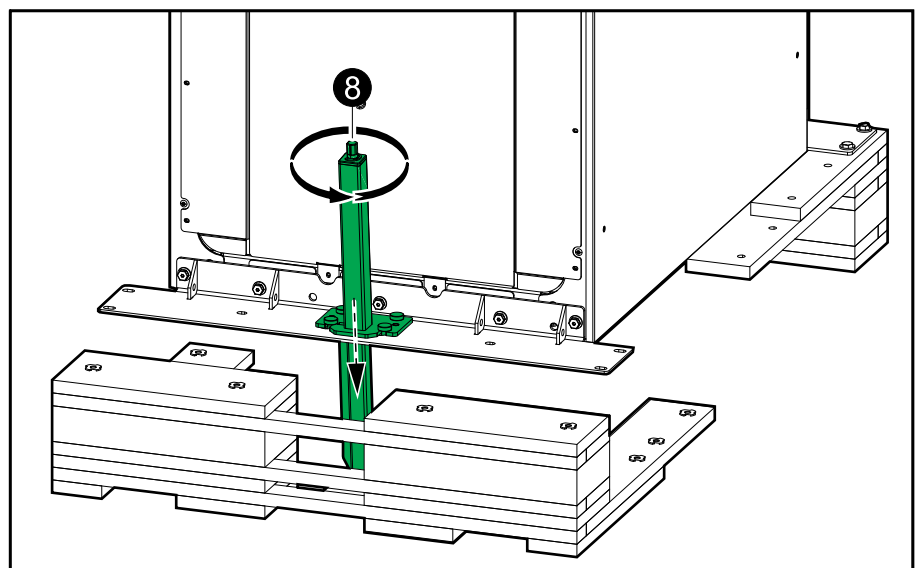
#### HAZARD OF SERIOUS INJURY

Do not put your hands or feet under the pallet while removing the wooden side part.

**Failure to follow these instructions can result in death, serious injury, or equipment damage.**

- Turn the wooden part 180 degrees and place it under the metal bracket as a support.
- Lower the cabinet down onto the support using the jack and the drilling machine.

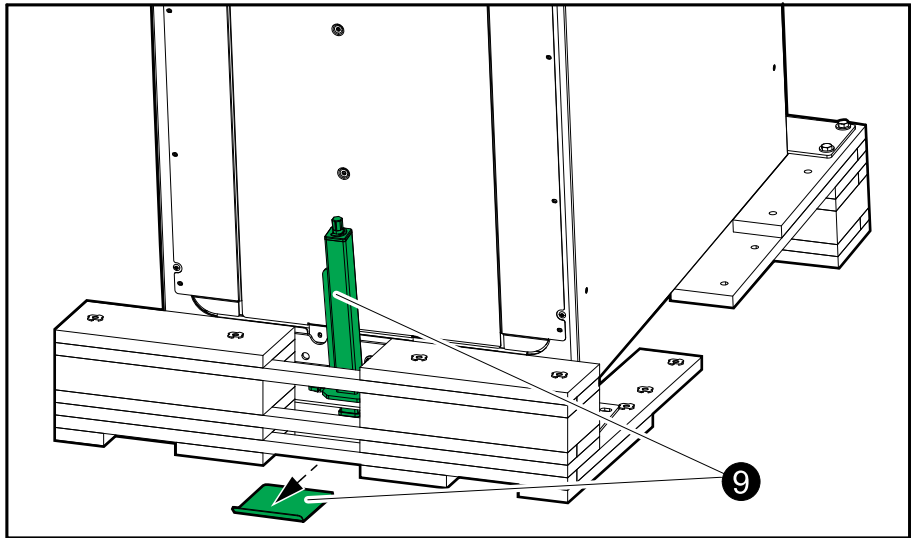
#### Rear View of the Power Cabinet





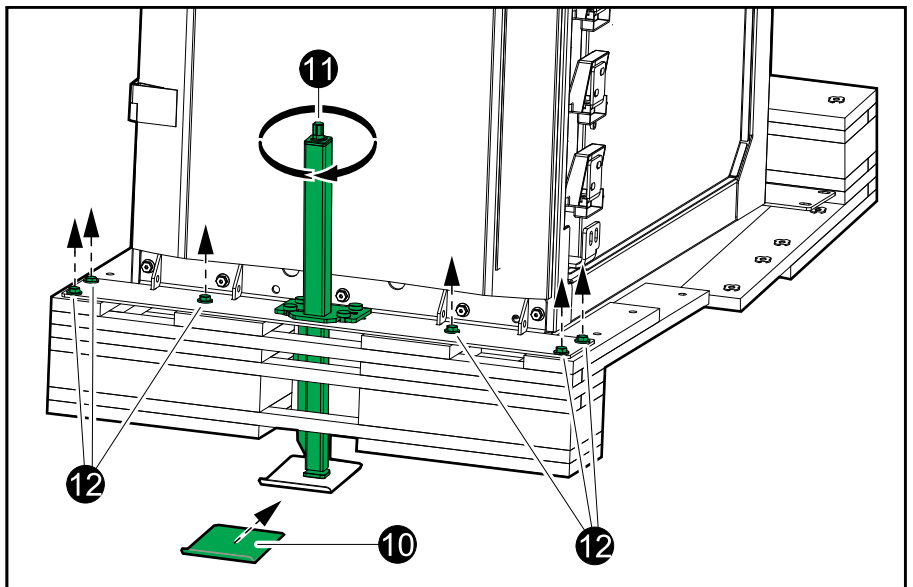
9. Remove the floor protection plate and the jack.

#### Rear View of the Power Cabinet



10. Place the floor protection plate under the pallet on the front of the cabinet.

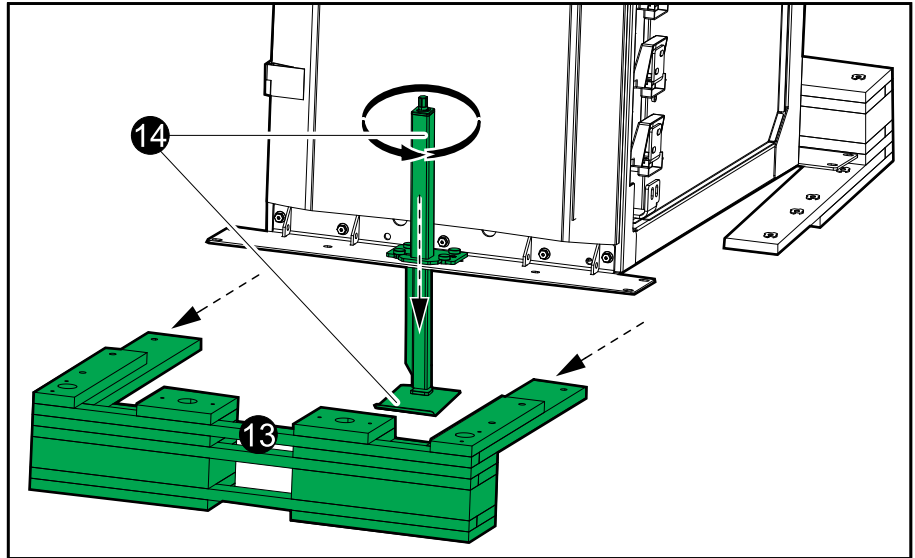
#### Front View of the Power Cabinet



11. Place the jack in the hole in the transport bracket on the front of the pallet. Use a drilling machine with the provided hexagonal socket to activate the jack, slide it into position in the bracket, and to lift the pallet to the top position.
12. Loosen and remove the bolts that fasten the transport bracket to the pallet. The number of bolts depends on the cabinet type.

13. Remove the front pallet.

**Front View of the Power Cabinet**



**▲ WARNING**

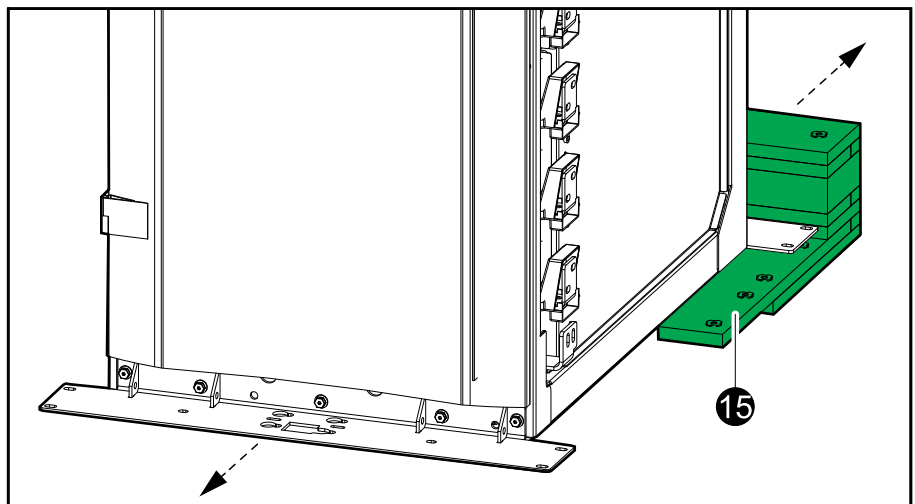
**HAZARD OF SERIOUS INJURY**

Do not put your hands or feet under the pallet while removing the wooden plate.

**Failure to follow these instructions can result in death, serious injury, or equipment damage.**

14. Use the jack to lower the cabinet onto the floor until the wheels connect with the floor. Remove the jack and the floor protection plate.
15. Wheel the cabinet away and remove the remaining pallet parts. The cabinet can now be moved on the built-in wheels to the installation area.

**Front View of the Power Cabinet**



**▲ WARNING**

**HAZARD OF TILTING**

Be carefully of uneven floors and doorsteps when moving the cabinet on its wheels to avoid overbalancing and tipping the cabinet.

# Mount the Rear Anchoring Brackets for the I/O Cabinet and the Power Cabinet

## ⚠ DANGER

### HAZARD OF TILTING

All front and rear anchoring brackets must be installed.

**Failure to follow these instructions will result in death or serious injury.**

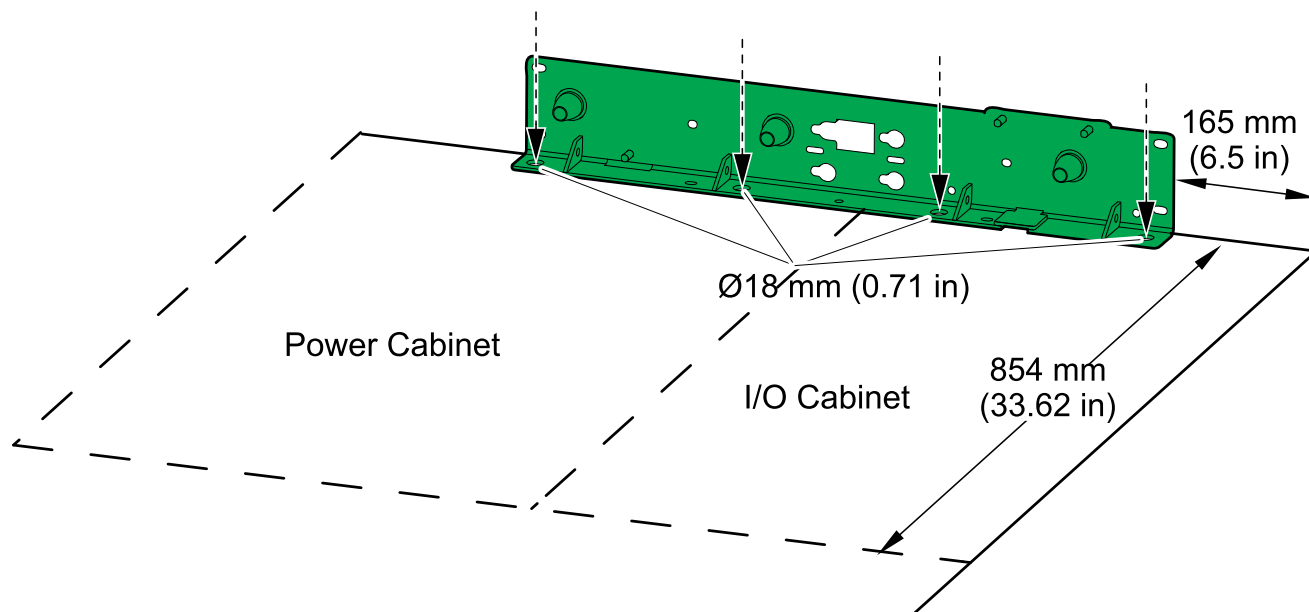
## ⚠ DANGER

### HAZARD OF ELECTRICAL SHOCK, EXPLOSION OR ARC FLASH

Leave the UPS system covered while making anchoring holes to prevent dust or other conductive parts in the system.

**Failure to follow these instructions will result in death or serious injury.**

1. Use the rear anchoring bracket that was attached to the rear pallet of the I/O cabinet. Place the rear anchoring bracket in the final installation area and mark the anchoring hole locations on the floor. The minimum distance from the wall to the right side of the bracket is 165 mm to allow for the installation of the I/O cabinet.



2. Drill anchoring holes according to national and local requirements.  
**NOTE:** A minimum of four bolts are required.
3. Mount the rear anchoring bracket to the floor. Bolts are not supplied.
4. Use a bubble-leveler to ensure that the bracket is level. Use the provided leveling shims if necessary.
5. If your installation includes a line-up modular battery cabinet or a line-up classic battery cabinet, mount their respective rear anchoring brackets now. Refer to the installation manual of your specific battery solution.

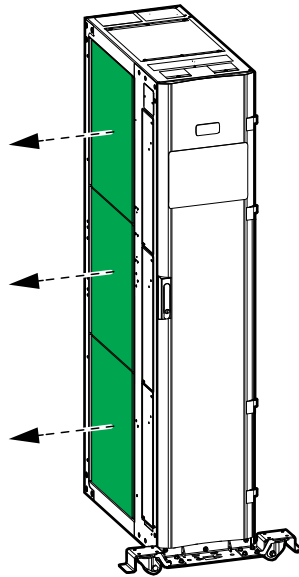
# Install the I/O Cabinet

## Position the I/O Cabinet

The parts used in this procedure are provided in the installation kits 0M-816654 and 0M-816662.

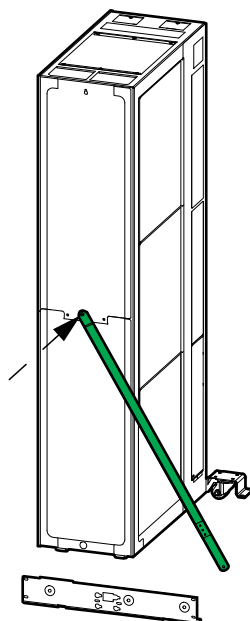
1. Remove the three side covers from the left side of the I/O cabinet and save for later use.

### Front View of the I/O Cabinet



2. Before pushing the I/O cabinet up against the wall, the crossbar shipped inside the I/O cabinet must be installed. Guide the crossbar bolt through the rear of the I/O cabinet and fasten it with the provided M8 nut on the inside of the I/O cabinet.

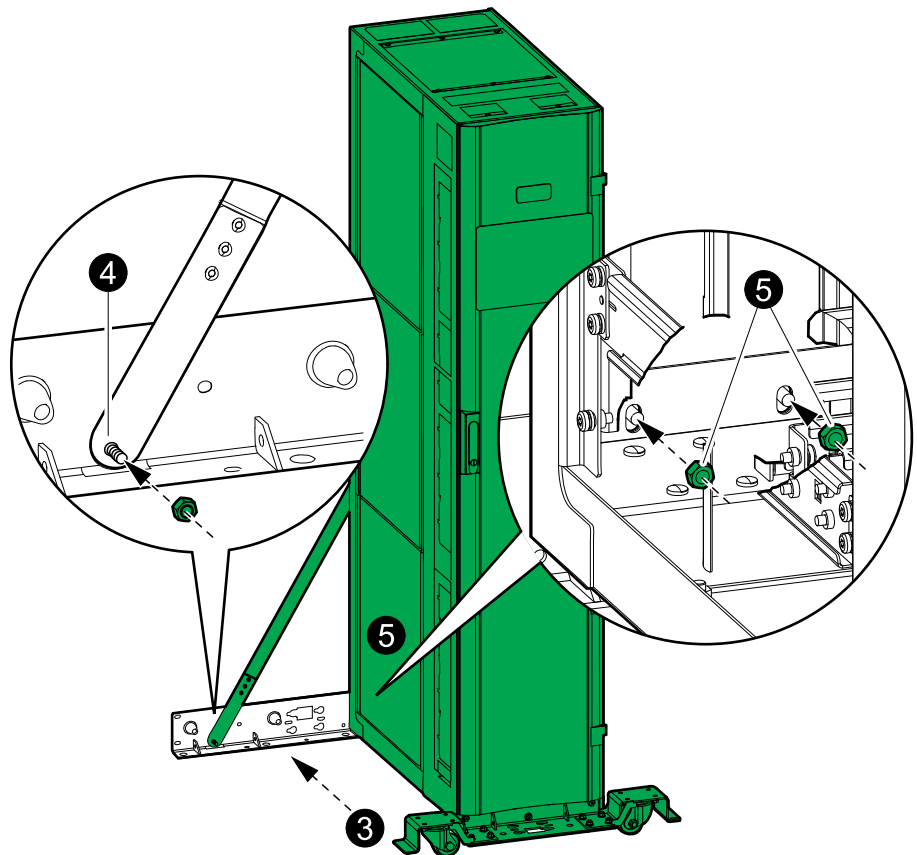
### Rear view of the I/O Cabinet



- Push the I/O cabinet into position against the rear anchoring bracket – the I/O cabinet will connect to the conic outcroppings on the bracket.

**NOTE:** If the I/O cabinet is placed up against a wall on the right side, the right wheel on the front bracket can be rotated 90 degrees.

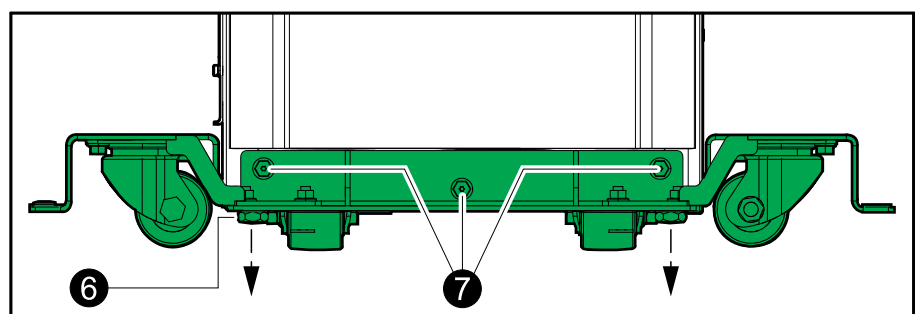
#### Front View of the I/O Cabinet



- Fasten the crossbar to the anchoring bracket using the provided M8 nut.
- Fasten the I/O cabinet with the provided M8 nuts to the rear anchoring bracket through the side of the I/O cabinet.
- Lower the two cabinet front feet until they connect with the floor — use a bubble-leveler to ensure that the I/O cabinet is level. Use the provided levelling shims if necessary.

**NOTE:** If the I/O cabinet is placed up against a wall on the right side, lower the left foot and then remove the right wheel to get access to the right foot.

#### Front View of the I/O Cabinet



- Remove the front bracket with wheels from the I/O cabinet.

## Connect Power Cables to the I/O Cabinet

### Prepare for Cables in a Top Cable Entry System

#### **⚠ DANGER**

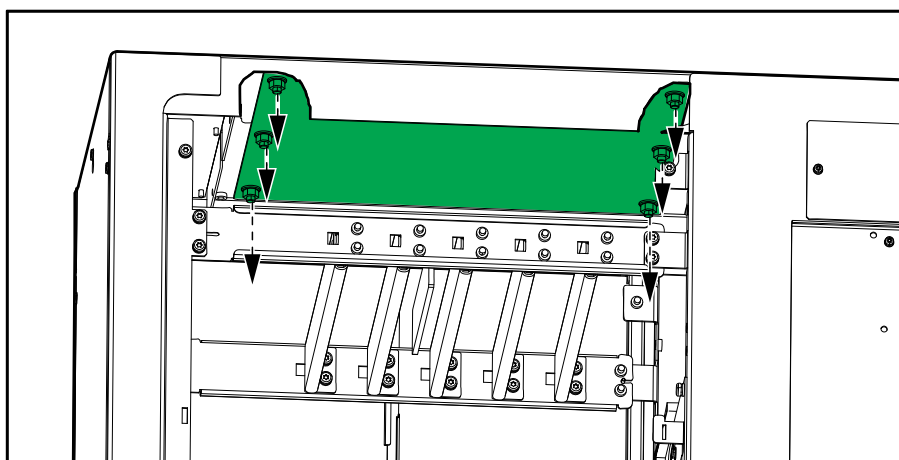
##### **HAZARD OF ELECTRIC SHOCK, EXPLOSION, OR ARC FLASH**

Do not drill or cut holes for cables or conduits with the gland plates installed and do not drill or cut holes in close proximity to the UPS.

**Failure to follow these instructions will result in death or serious injury.**

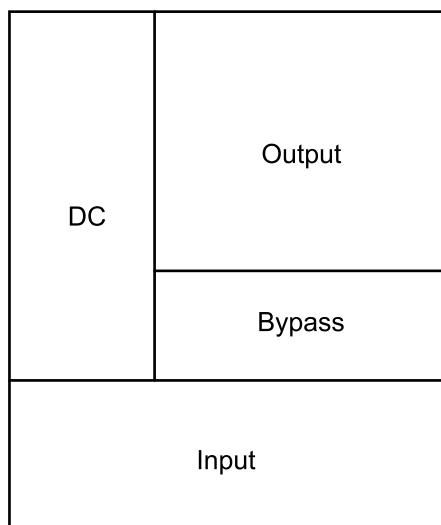
1. Loosen the bolts from the top gland plate of the I/O cabinet and remove the top gland plate.

#### Side View of the I/O Cabinet



2. Drill or cut holes for cables/conduits in the top gland plate according to the guidelines shown below.

#### Top View of the Top Gland Plate



Front

3. Install conduits and reinstall the top gland plate.

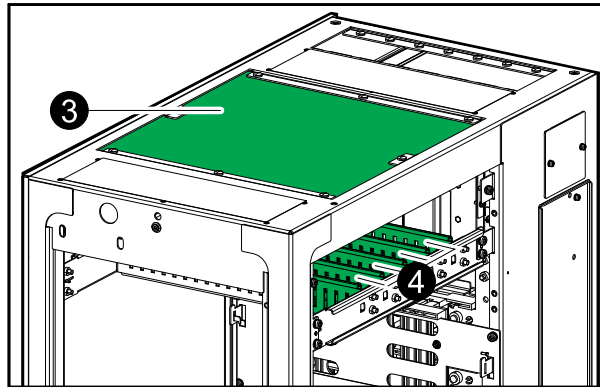
## ⚠ DANGER

### HAZARD OF ELECTRICAL SHOCK, EXPLOSION, OR ARC FLASH

Ensure that there are no sharp edges that can damage the cables.

**Failure to follow these instructions will result in death or serious injury.**

#### Rear View of the I/O Cabinet



4. Route the cables through the ladder in the following order from front to back: input cables, bypass cables (if present), output cables and battery cables (if present).

## Prepare for Cables in a Bottom Cable Entry System

## ⚠ DANGER

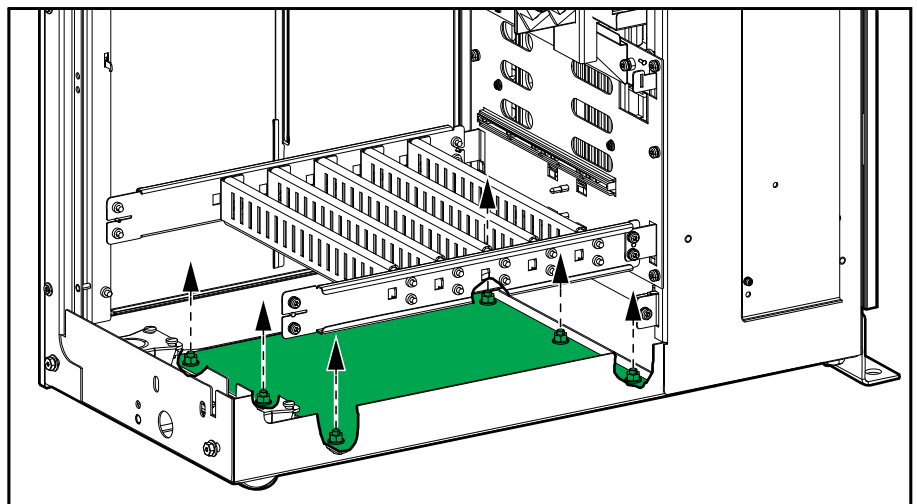
### HAZARD OF ELECTRIC SHOCK, EXPLOSION, OR ARC FLASH

Do not drill or cut holes for cables or conduits with the gland plates installed and do not drill or cut holes in close proximity to the UPS.

**Failure to follow these instructions will result in death or serious injury.**

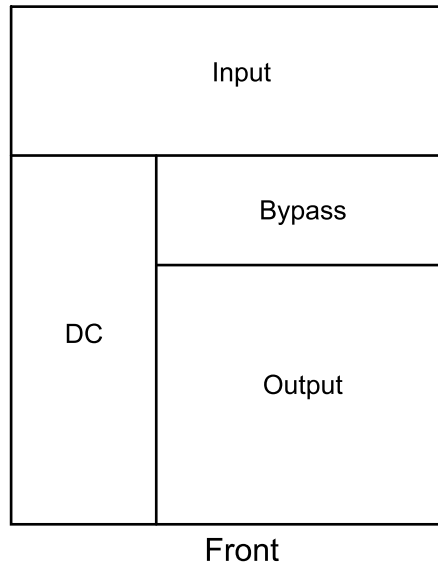
1. Loosen the bolts from the bottom gland plate of the I/O cabinet and remove the bottom gland plate.

#### Side View of the I/O Cabinet



2. Drill or cut holes for cables/conduits in the bottom gland plate according to the guidelines shown below.

#### Top View of the Bottom Gland Plate



3. Install conduits and reinstall the bottom gland plate.

<b>⚠ DANGER</b>
<b>HAZARD OF ELECTRIC SHOCK, EXPLOSION, OR ARC FLASH</b>
Ensure that there are no sharp edges that can damage the cables.
<b>Failure to follow these instructions will result in death or serious injury.</b>

4. Route the cables through the ladder in the following order from front to back: battery cables (if present), output cables, bypass cables (if present), and input cables.

### Install Jumper Busbar in 5–Wire Systems

**NOTE:** This procedure is only applicable to 5–wire systems. The jumper must be installed when required by the local regulations.

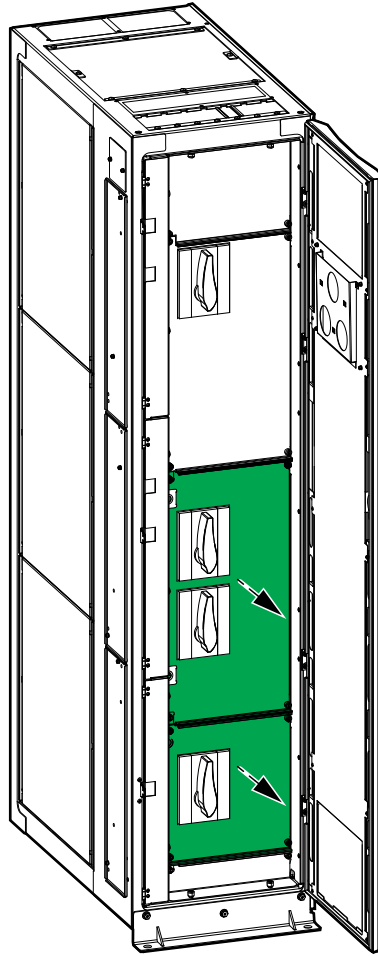
**NOTE:** The jumper is making a bolted connection of the neutral so that the neutral is not disconnected when the 4–pole switches are opened.

The parts used in this procedure are provided in the installation kit 0N-9763.



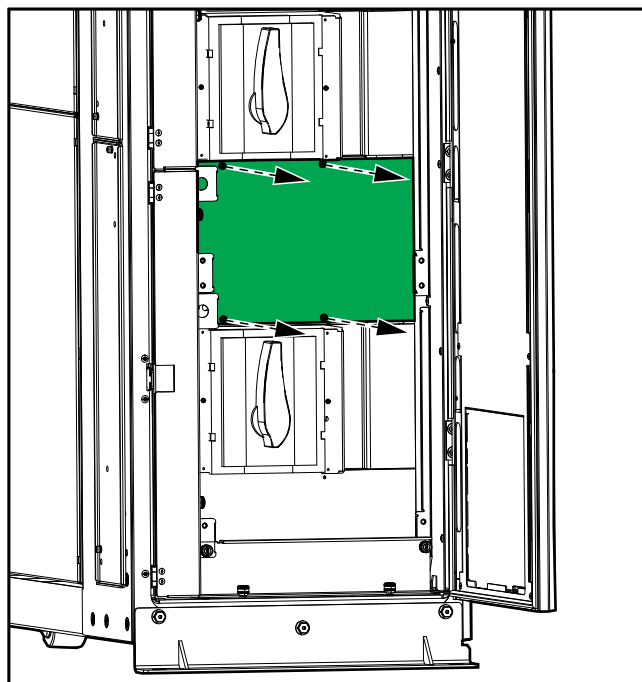
1. Remove the two bottom dead front panels from the I/O cabinet.

### Front View of the I/O Cabinet



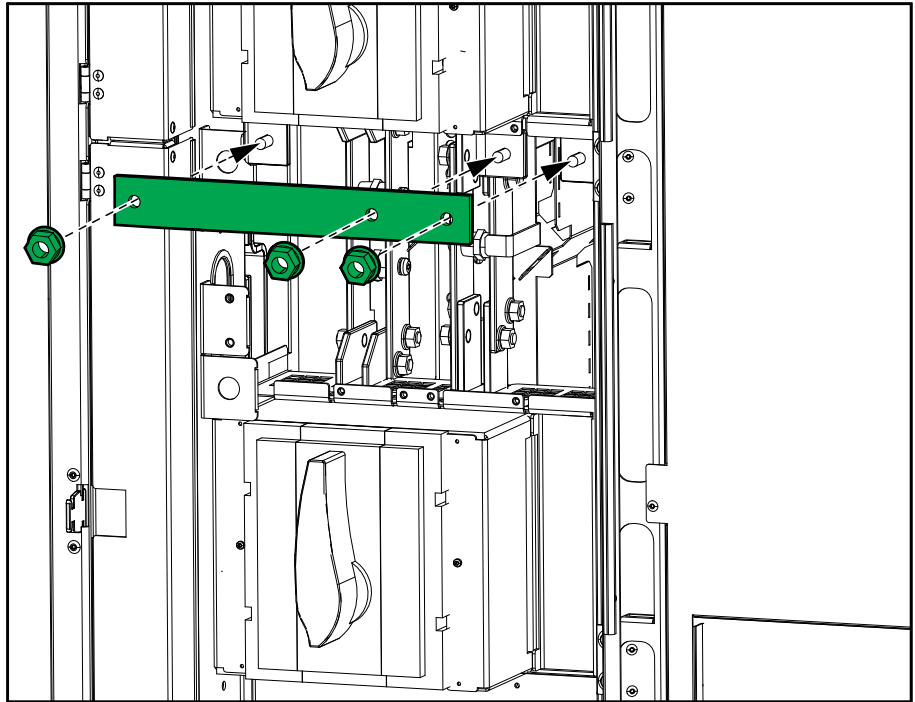
2. Remove the isolation cover.

### Front View of the I/O Cabinet



- Slide the provided jumper busbar over the studs of the busbars and secure the jumper busbar using the provided M8 nuts.

#### Front View of the I/O Cabinet

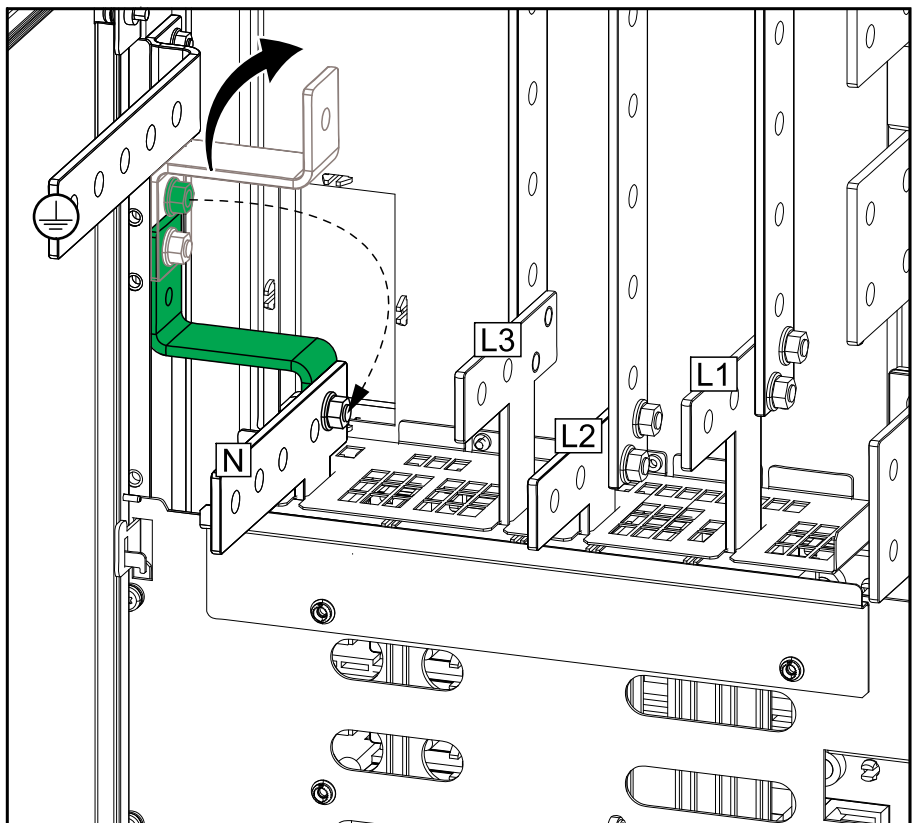


- Reinstall the isolation cover and the dead front panels.

### Convert to a TN-C System

- Loosen the screw holding the jumper busbar.

#### Rear View of the I/O Cabinet



2. Rotate the jumper busbar and connect it to the PE busbar and the neutral busbar.

## Connect Power Cables in a Single Mains System

### **⚠ DANGER**

#### **HAZARD OF ELECTRIC SHOCK, EXPLOSION, OR ARC FLASH**

For TT and TN systems each stand alone cabinet of the system must be individually connected to the protective earthing terminal in the distribution board that supplies the system.

**Failure to follow these instructions will result in death or serious injury.**

### **⚠ DANGER**

#### **HAZARD OF ELECTRIC SHOCK, EXPLOSION, OR ARC FLASH**

Do not remove the isolation covers between the busbars. The isolation covers are not shown on the drawings.

**Failure to follow these instructions will result in death or serious injury.**

### **⚠ CAUTION**

#### **HAZARD OF EQUIPMENT DAMAGE**

When the system is configured as a frequency converter:

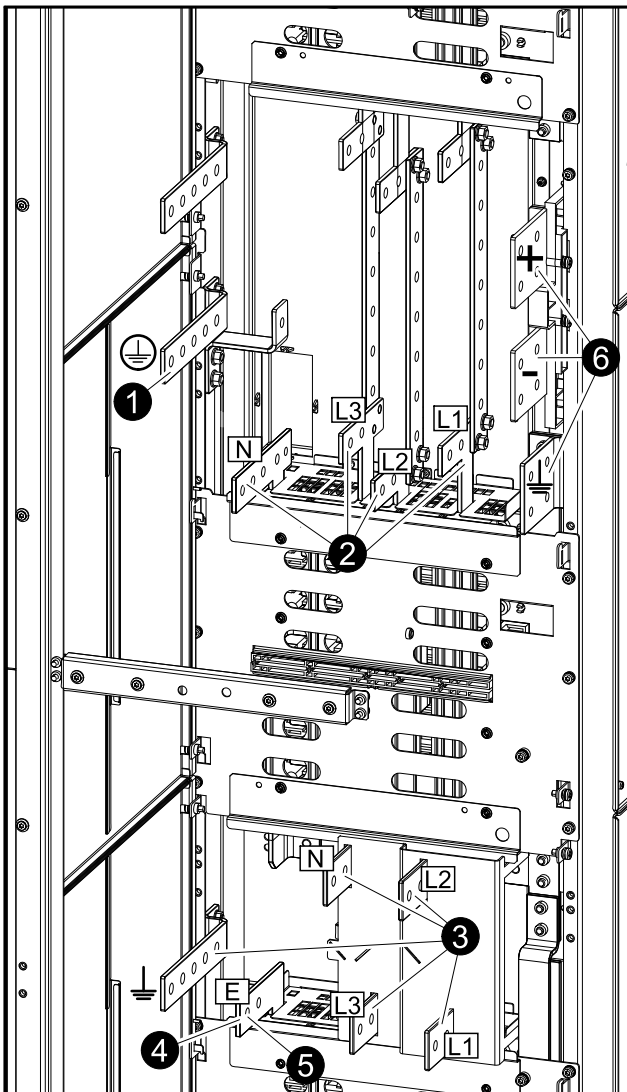
- Only use the single I/O cabinet.
- Remove the three single mains busbars.
- Do not use the bypass terminals.
- Lock or remove the handle on SSIB and MBB in the open position. Padlock is not provided.

**Failure to follow these instructions can result in injury or equipment damage.**

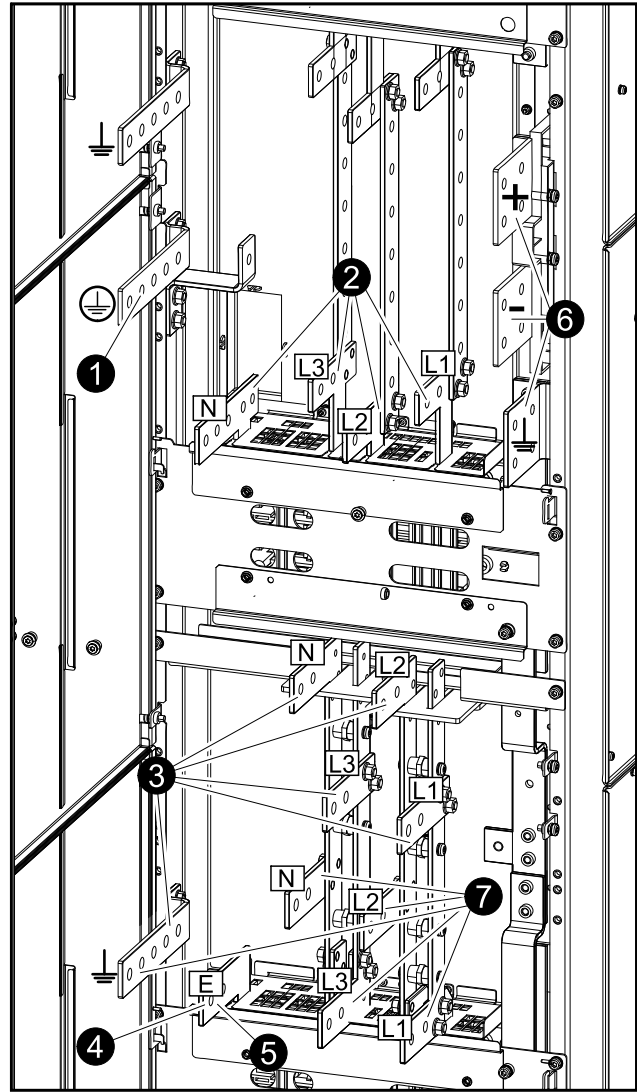
1. Connect the equipment earthing conductor/PE cable to the PE busbar.

**NOTE:** The same earthing must be used for all UPSs in a parallel system.

Rear View of the Single I/O Cabinet



Rear View of the Parallel I/O Cabinet



2. Connect the input cables to the input terminals in the I/O cabinet.
3. Connect the output cables to the output terminals in the I/O cabinet.
4. Only applicable to 4-wire systems: In an IT system, connect an external impedance between the “E” terminal and the output earthing terminal.

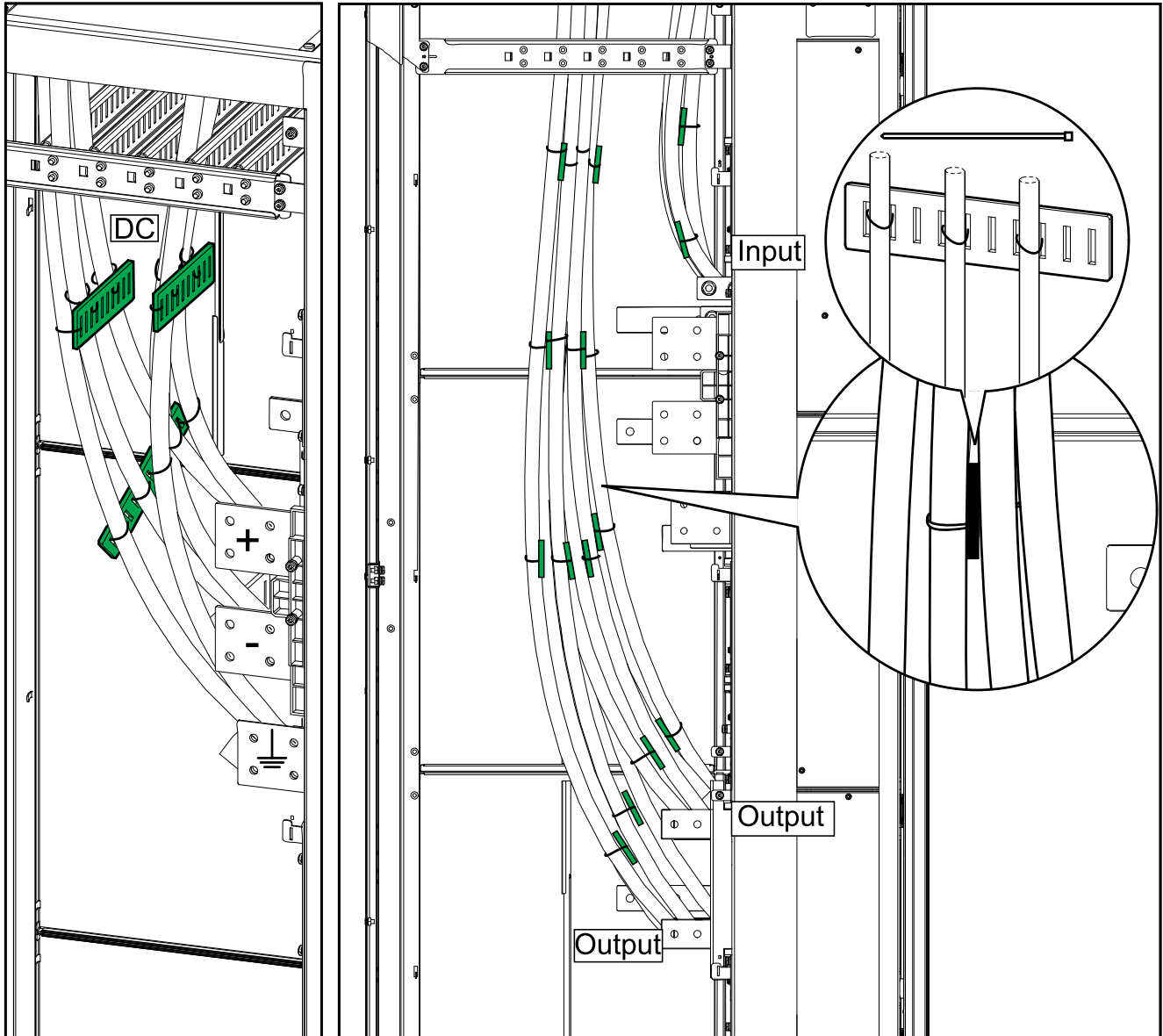
**NOTE:** For IT systems, the installation must include a earth-fault detection circuitry.

5. Only applicable to 5-wire systems: In a TN-S system, connect the functional earthing conductor to the “E” terminal according to local regulation. The size of the cable must be the same as the input cable.
6. Only applicable to systems with remote batteries or a battery breaker box: Connect the battery cables to the battery terminals in the I/O cabinet.
7. Only applicable to parallel systems:
  - In parallel systems with system bypass cabinet: Connect the UPS output cables to the terminals in the system bypass cabinet.
  - In 1+1 parallel systems: Connect the output cables from the single I/O cabinet to the terminals in the parallel I/O cabinet.

8. Fasten the cables to the provided cable reliefs using the cable ties. Use:

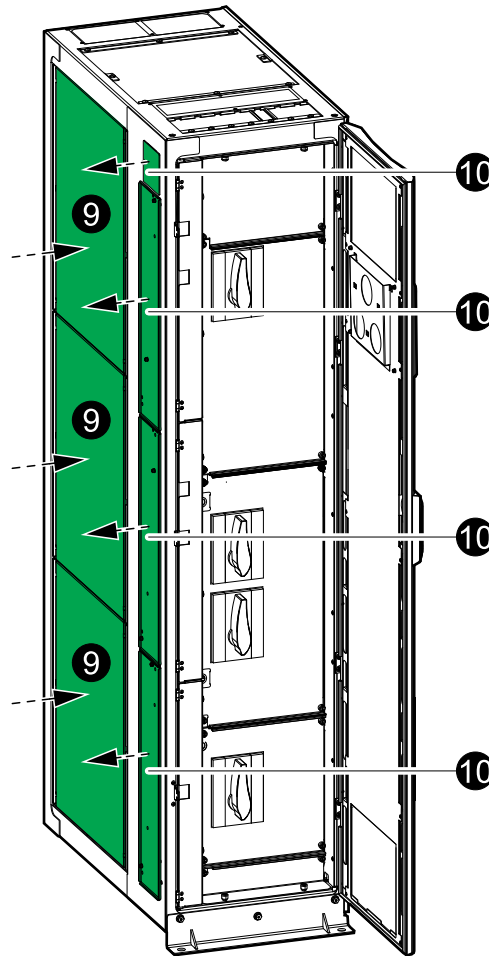
- Two cable reliefs for input cables
- Six cable reliefs for output cables
- Three cable reliefs for battery cables
- In 1+1 systems: Six cable reliefs for 1+1 output cables

### Side View of the I/O Cabinet in a Top Cable Entry System



9. Reinstall the three side covers on the left side of the I/O cabinet.

#### Front View of the I/O Cabinet



10. Remove the four covers protecting the busbars.
11. Lock out/tag out the UIB, SSIB, and UOB in the I/O cabinet using the built-in locking device.
12. Lock out/tag out the MBB with the built-in locking device.
13. Lock out/tag out the battery breakers in the selected battery solution.

### Connect Power Cables in a Dual Mains System

#### **⚠ DANGER**

##### **HAZARD OF ELECTRIC SHOCK, EXPLOSION, OR ARC FLASH**

For TT and TN systems each stand alone cabinet of the system must be individually connected to the protective earthing terminal in the distribution board that supplies the system.

**Failure to follow these instructions will result in death or serious injury.**

#### **⚠ DANGER**

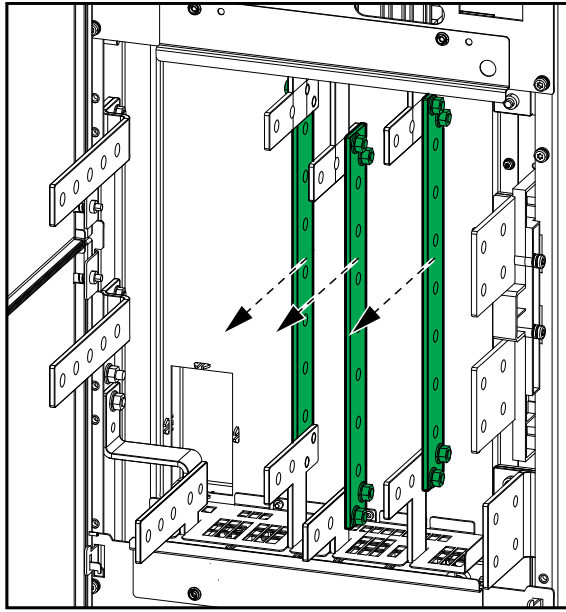
##### **HAZARD OF ELECTRIC SHOCK, EXPLOSION, OR ARC FLASH**

Do not remove the isolation covers between the busbars. The isolation covers are not shown on the drawings.

**Failure to follow these instructions will result in death or serious injury.**

1. Remove the single mains busbars.

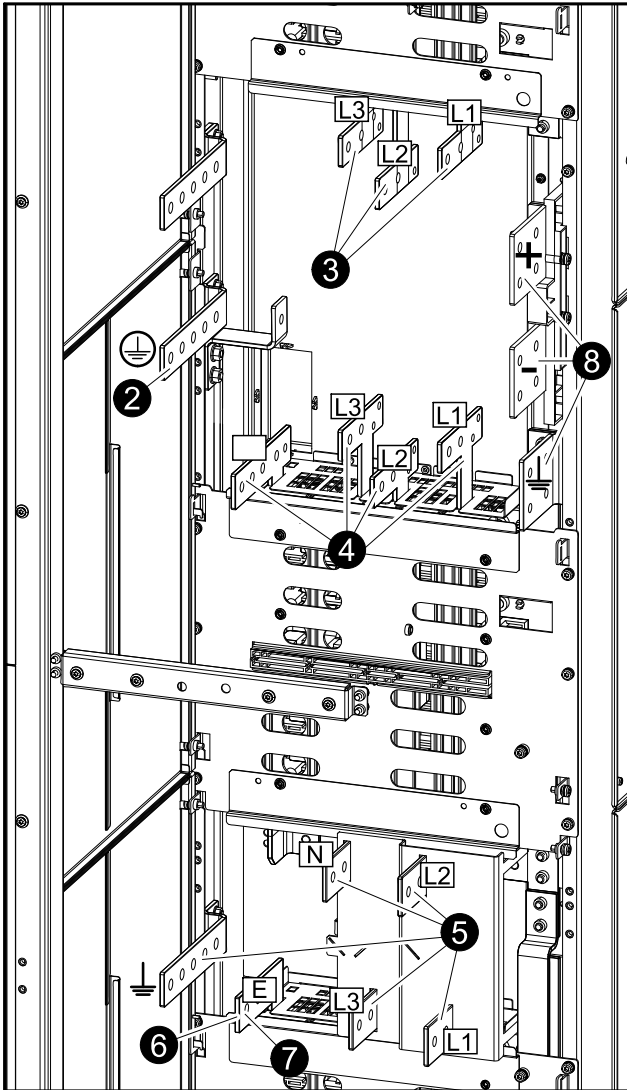
### Rear view of the I/O Cabinet



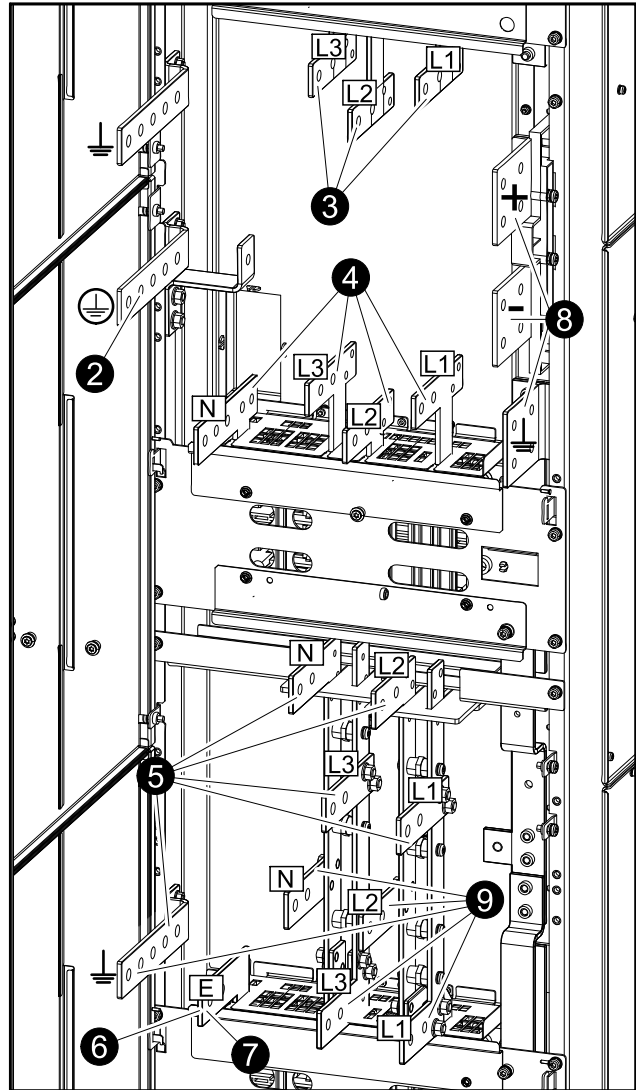
2. Connect the equipment earthing conductor/PE cable to the PE busbar.

**NOTE:** The same earthing must be used for all UPSs in a parallel system.

Rear View of the Single I/O Cabinet



Rear View of the Parallel I/O Cabinet



3. Connect the input cables to the input terminals in the I/O cabinet.
4. Connect the bypass cables to the bypass terminals in the I/O cabinet.
5. Connect the output cables to the output terminals in the I/O cabinet.
6. Only applicable to 4-wire systems: In an IT system, connect an external impedance between the “E” terminal and the output earthing terminal.

**NOTE:** For IT systems, the installation must include a earth-fault detection circuitry.

7. Only applicable to 5-wire systems: In a TN-S system, connect the functional earthing conductor to the “E” terminal according to local regulation. The size of the cable must be the same as the input cable.
8. Only applicable to systems with remote batteries or a battery breaker box: Connect the battery cables to the battery terminals in the I/O cabinet.



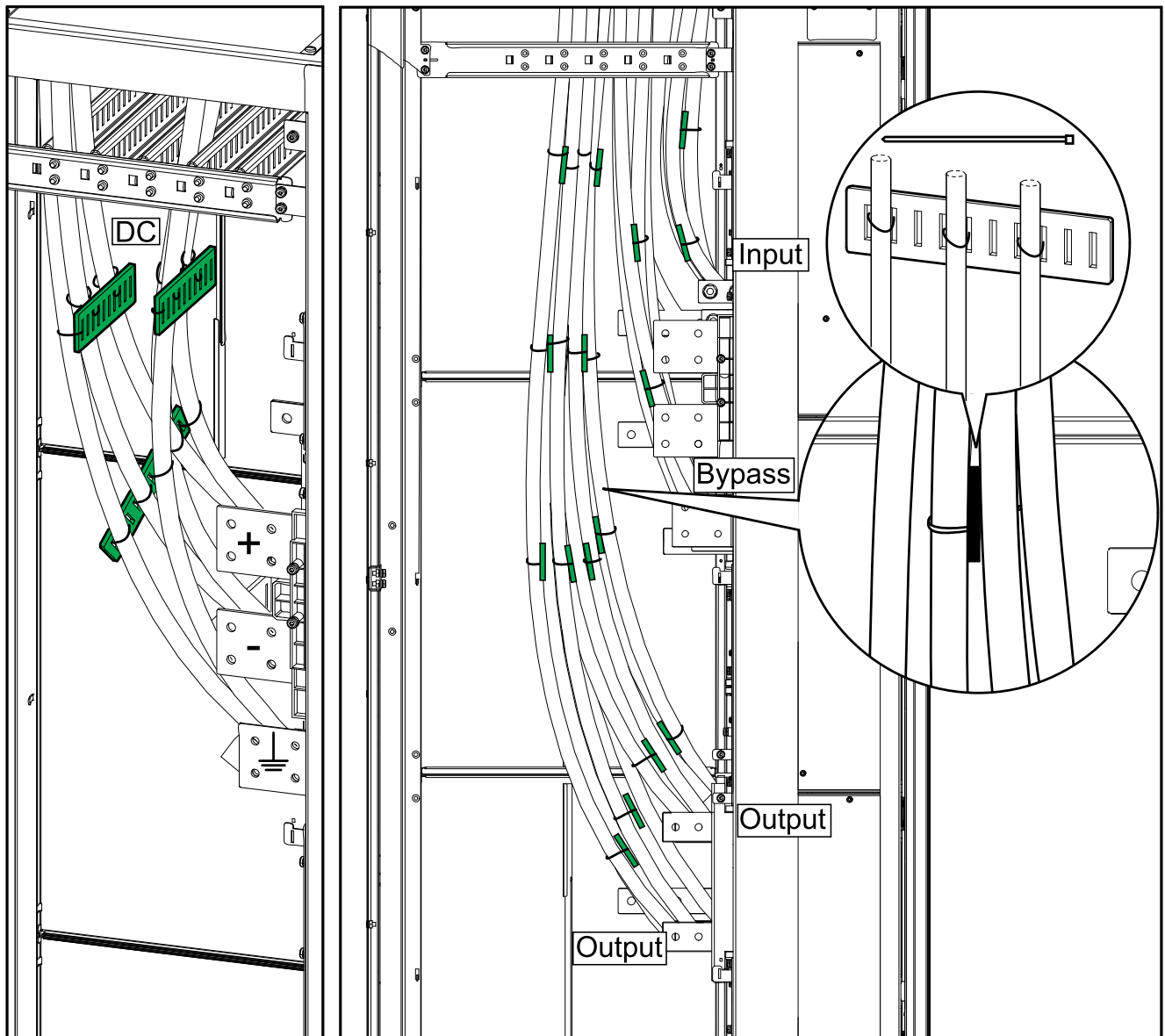
9. Only applicable to parallel systems:

- In parallel systems with system bypass cabinet: Connect the UPS output cables to the terminals in the system bypass cabinet.
- In 1+1 parallel systems: Connect the output cables from the single I/O cabinet to the terminals in the parallel I/O cabinet.

10. Fasten the cables to the provided cable reliefs using the cable ties. Use:

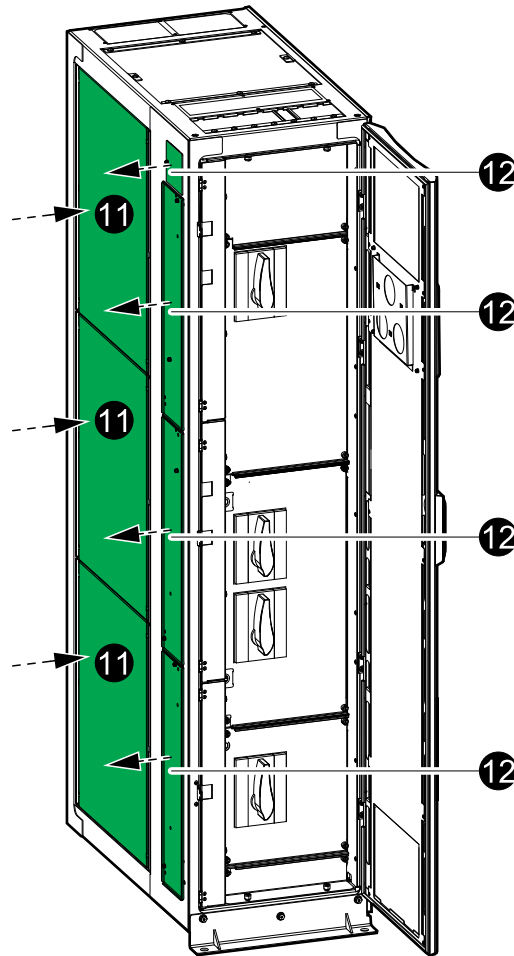
- Two cable reliefs for input cables
- Two cable reliefs for bypass cables
- Six cable reliefs for output cables
- Three cable reliefs for battery cables
- In 1+1 systems: Six cable reliefs for 1+1 output cables

### Side View of the I/O Cabinet in a Top Cable Entry System



11. Reinstall the three side covers on the left side of the I/O cabinet.

#### Front View of the I/O Cabinet



12. Remove the four covers protecting the busbars.
13. Lock out/tag out the UIB, SSIB, and UOB in the I/O cabinet using the built-in locking device.
14. Lock out/tag out the MBB with the built-in locking device.
15. Lock out/tag out the battery breakers in the selected battery solution.

# Install the Power Cabinet

## **⚠ DANGER**

### **HAZARD OF ELECTRIC SHOCK, EXPLOSION, OR ARC FLASH**

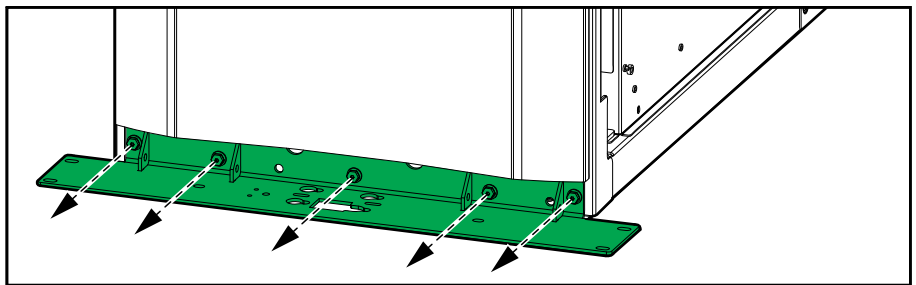
Do not install the power cabinet until all construction work has been completed and the installation room has been cleaned.

**Failure to follow these instructions will result in death or serious injury.**

The parts used in this procedure are provided in the installation kits 0M-816653 and 0M-816654.

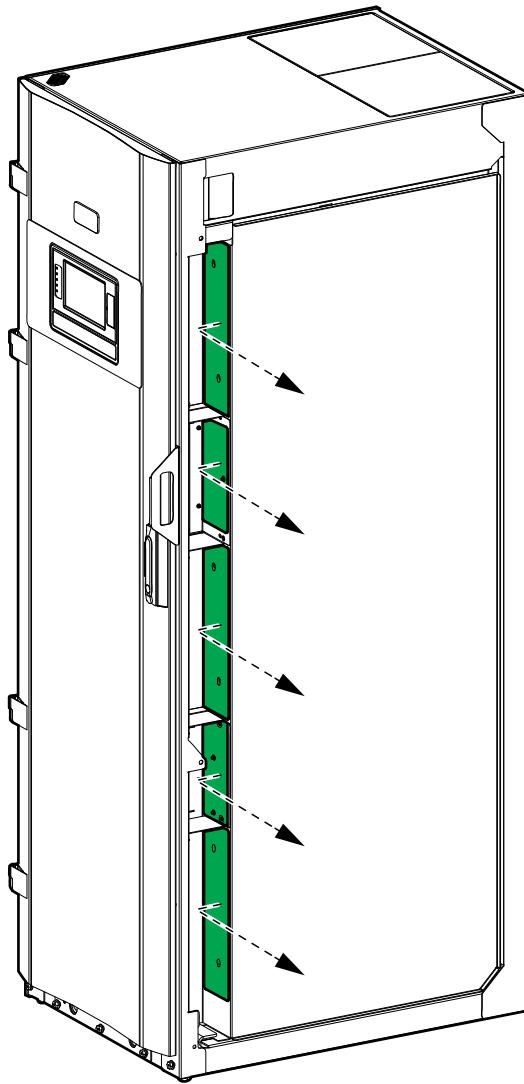
1. Remove the brackets from the bottom of the power cabinet.

### **Front View of the Power Cabinet**



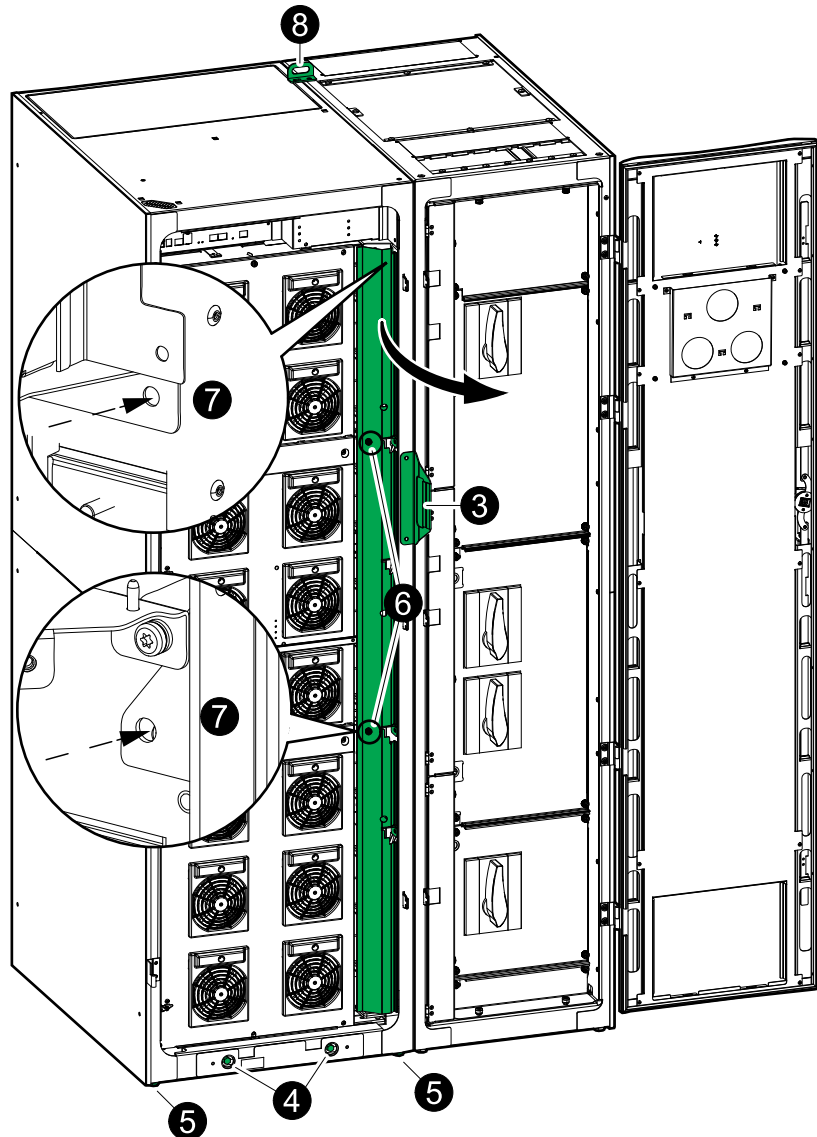
2. Remove the protection covers to get access to the busbars.

### Front Right View of the Power Cabinet



- Using the handle on the front of the power cabinet, push the power cabinet into position against the rear anchoring bracket to the left (front view) of the I/O cabinet. The cabinet will connect to the conic outcroppings on the bracket. Remove the handle from the power cabinet by loosening the two screws that hold the handle.

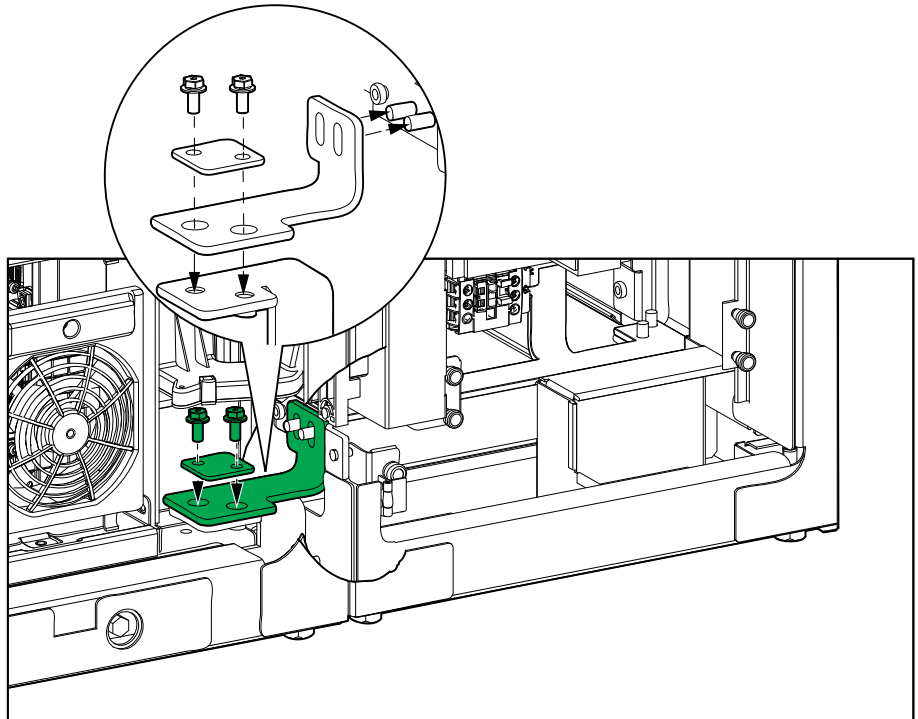
### Front View of the Power Cabinet and the I/O Cabinet



- Fasten the power cabinet to the rear anchoring bracket by tightening the two bolts on the front of the power cabinet.
- Lower the two front feet of the power cabinet until they connect with the floor – use a bubble-leveler to ensure that the cabinets are level. Use the provided levelling shims if necessary.
- Open the cover in the right side of the power cabinet. The cover can also be lifted off during installation for better access.
- Mount two M8 screws from the installation kit in the two marked positions to tighten the I/O cabinet and power cabinet together.
- Install the top baying bracket on the top of the cabinets and fasten with the two provided M6 x 16 screws.

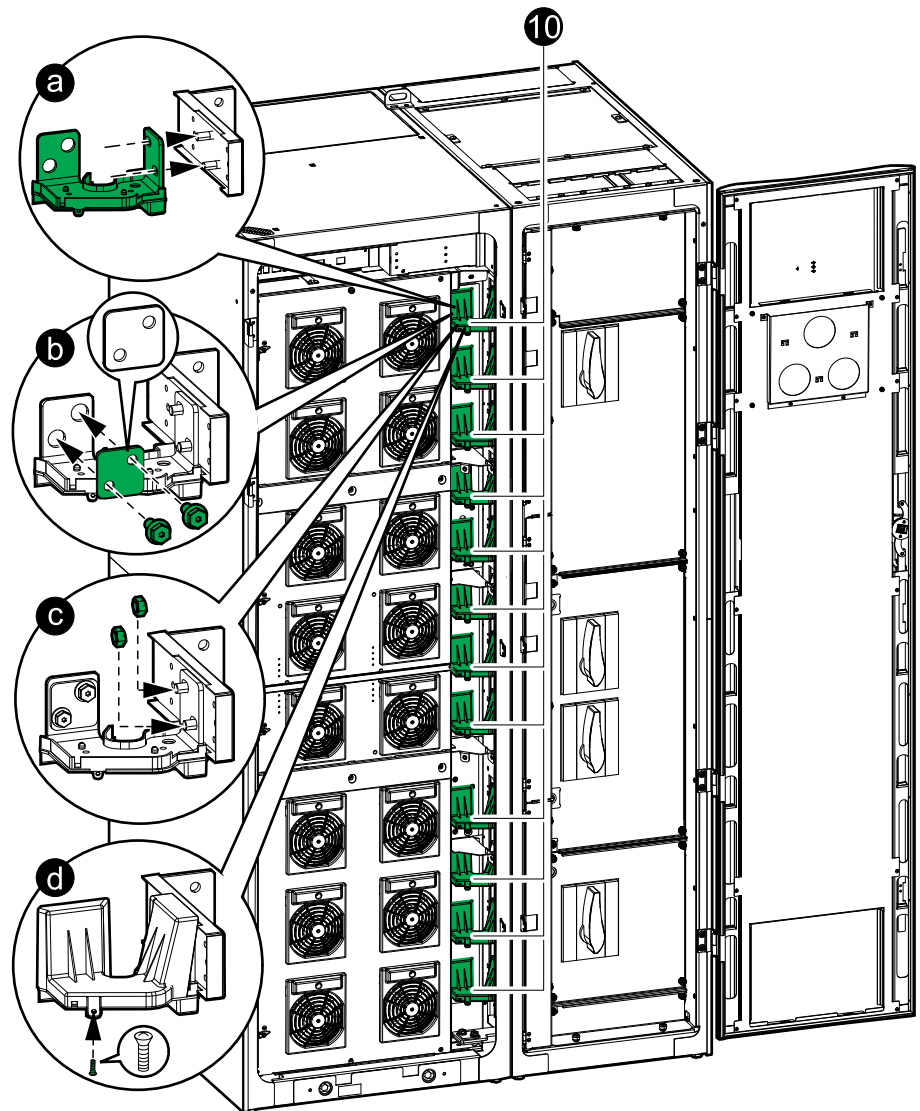
9. Install the PE busbar assembly between the power cabinet and the I/O cabinet.

### Front View of the Power Cabinet and the I/O Cabinet



10. Install interconnection busbars between the I/O cabinet and the power cabinet.

### Front View of the Power Cabinet and the I/O Cabinet

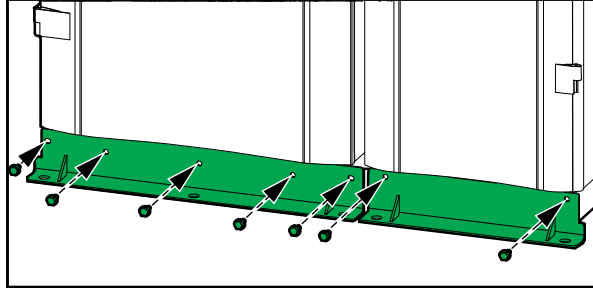


- a. Through the side of the power cabinet, slide the busbar onto the stays in the I/O cabinet.
  - b. Place the tolerance busbar up against the busbar in the power cabinet.
  - c. Fasten the busbars with the provided screws and nuts.
  - d. Place the top busbar protection over the busbar and fasten with the provided 10 mm torx screws in the front left corner of the busbar protection.
11. Reinstall all plates and covers removed.

## Mount the Front Anchoring Brackets on the I/O Cabinet and Power Cabinet

1. Fasten the front anchoring brackets to the front of the I/O cabinet and the power cabinet using the provided bolts.

**Front View of the Power Cabinet and the I/O Cabinet**



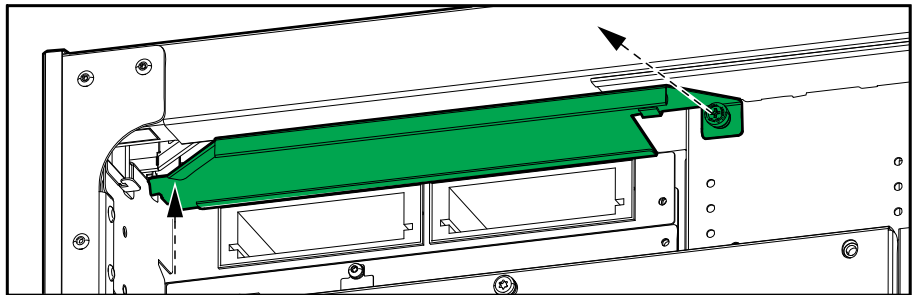
2. Anchor the front anchoring brackets to the floor.

**NOTE:** Floor anchoring bolts are not supplied.

## Connect the Communication and Signal Cables between the Power Cabinet and the I/O Cabinet

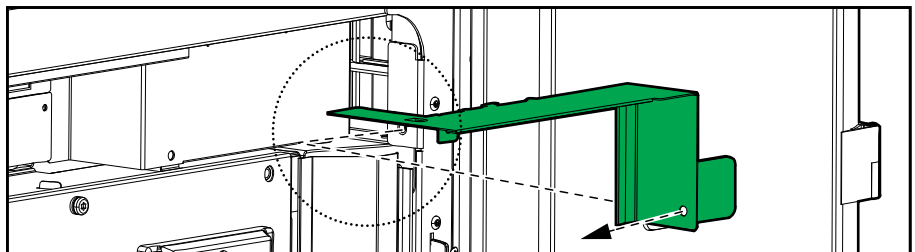
1. Remove the cover plate in the top left side of the power cabinet to get access to the terminals.

**Front View of the Power Cabinet**



2. Remove the cover plate in the top right side of the power cabinet.

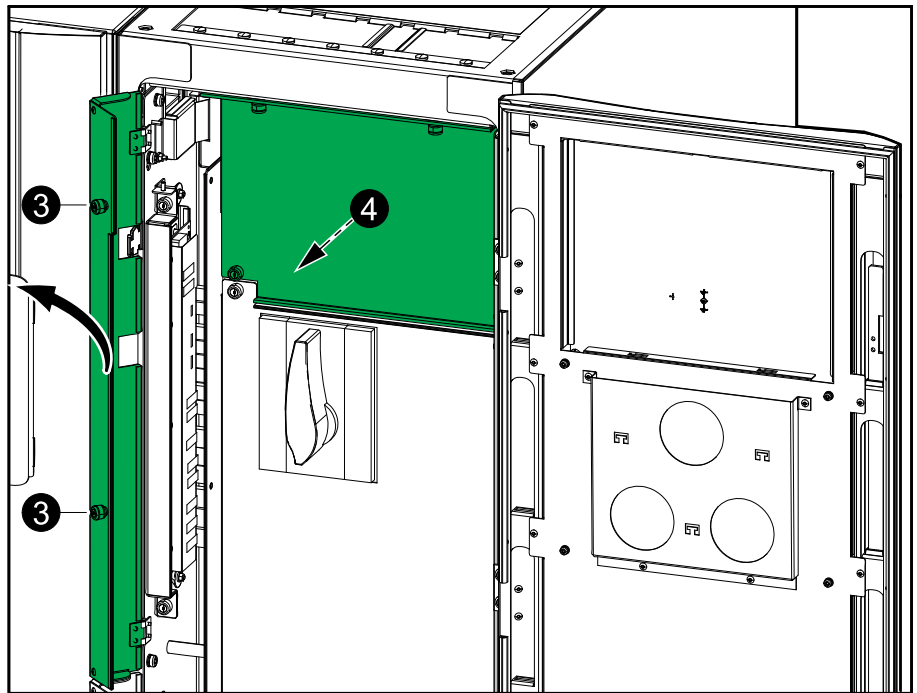
**Front View of the Power Cabinet**





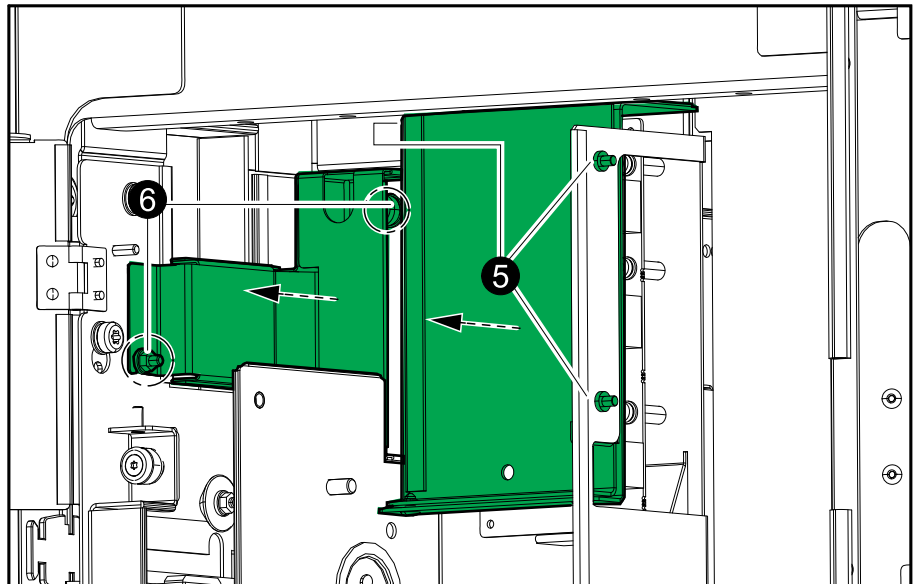
3. Open the cover in the left side of the I/O cabinet.

#### Front View of the I/O Cabinet



4. Remove the cover plate in the top of the I/O cabinet to get access to the ABUS and PBUS terminals.
5. Loosen the screws and remove the indicated cover.

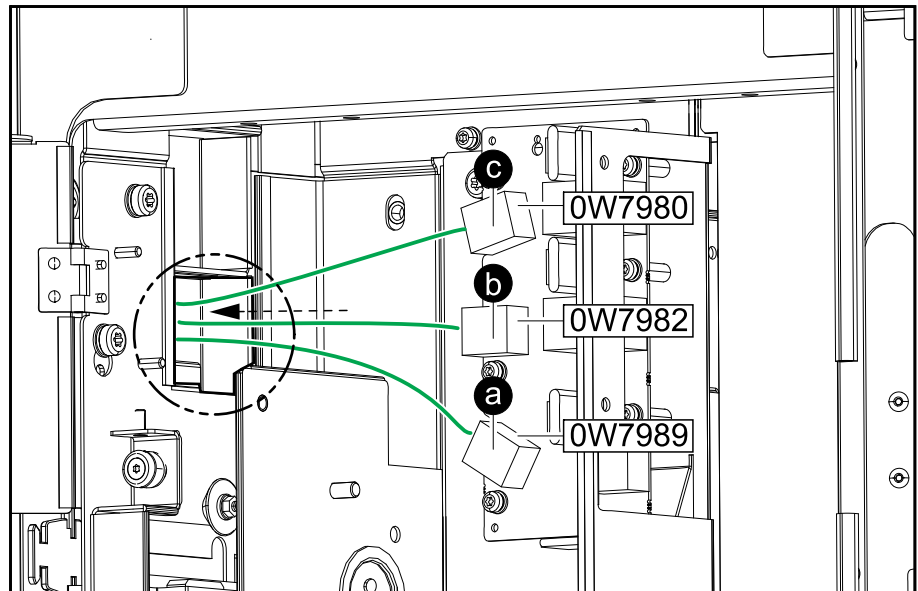
#### Front View of the I/O Cabinet



6. Loosen the screw and the hex nut and remove the indicated plate to get access to the power cabinet.

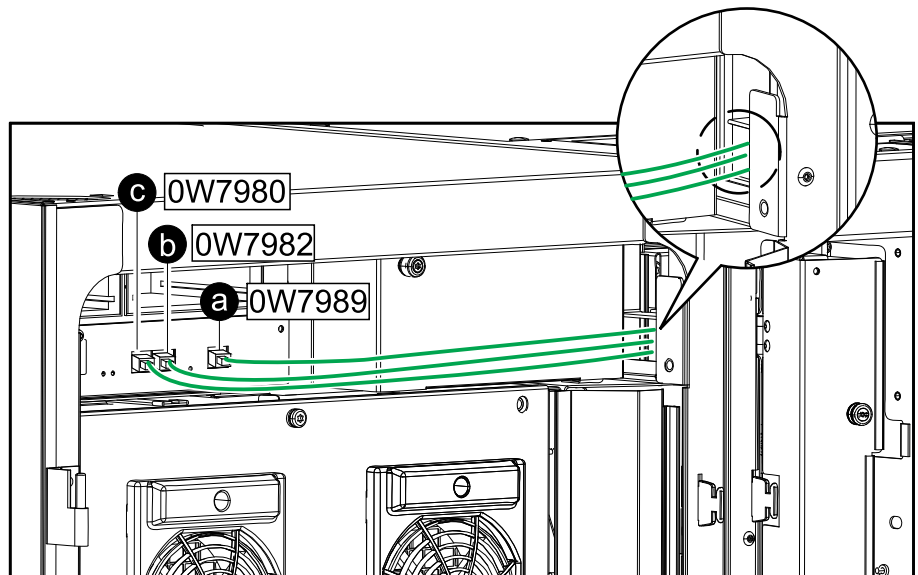
7. Use the ABUS and PBUS cables 0W7989, 0W7980, and 0W7982 from the installation kit 0M-816654:
  - a. Connect the ABUS cable 0W7989 to the ABUS terminal in the I/O cabinet.
  - b. Connect the PBUS 2 cable 0W7982 to the PBUS 2 terminal in the I/O cabinet.
  - c. Connect the PBUS 1 cable 0W7980 to the PBUS 1 terminal in the I/O cabinet.

#### Front View of the I/O Cabinet



8. Route the ABUS and PBUS cables through the bottom opening between the I/O cabinet and the power cabinet:
  - a. Connect the ABUS cable 0W7989 to the ABUS terminal in the power cabinet.
  - b. Connect the PBUS 2 cable 0W7982 to the PBUS 2 terminal in the power cabinet.
  - c. Connect the PBUS 1 cable 0W7980 to the PBUS 1 terminal in the power cabinet.

#### Front View of the Power Cabinet



- Reinstall the plate and fasten it using the screw and the hex nut.

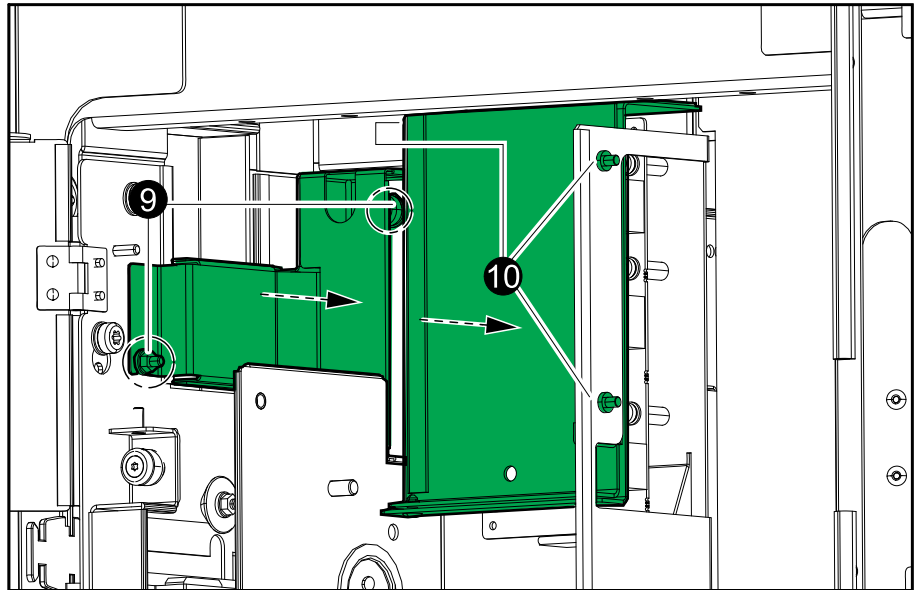
**⚠ CAUTION**

**HAZARD OF EQUIPMENT DAMAGE**

Ensure that the cables are routed in the channel behind the cover and be careful not to squeeze the cables.

**Failure to follow these instructions can result in injury or equipment damage.**

**Front View of the I/O Cabinet**

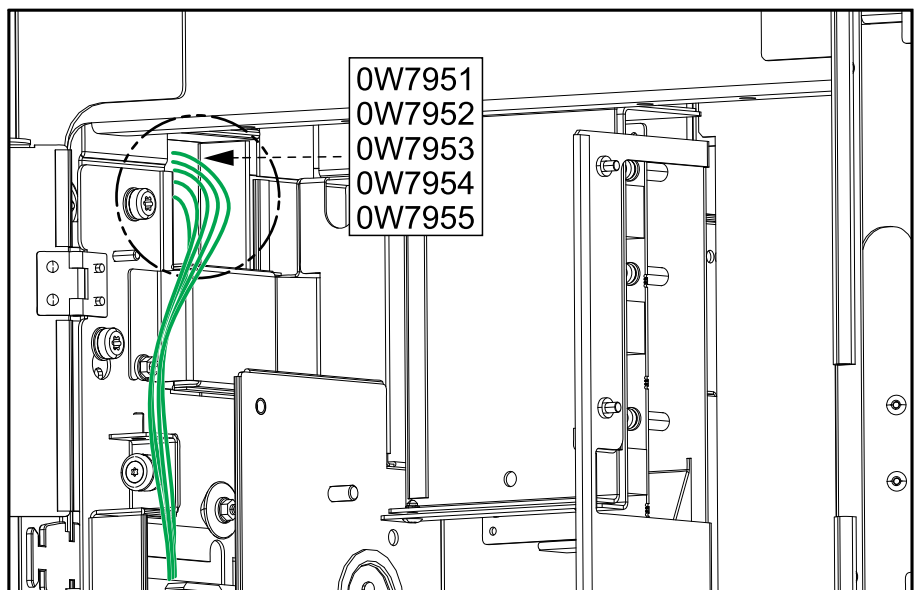


- Reinstall the cover and fasten it using the screws.

**NOTE:** For parallel systems, do not install the cover until the PBUS cables between the parallel units have been connected.

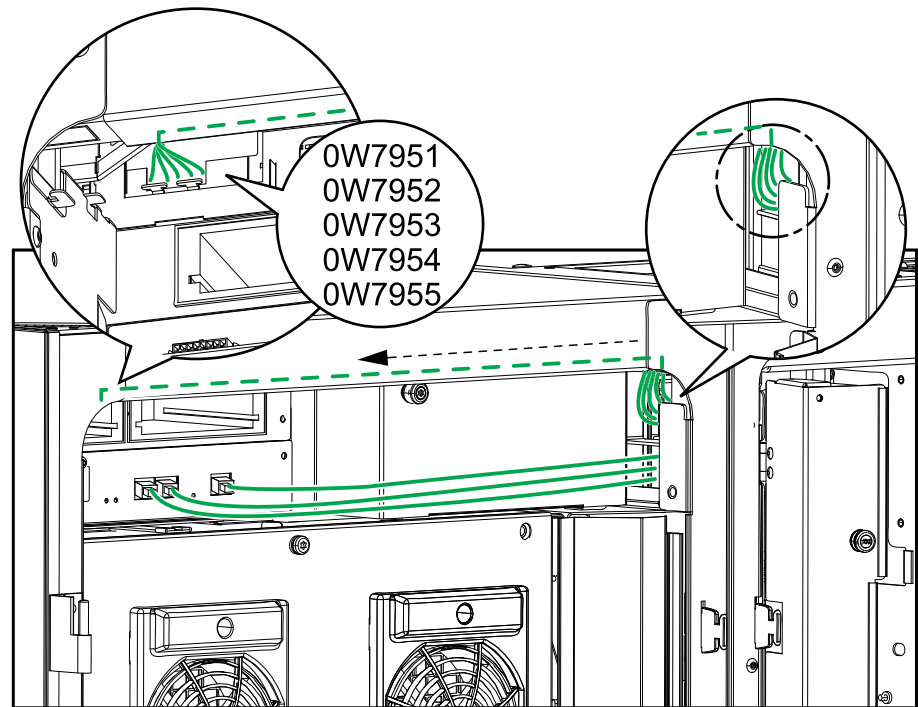
- Route the signal cables 0W7951, 0W7952, 0W7953, 0W7954, and 0W7955 that are connected in the I/O cabinet through the top opening between the I/O cabinet and the power cabinet.

**Front View of the I/O Cabinet**



12. Connect the signal cables to the terminals in the top left corner of the power cabinet.

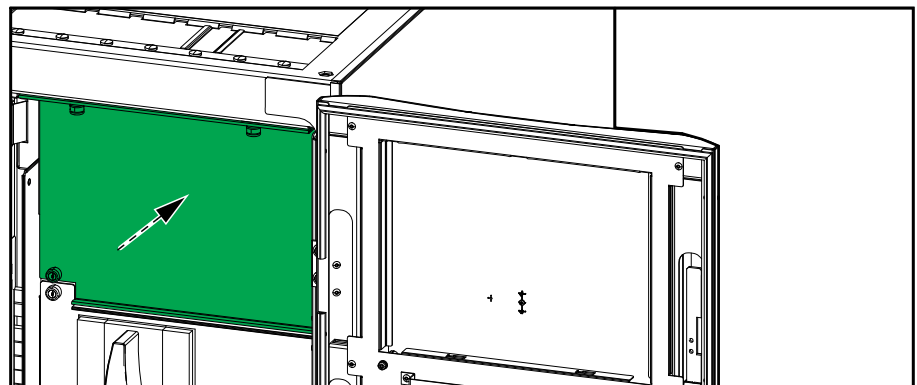
#### Front View of the Power Cabinet



13. Reinstall the cover plate removed in the top of the I/O cabinet in step 4.

**NOTE:** For parallel systems, do not install the cover removed in step 4 until the PBUS cables between the parallel units have been connected.

#### Front View of the I/O Cabinet



14. Close the cover that was opened in step 3 in the left side of the I/O cabinet.

15. Reinstall the cover plate in the right side of the power cabinet.

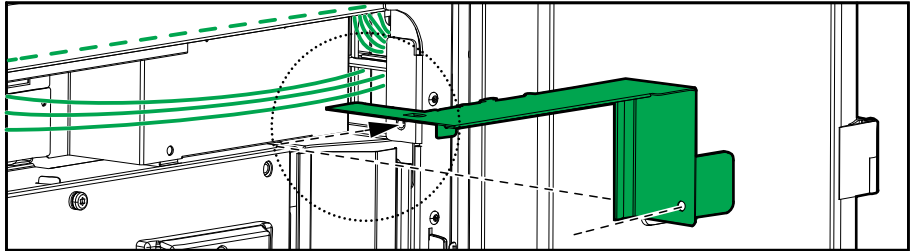
### ⚠ CAUTION

#### RISK OF EQUIPMENT DAMAGE

Ensure that the cables are routed in the cable channel behind the cover and be careful not to squeeze the cables.

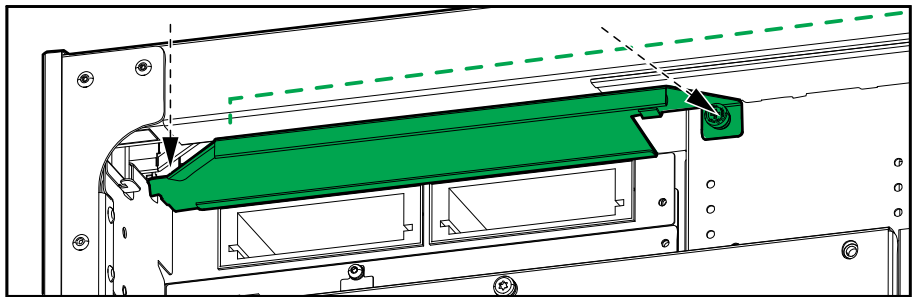
**Failure to follow these instructions can result in injury or equipment damage.**

#### Front View of the Power Cabinet



16. Reinstall the cover plate in the left side of the power cabinet.

#### Front View of the Power Cabinet



# Connect PBUS Cables Between Parallel UPS Units

**NOTE:** PBUS cables must be connected in both 1+1 redundant parallel systems and parallel systems with a system bypass cabinet.

## Connect PBUS Cables Between Parallel UPS Units in Top Cable Entry Systems

### **⚠ DANGER**

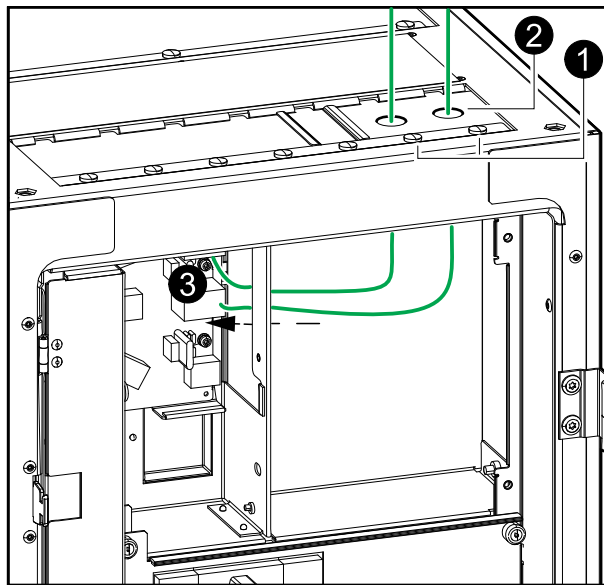
#### **HAZARD OF ELECTRIC SHOCK, EXPLOSION, OR ARC FLASH**

Do not drill or cut holes for cables with the gland plates installed and do not drill or cut holes in close proximity to the UPS.

**Failure to follow these instructions will result in death or serious injury.**

1. Loosen the screws and remove the cover in the front right corner of the top gland plate on the I/O cabinet.

#### **Front View of the I/O Cabinet**

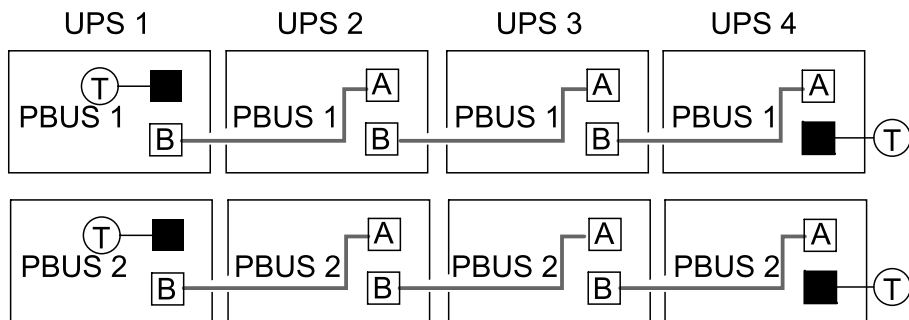


2. Drill or cut holes for cables in the top gland plate and reinstall the top gland plate.

- Route the cables through the cover, and connect the PBUS cables 0H0889 between the I/O cabinets of the parallel system according to the diagram below.

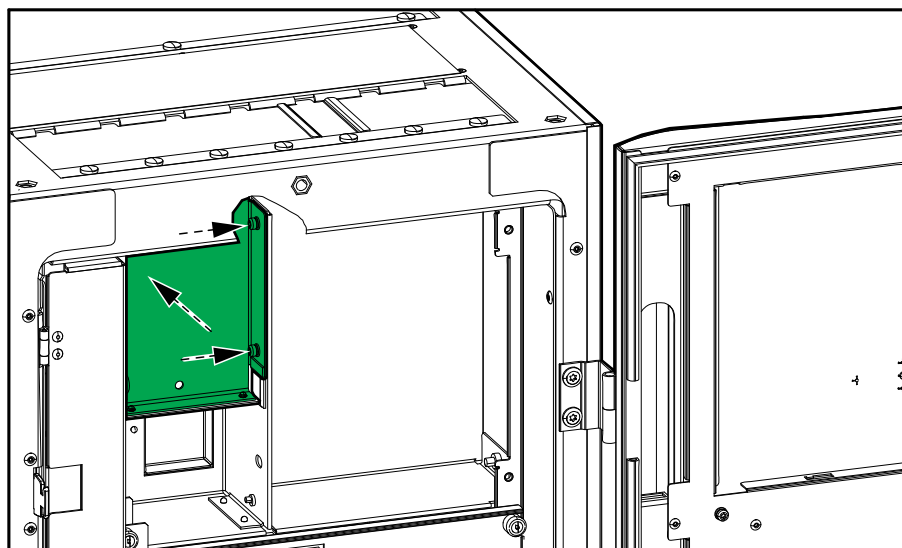
**NOTE:** The PBUS 1 cables are white and the PBUS 2 cables are red.

**PBUS Cables Between the I/O Cabinets in a Parallel System**



- Reinstall the cover in front of the communication board.

**Front View of the I/O Cabinet**



- Reinstall the cover plate in the top of the I/O cabinet.

**Connect PBUS Cables Between Parallel UPS Units in Bottom Cable Entry Systems**

**⚠ DANGER**

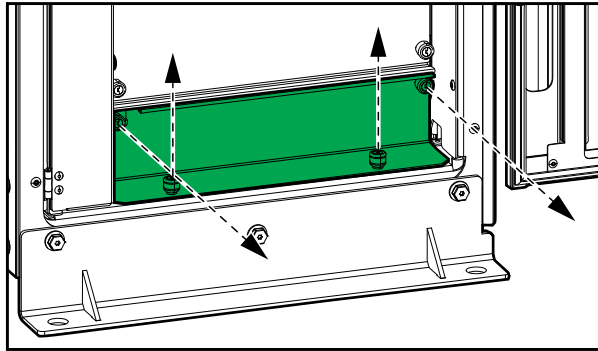
**HAZARD OF ELECTRIC SHOCK, EXPLOSION, OR ARC FLASH**

Do not drill or cut holes for cables or conduits with the covers installed and do not drill or cut holes in close proximity to the UPS.

**Failure to follow these instructions will result in death or serious injury.**

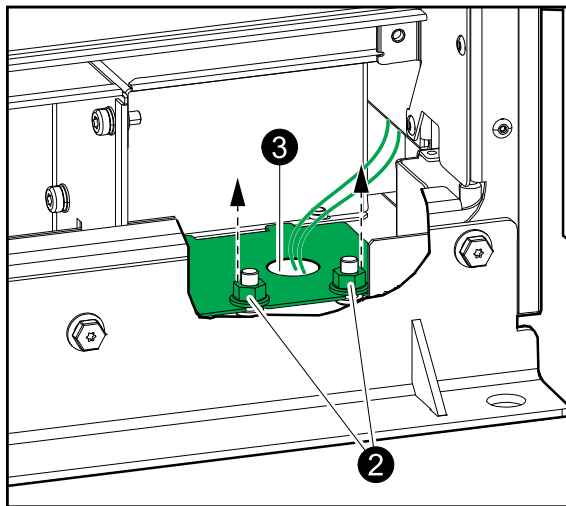
1. Loosen the thumb screws and remove the gland plate in the bottom of the I/O cabinet.

#### Front View of the I/O Cabinet



2. Loosen the screws and remove the cover in the front right corner of the bottom plate.

#### Front View of the I/O Cabinet



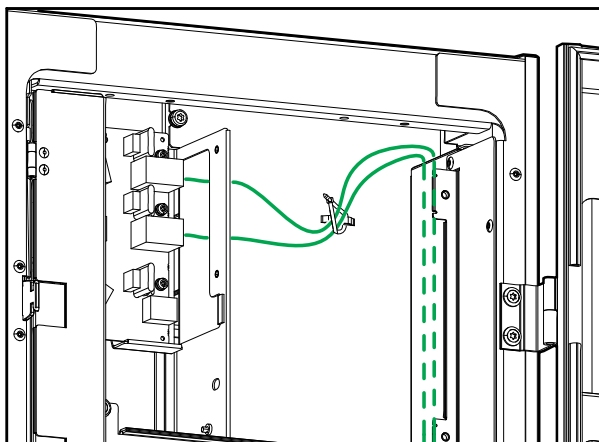
3. Drill or cut holes for cables in the cover and reinstall the cover.



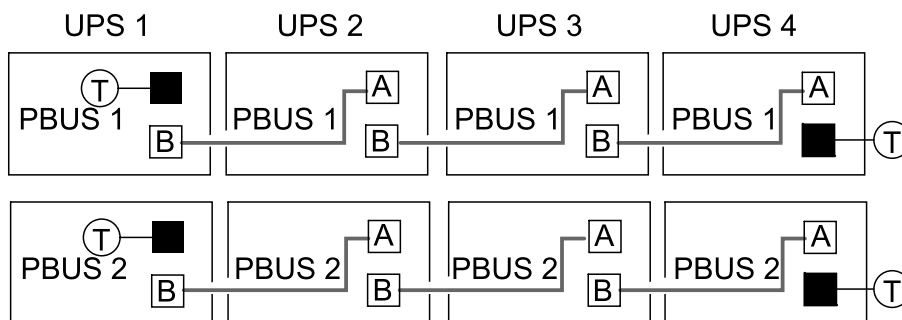
- Route the PBUS cables through the cover behind the plate in the right side, and connect the PBUS cables from 0H0889 between the I/O cabinets of the parallel system according to the diagram below.

**NOTE:** The PBUS 1 cables are white and the PBUS 2 cables are red.

**Front View of the I/O Cabinet**

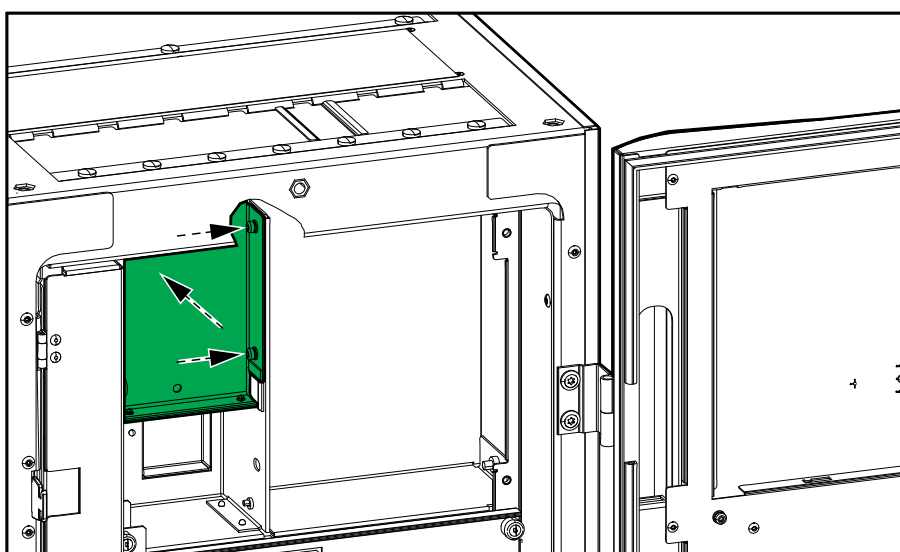


**PBUS Cables Between the I/O Cabinets in a Parallel System**



- Reinstall the cover in front of the communication board.

**Front View of the I/O Cabinet**



- Reinstall the cover plate in the top of the I/O cabinet.

## Prepare the I/O Cabinet for Connection of Signal Cables in Top Cable Entry System

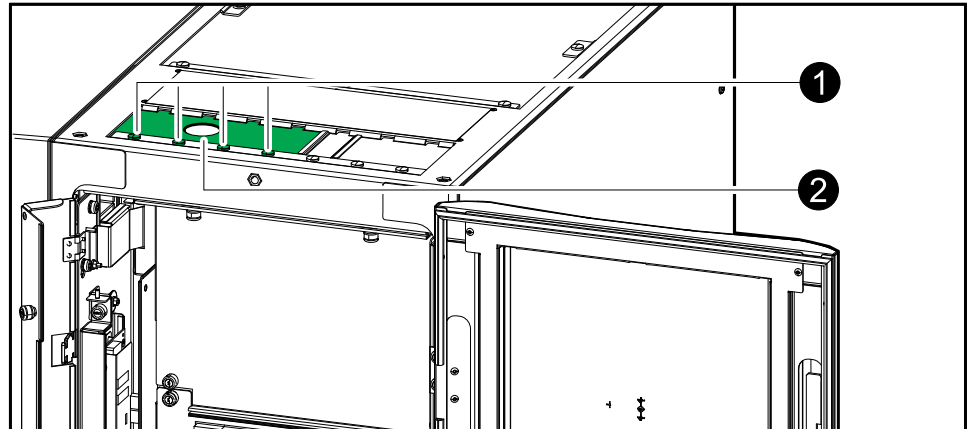
### **⚠ DANGER**

#### **HAZARD OF ELECTRIC SHOCK, EXPLOSION, OR ARC FLASH**

Do not drill or cut holes for cables or conduits with the gland plates installed and do not drill or cut holes in close proximity to the UPS.

**Failure to follow these instructions will result in death or serious injury.**

#### Front View of the I/O Cabinet



1. Loosen the screws and remove the gland plate in the front left corner of the I/O cabinet.
2. Drill or cut holes for cables/conduits in the gland plate and reinstall the gland plate.

## Prepare the I/O Cabinet for Connection of Signal Cables in Bottom Cable Entry Systems

### **⚠ DANGER**

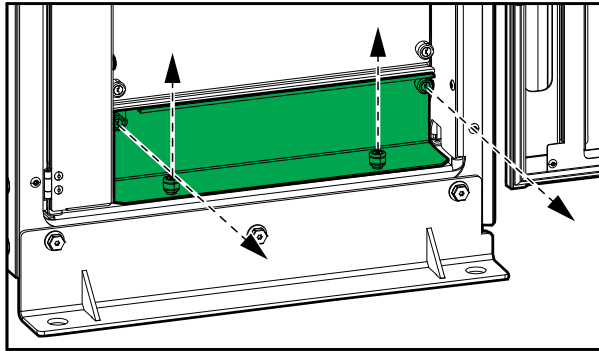
#### **HAZARD OF ELECTRIC SHOCK, EXPLOSION, OR ARC FLASH**

Do not drill or cut holes for cables or conduits with the gland plates installed and do not drill or cut holes in close proximity to the UPS.

**Failure to follow these instructions will result in death or serious injury.**

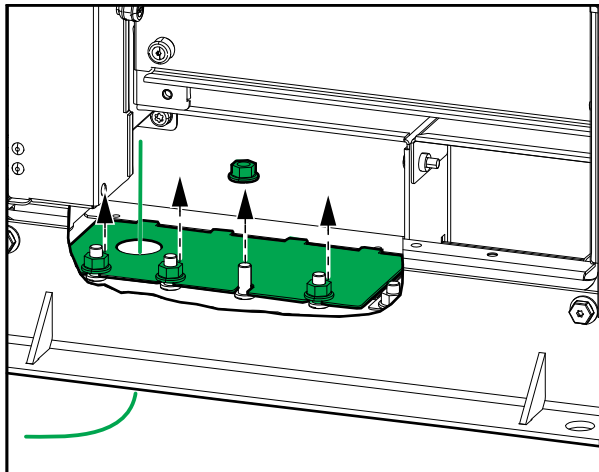
1. Loosen the thumb screws and remove the gland plate in the bottom of the I/O cabinet.

#### Front View of the I/O Cabinet



2. Loosen the screws and remove the gland plate in the front left corner of the I/O cabinet bottom cover. Drill or cut holes for cables/conduits in the gland plate and reinstall the gland plate.

#### Front View of the I/O Cabinet



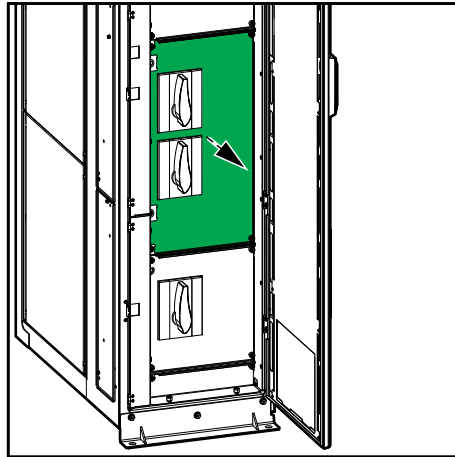
3. Reinstall the gland plate removed in step 1.

## Connect Signal Cables for Monitoring the MBB in a 1+1 Redundant Parallel System

**NOTE:** This procedure is only applicable to 1+1 redundant parallel systems.

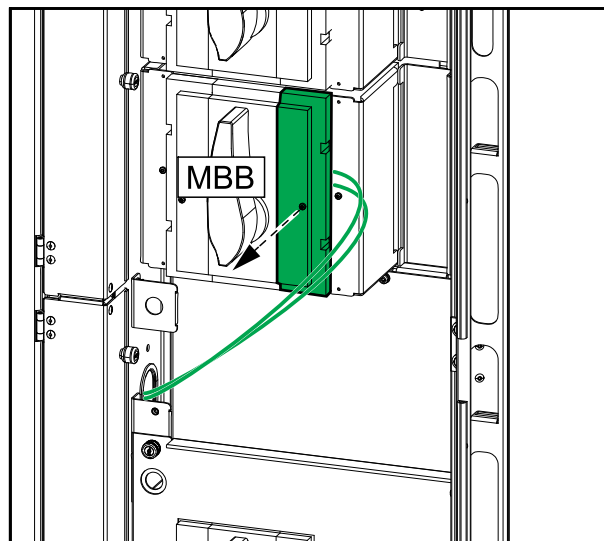
1. Remove the indicated dead front panel of the single I/O cabinet.

**Front View of the Single I/O Cabinet**



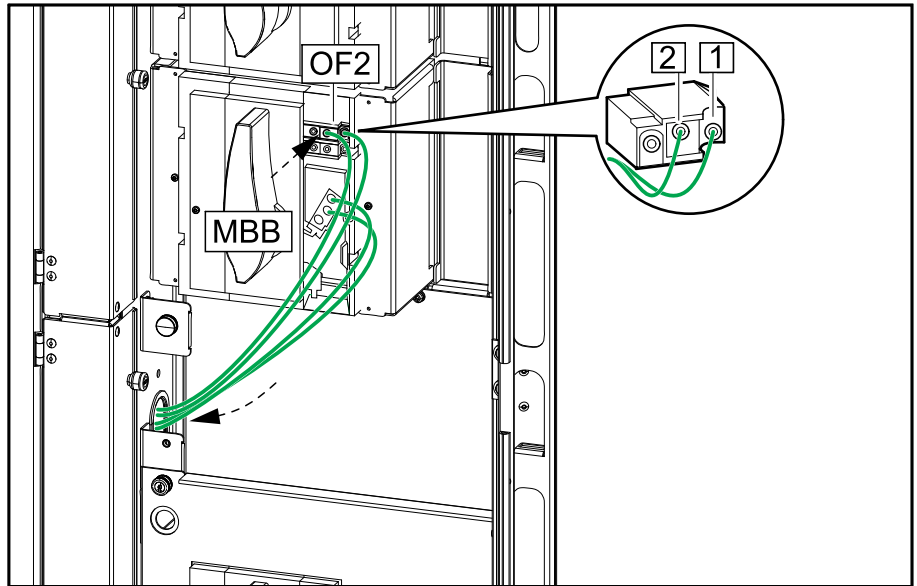
2. Remove the plate on the front of the MBB switch.

**Front View of the Single I/O Cabinet**



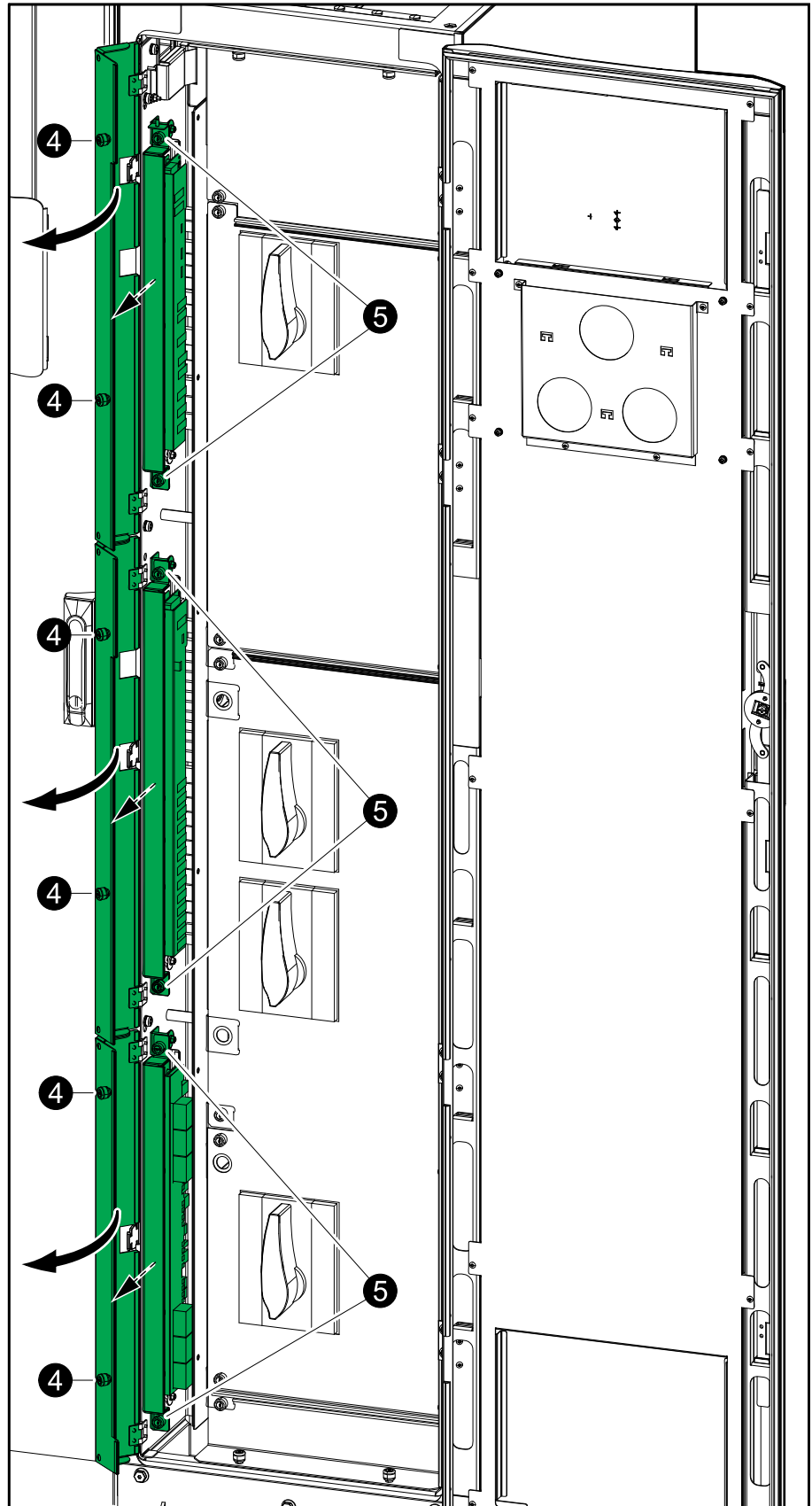
3. Install the auxiliary switch from the installation kit 0M-816654 on the front of the MBB switch in the position OF2.

### Front View of the Single I/O Cabinet



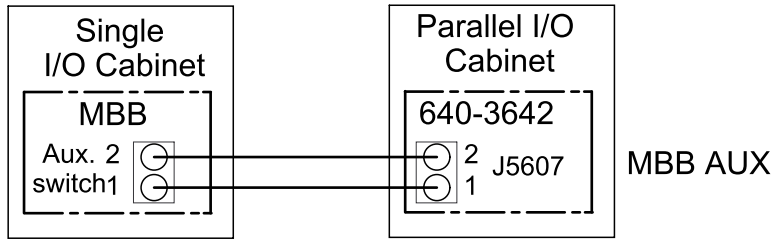
4. Loosen the thumb screws and open the covers in the left side of the single I/O cabinet and the parallel I/O cabinet.

#### Front View of the Single I/O Cabinet



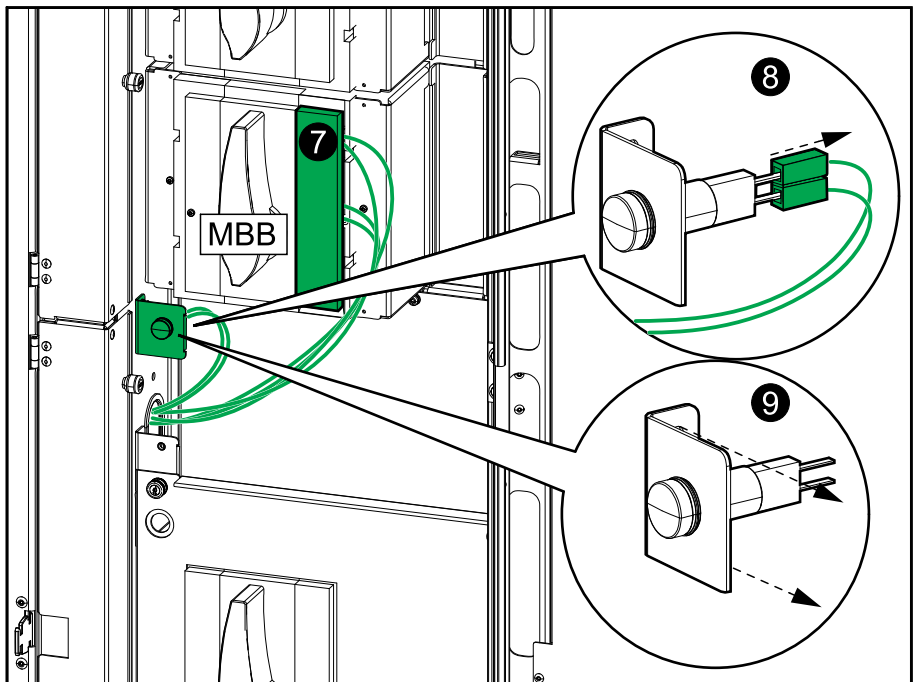
5. Loosen the thumb screws of all interface boards in the single I/O cabinet and the parallel I/O cabinet and pull out the interface boards.

- Route the signal cables from the auxiliary switch in the single I/O cabinet through the top or bottom gland plate to the bottom interface board in the parallel I/O cabinet. Connect the signal cables from the auxiliary switch to the J5607 terminal on 640-3642.

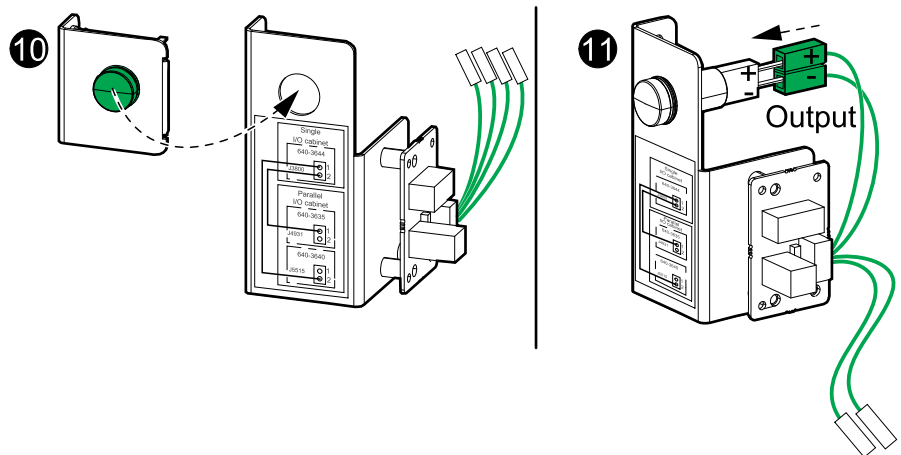


- Reinstall the plate on the front of the MBB switch.

**Front View of the Single I/O Cabinet**



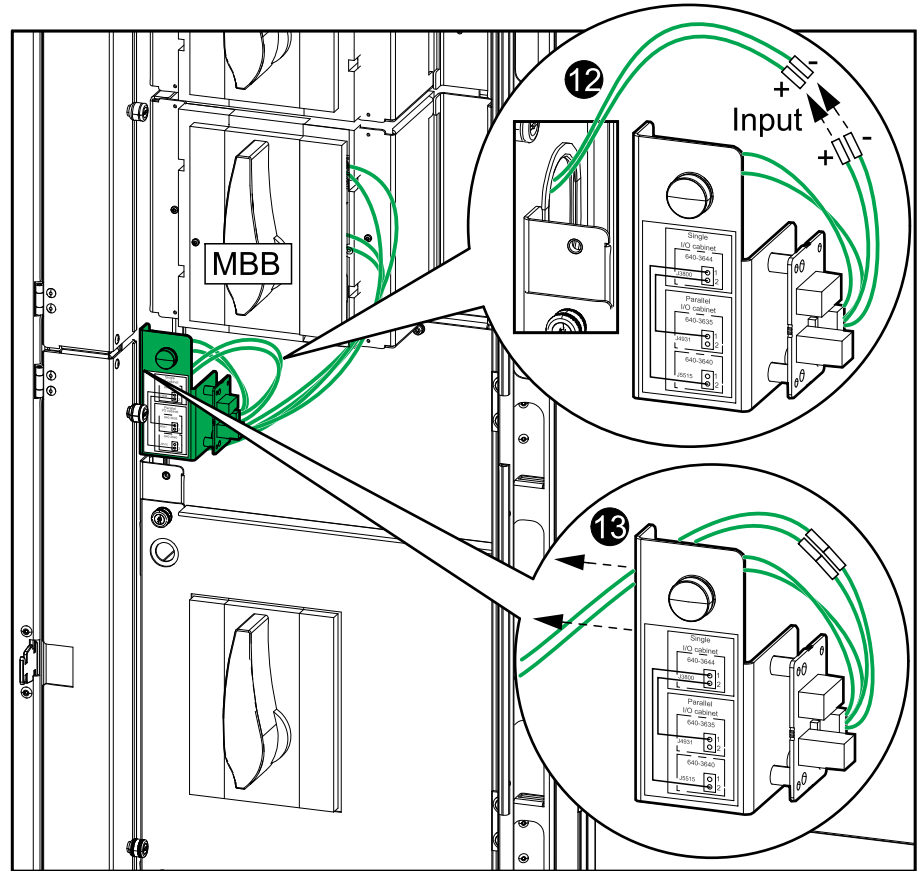
- Disconnect the signal cable from the diode in the left side of the single I/O cabinet.
- Loosen the screws and remove the bracket from the single I/O cabinet.
- Move the diode from the removed bracket to the bracket supplied in the installation kit 0H-1497.



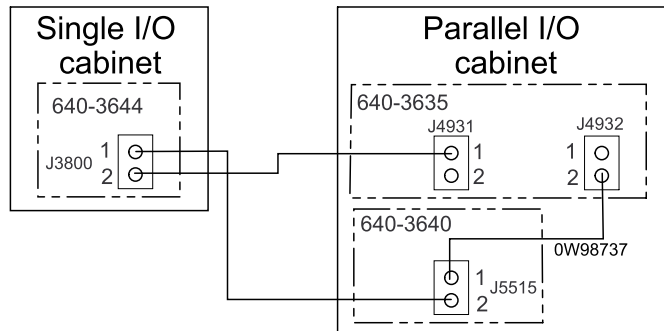
- Connect the two output signal cables from the cable connected to J3801 and connect to the diode.

12. Connect the two input signal cables from the cable connected to J3801 and connect to the cables that were disconnected from the diode in step 6.

**Front View of the Single I/O Cabinet**



13. Install the new bracket in the single I/O cabinet and fasten using the two screws from step 9.
14. Route the signal cables from the J3800 terminal on 640–3644 in the single I/O cabinet to the top and middle interface boards in the parallel I/O cabinet.



- a. Connect the signal cables to J5515 on 640–3640 and J4931 on 640–3635.
- b. In the parallel I/O cabinet, connect the jumper cable 0W98737 from J5515–1 to J4932–2.

**NOTE:** In J4932–2 a cable is already installed. Both this cable and 0W98737 must be installed in J4932–2.

15. Push all interface boards back into position in both the single I/O cabinet and the parallel I/O cabinet and fasten the thumb screws.
16. Close the covers in the left side of both the single I/O cabinet and the parallel I/O cabinet and fasten the thumb screws.



17. Reinstall the dead front panel in the single I/O cabinet.

# Connect Signal Cables between the I/O Cabinet and Optional Equipment

## Connect the Emergency Power Off (EPO)

### ⚠ DANGER

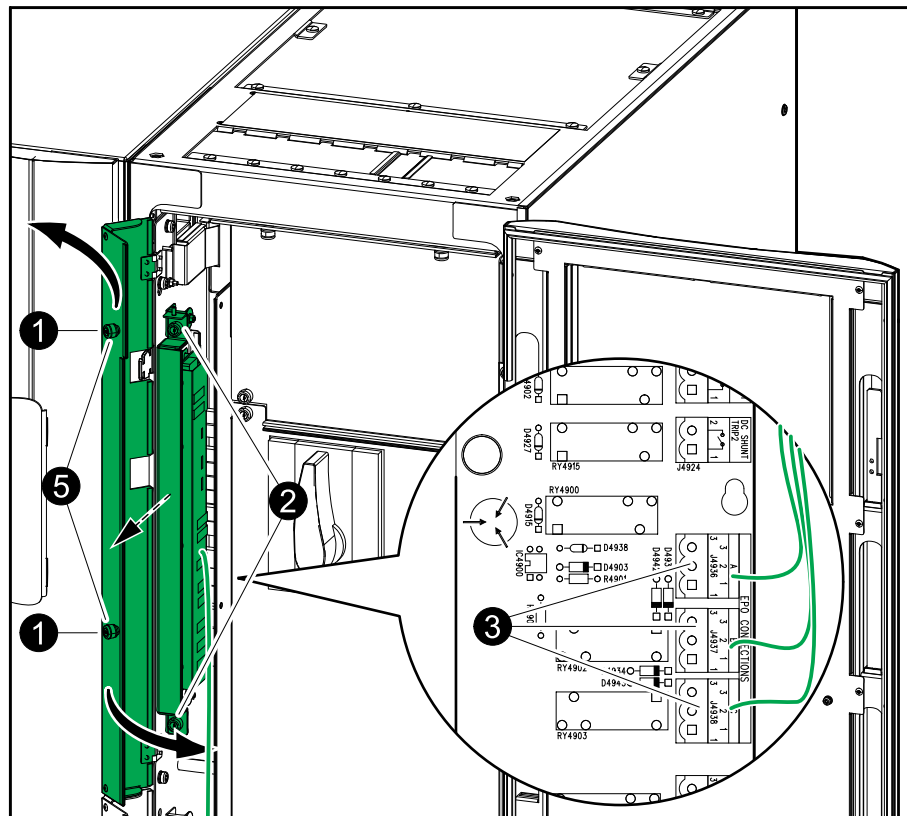
#### HAZARD OF ELECTRIC SHOCK, EXPLOSION, OR ARC FLASH

Do not drill or cut holes for cables or conduits with the covers installed and do not drill or cut holes in close proximity to the UPS.

**Failure to follow these instructions will result in death or serious injury.**

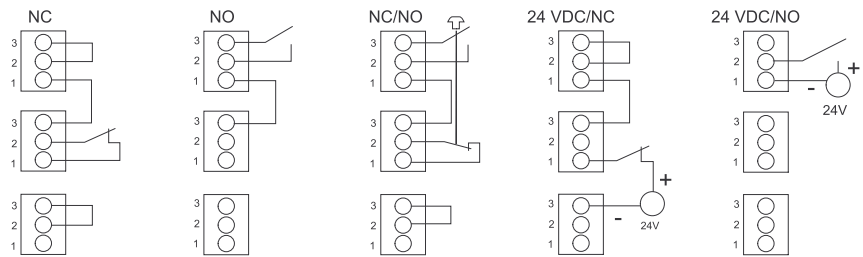
The EPO circuit is considered Class 2 and SELV. Class 2 and SELV circuits must be isolated from the primary circuitry. Do not connect any circuit to the EPO terminal block unless it can be confirmed that the circuit is SELV or Class 2.

#### Front View of the I/O Cabinet



1. Loosen the thumb screws and open the cover in the left side of the I/O cabinet.
2. Loosen the thumb screws of the top interface board and pull out the top interface board.
3. Route the cable from your EPO to the EPO terminals on the top interface board.

4. Connect to the building's EPO system according to one of the options below.



5. Push the top interface board back into position and fasten the thumb screws.
6. Close the cover in the left side of the I/O cabinet and fasten the thumb screws.

## Connect External Synchronization

### **⚠ DANGER**

#### **HAZARD OF ELECTRIC SHOCK, EXPLOSION, OR ARC FLASH**

Do not drill or cut holes for cables or conduits with the covers installed and do not drill or cut holes in close proximity to the UPS.

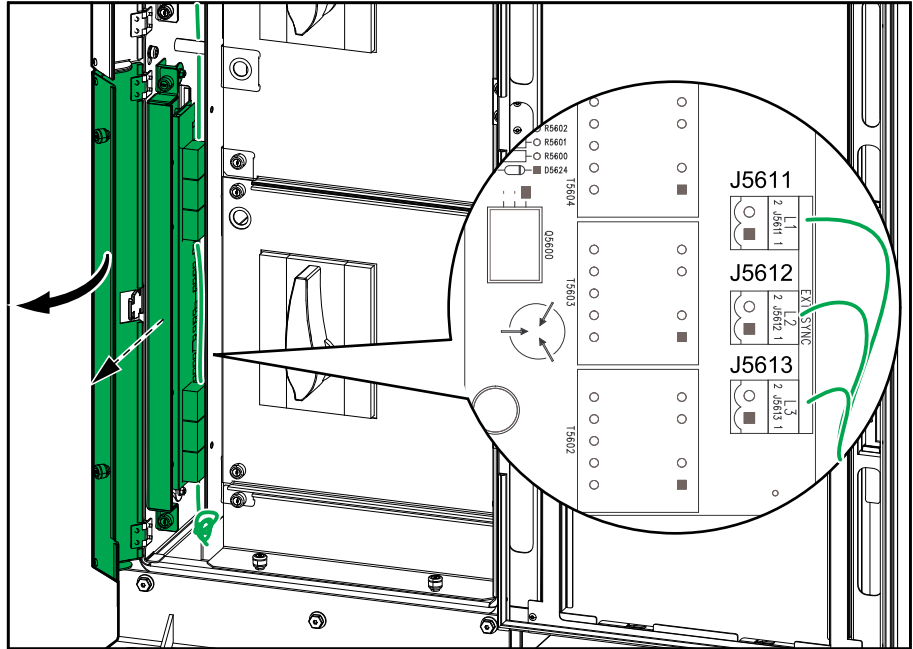
**Failure to follow these instructions will result in death or serious injury.**

1. Loosen the thumb screws and open the cover in the left side of the I/O cabinet.
2. Loosen the thumb screws of the middle and bottom interface board and pull out the interface boards.
3. Route the external synchronization cables in the left side and to the bottom and middle interface boards in the I/O cabinet.
4. Connect the status synchronization cables according to one of the diagrams below.

5. Connect the voltage synchronization cables according to one of the diagrams below:

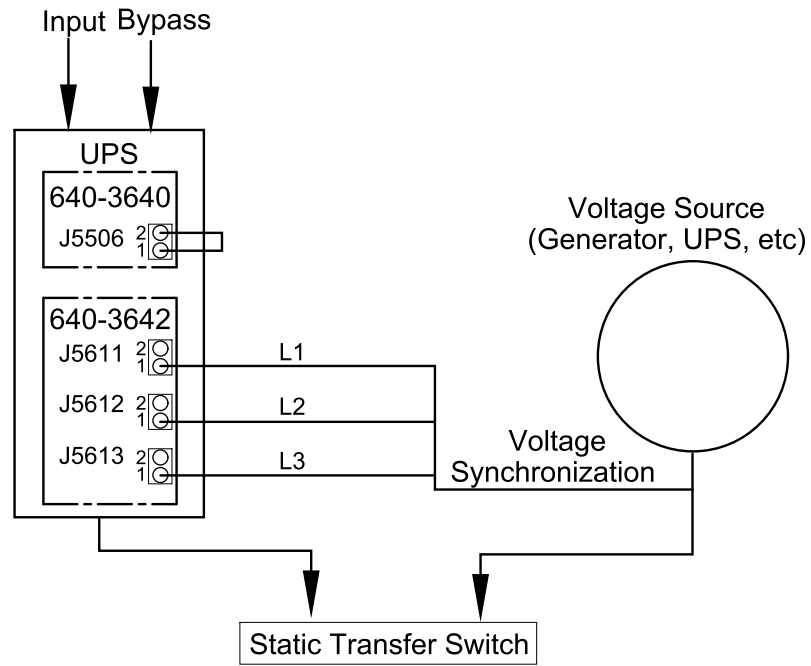
**NOTE:** The external synchronization must at a minimum be connected by a 500 V 0.25–2.5 mm<sup>2</sup> stranded wire that must be protected by a 0.5 A fuse capable of withstanding 65 kA.

#### Front View of the I/O Cabinet

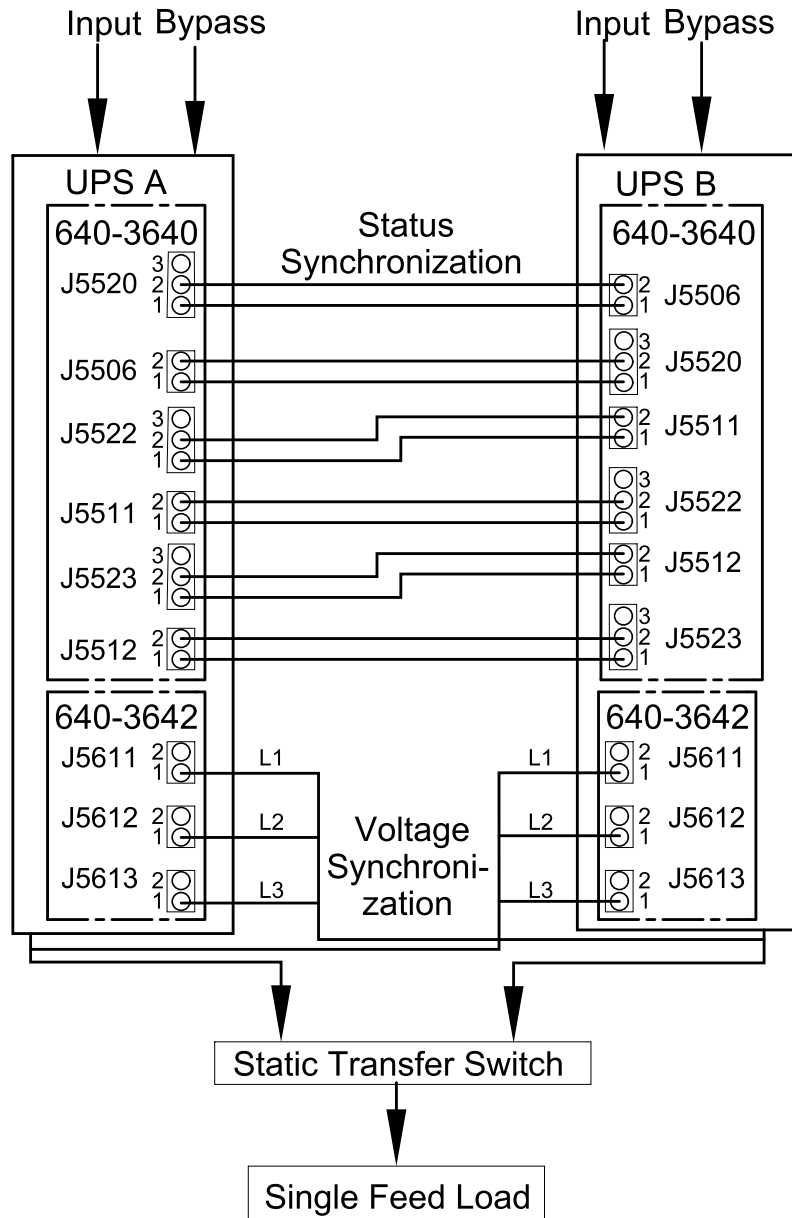


- a. Connect L1 to J5611 on 640–3642.
  - b. Connect L2 to J5612 on 640–3642.
  - c. Connect L3 to J5613 on 640–3642.
6. Push the interface boards back into position and fasten the thumb screws.
  7. Close the cover in the left side of the I/O cabinet and fasten the thumb screws.

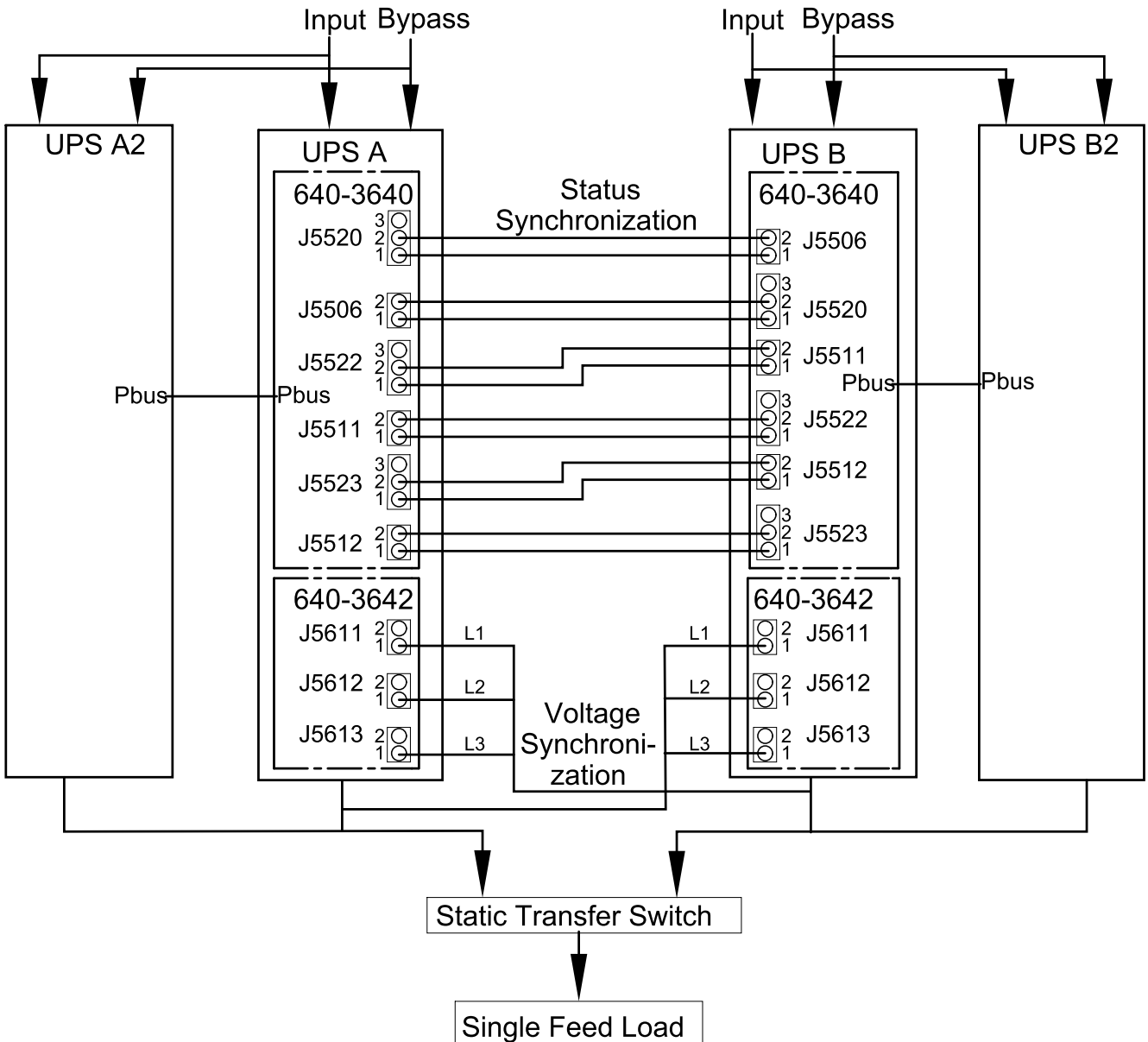
### Basic UPS Synchronization to a Fixed Voltage Source Diagram



### Dual UPS Synchronization with Floating Synchronization Master Diagram



## Fixed Parallel Synchronization Master Diagram



## Connect Equipment to the Input Contacts and the Output Relays

**NOTE:** Max. 250 VAC 5 A must be connected.

Input connections are considered Class 2 and SELV. Class 2 and SELV circuits must be isolated from the primary circuitry. Do not connect any circuit to the contacts unless it can be confirmed that the circuit is SELV or Class 2.

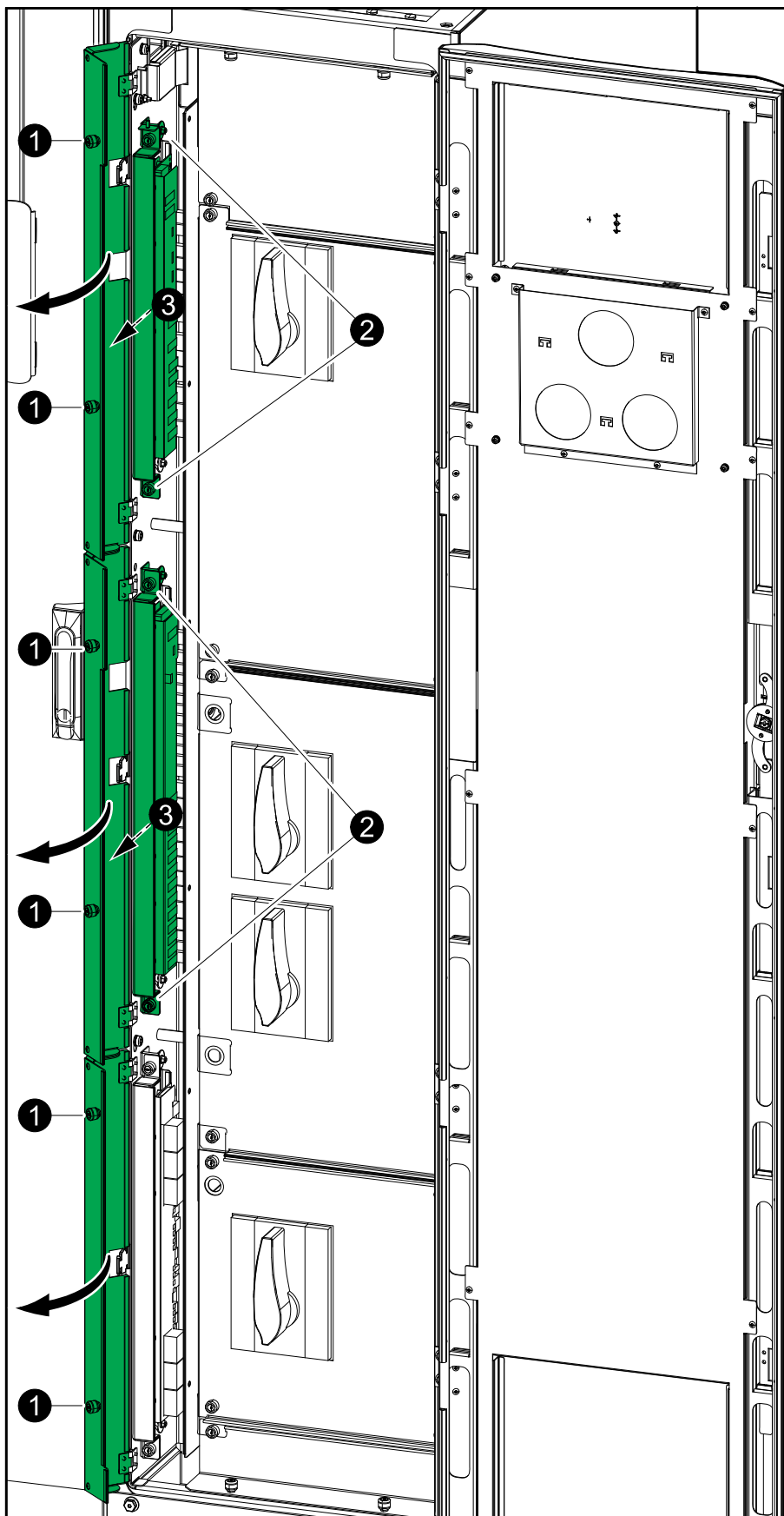
All SELV circuits connected must be grounded.

All external circuitry must be fused with maximum 5 A fast acting fuses.

1. Loosen the thumb screws and open the covers in the left side of the I/O cabinet.
2. Loosen the thumb screws of the top and middle interface boards and pull out the two interface boards.
3. Route the cables from your relays to the top and middle interface boards and connect in the I/O cabinet.
4. Push the interface boards back into position and fasten the thumb screws.

5. Close the covers in the left side of the I/O cabinet and fasten the thumb screws.

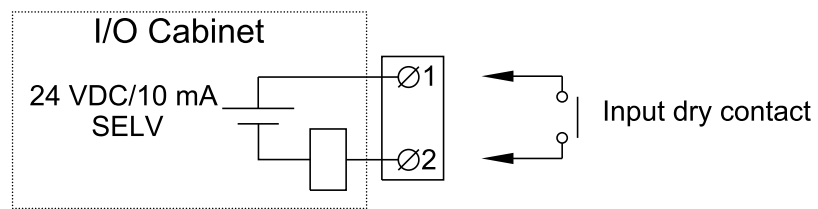
**Front View of the I/O Cabinet**





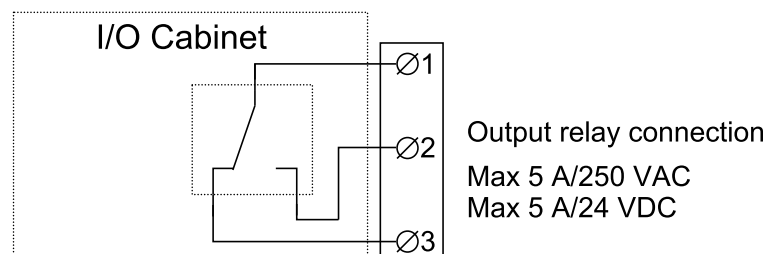
## Overview of Input Contacts and Output Relays

### Input Contacts



Name	Description	Location
IN 1 (Contact 1)	Configurable input contact	640-3640 terminal J5502
IN 2 (Contact 2)	Configurable input contact	640-3640 terminal J5503
IN 3 (Contact 3)	Configurable input contact	640-3640 terminal J5504
IN 4 (Contact 4)	Configurable input contact	640-3640 terminal J5505
IN 5 (Contact 5)	Configurable input contact	640-3640 terminal J5510
IN 6 (Contact 6)	Configurable input contact	640-3640 terminal J5509
IN 7	Transformer temperature switch	640-3640 terminal J5508
IN 9	Forced external synchronization input	640-3640 terminal J5506
IN 10	External synchronization requested input	640-3640 terminal J5511
IN 11	Use static bypass standby	640-3640 terminal J5512

### Output Relays

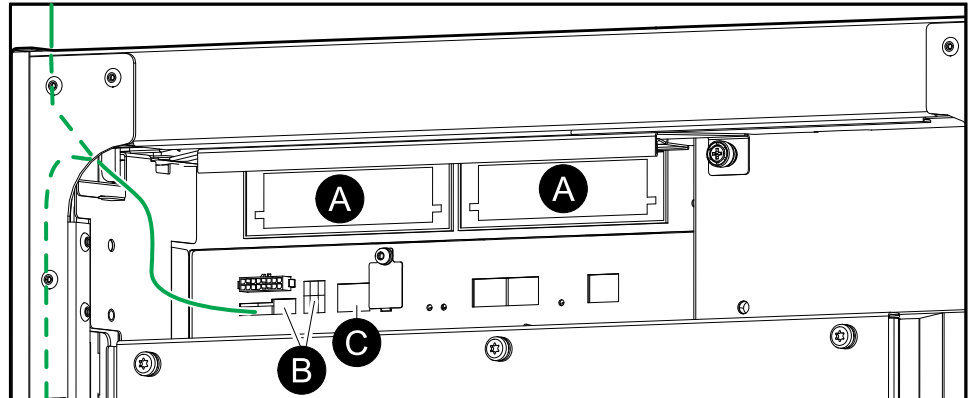


Name	Description	Location
OUT 1 (Relay 1)	Configurable output relay	640–3635 terminal J4939
OUT 2 (Relay 2)	Configurable output relay	640–3635 terminal J4940
OUT 3 (Relay 3)	Configurable output relay	640–3635 terminal J4941
OUT 4	Forced external synchronization output	640–3640 terminal J5520
OUT 5	Reserved for future use	640–3640 terminal J5521
OUT 6	External synchronization requested output	640–3640 terminal J5522
OUT 7	UPS in inverter ON	640–3640 terminal J5523
OUT 8 (Relay 4)	Configurable output relay	640–3640 terminal J5524
OUT 9 (Relay 5)	Configurable output relay	640–3640 terminal J5525
OUT 10 (Relay 6)	Configurable output relay	640–3640 terminal J5528

# External Communication

The following external communication interfaces are supported:

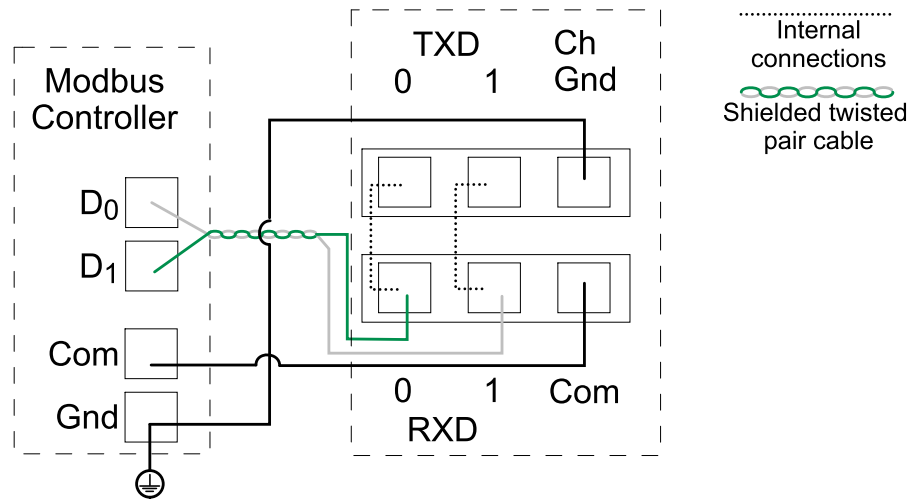
## Front View of the Power Cabinet



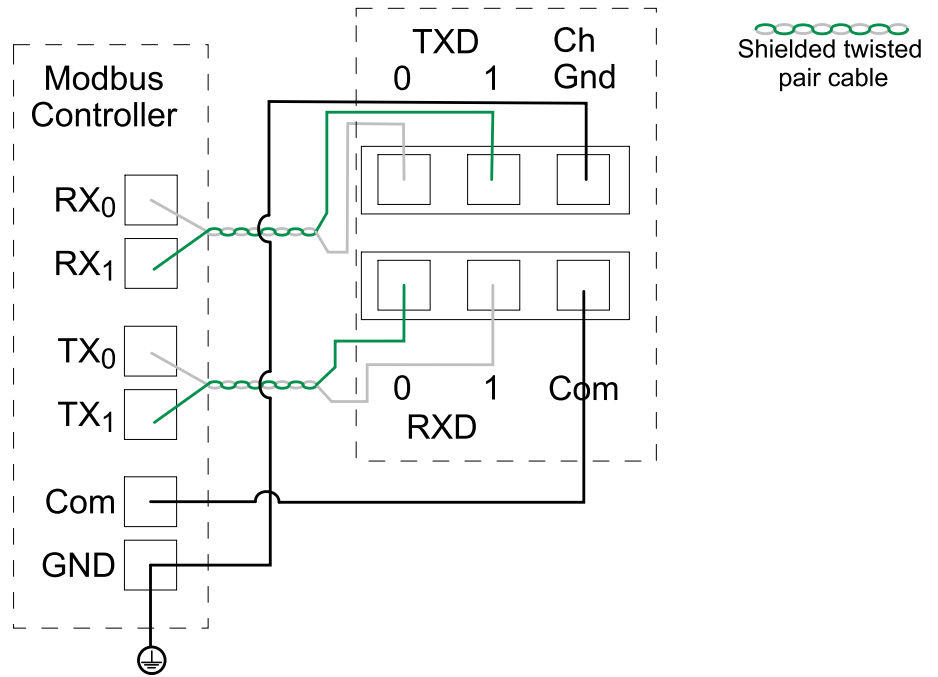
- A. Two smart slots for optional network management cards (AP9630, AP9631, or AP9635CH)  
**NOTE:** If the Dry Contact I/O AP9810 is connected to AP9631 or AP9635CH, the total length of cables for connected equipment must not exceed 30 m.
- B. Modbus and modbus dip switch settings
- C. Ethernet

## Modbus Wiring

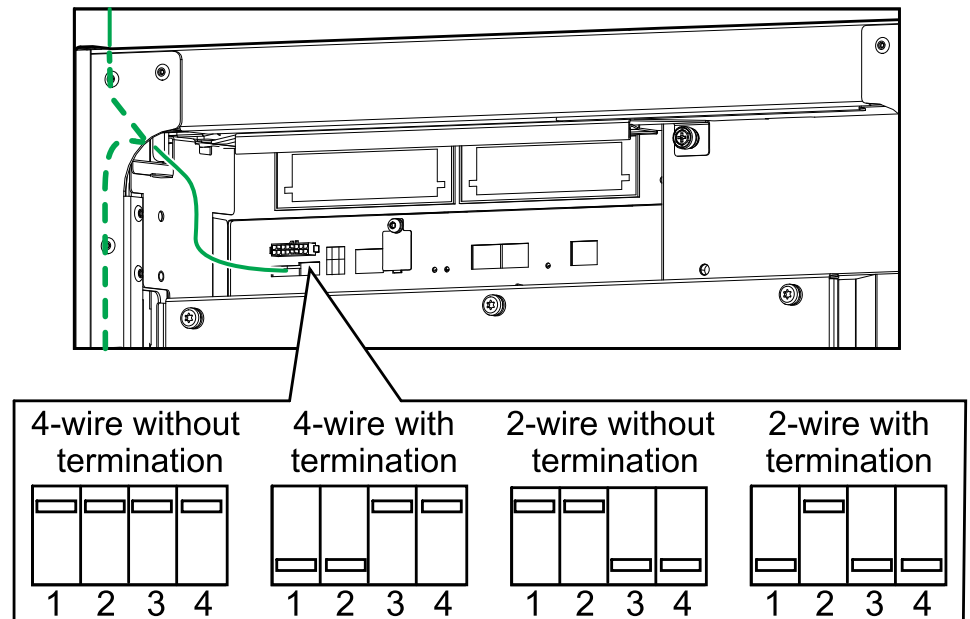
### 2-Wire Configuration



### 4-Wire Configuration



### Modbus Dip Switch Settings



Schneider Electric  
35 rue Joseph Monier  
92500 Rueil Malmaison  
France

+ 33 (0) 1 41 29 70 00



\* 9 9 0 - 4 8 8 9 E - 0 0 1 \*

As standards, specifications, and design change from time to time,  
please ask for confirmation of the information given in this publication.

© 2014 – 2019 Schneider Electric. All rights reserved.

990-4889E-001