

FXR90

Fixed RFID Reader



ZEBRA

Quick Reference Guide

MN-004846-03EN-P Rev A



ZEBRA and the stylized Zebra head are trademarks of Zebra Technologies Corporation, registered in many jurisdictions worldwide. All other trademarks are the property of their respective owners. ©2024 Zebra Technologies Corporation and/or its affiliates. All rights reserved.

Information in this document is subject to change without notice. The software described in this document is furnished under a license agreement or nondisclosure agreement. The software may be used or copied only in accordance with the terms of those agreements.

For further information regarding legal and proprietary statements, please go to:

SOFTWARE: zebra.com/linkoslegal.

COPYRIGHTS: zebra.com/copyright.

WARRANTY: zebra.com/warranty.

END USER LICENSE AGREEMENT: zebra.com/eula.

Terms of Use

Proprietary Statement

This manual contains proprietary information of Zebra Technologies Corporation and its subsidiaries ("Zebra Technologies"). It is intended solely for the information and use of parties operating and maintaining the equipment described herein. Such proprietary information may not be used, reproduced, or disclosed to any other parties for any other purpose without the express, written permission of Zebra Technologies.

Product Improvements

Continuous improvement of products is a policy of Zebra Technologies. All specifications and designs are subject to change without notice.

Liability Disclaimer

Zebra Technologies takes steps to ensure that its published Engineering specifications and manuals are correct; however, errors do occur. Zebra Technologies reserves the right to correct any such errors and disclaims liability resulting therefrom.

Limitation of Liability

In no event shall Zebra Technologies or anyone else involved in the creation, production, or delivery of the accompanying product (including hardware and software) be liable for any damages whatsoever (including, without limitation, consequential damages including loss of business profits, business interruption, or loss of business information) arising out of the use of, the results of use of, or inability to use such product, even if Zebra Technologies has been advised of the possibility of such damages. Some jurisdictions do not allow the exclusion or limitation of incidental or consequential damages, so the above limitation or exclusion may not apply to you.

Service Information

If you have a problem with your equipment, contact Zebra Global Customer Support for your region. Contact information is available at: zebra.com/support.

When contacting support, please have the following information available:

- Serial number of the unit
- Model number or product name
- Software type and version number

Zebra responds to calls by email, telephone, or fax within the time limits set forth in support agreements.

If your problem cannot be solved by Zebra Customer Support, you may need to return your equipment for servicing and will be given specific directions. Zebra is not responsible for any damages incurred during shipment if the approved shipping container is not used. Shipping the units improperly can possibly void the warranty.

If you purchased your Zebra business product from a Zebra business partner, contact that business partner for support.

About This Guide

The FXR90 industrial fixed RFID readers provide real-time, seamless EPC-compliant tags processing for asset management in rugged industrial and enterprise environments.

The FXR90 supports Wi-Fi, Bluetooth, 1000BASE-T Ethernet, POE+ and optional 5G WAN, and offers 4-port, 8-port, and integral RFID antenna variants.

This Quick Reference Guide provides information about installing, configuring, and using the FXR90 RFID reader and is intended for use by professional installers and system integrators.

Icon Conventions

The documentation set is designed to give the reader more visual clues. The following visual indicators are used throughout the documentation set.



NOTE: The text here indicates information that is supplemental for the user to know and that is not required to complete a task.



IMPORTANT: The text here indicates information that is important for the user to know.



CAUTION: If the precaution is not heeded, the user could receive a minor or moderate injury.



WARNING: If danger is not avoided, the user CAN be seriously injured or killed.

Service Information

If you have a problem with your equipment, contact Zebra Global Customer Support for your region. Contact information is available at: zebra.com/support.

When contacting support, please have the following information available:

- Serial number of the unit
- Model number or product name
- Software type and version number

Zebra responds to calls by email, telephone, or fax within the time limits set forth in support agreements.

If your problem cannot be solved by Zebra Customer Support, you may need to return your equipment for servicing and will be given specific directions. Zebra is not responsible for any damages incurred during shipment if the approved shipping container is not used. Shipping the units improperly can possibly void the warranty.

If you purchased your Zebra business product from a Zebra business partner, contact that business partner for support.

Getting Started

This section provides information on FXR90 fixed RFID reader features, parts, and LED indications.

Features

The FXR90 fixed industrial RFID readers are based on Zebra's fixed reader platform and are easy to use, deploy, and manage.

The reader offers real-time, seamless EPC-compliant tags processing for inventory management and asset tracking applications in large scale deployments. The reader offers a wide range of features that enable implementation of complete, high-performance, intelligent RFID solutions:

- Rugged construction for industrial markets such as manufacturing and transportation/logistics
- Suitable for indoor, outdoor, and vehicle-mounted use
- Wireless communication:
 - 5G WAN/GPS with CBRS support
 - WWAN
 - Wi-Fi 6
 - Bluetooth
- NFC tag for tap-to-pair
- Industrial M12 connectors
- IP65 and IP67 sealed
- Operating temperature of -40°C to +65°C
- 4 and 8 antenna port options
- Optional integrated antenna with 4-port configuration
- Support for Network Connect, IoT Connector, and MotionWorks Enterprise

FXR90 Parts

Figure 1 FXR90 Connections (Front Panel and Left Side)

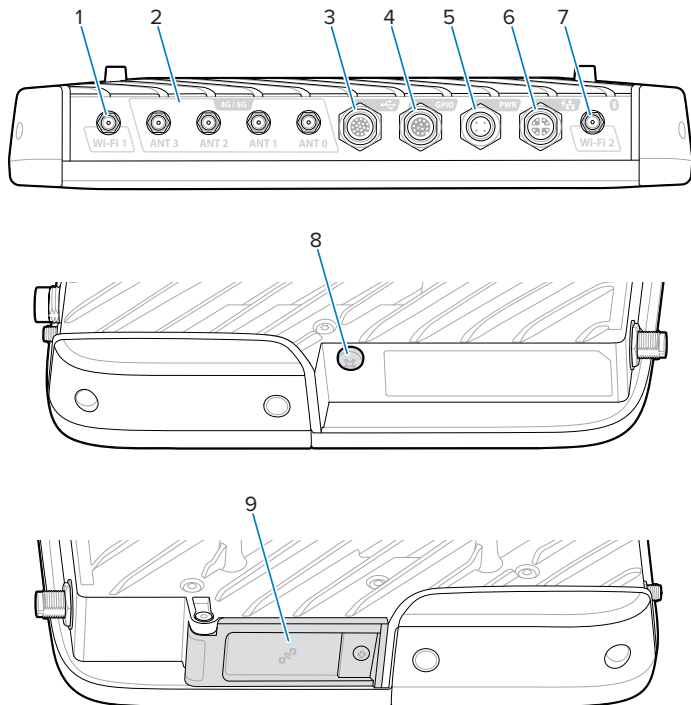


Table 1 FXR90 Connections

1	WLAN (Wi-Fi) antenna 1
2	WWAN antennas (4G / 5G / GPS) (4)
3	USB (Host & Client) (M12 Connector)
4	General Purpose Input Output (GPIO) (M12 Connector)

Table 1 FXR90 Connections (Continued)

5	DC Power Input (M12 Connector)
6	10/100/1000 Base-T Ethernet with POE+ (IEEE 802.3at compatible) (M12 Connector)
7	WLAN (Wi-Fi) / Bluetooth antenna 2
8	Grounding Screw
9	Sim Door



NOTE: Not pictured; protective connector caps are included with the device.

Figure 2 FXR90 RFID Antennas

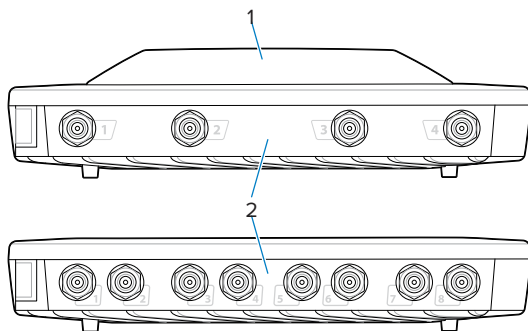


Table 2 FXR90 RFID Antennas

1	Integrated RFID antenna (optional)
2	RFID Antenna ports, RP-TNC (4 or 8)

FXR90 LEDs

The reader LEDs indicate reader status as described in the following table.

Figure 3 FXR90 LEDs

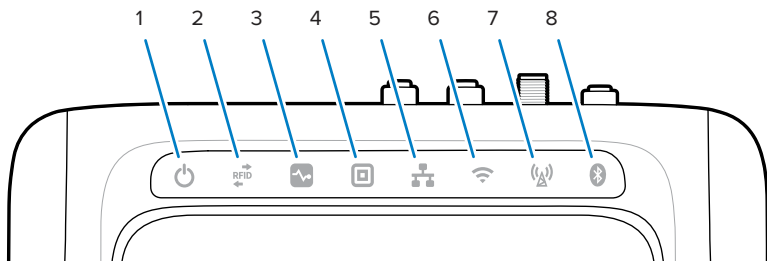


Table 3 FXR90 LED Indications

	Function	Color/Status
1	Power	Green = On Yellow = Application initialization/booting Red = Critical failure
2	Activity	Green flashing = Tag read Yellow flashing = Another tag operation Red flashing = Error in RF operation
3	Status	Green flashing = GPI event Yellow flashing = Firmware update Red = Firmware update failure
4	Application	Green, Yellow, and Red. Defined by Application.

Table 3 FXR90 LED Indications (Continued)

	Function	Color/Status
5	Ethernet	Green blinking = 1 Gbps link detected Yellow blinking = 100 Mbps link detected No LED = Cable disconnected
6	WiFi	Green = Connected Green blinking = Connecting Red = Error/Lost connection No LED = Off
7	WAN (4G/5G)	Green = Online Yellow = Offline Yellow blinking = SIM Initializing Red = SIM Failure/ No SIM Red blinking = SIM Locked/bad SIM No LED = SIM Switch/Operation unknown/ WAN setting Off
8	Bluetooth	Blue = Bluetooth Module On Blue blinking = Initializing No LED= Bluetooth Module Off

Installation and Communication

This section includes FXR90 RFID reader installation and communication procedures.



CAUTION: The FXR90 RFID reader must be professionally installed.




IMPORTANT: Only use Zebra-approved cable assemblies with the reader.

Unpacking the Reader

Remove the reader from the shipping container and inspect it for damage. Keep the shipping container; use the container if the reader needs to be returned for servicing.

Flush Mounting the Reader

The FXR90 comes standard with two mounting brackets installed on the reader that allow for flush mounting of the reader to a surface. These brackets require four #10 mounting screws.

 **NOTE:** For drywall applications, use correctly sized toggle bolts or drywall anchors.

Pre-drill a rectangle measuring 310 mm by 100 mm (12.20 in. x 3.94 in.) into the mounting surface prior to using mounting screws.


 **WARNING:**
The mounting surface must support the full device weight and the weight of any attached cables.

Figure 4 FXR90 Mechanical Dimensions

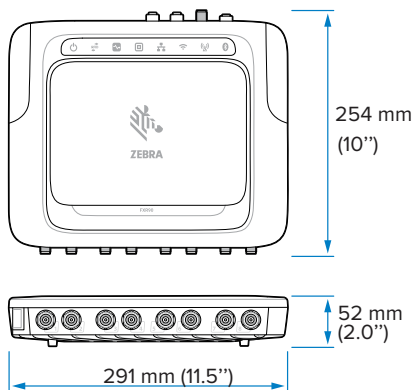


Figure 5 FXR90 Mechanical Dimensions with Brackets

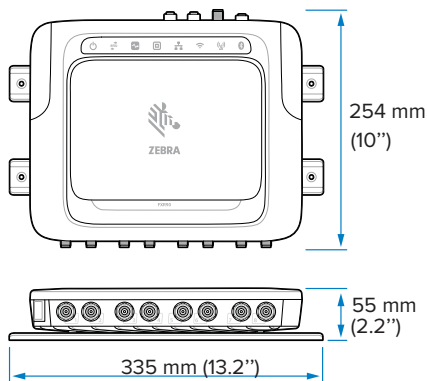


Figure 6 FXR90 Mechanical Dimensions with Antenna

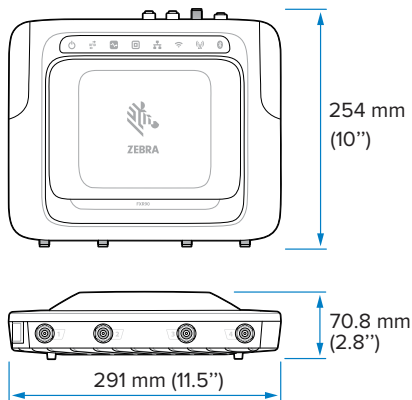
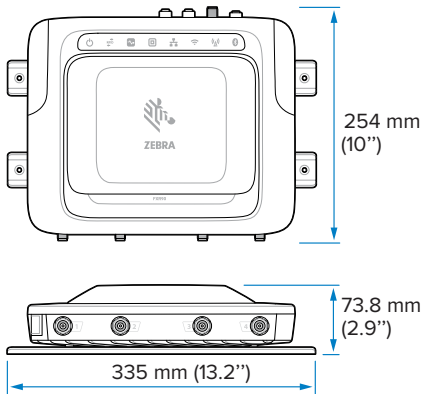
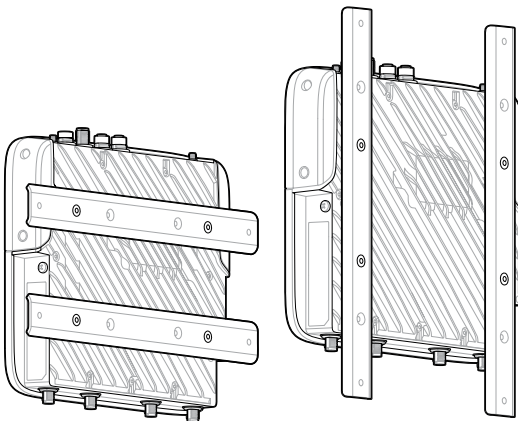


Figure 7 FXR90 Mechanical Dimensions with Antenna and Brackets



NOTE: The brackets can be rotated to support the reader's mounting in both vertical and horizontal orientations.

Figure 8 Bracket Orientations



Mounting Tips

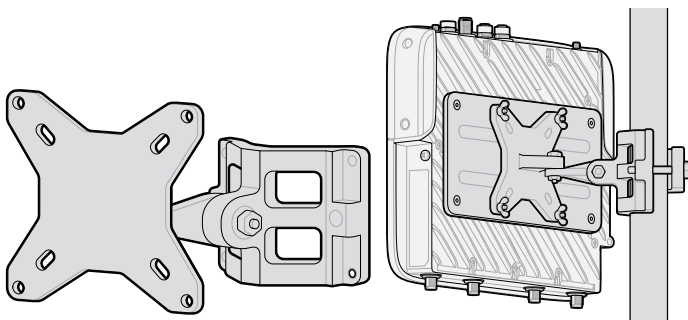
Mount the reader in any orientation. Consider the following before selecting a location for the reader.

- Mount the reader in an area free from electromagnetic interference. Sources of interference include generators, pumps, converters, non-interruptible power supplies, AC switching relays, light dimmers, and computer CRT terminals.
- Ensure that any cable losses between the reader and antenna are considered to ensure the desired level of system performance.
- Ensure that power can reach the reader.
- Ensure the reader is mounted in a location where it will not be easily disturbed, bumped, or damaged.
- Use a level for precise vertical or horizontal mounting.

VESA Mount

This section describes an external bracketing device that can be used to mount the FXR90 reader.

The VESA Mount (P/N: MNT-100100MM-01) is a heavy-duty articulating mounting bracket.



- The bracket can be used in both vertical and horizontal configurations.
- The bracket is suitable for indoor/outdoor use.
- The bracket is adjustable in both azimuth and elevation for the purpose of aiming the reader.

- The adaptor plate (P/N: ADP-200100MM-01) is assembled between the FXR90 and the VESA mounting bracket to adapt the FXR90's 200 mm x 100 mm hole pattern to the VESA mounting bracket's 100 mm x 100 mm hole pattern. Use the screws from the flush mount bracket to attach the adaptor plate. To complete the assembly, use the hardware provided with the VESA mount to attach it to the adaptor plate.

Connecting Reader Antennas

To safely install the reader antennas



IMPORTANT: The appropriate Zebra antennas provide optimal performance for various use cases. To meet optimum RF specifications, an antenna with maximum VSWR = 1.3 must be used.



CAUTION: To ground the device, use the pre-installed #10-32 x 0.250" grounding screw on the side of the device.



IMPORTANT: The protective caps should remain on all connectors when not in use, especially for outdoor applications.



WARNING: Follow all antenna installation and power connection instructions before operating the reader to avoid personal injury or equipment damage that may result from improper use. To safeguard personnel, be sure to position all antenna(s) according to the specified requirements for your regulatory region.



CAUTION: Power off the reader before connecting antennas. Never disconnect the antennas while the reader is powered on or reading tags. This can damage the reader.

Do not turn on the antenna ports from a host when the antennas are not connected.


Maximum antenna gain (including any cable loss) cannot exceed 6.7 dBiL. Ensure that the device is correctly set to the country where the reader is being used to assure regulatory compliance.

When mounting the antennas outside the building, equipment shall permanently connect to building earth (ground) by a skilled person. Perform this in accordance with applicable national electrical installation codes.

To connect the antennas to the reader, attach the RP-TNC connector coming from each antenna to an antenna port and secure the cable using wire ties. Do not bend the cable beyond the rated bend radius.

Communication and Power Connection

Use a standard Power-Over Ethernet (PoE) or PoE+ connection for the reader to a host or network.

 **IMPORTANT:** The protective caps should remain on all connectors when not in use, especially for outdoor applications.

Ethernet Connection

The reader communicates with the host using an Ethernet connection (10/100/1000 Base-T Ethernet cable).

This connection allows access to the Administrator Console, which changes reader settings and controls the reader. With a wired Ethernet connection (10/100/1000 Base-T cable), power using either the approved reader Zebra power supply or by PoE/PoE+ through the Ethernet cable.

Ethernet: Power via External Power Supply

The FXR90 RFID reader communicates to the host through a 10/100/1000 Base-T Ethernet cable and receives power through a Zebra power supply.

1. Select the 1 m, 3 m, 5 m, or 15 m Ethernet cable.
2. Connect the Ethernet cable to the FRX90 Ethernet M12 connector.
3. Connect the other end of the Ethernet cable to the host system LAN port.
4. Assemble the power supply cable connector to the reader.
5. Route the power cable.
6. Connect the FXR90 Zebra AC power supply to a wall outlet.
7. Verify that the unit booted properly and is operational.
8. On a networked computer, open an internet browser and connect to the reader.
9. Log into the Administrator Console.

Ethernet: Power via PoE or PoE+

The PoE installation option allows the reader to communicate and receive power on the same 10/100/1000 Base-T Ethernet cable.

1. Select the 1 m, 3 m, 5 m, or 15m Ethernet cable.
2. Connect the Ethernet cable to the FXR90 Ethernet M12 connector.
3. Connect the other end of the cable to an Ethernet network with PoE or PoE+ capability.
4. Verify that the reader booted properly and is operational.
5. On a networked computer, open an internet browser and connect to the reader.
6. Log into the Administrator Console.

USB Connection

The USB port supports (by default) a Network mode of operation. This enables a secondary network interface as a virtual network adapter over USB.

The Ethernet network interface co-exists with the USB virtual network adapter. However, only one application connection (RFID or web console connection) is allowed a time. The default IPv4 to access the reader is 169.254.10.1.



IMPORTANT: Keep protective caps on all connectors when not in use, especially for outdoor applications.

GPIO Interface Connection

The GPIO connection allows up to 4 inputs, 4 outputs and supplies +24 VDC for external sensors and signaling devices. The GPIO interface is electrically isolated from the reader's chassis ground, but its ground is common to the power return of the 24 VDC external supply when this is present.

Installing the SIM Card

This section provides instructions for the safe installation of the physical SIM Card.



CAUTION—ESD: Follow proper electrostatic discharge (ESD) precautions to avoid damaging the SIM card. Proper ESD

precautions include but are not limited to, working on an ESD mat and ensuring the operator is properly grounded.

1. Locate the SIM door on the device. See callout 9 in [FXR90 Parts](#).
2. Using a screwdriver, rotate the screw holding the door in a counter-clockwise direction to unlatch the door and reveal the SIM slot.
3. To install the SIM card:
 - If no SIM card is currently in place, push the SIM card into the provided slot.
 - If a SIM card is already in place, push the existing card to remove it and then push in the new SIM.
4. Using a screwdriver, rotate the screw in a clockwise direction to latch the door closed.

Connecting eSIM

This section demonstrates how to connect applicable WAN models to eSIM in the administrator console window.

To connect eSIM, the reader must be connected to the administrator console. Refer to the FXR90 Integration Guide (P/N: MN-004924-XXEN) for first-time login information.



IMPORTANT:

Before adding an eSIM, contact your carrier to obtain the eSIM service and its activation code.

The reader must have active internet connectivity via Ethernet or Wi-Fi .

1. In the **Network** tab, click **WAN** on the left sidebar of the console. The settings screen displays.
2. If WAN settings display **OFF**. Click **ON**.
3. Select the eSIM icon:
 - For first-time connection, select the pencil icon to access manage profiles. Manage Profiles displays as a dialog box.
 - If reconnecting to a previously set profile, the status will update in the center of the screen until it displays connected and the carrier name displays below the icon.

4. On the **Manage Profiles** screen:

- To add a new profile, click the plus (+) icon. Activation ID and NickName fields display. Enter the carrier information and click **ADD**.
- To switch profiles, click the box of the profile to be active. The screen displays a confirmation. Click **YES** to confirm the choice.

The dialogue box for Manage Profiles closes, and the main WAN screen displays.

5. The WAN screen displays options for IMEI, EID, Network Type, Custom, APN, and SIM PIN. Applicable fields will depend on the carrier. Complete the appropriate fields and click **Update**.

The eSIM functionality displays the phrase online in the center of the page, and the WAN function can be used.

To disconnect the eSIM, refer to the FXR90 Integration Guide (P/N: MN-004924-XXEN).

Regulatory Information

This device is approved under Zebra Technologies Corporation.

This guide applies to the following model numbers:

- FXR9000
- FXR9001
- FXR9011

All Zebra devices are designed to be compliant with the rules and regulations in the locations they are sold and will be labeled as required.

Local language translation / (BG) Превод на местен език / (CZ) Překlad do místního jazyka / (DE) Übersetzung in die Landessprache / (EL) Μετάφραση τοπικής γλώσσας / (ES) Traducción de idiomas locales / (ET) Kohaliku keele tõlge / (FI) Paikallinen käännös / (FR) Traduction en langue locale / (HR) Prijevod na lokalni jezik / (HU) Helyi nyelvé fordítás / (IT) Traduzione in lingua locale / (JA) 現地語翻訳 / (KR) 현지 언어 번역 / (LT) Vietinės kalbos vertimas / (LV) Tulkojums vietējā valodā / (NL) Vertaling in lokale taal / (PL) Tłumaczenie na język lokalny / (PT) Tradução do idioma local / (RO) Traducere în limba locală / (RU) Перевод на местный язык / (SK) Preklad do miestneho jazyka / (SL) Prevajanje v lokalni jezik / (SR) Превод на локални језик / (SV) Översättning av lokalt språk / (TR) Yerel dil çevirisi / (ZH-CN) 当地语言翻译 / (ZH-TW) 當地語言翻譯 zebra.com/support

Any changes or modifications to Zebra equipment not expressly approved by Zebra could void the user's authority to operate the equipment.

Declared maximum operating temperature: 65°C



CAUTION: Only use Zebra approved and NRTL-certified accessories, battery packs, and battery chargers.

Do NOT attempt to charge damp/wet mobile computers, printers or batteries. All components must be dry before connecting to an external power source.



WARNING: This is a Class A ITE product. Operation in a residential environment could cause radio interference.

Bluetooth® Wireless Technology

This is an approved Bluetooth® product. For more information on the Bluetooth SIG listing, please visit bluetooth.com.

Regulatory Markings

Regulatory markings subject to certification are applied to the device. Refer to the Declaration of Conformity (DoC) for details of other country markings. The Doc is available at: zebra.com/doc.


Health and Safety Recommendations

This section provides important health and safety recommendations.

Vehicle Installation

RF signals may affect improperly installed or inadequately shielded electronic systems in motor vehicles (including safety systems). Check with the manufacturer or its representative regarding your vehicle. Ensure the equipment is installed to avoid driver distractions. You should also consult the manufacturer about any equipment that has been added to your vehicle.

Position the device within easy reach. User should be able to access the device without removing their eyes from the road.

 **IMPORTANT:** Before installing or using, check national and local laws regarding distracted driving.

Safety on the Road

Give your full attention to driving. Obey the laws and regulations on the use of wireless devices in the areas where you drive.

The wireless industry reminds you to use your device / phone safely when driving.

Restricted Use Locations

Remember to observe restrictions and obey all signs and instructions on the use of electronic devices in restricted use locations.

Safety in Hospitals and Aircraft



Wireless devices transmit radio frequency energy that may affect medical electrical equipment and aircraft operation. Wireless devices should be switched off wherever you are requested to do so in hospitals, clinics, healthcare facilities, or by airline staff. These requests are designed to prevent possible interference with sensitive equipment.

Medical Devices

It is recommended that a minimum separation distance of 20 cm (8 inches) be maintained between a wireless device and medical devices such as pacemakers, defibrillators, or other implantable devices to avoid potential interference with the medical device. Pacemaker users should keep the device at the opposite side of the pacemaker or turn OFF the device if suspected of interference.

Please consult your physician or the manufacturer of the medical device to determine if the operation of your wireless product may interfere with the medical device.

RF Exposure Guidelines



CAUTION: Important Safety Information

Reducing RF Exposure – Use Properly

Only operate the device in accordance with the instructions supplied.

The device complies with internationally recognized standards covering human exposure to electromagnetic fields. For information on international human exposure to electromagnetic fields, refer to the Zebra Declaration of Conformity (DoC) at zebra.com/doc.

Use only Zebra tested and approved headset, belt-clips, holsters, and similar accessories to ensure RF exposure compliance. If applicable, follow the instructions for use as detailed in the accessory guide.


The use of third-party belt clips, holsters, and similar accessories may not comply with RF exposure compliance requirements and should be avoided.

For further information on the safety of RF energy from wireless devices, refer to RF exposure and assessment standards section at zebra.com/responsibility.

To satisfy RF exposure requirements, this device must operate with a minimum separation distance of 30 cm or more from a user's body and nearby persons.

Power Supply

This device may be powered by either an external power supply or Power over Ethernet (PoE) 802.3af or 802.3at power source. Ensure the applicable instructions are followed.

 **WARNING: ELECTRICAL SHOCK** Use only a Zebra approved, Certified ITE [LPS] power supply with appropriate electrical ratings. Use of alternative power supply will invalidate any approvals given to this unit and may be dangerous.

This device must be powered from a 802.3af or 802.3at compliant power source which meets local compliance requirements.

Marking and European Economic Area (EEA)

Statement of Compliance

Zebra hereby declares that this radio equipment is in compliance with Directives 2014/53/EU and 2011/65/EU.

Any radio operation limitations within EEA countries are identified in Appendix A of EU Declaration of Conformity. The full text of the EU Declaration of Conformities is available at: zebra.com/doc.

EU Importer : Zebra Technologies B.V

Address: Mercurius 12, 8448 GX Heerenveen, Netherlands

Environmental Compliance

For compliance declarations, recycling information, and materials used for products and packaging, please visit zebra.com/environment.

Waste Electrical and Electronic Equipment (WEEE)

For EU and UK Customers: For products at the end of their life, please refer to recycling/disposal advice at zebra.com/weee.

United States and Canada Regulatory

Radio Frequency Interference Notices

This device complies with Part 15 of the FCC Rules. Operation is subject to the following two conditions: (1) this device may not cause harmful interference, and (2) this device must accept any interference received including interference that may cause undesired operation.



NOTE: This equipment has been tested and found to comply with the limits for a Class A digital device pursuant to Part 15 of the FCC rules. These limits are designed to provide reasonable protection against harmful interference when the equipment is operated in commercial environment. This equipment generates, uses, and can radiate radio frequency energy and, if not installed and used in accordance with the instruction manual, may cause harmful interference to radio communications. Operation of this equipment in a residential area is likely to cause harmful interference in which case the user will be required to correct the interference at his own expense.

Radio Frequency Interference Requirements – Canada

Innovation, Science and Economic Development Canada ICES-003
Compliance Label: CAN ICES-003 (A)/NMB-003(A)

This device complies with Innovation, Science and Economic Development Canada's licence-exempt RSSs. Operation is subject to the following two conditions: (1) This device may not cause interference; and (2) This device must accept any interference, including interference that may cause undesired operation of the device.

L'émetteur/récepteur exempt de licence contenu dans le présent appareil est conforme aux CNR d'Innovation, Sciences et Développement économique Canada applicables aux appareils radio exempts de licence. L'exploitation est autorisée aux deux conditions suivantes : (1) l'appareil ne doit pas produire de brouillage, et (2) l'utilisateur de l'appareil doit accepter tout brouillage radio électrique subi même si le brouillage est susceptible d'en compromettre le fonctionnement.

This device is restricted to indoor use when operating in the 5150 to 5350 MHz frequency range.

Lorsqu'il fonctionne dans la plage de fréquences 5 150- 5350 MHz, cet appareil doit être utilisé exclusivement en extérieur.

This radio transmitter 109AN-FXR9000,109AN-FXR9001,109AN-FXR9011 has been approved by Innovation, Science and Economic Development Canada to operate with the antenna types listed below, with the maximum permissible gain indicated. Antenna types not included in this list and having a gain greater than the maximum gain indicated for that type, are strictly prohibited for use with this device.

Le présent émetteur radio 109AN-FXR9000,109AN-FXR9001,109AN-FXR9011 a été approuvé par Innovation, Sciences et Développement économique Canada pour fonctionner avec les types d'antenne énumérés cidessous et ayant un gain admissible maximal. Les types d'antenne non inclus dans cette liste, et dont le gain est supérieur au gain maximal indiqué pour tout type figurant sur la liste, sont strictement interdits pour l'exploitation de l'émetteur

Antenna 1 ID: WLAN

Dipole: 4.37 dBi, 50 ohms

Antenna 2 ID: RFID

Patch: 6.7 dBi, 50 ohms

RF Exposure Requirements - FCC and ISED

The FCC has granted Equipment Authorization for this device with all reported SAR levels evaluated in compliance with the FCC RF emission

guidelines. SAR information on this device is on file with the FCC and can be found under the Display Grant section of fcc.gov/oet/ea/fccid.

To satisfy RF exposure requirements, this device must operate with a minimum separation distance of 30 cm or more from a user's body and nearby persons.

Pour satisfaire aux exigences d'exposition aux radio fréquences, cet appareil doit fonctionner avec une distance de séparation minimale de 30 cm ou plus de corps d'une personne.

To ensure compliance with FCC/ISED RF exposure requirement, the user shall keep the front of the RFID Device transmitting antenna at least 30 cm away from any nearby persons.

Pour assurer la conformité avec l'exigence d'exposition aux radiofréquences USED, l'utilisateur doit garder l'avant de l'antenne d'émission du dispositif RFID au moins 30 cm de toute personne proximite

Hotspot Mode

To satisfy RF exposure requirements in hotspot mode, this device must operate with a minimum separation distance of 30.0 cm or more from a user's body and nearby persons.

Pour satisfaire aux exigences d'exposition RF en mode hotspot, cet appareil doit fonctionner avec une distance de séparation minimale de 30,0 cm ou plus du corps de l'utilisateur et des personnes proximite

Mobile Devices

This equipment complies with RF Exposure limits established for an uncontrolled environment (General Population). This equipment should be installed and operated in such a way that a separation distance of greater than 30 centimeters is maintained between the transmitter's radiating structure(s) and the body of the user or nearby persons.

Cet équipement est conforme aux limites d'exposition aux RF tablies pour un environnement non contrlé (population gnrale). Cet équipement doit tre install et utilis de manire maintenir une distance de séparation suprieure 30 centimtres entre la (les) structure (s) rayonnante (s) de l'metteur et le corps de l'utilisateur ou des personnes proximite

Remote and Standalone Antenna Configurations

To comply with FCC/ISED RF exposure requirements, antennas that are mounted externally at remote locations or operating near users at stand-alone desktop or similar configurations must operate with a minimum separation distance of 30 cm from the user or nearby persons.

La conformité aux normes d'exposition RF établies par les organismes FCC/ISED exige une distance minimale de 30 cm entre l'antenne et l'utilisateur ou toute personne à proximité lorsque celle-ci est installée à l'extérieur ou lorsqu'elle est placée sur un bureau ou dans une configuration similaire.

Co-located Statement

To comply with FCC RF exposure compliance requirement, the antenna used for this transmitter must not be co-located (within 20 cm) or operating in conjunction with any other transmitter/antenna except those already approved in this filling.

Hotspot ISED Notice

When operating in hotspot mode, this device is restricted to indoor use when operating in the 5150 - 5350 MHz frequency range.

En mode de connexion partagée (hotspot), l'utilisation de cet appareil doit se faire exclusivement en extérieur lorsqu'il fonctionne dans la plage de fréquences 5 150 - 5 350 MHz.

The maximum antenna gain permitted for devices in the bands 5250 - 5350 MHz, 5470 - 5725 MHz and 5725 - 5850 MHz shall be such that the equipment still complies with the Effective Isotropic Radiated Power (EIRP) limit.

Le gain maximal d'antenne autorisé pour les appareils fonctionnant dans les bandes de fréquences 5 250 - 5 350 MHz, 5 470 - 5 725 MHz et 5 725 - 5 850 MHz doit être tel que l'équipement respecte toujours la limite de puissance isotrope rayonnée équivalente (PIRE).

UL Listed Products with GPS

Underwriters Laboratories Inc. (UL) has not tested the performance or reliability of the Global Positioning System (GPS) hardware, operating software, or other aspects of this product. UL has only tested for fire, shock, or casualties as outlined in UL's Standard(s) for Safety for Information Technology Equipment. UL Certification does not cover

the performance or reliability of the GPS hardware and GPS operating software. UL makes no representations, warranties, or certifications whatsoever regarding the performance or reliability of any GPS related functions of this product.

Marquage UL des produits équipés d'un GPS

Les tests menés par Underwriters Laboratories Inc. (UL) ne portent ni sur les performances, ni sur la fiabilité du matériel et du logiciel d'exploitation du GPS (Global Positioning System), ni sur tout autre aspect de ce produit. UL a uniquement testé la résistance au feu, aux chocs et aux sinistres, comme le définit la norme UL60950-1 relative à la sécurité des matériels de traitement de l'information. La certification UL ne couvre ni les performances, ni la fiabilité du matériel et du logiciel d'exploitation GPS. UL ne formule aucune déclaration, ni ne délivre aucune garantie ni aucun certificat concernant les performances et la fiabilité des fonctions GPS de ce produit.

日本

Class A ITE

この装置は、クラスA 情報技術装置です。この装置を家庭環境で使用すると電波妨害を引き起こすことがあります。この場合には使用者が適切な対策を講ずるよう要求されることがあります。VCCI-A

Brasil

Este equipamento não tem direito proteção contra interferência prejudicial e não pode causar interferência em sistemas devidamente autorizados.

中国

通过访问以下网址可下载当地语言支持的产品说明书 zebra.com/support。



警告: 在生活环境中, 该产品工作时可能会造成无线电干扰。

确认进网标贴和证书真伪可查询网址: tenaa.com.cn/。

锂电池安全警示语:

如果配套使用外部电源适配器, 请确保其已通过CCC 认证



产品中有害物质的名称及含量

部件名称 (Parts)	有害物质					
	铅 (Pb)	汞 (Hg)	镉 (Cd)	六价铬 (Cr(VI))	多溴联苯 (PBB)	多溴二苯醚 (PBDE)
金属部件 (Metal Parts)	X	○	○	○	○	○
电路模块 (Circuit Modules)	X	○	○	○	○	○
电缆及电缆组件 (Cables and Cable Assemblies)	○	○	○	○	○	○



塑料和聚合物 部件(Plastic and Polymeric Parts)	○	○	○	○	○	○
光学和光学组件 (Optics and Optical Components)	○	○	○	○	○	○
打印头 (Print Heads)	○	○	○	○	○	○
电池 (Batteries)	○	○	○	○	○	○
外部电源 (Ext. Pwr Sply)	○	○	○	○	○	○

本表格依据SJ/T 11364 的规定编制。

O: 表示该有害物质在该部件所有均质材料中的含量均在 GB/T 26572 规定的限量要求以下。

X: 表示该有害物质至少在该部件的某一均质材料中的含量超出GB/T 26572 规定的限量要求。(企业可在此处, 根据实际情况对上表中打“×”的技术原因进行进一步说明。

Евразийский Таможенный Союз (EAC)

Данный продукт соответствует требованиям знака EAC.



México

La operación de este equipo está sujeta a las siguientes dos condiciones:
(1) es posible que este equipo o dispositivo no cause interferencia perjudicial y (2) este equipo o dispositivo debe aceptar cualquier interferencia, incluyendo la que pueda causar su operación no deseada.

Este equipo ha sido diseñado para operar con las antenas que enseguida se enlistan y para una ganancia máxima de antena de 6.7 dB. El uso con este equipo de antenas no incluidas en esta lista o que tengan una ganancia mayor que 6.7 dB quedan prohibidas. La impedancia requerida de la antena es de 50 ohms.

Singapore

End-users are required to obtain a site licence from the Infocomm Media Development Authority (“IMDA”) to operate RFID equipment in Singapore such as Zebra fixed and mobile RFID readers. For further information on this licensing requirement and the application process, end-users may contact IMDA (Tel: 6211 0647).

한국

이 기기는 업무용 환경에서 사용할 목적으로 적합성평가를 받은 기기로서 가정용 환경에서 사용하는 경우 전파간섭의 우려가 있습니다.

臺灣

低功率電波輻射性電機管理辦法

取得審驗證明之低功率射頻器材，非經核准，公司、商號或使用者均不得擅自變更頻率、加大功率或變更原設計之特性及功能。

低功率射頻器材之使用不得影響飛航安全及干擾合法通信；經發現有干擾現象時，應立即停用，並改善至無干擾時方得繼續使用。

前述合法通信，指依電信管理法規定作業之無線電通信。低功率射頻器材須忍受合法通信或工業、科學及醫療用電波輻射性電機設備之干擾。

應避免影響附近雷達系統之操作

公司資訊

台灣斑馬科技股份有限公司 / 台北市信義區松高路9號13樓

限用物質含有情況標示聲明書

限用物質含有情況標示聲明書

RFID	型號 (型式)					
單元Unit	限用物質及其化學符號 Restricted substances and its chemical symbols					
	鉛 (Pb)	汞 (Hg)	鎘 (Cd)	六價 鉻 (Cr +6)	多溴 聯苯 (PBB)	多溴 二苯 醚 (PBDE)
印刷電路板及電子組件	-	○	○	○	○	○
金屬零件	-	○	○	○	○	○
電纜及電纜組件	○	○	○	○	○	○
塑料和聚合物零件	○	○	○	○	○	○
光學與光學元件一	○	○	○	○	○	○
打印頭	○	○	○	○	○	○
<p>備考1. “超出0.1 wt%” 及 “超出0.01 wt%” 係指限用物質之百分比含量超出百分比含量基準值。</p> <p>備考2. “○” 係指該項限用物質之百分比含量未超出百分比含量基準值。</p> <p>備考3. “-” 係指該項限用物質為排除項目。</p> <p>Note 1: “Exceeding 0.1 wt%” and “exceeding 0.01 wt%” indicate that the percentage content of the restricted substance exceeds the reference percentage value of presence condition.</p> <p>Note 2: “○” indicates that the percentage content of the restricted substance does not exceed the percentage of reference value of presence.</p> <p>Note 3: The “-” indicates that the restricted substance corresponds to the exemption.</p>						

Türkiye

TÜRK WEEE Uyumluluk Beyanı

EEE Yönetmeliğine Uygundur.

ประเทศไทย

เครื่องโทรคมนาคมและอุปกรณ์ นี้ มีความสอดคล้อง อกตามข้อกำหนดของ กทช .

เครื่องวิทยุคมนาคมนี้ มีระดับการแผ่ คลื่นแม่เหล็กไฟฟ้าสอดคล้อง อกตามมาตรฐานความปลอดภัยต่อ อสุขภาพของมนุษย์ จากการใช้ เครื่องวิทยุคมนาคมที่คอมะกรรม การกิจการ

โทรคมนาคมแห่งชาติประกาศก าหนด



Statement of Compliance

Zebra hereby declares that this radio equipment is in compliance with the Radio Equipment Regulations 2017 and the Restriction of the Use of Certain Hazardous Substances in Electrical and Electronic Equipment Regulations 2012.

Any radio operation limitations within UK are identified in Appendix A of UK Declaration of Conformity.

The full text of the UK Declaration of Conformities is available at: zebra.com/doc.

UK Importer: Zebra Technologies Europe Limited

Address: Dukes Meadow, Millboard Rd, Bourne End, Buckinghamshire, SL8 5XF

Warranty

For the complete Zebra hardware product warranty statement, go to: zebra.com/warranty.

Service Information

Before you use the unit, it must be configured to operate in your facility's network and run your applications.

If you have a problem running your unit or using your equipment, contact your facility's Technical or System Support. If there is a problem with the equipment, they will contact Zebra support at zebra.com/support.

For the latest version of the guide go to: zebra.com/support.

Software Support

Zebra wants to ensure that customers have the latest entitled software at the time of device purchase in order to keep the device operating at peak performance levels. To confirm that your Zebra device has the latest entitled software available at the time of purchase, go to zebra.com/support.

Check for the latest software from **Support > Products**, or search for the device and select **Support > Software Downloads**.

If your device does not have the latest entitled software as of your device purchase date, e-mail Zebra at entitlementservices@zebra.com and ensure you include the following essential device information:

- Model number
- Serial number
- Proof of purchase
- Title of the software download you are requesting.

If it is determined by Zebra that your device is entitled to the latest version of software, as of the date you purchased your device, you will receive an e-mail containing a link directing you to a Zebra Web site to download the appropriate software.

Product Support Information

- For information on using this product, see the User Guide at zebra.com/support.
- To find quick answers to known product behaviors, access our knowledge articles at supportcommunity.zebra.com/s/knowledge-base.
- Ask your questions in our Support community at supportcommunity.zebra.com.
- Download product manuals, drivers, software, and view how-to videos at zebra.com/support.
- To request a repair for your product, go to zebra.com/repair.

Patent Information

To view Zebra patents, go to ip.zebra.com.

