



Sierra Wireless Antenna – 9-in-1 Dual Sharkfin

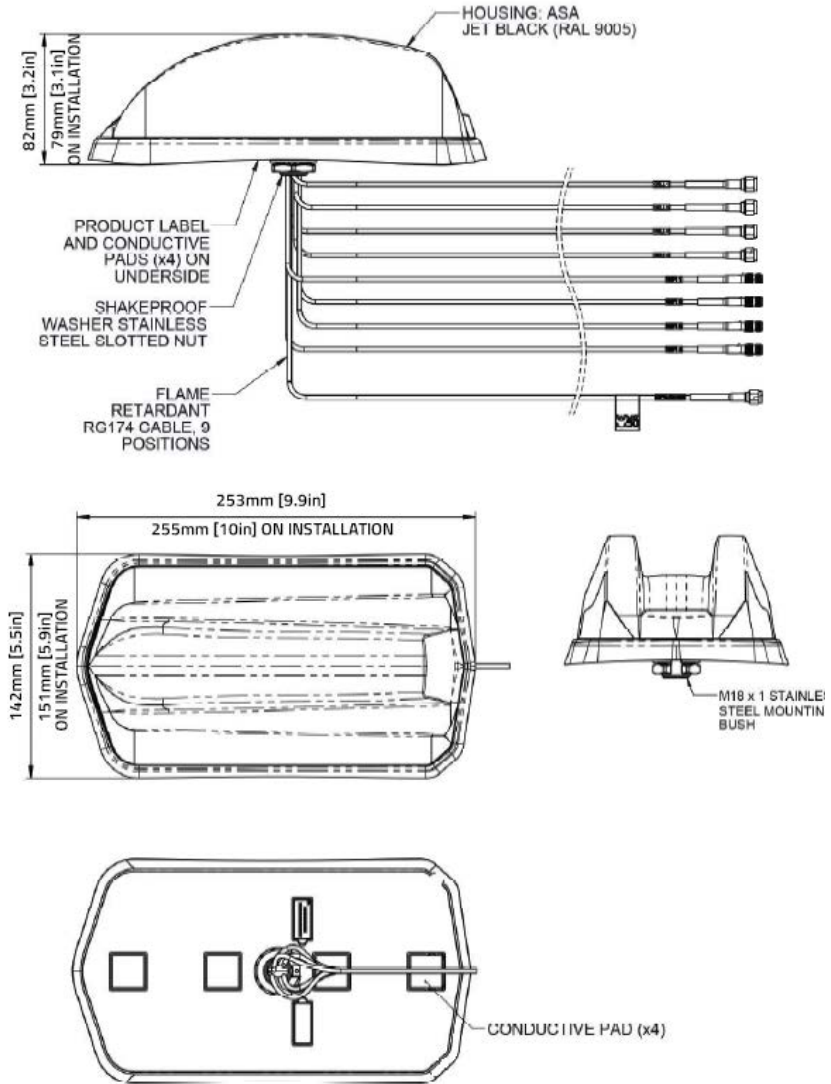
The 9-in-1 Dual Sharkfin is a specialized antenna solution engineered and certified for AirLink XR90 mobility applications.

The antenna has a sleek sharkfin-style housing featuring a 4x4 MiMo for 4G/5G (617-6000MHz), dual-band 2.5/5GHz Wi-Fi, and GNSS with an integrated gain 26dB LNA for optimized performance.

		Specification	
PART NO.		6001442 (Black)/6001501 (White)	
ELECTRICAL DATA			
Frequency Range	4G/5G Elements	617-960MHz / 1427-6000MHz	
	Wi-Fi Elements	2.4/5-6GHz	
Peak gain: Isotropic*	4G/5G Elements	617-960MHz	3.9dBi
		1427-4200MHz	6.4dBi
		4200-6000MHz	6.7dBi
	Wi-Fi Elements	2.4 GHz	4.3dBi
		5GHz	7.2dBi
Isolation*	4G/5G Elements	617-960MHz	≥7dB
		1427-6000MHz	≥ 16dB
	Wi-Fi Elements	2.4/5GHz	≥17dB
Typical Efficiency	4G/5G Elements	617-960MHz	63%
		1427-4200MHz	65%
		4200-6000MHz	55%
	Wi-Fi Elements	2.4GHz	53%
		5.0GHz	49%
Correlation Co-efficient	4G/5G Elements	<0.2	
Pattern	Omni-directional		
Impedance	50Ω		

*Simulated off a groundplane and does not include cable attenuation

		Specification
GPS/GNSS DATA		
Frequency Range		1562-1612MHz
VSWR		<2.1 ± 4MHz
Gain: LNA		26dB
Out of Band Rejection		> 35dB
Rejection at 787MHz		> 50dB
Typical Noise Figure		-2.7dB
Operating Voltage		3-5V DC
Typical Current		17mA
MECHANICAL DATA		
Dimensions	Height	82mm (3.2")
	Length	253mm (9.96")
	Width	142mm (5.56")
Operating Temp		-40° / +80°C (-40° / +176°F)
Colour		Black/White
Ingress Protection		IP69K
MOUNTING DATA		
Mounting Type		Bolt Mount
Mounting Hole		19mm (3/4")
CABLE DATA		
Cellular Cables	Type	CS32 (UN ECE R 118 Compliant)
	Length	4m (13.12")
	Termination	FAKRA D (Purple)
GPS Cable	Type	CS29 (UN ECE R 118 Compliant)
	Length	4m (13.12")
	Termination	FAKRA C (Blue)
Wi-Fi Cables	Type	CS32 (UN ECE R 118 Compliant)
	Length	4m (13.12")
	Termination	FAKRA I (Beige)
ACCESSORIES		
In The Box		Dual Sharkfin antenna with pigtails, extension cables, foam pad, mounting bolt, centre sealing pad



About Sierra Wireless

Sierra Wireless (a subsidiary of Semtech Corporation) is a world leading IoT solutions provider that combines devices, network services, and software to unlock value in the connected economy. Companies globally are adopting 4G, 5G, and LPWA solutions to improve operational efficiency, create better customer experiences, improve their business models, and create new revenue streams. Sierra Wireless works with its customers to develop the right industry-specific solution for their IoT deployments, whether this is an integrated solution to help connect edge devices to the cloud, a software/API service to manage processes with billions of connected assets, or a platform to extract real-time data to improve business decisions. With more than 25 years of cellular IoT experience, Sierra Wireless is the global partner customers trust to deliver them their next IoT solution.

For more information, visit www.sierrawireless.com.

Connect with Sierra Wireless on the IoT Blog at <http://www.sierrawireless.com/iot-blog>, on Twitter at [@SierraWireless](https://twitter.com/SierraWireless), on LinkedIn at <https://www.linkedin.com/company/sierra-wireless> and on YouTube at <https://www.youtube.com/SierraWireless>.