

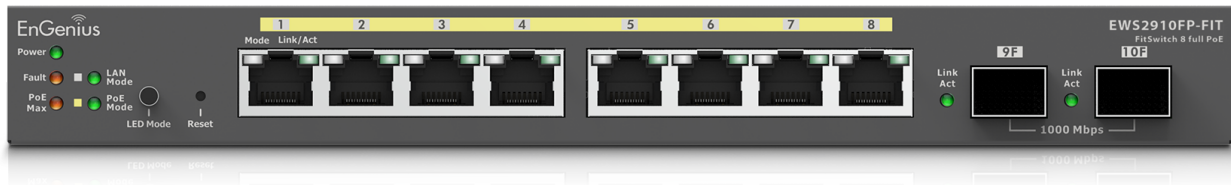


EWS2910FP-Fit



EnGenius Fit 8-Port 110W Gigabit PoE Switch

Simple • Secure • Smart



The EnGenius Fit Managed Switch EWS2910FP-FIT is an 8-port Gigabit PoE+ Layer 2 plus switch with a 110W PoE budget and 2 SFP uplink ports. It offers multiple management options for small business network environments, allowing you to select the cloud or on-premises management option that best suits your needs. With its business-class features, the EnGenius Fit Managed Switch provides secure, reliable, and high-performance switching while reducing capital and operating expenses for cost-conscious small businesses.

Key Benefits

- 8 10/100/1000 Base-T GbE ports
- Full-featured layer 2 plus switching
- 802.3at PoE ready on all ports with 110W PoE budget
- 20 Gbps switching capacity
- Setup in minutes with app-based step by step instructions
- Quick-scan device register, remote monitoring, and troubleshooting
- Real-time system metrics, analytics, and remote configurations
- Hybrid switch supports multiple management options
- From anywhere cloud visibility and control
- Monitor a site or multiple sites with no recurring cost or licensing fee
- Security - access control list/port security; 802.1x authentication
- IGMP & MLD snooping provides advanced multicast filtering & network efficiency
- 802.3ad Link Aggregation (LACP), Spanning Tree (STP), Rapid Spanning Tree (RSTP) & Multiple Spanning Tree (MSTP)
- Voice VLAN for fast, reliable deployment of VoIP services
- Advanced QoS with IPv4/IPv6 ingress traffic filtering (ACLs) & prioritization
- Standards-based technology ensures interoperability with existing standards-based network devices
- Dual firmware images improve reliability & network uptime

Technical Specifications

EWS2910FP-Fit

Port Standards

802.3 10Base-T Ethernet
 802.3u 100Base-TX Ethernet
 802.3ab 1000Base-T Ethernet
 802.3x Full-Duplex Flow Control

Network Ports

8 10/100/1000 Mbps Ports
 2 10/100/1000 Mbps SFP Ports

PoE Capable Ports

1-8 (802.3af/at)
 All Gigabit Ethernet ports can output up to 30 Watts

Total PoE Budget

110W

SDRAM

256MB

Flash Memory

32MB

Power Source

100 ~ 240VAC, 50-60Hz

Physical Interface

LED Indicators

Power LED
 Fault LED

PoE Max LED
LAN Mode LED
PoE Mode LED
Ports
Link/Activity/Speed (per Ethernet port)
Software Features
Multiple IP Interface
20 IPv6 address
ARP Table
Max. 192 ARP entries
Static ARP
Static 192 ARP entries
IPv4 Static Route
Max. 63 entries
IPv6 Static Route
Max. 21 entries
Software Features (L2 Feature)
MAC Address Table
8K
Jumbo Frame
9K
Multicast Group
Max 256 groups
Port Security
Max. 256 Entries
SSL Certificate
Certificate/Key Update
L2 Features
802.1d Spanning tree
Loopback Detection
Multicast Filtering
IGMP Multicast Forwarding
IGMP Snooping
MLD Multicast Forwarding
802.1Q VLAN tagging
802.3x flow control
802.3ad Link Aggregation
802.1d Spanning tree:
• RSTP
• CIST
• MSTP
MAC Address Check-up
ARP Inspection
ARP Packet Validation (additional validation checks)
Voice VLAN
Port-based VLAN
Protocol-Based VLAN
CoS Mapping
802. 1X Radius Authentication
Pv4 Settings

IPv6 Settings
IEEE 802. 3az Energy Efficient Ethernet (EEE)
Command Line Interface (CLI)
SSH Server
Telnet Server
TFTP Client
Configuration Upgrade/ Backup
Simple Network Time Protocol (SNTP)
SYSLOG
802.1d Spanning tree
L3 Feature
IGMP Snooping
MLD Snooping
DHCP Snooping
DHCP Relay
Static Route
Port Settings
Multicast Filtering
EEE
Port Isolation
Port Mirror
Jumbo Frames
LLDP
Security
802. 1X Radius Authentication Protocol Access
• Web:
HTTP Service
HTTPs Service
• Command Line Interface (CLI):
Telnet Service
SSH Service
Port Security
Radius Server
DoS Prevention
System Settings
IP Settings:
• IPv4 Management
• IPv6 Management
• IPv4 Network
ARP Table
ARP Statistics
Simple Network Time Protocol (SNTP)
Analyze
Log:
• Local Logging
• Remote Logging
Diagnostic
• Cable Diagnostics
• Ping Test
• IPv6 Ping Test
• Trace Route
• Connection Diagnostic

Access Control List (ACL)

MAC Based ACL

MAC ACE

IPv4 ACL

IPv4 ACE

IPv6 ACL

IPv6 ACE

ACL (Port) Binding

SNMP

SNMP v1/v2c/v3 Support

RMON

RMON 1,2,3,9

QoS

CoS Mapping

DSCP Mapping

Port CoS

Bandwidth Control

Storm control

Advanced Mode:

- Class Mapping

MIB/RFC Standards

RFC1213

RFC1493

RFC1757

RFC2674

RFC2863

Environmental & Physical

Temperature Range

Operating: 32°F to 104°F (0°C to 40°C)

Humidity (Non-Condensing)

Operating: 5% - 95%

Package Contents

1x Fit Managed 8 Ports Gigabit Switch

1x Power Adapter

Product Card

Wall mount kit

Dimensions & Weights

EWS2910FP-Fit Device

Weight: 1.36 lbs. (620 g)

Length: 9.44" (240 mm)

Width: 4.13" (105 mm)

Height: 1.06" (27 mm)

Packaging

Weight: 3.3 lbs. (1495 g)

Length: 10.67" (271 mm)

Width: 6.61" (168 mm)

Height: 3.34" (85 mm)

Master Carton

Weight: 36.15 lbs. (16.4 kg)

Length: 17.40" (442 mm)

Width: 13.66" (347 mm)

Height: 10.98" (279 mm)

No. of product boxes per master carton

10 units

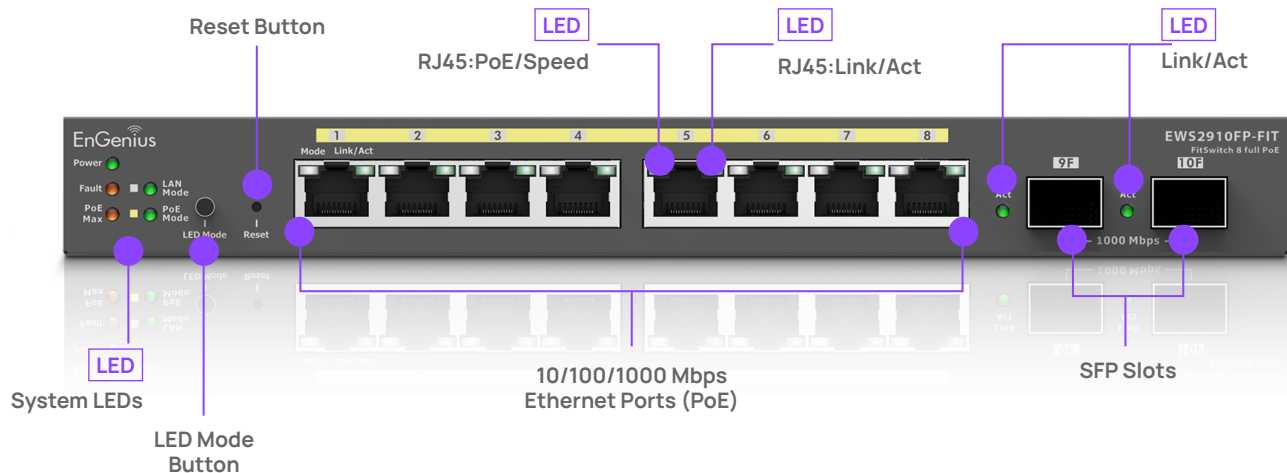
Certifications

CE, FCC, IC

Warranty

1 year

Product Images



Product Images

