

XPG GAMMIX S70 BLADE  
PCIe Gen4x4 M.2 2280 Solid State Drive

# SHARP AS A BLADE



## XPG GAMMIX S70 BLADE PCIe Gen4x4 M.2 2280 Solid State Drive

Enjoy next-gen performance with the XPG GAMMIX S70 BLADE PCIe Gen4x4 M.2 2280 solid state drive (SSD). Sporting the latest PCIe Gen4x4 interface and a host of other capabilities, this SSD is capable of reaching blazing-fast read/write speeds of up to 7,400/6,800MB per second.

### Features

- R/W speed up to 7,400/6,800MB/s for PC/laptop
- Ultra-fast PCIe Gen4 x4 interface
- Compliant with NVMe 1.4
- Work with PS5
- Read speed up to 6,300MB/s for PS5
- High-temperature resistant aluminum heat sink which is able to reduce temperatures by up to 20%
- Capacity up to 4TB
- SLC Caching and DRAM cache buffer
- Advanced LDPC ECC Technology
- E2E Data Protection and RAID Engine
- AES 256-bit encryption support
- Compact M.2 2280 form factor – ideal for gaming and high-end desktops

### Ordering Information

Capacity	Model Number	EAC Code
<b>512GB</b>	AGAMMIXS70B-512G-CS	4711085936219
<b>1TB</b>	AGAMMIXS70B-1T-CS	4711085933065
<b>2TB</b>	AGAMMIXS70B-2T-CS	4711085933072
<b>4TB</b>	AGAMMIXS70B-4T-CS	4711085937858



## Specifications

- Capacities: 512GB / 1TB / 2TB / 4TB
- NAND Flash: 3D NAND
- Interface: PCIe Gen4 x4
- Form Factor: M.2 2280
- Sequential read/write (Max.):  
Up to 7,400/6,800MB/s (PC/laptop)  
Read speed up to 6,300MB/s (PS5)
- 4K random read/write IOPS (Max.): 750K/750K
- Operating Temperature: 0°C~70°C
- Storage Temperature: -40°C~85°C
- Shock Resistance: 1500G/0.5ms
- Weight:  
10g / 0.35oz (with heat sink)  
7g / 0.24oz (without heat sink)
- Dimensions (L x W x T):  
80 x 22 x 4.3mm (with heatsink)  
80 x 22 x 3.3mm (without heatsink)
- Terabytes Written (TBW)(Max. capacity): 2960TB
- MTBF: 2,000,000 hours
- Warranty: 5-year limited
- Certifications: CE, FCC, BSMI, KC, Morocco, EAC, RCM, UKCA, RoHS

## Performance

Capacity	Sequential Performance (Up to) <sup>1</sup>		4K Random (Up to) <sup>2</sup>		PS5 (Up to)	TBW <sup>3</sup>
	Read (MB/s)	Write (MB/s)	Read (IOPS)	Write (IOPS)	Seq. Read (MB/s)	
512GB	7,200	2,600	425K	510K	6,100	370TB
1TB	7,400	5,500	740K	740K	6,100	740TB
2TB	7,400	6,800	750K	750K	6,100	1480TB
4TB	7,400	6,600	750K	750K	6,300	2960TB

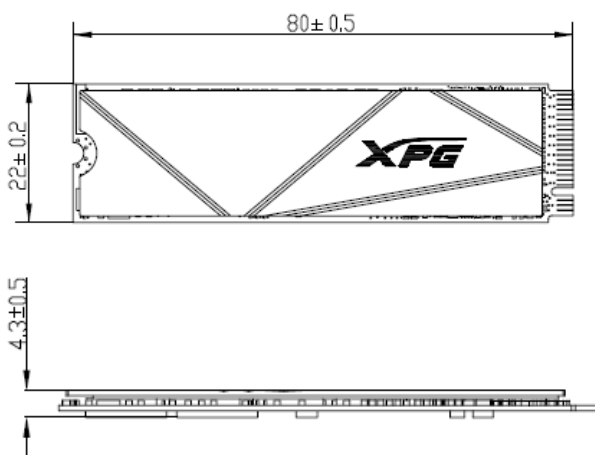
<sup>1</sup>M/B: MSI X570 GAMING PLUS, CPU: AMD Ryzen 7 3700X 8-Core Processor @ 3.60GHZ

<sup>2</sup>Performance may vary based on SSD capacity, hardware test platform, test software, operating system and other system variables

<sup>3</sup>The value is the minimum amount of terabyte written that could be reached.

## Schematics

<With heatsink>



<Without heatsink>

