

**ASRock**

# N100DC-ITX

User Manual

## Contact Information

If you need to contact ASRock or want to know more about ASRock, you're welcome to visit ASRock's website at <http://www.asrock.com>; or you may contact your dealer for further information. For technical questions, please submit a support request form at <https://event.asrock.com/tsd.asp>

### **ASRock Incorporation**

e-mail: [info@asrock.com.tw](mailto:info@asrock.com.tw)

### **ASRock EUROPE B.V.**

e-mail: [sales@asrock.nl](mailto:sales@asrock.nl)

### **ASRock America, Inc.**

e-mail: [sales@asrockamerica.com](mailto:sales@asrockamerica.com)



Scan the QR code to view more manuals and documents.

# Contents

<b>Chapter 1 Introduction</b>	<b>1</b>
1.1 Package Contents	1
1.2 Specifications	2
1.3 Motherboard Layout	4
1.4 I/O Panel	6
1.5 Block Diagram	8
<b>Chapter 2 Installation</b>	<b>9</b>
2.1 Installing Memory Module (DIMM)	10
2.2 Connecting the Front Panel Header	12
2.3 Installing the I/O Panel Shield	13
2.4 Installing the Motherboard	14
2.5 Installing SATA Drives	15
2.6 Installing a Graphics Card	17
2.7 Connecting Peripheral Devices	19
2.8 Power On	20
2.9 Jumpers Setup	21
2.10 Onboard Headers and Connectors	22
2.11 Intel® CNVi (Integrated WiFi/BT) Installation Guide	28
2.12 M.2 SSD Module Installation Guide (M2_1)	30

# Chapter 1 Introduction

Thank you for purchasing ASRock N100DC-ITX motherboard, a reliable motherboard produced under ASRock's consistently stringent quality control. It delivers excellent performance with robust design conforming to ASRock's commitment to quality and endurance.



*Because the motherboard specifications and the BIOS software might be updated, the content of this documentation will be subject to change without notice. In case any modifications of this documentation occur, the updated version will be available on ASRock's website without further notice. If you require technical support related to this motherboard, please visit our website for specific information about the model you are using. You may find the latest VGA cards and CPU support list on ASRock's website as well. ASRock website <http://www.asrock.com>.*

## 1.1 Package Contents

- ASRock N100DC-ITX Motherboard (Mini-ITX Form Factor)
- ASRock N100DC-ITX User Manual
- 2 x Serial ATA (SATA) Data Cables (Optional)
- 1 x SATA Power Cable (Optional)
- 2 x Screws for M.2 Sockets (Optional)
- 1 x I/O Panel Shield

---

## 1.2 Specifications

- Platform**
- Mini-ITX Form Factor
  - Solid Capacitor design

- CPU**
- Intel® Quad-Core Processor N100 (up to 3.4 GHz)
  - Supports Intel® Turbo Boost Technology

- Memory**
- 1 x DDR4 DIMM Slot
  - Supports DDR4 non-ECC, un-buffered memory up to 3200\*
  - \* Please refer to Memory Support List on ASRock's website for more information. (<http://www.asrock.com/>)
  - Supports ECC UDIMM memory modules (operate in non-ECC mode)
  - Max. capacity of system memory: 32GB

- Expansion Slot**
- 1 x PCIe 3.0 x4 Slot (PCIe1), supports x2 mode\*
  - 1 x M.2 Socket (Key E), supports type 2230 Intel® CNVio (Integrated WiFi/BT)
- \* Supports NVMe SSD as boot disks

- Graphics**
- Integrated Intel® UHD Graphics: 24 EUs inside (Up to 750MHz)
  - 1 x HDMI 2.1 TMDS Compatible, supports HDCP 2.2 and max. resolution up to 4K 60Hz
  - 1 x D-Sub, supports max. resolution up to Full HD (1920x1080) 60Hz

- Audio**
- 7.1 CH HD Audio (Realtek ALC897 Audio Codec)

- LAN**
- Gigabit LAN 10/100/1000 Mb/s
  - Realtek 8111H

- USB**
- 4 x USB 3.2 Gen1 (2 Rear, 2 Front)
  - 8 x USB 2.0 (4 Rear, 4 Front)
- \* All USB ports support ESD Protection

- Rear Panel I/O**
- 1 x DC Jack (Compatible with the 19V power adapter)
  - 2 x Antenna Mounting Points

- 1 x PS/2 Mouse/Keyboard Port
- 1 x Serial Port: COM1
- 1 x D-Sub Port
- 1 x HDMI Port
- 2 x USB 3.2 Gen1 Ports
- 4 x USB 2.0 Ports
- 1 x RJ-45 LAN Port
- HD Audio Jacks: Line in / Front Speaker / Microphone

- Storage**
- 1 x M.2 Socket (M2\_1, Key M), supports type 2280 PCIe Gen3x2 (16 Gb/s) mode\*
  - 2 x SATA3 6.0 Gb/s Connectors

\* Supports NVMe SSD as boot disks

- Connector**
- 1 x Print Port Header
  - 1 x SPI TPM Header
  - 1 x Chassis Intrusion and Speaker Header
  - 2 x Chassis Fan Connectors (4-pin)
  - 1 x Front Panel Audio Connector
  - 2 x USB 2.0 Headers (Support 4 USB 2.0 ports)
  - 1 x USB 3.2 Gen1 Header (Supports 2 USB 3.2 Gen1 ports)

- BIOS Feature**
- AMI UEFI Legal BIOS with GUI support

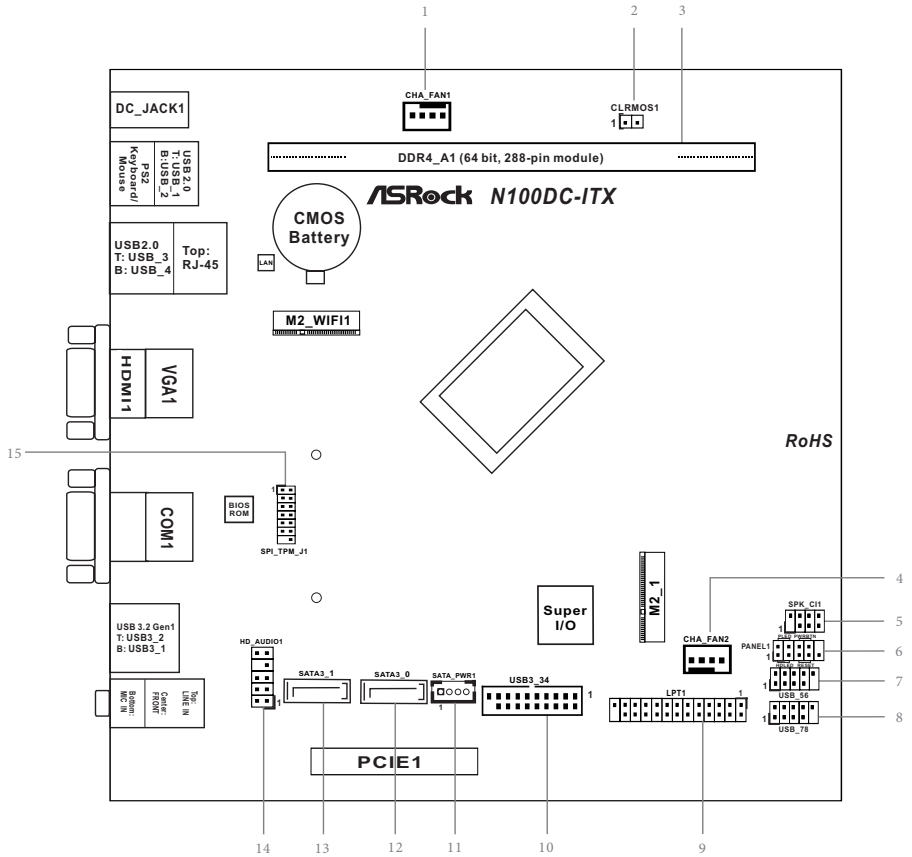
- OS**
- Microsoft® Windows® 10 64-bit / 11 64-bit

\* For detailed product information, please visit our website: <http://www.asrock.com>



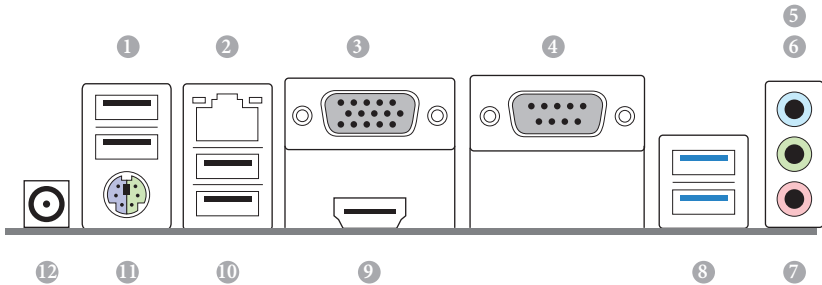
Please realize that there is a certain risk involved with overclocking, including adjusting the setting in the BIOS, applying Untied Overclocking Technology, or using third-party overclocking tools. Overclocking may affect your system's stability, or even cause damage to the components and devices of your system. It should be done at your own risk and expense. We are not responsible for possible damage caused by overclocking.

# 1.3 Motherboard Layout



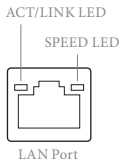
No.	Description
1	Chassis Fan Connector (CHA_FAN1)
2	Clear CMOS Jumper (CLRMOS1)
3	288-pin DDR4 DIMM Slot (DDR4_A1)
4	Chassis Fan Connector (CHA_FAN2)
5	Chassis Intrusion and Speaker Header (SPK_C11)
6	System Panel Header (PANEL1)
7	USB 2.0 Header (USB_56)
8	USB 2.0 Header (USB_78)
9	Print Port Header (LPT1)
10	USB 3.2 Gen1 Header (USB3_34)
11	SATA Power Connector (SATA_PWR1)
12	SATA3 Connector (SATA3_0)
13	SATA3 Connector (SATA3_1)
14	Front Panel Audio Header (HD_AUDIO1)
15	SPI TPM Header (SPI_TPM_J1)

## 1.4 I/O Panel



No.	Description	No.	Description
1	USB 2.0 Ports (USB_12)	7	Microphone (Pink)**
2	LAN RJ-45 Port*	8	USB 3.2 Gen1 Type-A Ports (USB3_12)
3	D-Sub Port	9	HDMI Port
4	COM Port	10	USB 2.0 Ports (USB_34)
5	Line In (Light Blue)**	11	PS/2 Mouse/Keyboard Port
6	Front Speaker (Lime)**	12	DC Jack***

\* There are two LEDs on the LAN port. Please refer to the table below for the LAN port LED indications.



Activity / Link LED		Speed LED	
Status	Description	Status	Description
Off	No Link	Off	10Mbps connection
Blinking	Data Activity	Orange	100Mbps connection
On	Link	Green	1Gbps connection

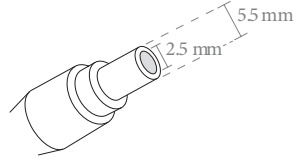
\*\* *Function of the Audio Ports in 7.1-channel Configuration:*

Port	Function
Light Blue (Rear panel)	Rear Speaker Out
Lime (Rear panel)	Front Speaker Out
Pink (Rear panel)	Central /Subwoofer Speaker Out
Lime (Front panel)	Side Speaker Out

\*\*\* Please use a 19V power adapter for the DC jack. This jack accepts dual barrel plugs with an inner diameter of 2.5 mm and an outer diameter of 5.5 mm, where the inner contact is +19V ( $\pm 10\%$ ) DC and the shell is GND.

Please refer to below hardware configuration for the estimated adapter power.

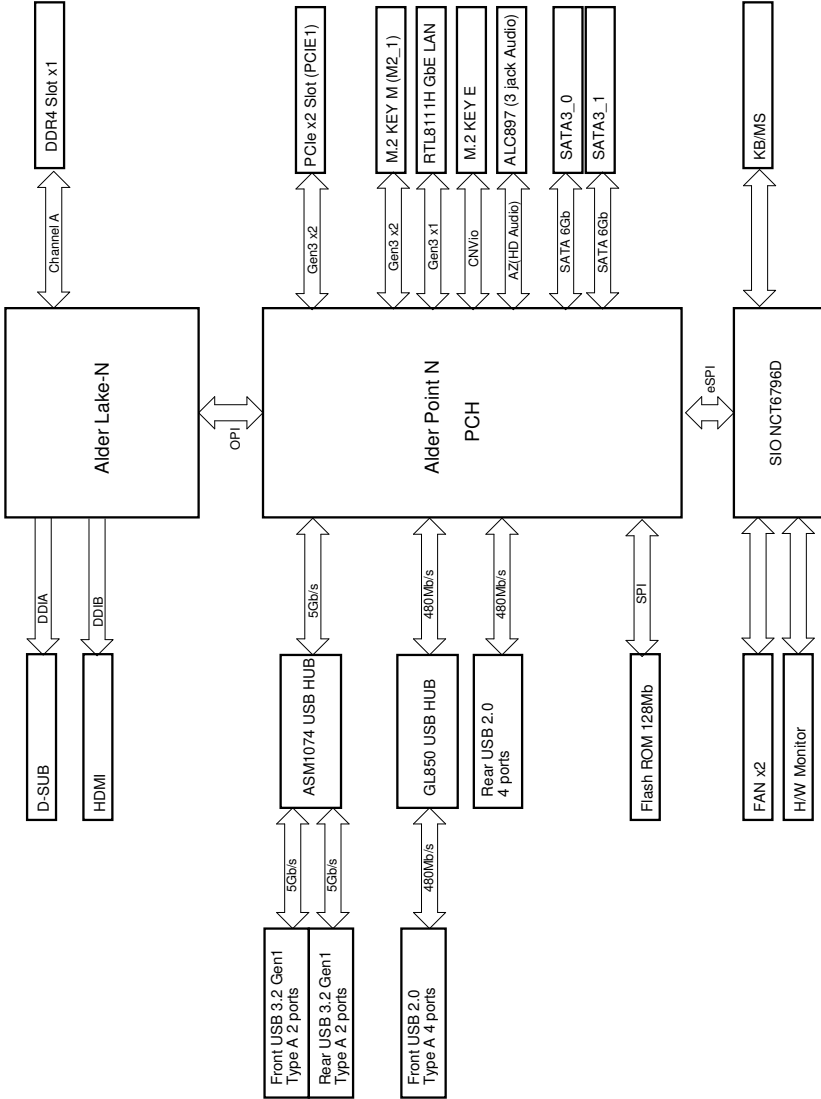
DRAM	HDD	PCIe Card	Estimated Adapter Power
1	1	0	35W
1	2	0	50W
1	1	<20W	60W
1	2	<20W	75W
1	1	<40W	85W



If you install 2 HDDs, please use the 90W DC-in 19V power adapter.

When you use the DC-in power adapter, please use the onboard SATA power connector to get the power for HDDs.

## 1.5 Block Diagram



## Chapter 2 Installation

This is a Mini-ITX form factor motherboard. Before you install the motherboard, study the configuration of your chassis to ensure that the motherboard fits into it.

### Pre-installation Precautions

Take note of the following precautions before you install motherboard components or change any motherboard settings.

- Make sure to unplug the power cord before installing or removing the motherboard components. Failure to do so may cause physical injuries and damages to motherboard components.
- In order to avoid damage from static electricity to the motherboard's components, NEVER place your motherboard directly on a carpet. Also remember to use a grounded wrist strap or touch a safety grounded object before you handle the components.
- Hold components by the edges and do not touch the ICs.
- Whenever you uninstall any components, place them on a grounded anti-static pad or in the bag that comes with the components.
- When placing screws to secure the motherboard to the chassis, please do not over-tighten the screws! Doing so may damage the motherboard.

---

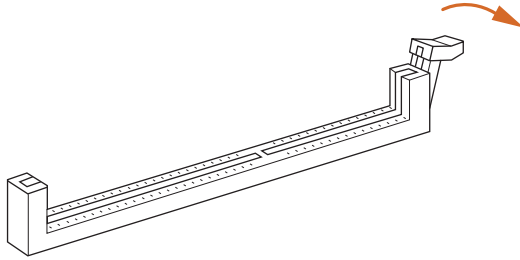
## 2.1 Installing Memory Module (DIMM)

This motherboard provides a 288-pin DDR4 (Double Data Rate 4) DIMM slot.

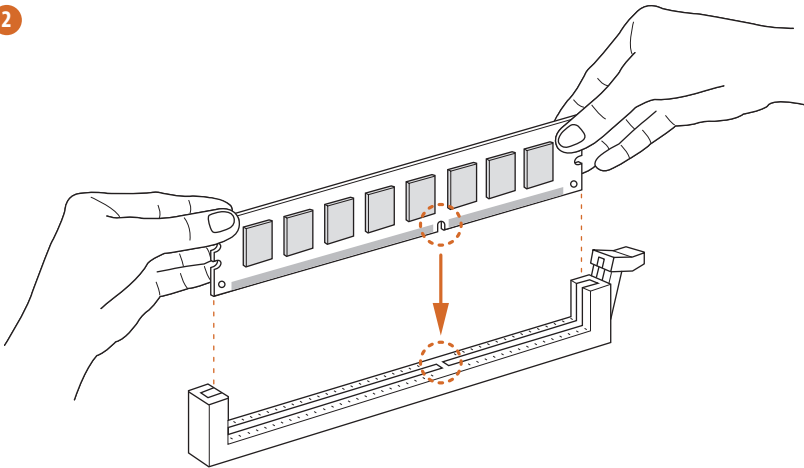


1. *It is not allowed to install a DDR, DDR2 or DDR3 memory module into a DDR4 slot; otherwise, this motherboard and DIMM may be damaged.*
2. *The DIMM only fits in one correct orientation. It will cause permanent damage to the motherboard and the DIMM if you force the DIMM into the slot at incorrect orientation.*

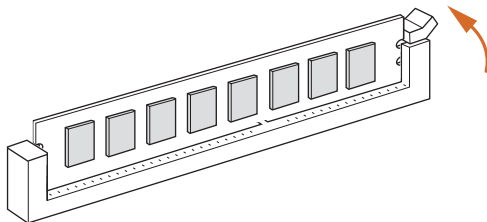
1



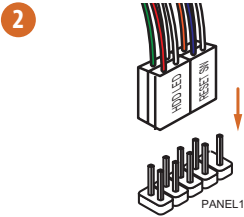
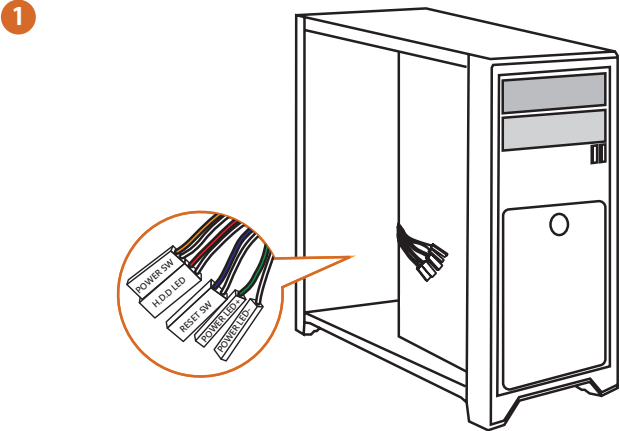
2



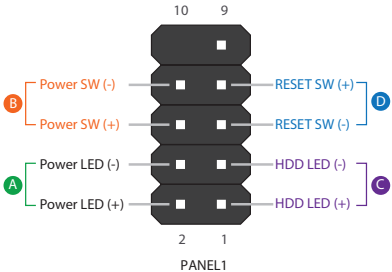
3



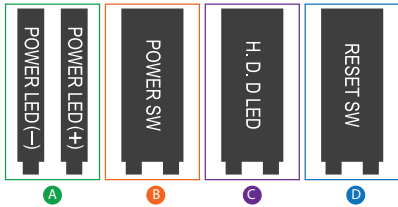
## 2.2 Connecting the Front Panel Header



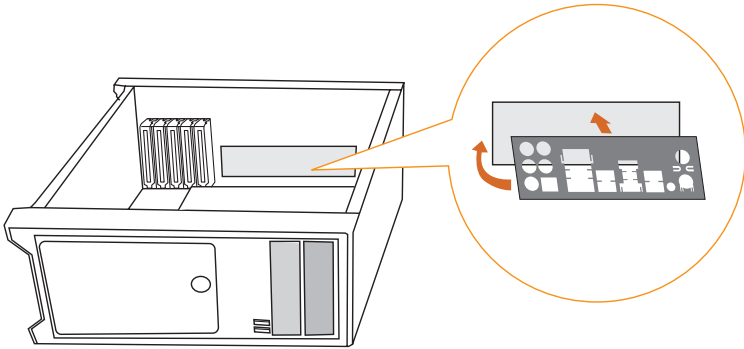
System Panel Header



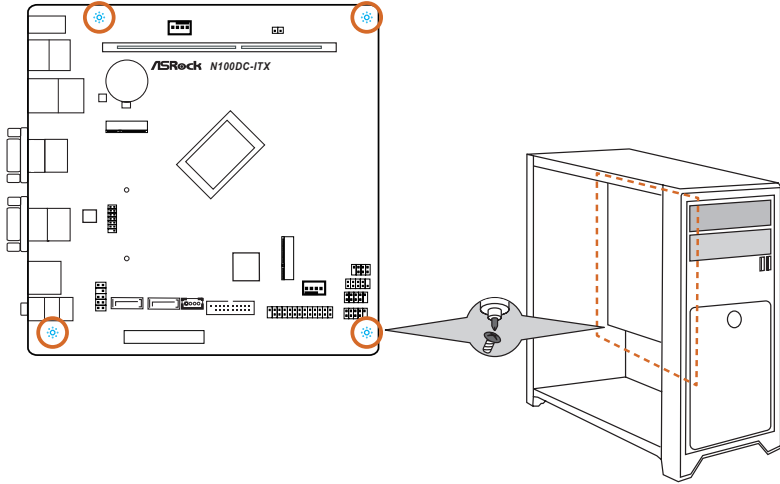
Front Panel Wires



## 2.3 Installing the I/O Panel Shield

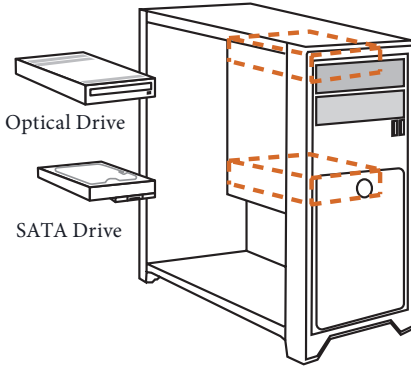


## 2.4 Installing the Motherboard

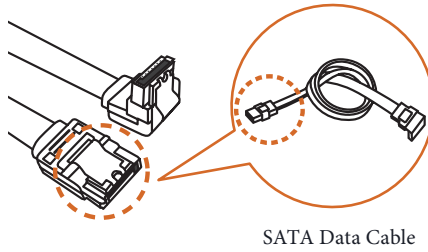


## 2.5 Installing SATA Drives

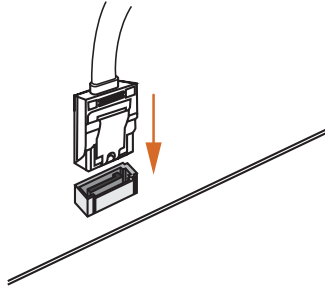
1



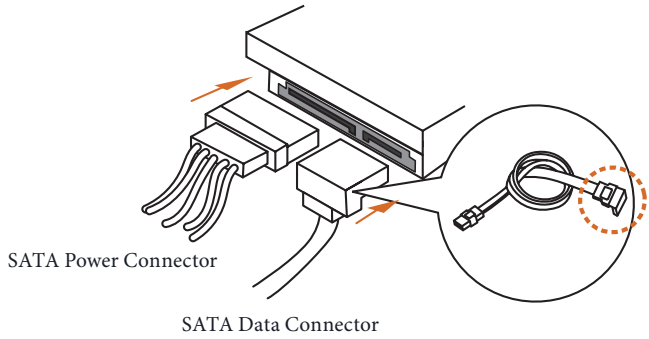
2



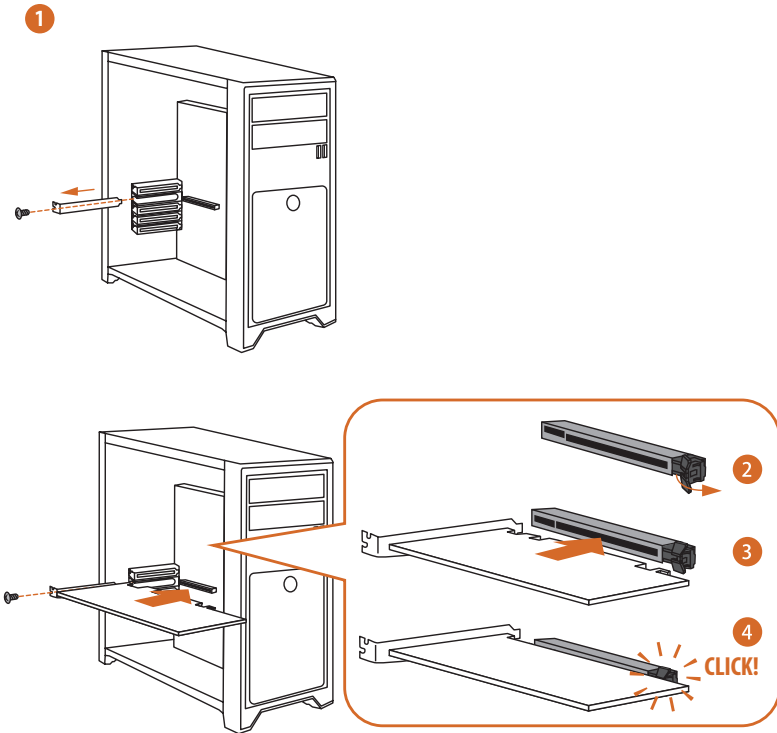
3



4



## 2.6 Installing a Graphics Card



---

## Expansion Slot (PCIe Slot)

There is 1 PCI Express slot on the motherboard.

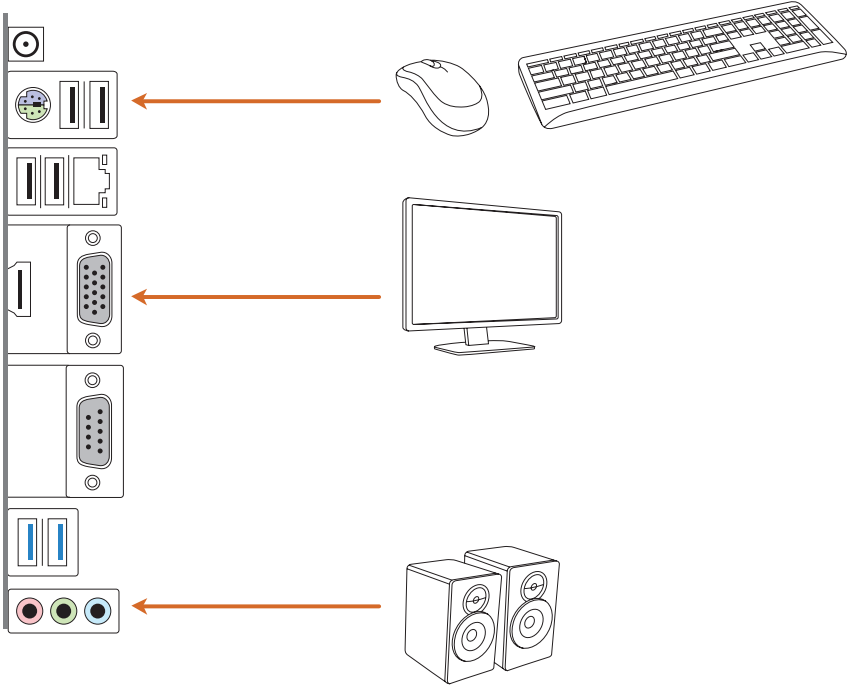


*Before installing an expansion card, please make sure that the power supply is switched off or the power cord is unplugged. Please read the documentation of the expansion card and make necessary hardware settings for the card before you start the installation.*

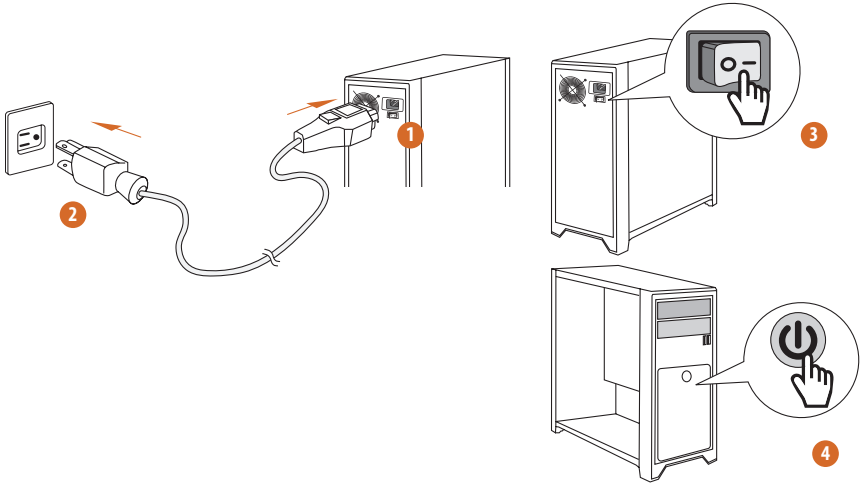
### **PCIe slot:**

PCIe1 (PCIe 3.0 x4 slot) is used for PCIe x2 lane width graphics cards.

## 2.7 Connecting Peripheral Devices

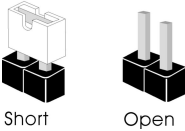


## 2.8 Power On



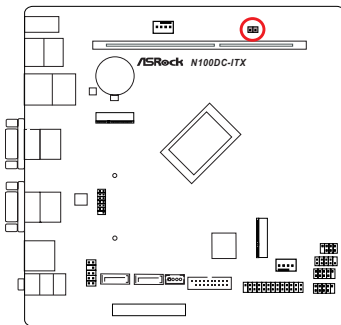
## 2.9 Jumpers Setup

The illustration shows how jumpers are setup. When the jumper cap is placed on the pins, the jumper is “Short”. If no jumper cap is placed on the pins, the jumper is “Open”.



Clear CMOS Jumper  
(CLRMOSE1) (see p.4, No. 2)

CLRMOSE1 allows you to clear the data in CMOS. The data in CMOS includes system setup information such as system password, date, time, and system setup parameters. To clear and reset the system parameters to default setup, please turn off the computer and unplug the power cord, then use a jumper cap to short the pins on CLRMOSE1 for 3 seconds. Please remember to remove the jumper cap after clearing the CMOS. If you need to clear the CMOS when you just finish updating the BIOS, you must boot up the system first, and then shut it down before you do the clear-CMOS action.



CLRMOSE1



2-pin Jumper

Short: Clear CMOS

Open: Default

## 2.10 Onboard Headers and Connectors

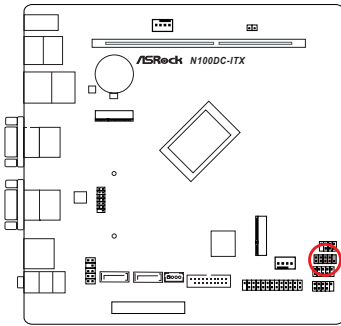


Onboard headers and connectors are NOT jumpers. Do NOT place jumper caps over these headers and connectors. Placing jumper caps over the headers and connectors will cause permanent damage to the motherboard.

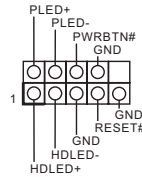
### System Panel Header

(9-pin PANEL1) (see p.4, No. 6)

Connect the power button, reset button and system status indicator on the chassis to this header according to the pin assignments below. Note the positive and negative pins before connecting the cables.



PANEL1



#### **PWRBTN (Power Button):**

Connect to the power button on the chassis front panel. You may configure the way to turn off your system using the power button.

#### **RESET (Reset Button):**

Connect to the reset button on the chassis front panel. Press the reset button to restart the computer if the computer freezes and fails to perform a normal restart.

#### **PLED (System Power LED):**

Connect to the power status indicator on the chassis front panel. The LED is on when the system is operating. The LED keeps blinking when the system is in S1/S3 sleep state. The LED is off when the system is in S4 sleep state or powered off (S5).

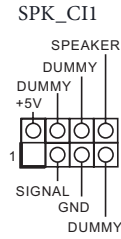
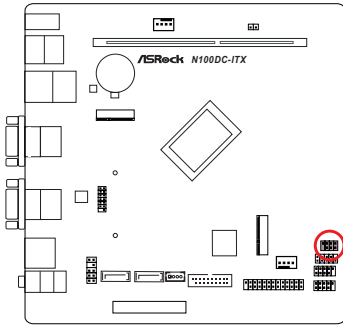
#### **HDLED (Hard Drive Activity LED):**

Connect to the hard drive activity LED on the chassis front panel. The LED is on when the hard drive is reading or writing data.

The front panel design may differ by chassis. A front panel module mainly consists of power button, power LED, hard drive activity LED, speaker and etc. When connecting your chassis front panel module to this header, make sure the wire assignments and the pin assignments are matched correctly.

Chassis Intrusion and Speaker Header  
(7-pin SPK\_CII) (see p.4, No. 5)

Please connect the chassis intrusion and the chassis speaker to this header.



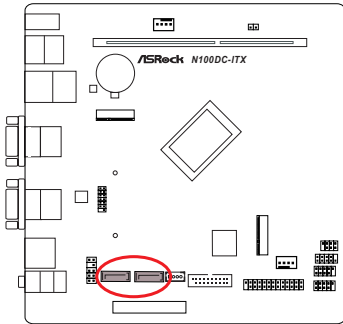
Serial ATA3 Connectors

Vertical:

(SATA3\_0) (see p.4, No. 12)

(SATA3\_1) (see p.4, No. 13)

These two SATA3 connectors support SATA data cables for internal storage devices with up to 6.0 Gb/s data transfer rate.

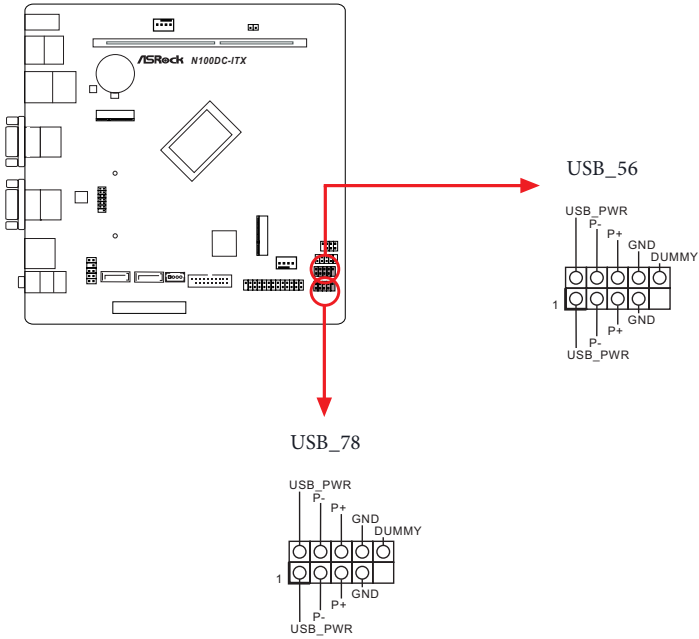


## USB 2.0 Headers

(9-pin USB\_56) (see p.4, No. 7)

(9-pin USB\_78) (see p.4, No. 8)

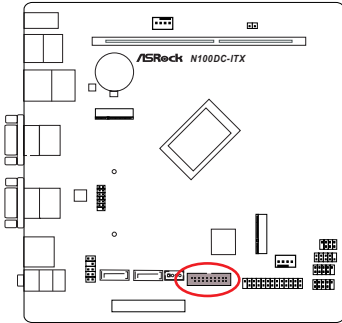
There are two headers on this motherboard. Each USB 2.0 header can support two ports.



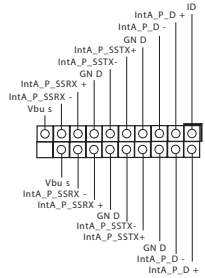
USB 3.2 Gen1 Header

(19-pin USB3\_34) (see p.4, No. 10)

There is one header on this motherboard. This USB 3.2 Gen1 header can support two ports.



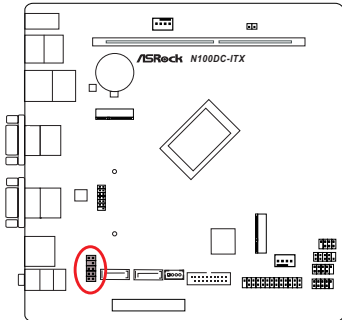
USB3\_34



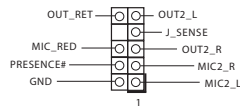
Front Panel Audio Header

(9-pin HD\_AUDIO1) (see p.4, No. 14)

This header is for connecting audio devices to the front audio panel.



HD\_AUDIO1



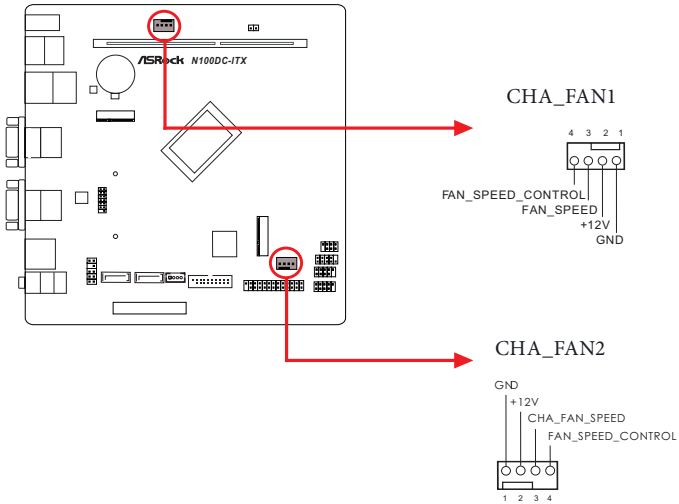
High Definition Audio supports Jack Sensing, but the panel wire on the chassis must support HDA to function correctly. Please follow the instructions in our manual and chassis manual to install your system.

### Chassis Fan Connectors

(4-pin CHA\_FAN1) (see p.4, No. 1)

(4-pin CHA\_FAN2) (see p.4, No. 4)

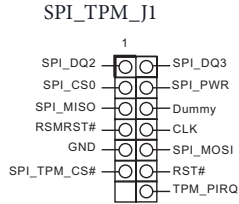
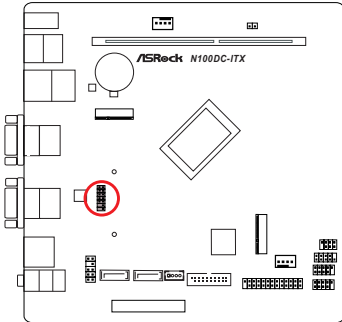
Please connect fan cable to the fan connector and match the black wire to the ground pin.



### SPI TPM Header

(13-pin SPI\_TPM\_J1) (see p.4, No. 15)

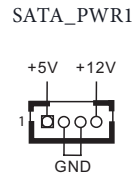
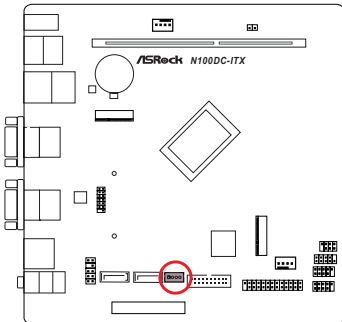
This connector supports SPI Trusted Platform Module (TPM) system, which can securely store keys, digital certificates, passwords, and data. A TPM system also helps enhance network security, protects digital identities, and ensures platform integrity.



### SATA Power Connector

(4-pin SATA\_PWR1) (see p.4, No. 11)

Please connect a SATA power cable.



## 2.11 Intel® CNVi (Integrated WiFi/BT) Installation Guide

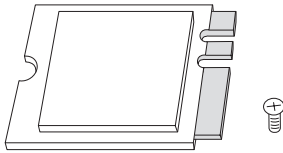
The M.2 is a small size and versatile card edge connector that aims to replace mPCIe and mSATA. The M.2 Socket (Key E) supports type 2230 Intel® CNVi (Integrated WiFi/BT).

\* The M.2 socket does not support SATA M.2 SSDs.



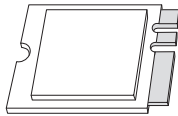
*Before you install Intel® Integrated Connectivity (CNVi) module, be sure to turn off the AC power.*

### Installing the WiFi/BT module or Intel® CNVi (Integrated WiFi/BT)



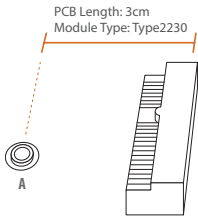
#### Step 1

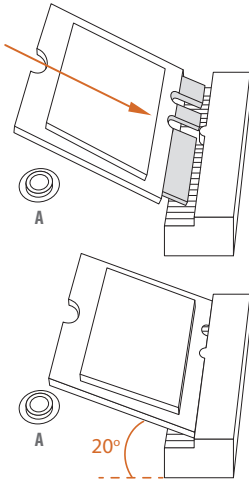
Prepare a type 2230 Intel® CNVi (Integrated WiFi/BT) and the screw.



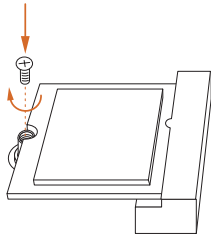
#### Step 2

Find the nut location to be used.



**Step 3**

Gently insert the Intel® CNVi (Integrated WiFi/BT) into the M.2 slot. Please be aware that the module only fits in one orientation.

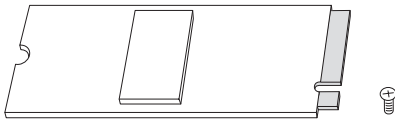
**Step 4**

Tighten the screw with a screwdriver to secure the module into place. Please do not overtighten the screw as this might damage the module.

## 2.12 M.2 SSD Module Installation Guide (M2\_1)

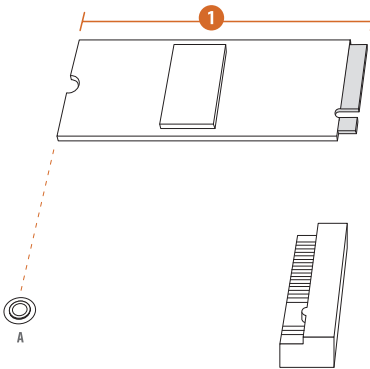
The M.2 is a small size and versatile card edge connector that aims to replace mPCIe and mSATA. The M.2 Socket (M2\_1, Key M) supports type 2280 PCIe Gen3x2 (16 Gb/s) mode.

### Installing the M.2 SSD Module



#### Step 1

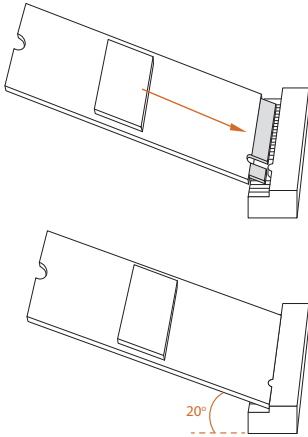
Prepare a M.2 SSD module and the screw.



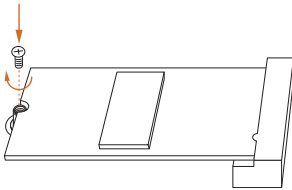
#### Step 2

Depending on the PCB type and length of your M.2 SSD module, find the corresponding nut location to be used.

No.	1
Nut Location	A
PCB Length	8cm
Module Type	Type2280

**Step 4**

Align and gently insert the M.2 SSD module into the M.2 slot. Please be aware that the M.2 SSD module only fits in one orientation.

**Step 5**

Tighten the screw with a screwdriver to secure the module into place. Please do not overtighten the screw as this might damage the module.

For the latest updates of M.2 SSD module support list, please visit our website for details:  
<http://www.asrock.com>

Version 1.0

Published April 2023

Copyright©2023 ASRock INC. All rights reserved.

### Copyright Notice:

No part of this documentation may be reproduced, transcribed, transmitted, or translated in any language, in any form or by any means, except duplication of documentation by the purchaser for backup purpose, without written consent of ASRock Inc.

Products and corporate names appearing in this documentation may or may not be registered trademarks or copyrights of their respective companies, and are used only for identification or explanation and to the owners' benefit, without intent to infringe.

### Disclaimer:

Specifications and information contained in this documentation are furnished for informational use only and subject to change without notice, and should not be constructed as a commitment by ASRock. ASRock assumes no responsibility for any errors or omissions that may appear in this documentation.

With respect to the contents of this documentation, ASRock does not provide warranty of any kind, either expressed or implied, including but not limited to the implied warranties or conditions of merchantability or fitness for a particular purpose.

In no event shall ASRock, its directors, officers, employees, or agents be liable for any indirect, special, incidental, or consequential damages (including damages for loss of profits, loss of business, loss of data, interruption of business and the like), even if ASRock has been advised of the possibility of such damages arising from any defect or error in the documentation or product.



This device complies with Part 15 of the FCC Rules. Operation is subject to the following two conditions:

- (1) this device may not cause harmful interference, and
- (2) this device must accept any interference received, including interference that may cause undesired operation.

The terms HDMI® and HDMI High-Definition Multimedia Interface, and the HDMI logo are trademarks or registered trademarks of HDMI Licensing LLC in the United States and other countries.



INTEL END USER SOFTWARE LICENSE AGREEMENT  
IMPORTANT - READ BEFORE COPYING, INSTALLING OR USING.

LICENSEE. Licensee has a license under Intel's copyrights to reproduce Intel's Software only in its unmodified and binary form, (with the accompanying documentation, the "Software") for Licensee's personal use only, and not commercial use, in connection with Intel-based products for which the Software has been provided, subject to the following conditions:

- (a) Licensee may not disclose, distribute or transfer any part of the Software, and You agree to prevent unauthorized copying of the Software.
- (b) Licensee may not reverse engineer, decompile, or disassemble the Software.
- (c) Licensee may not sublicense the Software.
- (d) The Software may contain the software and other intellectual property of third party suppliers, some of which may be identified in, and licensed in accordance with, an enclosed license.txt file or other text or file.
- (e) Intel has no obligation to provide any support, technical assistance or updates for the Software.

OWNERSHIP OF SOFTWARE AND COPYRIGHTS. Title to all copies of the Software remains with Intel or its licensors or suppliers. The Software is copyrighted and protected by the laws of the United States and other countries, and international treaty provisions. Licensee may not remove any copyright notices from the Software. Except as otherwise expressly provided above, Intel grants no express or implied right under Intel patents, copyrights, trademarks, or other intellectual property rights. Transfer of the license terminates Licensee's right to use the Software.

DISCLAIMER OF WARRANTY. The Software is provided "AS IS" without warranty of any kind, EITHER EXPRESS OR IMPLIED, INCLUDING WITHOUT LIMITATION, WARRANTIES OF MERCHANTABILITY OR FITNESS FOR ANY PARTICULAR PURPOSE.

LIMITATION OF LIABILITY. NEITHER INTEL NOR ITS LICENSORS OR SUPPLIERS WILL BE LIABLE FOR ANY LOSS OF PROFITS, LOSS OF USE, INTERRUPTION OF BUSINESS, OR INDIRECT, SPECIAL, INCIDENTAL, OR CONSEQUENTIAL DAMAGES OF ANY KIND WHETHER UNDER THIS AGREEMENT OR OTHERWISE, EVEN IF INTEL HAS BEEN ADVISED OF THE POSSIBILITY OF SUCH DAMAGES.

LICENSE TO USE COMMENTS AND SUGGESTIONS. This Agreement does NOT obligate Licensee to provide Intel with comments or suggestions regarding the Software. However, if Licensee provides Intel with comments or suggestions for the modification, correction, improvement or enhancement of (a) the Software or (b) Intel products or processes that work with the Software, Licensee grants to Intel a non-exclusive, worldwide, perpetual, irrevocable, transferable, royalty-free license, with the right to sublicense, under Licensee's intellectual property rights, to incorporate or otherwise utilize those comments and suggestions.

TERMINATION OF THIS LICENSE. Intel or the sublicensor may terminate this license at any time if Licensee is in breach of any of its terms or conditions. Upon termination, Licensee will immediately destroy or return to Intel all copies of the Software.

THIRD PARTY BENEFICIARY. Intel is an intended beneficiary of the End User License Agreement and has the right to enforce all of its terms.

U.S. GOVERNMENT RESTRICTED RIGHTS. The Software is a commercial item (as defined in 48 C.F.R. 2.101) consisting of commercial computer software and commercial computer software documentation (as those terms are used in 48 C.F.R. 12.212), consistent with 48 C.F.R. 12.212 and 48 C.F.R 227.7202-1 through 227.7202-4. You will not provide the Software to the U.S. Government. Contractor or Manufacturer is Intel Corporation, 2200 Mission College Blvd., Santa Clara, CA 95054.

EXPORT LAWS. Licensee agrees that neither Licensee nor Licensee's subsidiaries will export/re-export the Software, directly or indirectly, to any country for which the U.S. Department of Commerce or any other agency or department of the U.S. Government or the foreign government from where it is shipping requires an export license, or other governmental approval, without first obtaining any such required license or approval. In the event the Software is exported from the U.S.A. or re-exported from a foreign destination by Licensee, Licensee will ensure that the distribution and export/re-export or import of the Software complies with all laws, regulations, orders, or other restrictions of the U.S. Export Administration Regulations and the appropriate foreign government.

APPLICABLE LAWS. This Agreement and any dispute arising out of or relating to it will be governed by the laws of the U.S.A. and Delaware, without regard to conflict of laws principles. The Parties to this Agreement exclude the application of the United Nations Convention on Contracts for the International Sale of Goods (1980). The state and federal courts sitting in Delaware, U.S.A. will have exclusive jurisdiction over any dispute arising out of or relating to this Agreement. The Parties consent to personal jurisdiction and venue in those courts. A Party that obtains a judgment against the other Party in the courts identified in this section may enforce that judgment in any court that has jurisdiction over the Parties.

Licensee's specific rights may vary from country to country.



## WARNING

THIS PRODUCT CONTAINS A BUTTON BATTERY

If swallowed, a button battery can cause serious injury or death.  
Please keep batteries out of sight or reach of children.

## CALIFORNIA, USA ONLY

The Lithium battery adopted on this motherboard contains Perchlorate, a toxic substance controlled in Perchlorate Best Management Practices (BMP) regulations passed by the California Legislature. When you discard the Lithium battery in California, USA, please follow the related regulations in advance.

“Perchlorate Material-special handling may apply, see [www.dtsc.ca.gov/hazardouswaste/perchlorate](http://www.dtsc.ca.gov/hazardouswaste/perchlorate)”

## AUSTRALIA ONLY

Our goods come with guarantees that cannot be excluded under the Australian Consumer Law. You are entitled to a replacement or refund for a major failure and compensation for any other reasonably foreseeable loss or damage caused by our goods. You are also entitled to have the goods repaired or replaced if the goods fail to be of acceptable quality and the failure does not amount to a major failure. If you require assistance please call ASRock Tel : +886-2-28965588 ext.123 (Standard International call charges apply)



ASRock INC. hereby declares that this device is in compliance with the essential requirements and other relevant provisions of related UKCA Directives. Full text of UKCA declaration of conformity is available at: <http://www.asrock.com>



ASRock INC. hereby declares that this device is in compliance with the essential requirements and other relevant provisions of related Directives. Full text of EU declaration of conformity is available at: <http://www.asrock.com>

ASRock follows the green design concept to design and manufacture our products, and makes sure that each stage of the product life cycle of ASRock product is in line with global environmental regulations. In addition, ASRock disclose the relevant information based on regulation requirements.

Please refer to <https://www.asrock.com/general/about.asp?cat=Responsibility> for information disclosure based on regulation requirements ASRock is complied with.



DO NOT throw the motherboard in municipal waste. This product has been designed to enable proper reuse of parts and recycling. This symbol of the crossed out wheeled bin indicates that the product (electrical and electronic equipment) should not be placed in municipal waste. Check local regulations for disposal of electronic products.