

# Quick Setup Guide

Guide d'installation rapide  
Guía de configuración rápida

To register this product please visit [www.samsung.com](http://www.samsung.com)

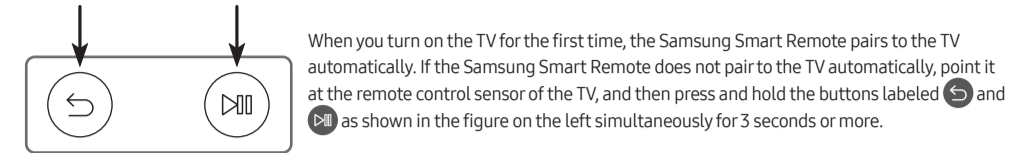


BN68-16274A-00

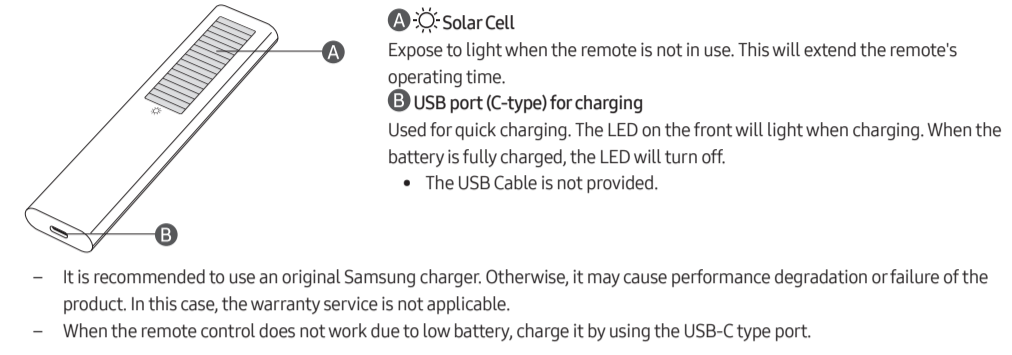


## 2. The Samsung Smart Remote

### Pairing the TV to the Samsung Smart Remote

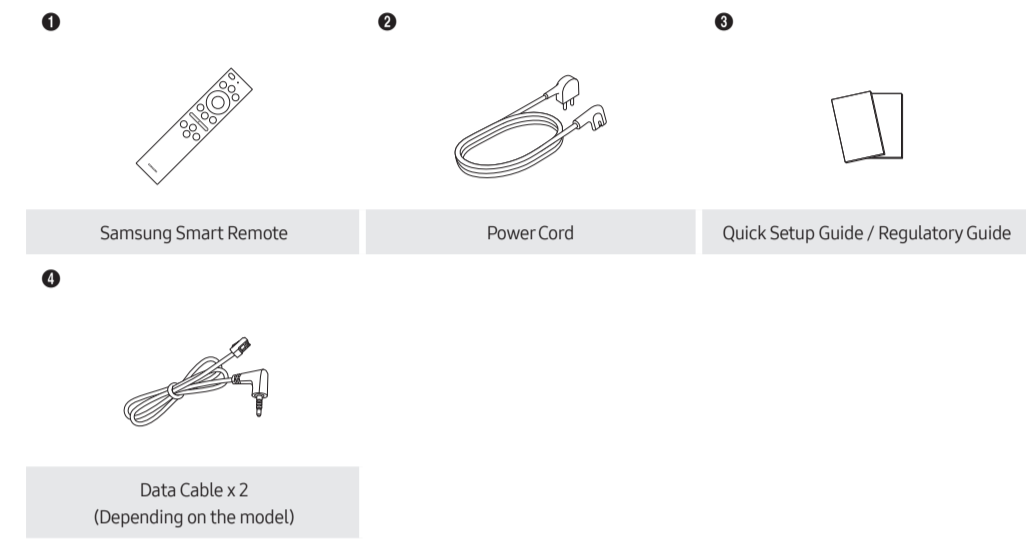


### Charging the battery

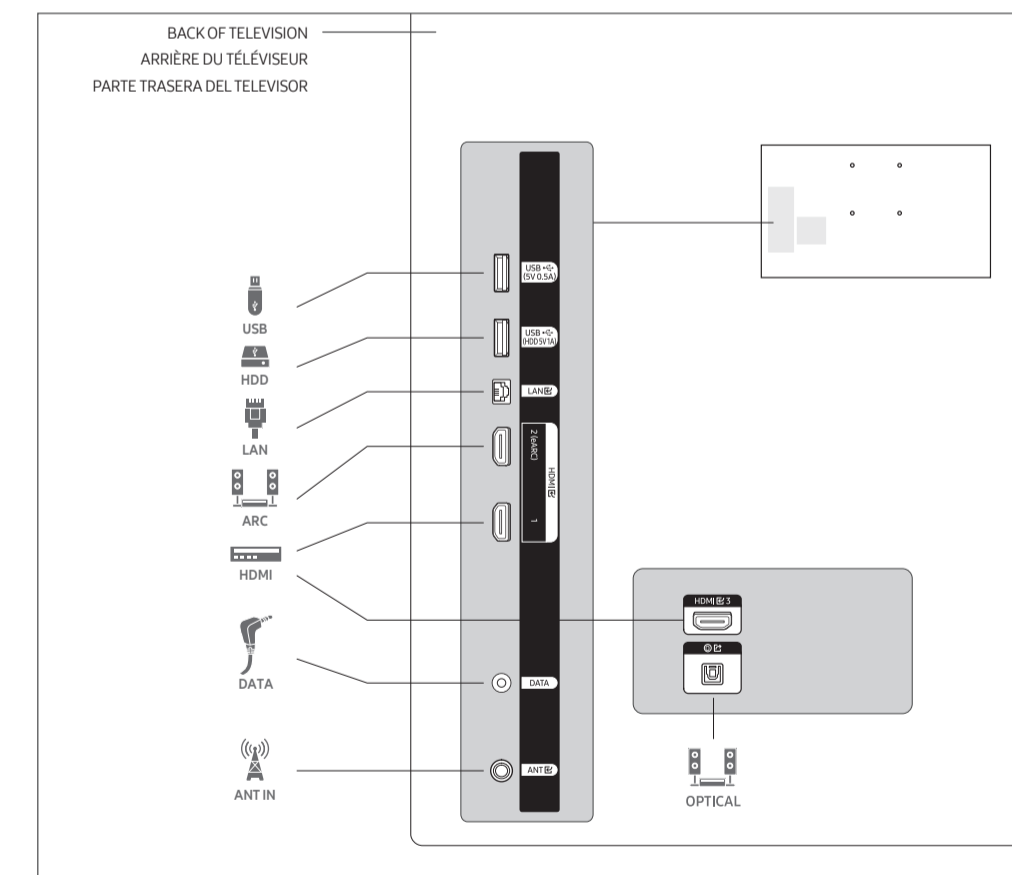


## 1. List of Parts

- The provided accessories may vary depending on the model.

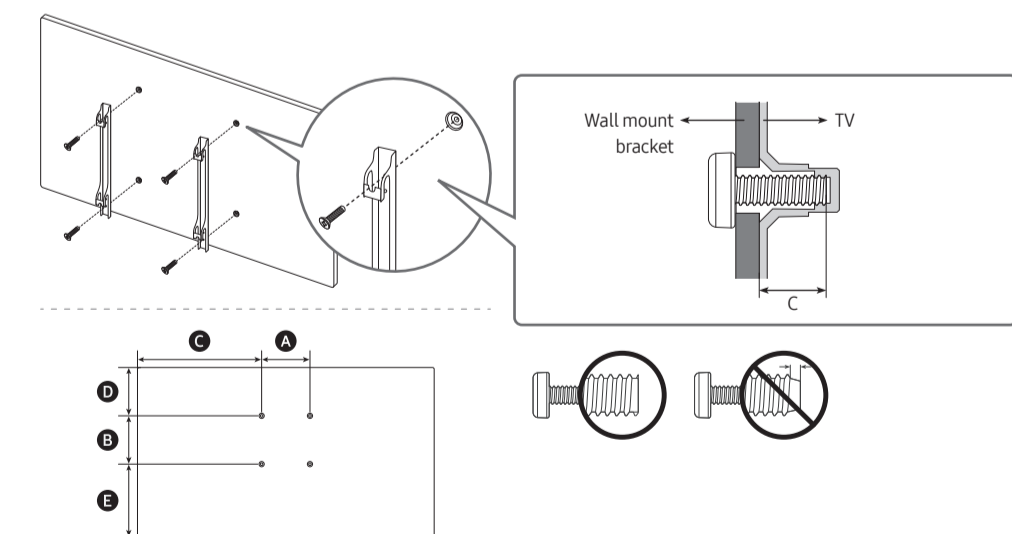


## 4. Viewing the Connection Panel



## 5. Wall Mount Kit Specifications (VESA)

- Install your wall mount on a solid wall, perpendicular to the floor. When attaching to other building materials, please contact your nearest dealer. If installing on a ceiling or slanted wall, TV may fall and result in severe personal injury.
- Standard dimensions for wall mount kits are shown in the table below.
  - Samsung wall mount kits contain a detailed installation manual. All parts necessary for assembly are provided.
- ⚠ Do not install your wall mount kit while your TV is turned on. This may result in personal injury from electric shock.**
- Do not use screws that are longer than the standard dimension or do not comply with the VESA standard screw specifications. Screws that are too long may cause damage to the inside of the TV set.
  - For wall mounts that do not comply with the VESA standard screw specifications, the length of the screws may differ depending on the wall mount specifications.
  - Do not fasten the screws too firmly. This may damage the product or cause the product to fall, leading to personal injury. Samsung is not liable for these kinds of accidents.
  - Samsung is not liable for product damage or personal injury when a non-VESA or non-specified wall mount is used or when the consumer fails to follow the product installation instructions.
  - Do not mount the TV at more than a 15 degree tilt.
  - Always have two people mount the TV onto a wall.

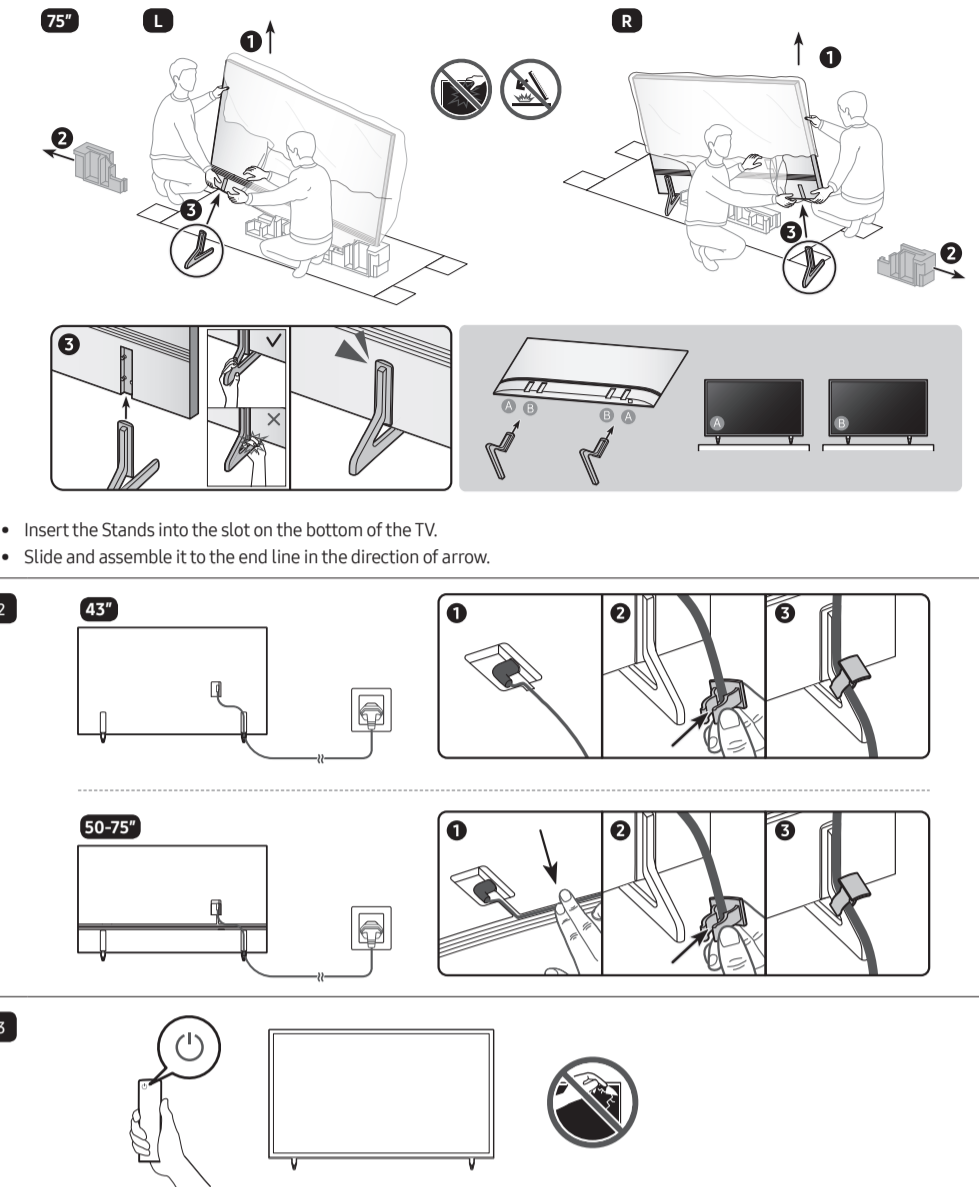
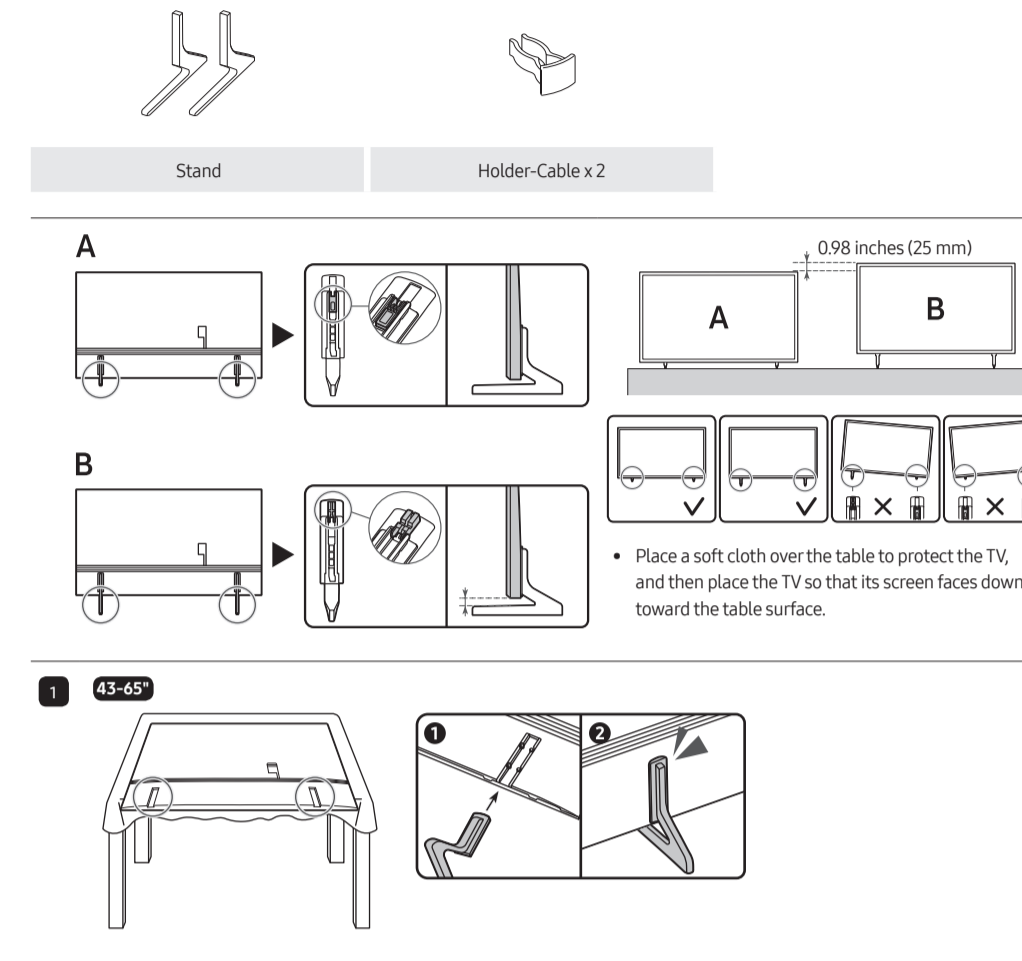


TV size in inches	VESA screw hole specs (A * B) in millimeters	C (inches)	D (inches)	E (inches)	C (mm)	Standard Screw	Quantity
43	200 x 200	15.1	7.6	6.6	11-13	M8	4
50		18.1	8.2	9.3			
55		20.3	9.4	10.6			
65	400 x 300	20.7	10.4	10.5			
75	400 x 400	25.1	10.2	11.8			

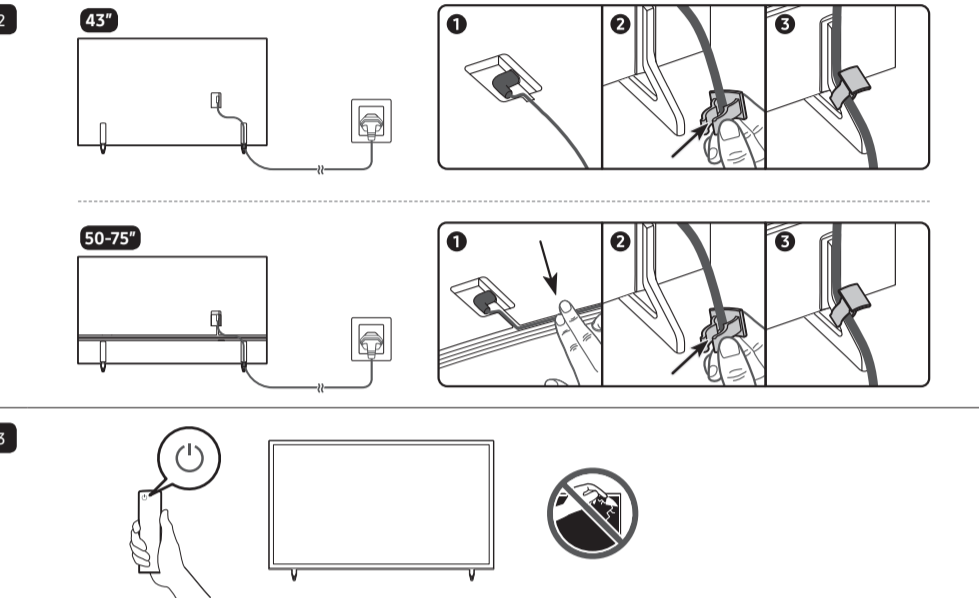
## 3. Installing the LED TV Stand

### Assembling the Stand and Components

When installing the stand, use the provided components and parts.



- Insert the Stands into the slot on the bottom of the TV.
- Slide and assemble it to the end line in the direction of arrow.



- NOTE**
- Make sure to distinguish between the front and back of each component when assembling them.
  - Make sure that at least two persons lift and move the TV.

## 6. Specifications

Model Name	HG43Q60B	HG50Q60B	HG55Q60B
Display Resolution	3840 x 2160	3840 x 2160	3840 x 2160
Screen Size Diagonal Measured Diagonally	43" Class 42.5 inches	50" Class 49.5 inches	55" Class 54.6 inches
Sound (Output)	20 W	20 W	20 W
Dimensions (W x H x D) Body	38.0 x 22.0 x 1.0 inches (965.5 x 559.4 x 25.7 mm)	44.0 x 25.4 x 1.0 inches (1118.3 x 644.1 x 25.7 mm)	48.5 x 27.9 x 1.0 inches (1232.1 x 708.3 x 25.7 mm)
With Stand	38.0 x 23.5 x 7.1 inches (965.5 x 598.1 x 181.0 mm)	44.0 x 26.8 x 8.8 inches (1118.3 x 681.7 x 224.0 mm)	48.5 x 29.4 x 8.8 inches (1232.1 x 745.9 x 224.0 mm)
Weight Without Stand	18.5 lbs (8.4 kg)	25.4 lbs (11.5 kg)	34.2 lbs (15.5 kg)
With Stand	19.0 lbs (8.6 kg)	26.0 lbs (11.8 kg)	34.8 lbs (15.8 kg)
Model Name	HG65Q60B		HG75Q60B
Display Resolution	3840 x 2160		3840 x 2160
Screen Size Diagonal Measured Diagonally	65" Class 64.5 inches		75" Class 74.5 inches
Sound (Output)	20 W		20 W
Dimensions (W x H x D) Body	57.1 x 32.7 x 1.0 inches (1450.9 x 831.4 x 25.7 mm)		66.0 x 37.8 x 1.0 inches (1676.7 x 959.8 x 26.6 mm)
With Stand	57.1 x 34.3 x 10.8 inches (1450.9 x 872.2 x 274.0 mm)		66.0 x 39.3 x 12.6 inches (1676.7 x 997.3 x 320.0 mm)
Weight Without Stand	46.1 lbs (20.9 kg)		69.2 lbs (31.4 kg)
With Stand	47.0 lbs (21.3 kg)		70.5 lbs (32.0 kg)

### Environmental Considerations

Operating Temperature	50 °F to 104 °F (10 °C to 40 °C)
Operating Humidity	10 % to 80 %, non-condensing
Storage Temperature	-4 °F to 113 °F (-20 °C to 45 °C)
Storage Humidity	5 % to 95 %, non-condensing

- Design and specifications are subject to change without prior notice.
- This device is a Class B digital apparatus.
- For information about the power supply, and more information about power consumption, refer to the information on the label attached to the product.
  - On most models, the label is attached to the back of the TV. (On some models, the label is inside the cover terminal.)
- Your TV and its accessories may look different than the product images presented in this manual, depending on the model.
- All drawings are not necessarily to scale. Some dimensions are subject to change without prior notice. Refer to the dimensions before installing your TV. Not responsible for typographical or printed errors.

## State of California Proposition 65 Warning



## 7. Licenses

POWERED BY

**Dolby Audio**

**QUICKSET**

**HEVC Advance**  
Covered by Patents at [patentlist.hevcadvance.com](http://patentlist.hevcadvance.com)

**HDMI**  
HIGH DEFINITION MULTIMEDIA INTERFACE

The terms HDMI and HDMI High-Definition Multimedia Interface, and the HDMI Logo are trademarks or registered trademarks of HDMI Licensing Administrator, Inc. in the United States and other countries.

Open Source License Notice  
Open Source used in this product can be found on the following webpage. (<https://opensource.samsung.com>)

