

Installation Instructions

Cat6a DIN Mount/Desktop STP Patch Panel

8-Port Model: N250-SH08-DIN6A

12-Port Model: N250-SH12-DIN6A

Este manual está disponible en español en la página de Tripp Lite:
triplite.com

Ce manuel est disponible en français sur le site Web de Tripp Lite :
triplite.com

Русскоязычная версия настоящего руководства представлена на
веб-сайте компании Tripp Lite по адресу: triplite.com

Dieses Handbuch ist in deutscher Sprache auf der Tripp Lite-Website
verfügbar: triplite.com

WARRANTY REGISTRATION

Register your product today and be
automatically entered to win an ISOBAR®
surge protector in our monthly drawing!

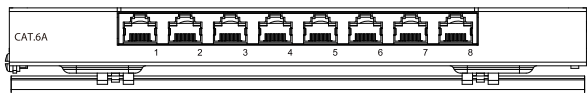
triplite.com/warranty



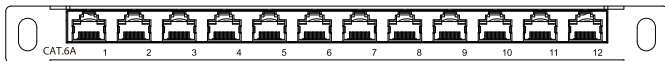
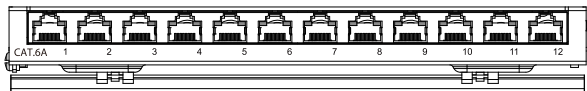
1111 W. 35th Street, Chicago, IL 60609 USA • triplite.com/support

Copyright © 2022 Tripp Lite. All rights reserved.

Installation



Shown: N250-SH08-DIN6A



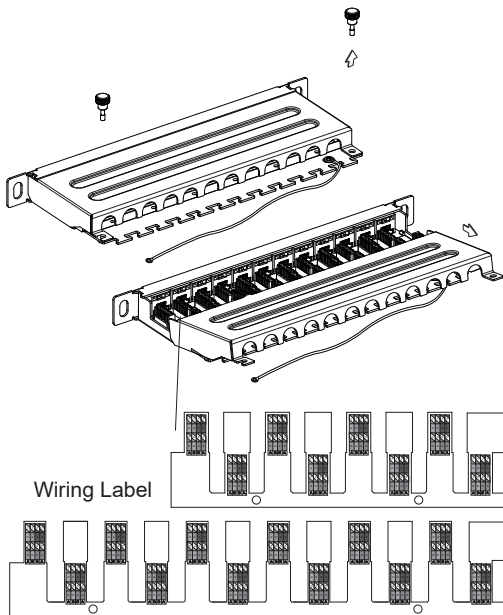
Shown: N250-SH12-DIN6A

FRONT

Step 1:

Release the cover screws. Lift left and right sides of the metal cover and slide the metal cover backwards to remove it.

Installation

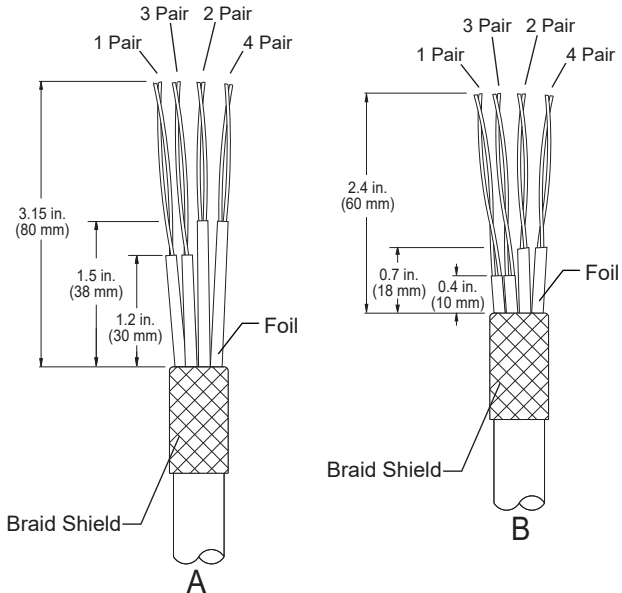


IDC Terminals	T568A Pair/Wire Color	T568B Pair/Wire Color
Pin 5	1 White/Blue	1 White/Blue
Pin 4	Blue	Blue
Pin 1	2 White/Green	2 White/Green
Pin 2	Green	Green
Pin 3	3 White/Orange	3 White/Orange
Pin 6	Orange	Orange
Pin 7	4 White/Brown	4 White/Brown
Pin 8	Brown	Brown

Installation

Step 2:

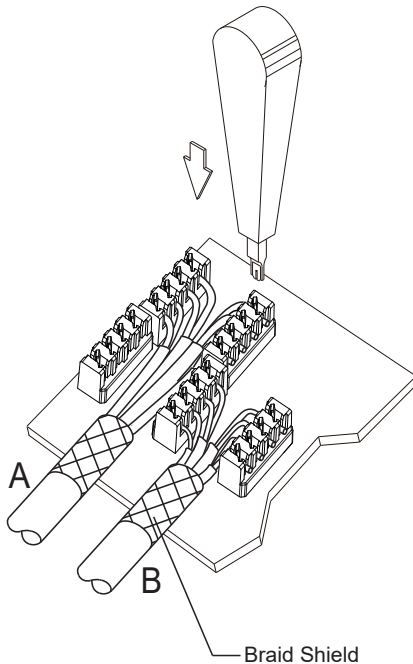
Strip and remove the cable jacket at the recommended length. Fold the braid shielding back over the cable jacket. Leave the foil on pairs intact and keep the pair foil at suggested length.



Installation

Step 3:

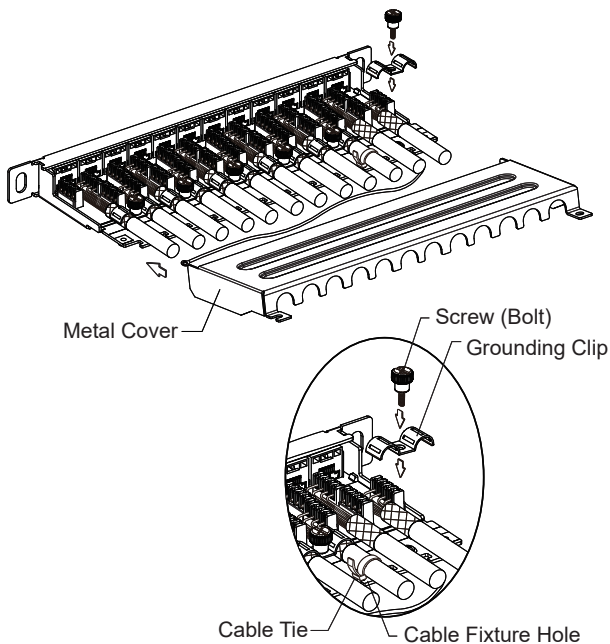
Refer to the color coding labels to allocate the pairs according to the color coding in sequence. Use a punch down tool to press each conductor. Trim excess length until all pairs are terminated.



Installation

Step 4:

Place the grounding clip on the cables, then screw on the bolt until the cables are fastened to secure grounding between cable and panel. Use supplied cable ties to tighten up the cables. Mount the metal cover to the panel and secure it into place to finish the installation.



Warranty and Product Registration

Lifetime Limited Warranty

Seller warrants this product, if used in accordance with all applicable instructions, to be free from original defects in material and workmanship for its lifetime. If the product should prove defective in material or workmanship within that period, Seller will repair or replace the product, in its sole discretion. Service under this Warranty can only be obtained by your delivering or shipping the product (with all shipping or delivery charges prepaid) to: TRIPP LITE; 1111 W. 35th Street, Chicago, IL 60609. Seller will pay return shipping charges. Visit triplite.com/ support before sending any equipment back for repair.

THIS WARRANTY DOES NOT APPLY TO NORMAL WEAR OR TO DAMAGE RESULTING FROM ACCIDENT, MISUSE, ABUSE OR NEGLIGENCE. SELLER MAKES NO EXPRESS WARRANTIES OTHER THAN THE WARRANTY EXPRESSLY SET FORTH HEREIN.

EXCEPT TO THE EXTENT PROHIBITED BY APPLICABLE LAW, ALL IMPLIED WARRANTIES, INCLUDING ALL WARRANTIES OF MERCHANTABILITY OR FITNESS, ARE LIMITED IN DURATION TO THE WARRANTY PERIOD SET FORTH ABOVE; AND THIS WARRANTY EXPRESSLY EXCLUDES ALL INCIDENTAL AND CONSEQUENTIAL DAMAGES. (Some states do not allow limitations on how long an implied warranty lasts, and some states do not allow the exclusion or limitation of incidental or consequential damages, so the above limitations or exclusions may not apply to you. This Warranty gives you specific legal rights, and you may have other rights which vary from jurisdiction to jurisdiction.)

WARNING: The individual user should take care to determine prior to use whether this device is suitable, adequate or safe for the use intended. Since individual applications are subject to great variation, the manufacturer makes no representation or warranty as to the suitability or fitness of these devices for any specific application.

PRODUCT REGISTRATION

Visit triplite.com/warranty today to register your new Tripp Lite product. You'll be automatically entered into a drawing for a chance to win a FREE Tripp Lite product!*

* No purchase necessary. Void where prohibited. Some restrictions apply. See website for details.

Regulatory Compliance Identification Numbers

For the purpose of regulatory compliance certifications and identification, your Tripp Lite product has been assigned a unique series number. The series number can be found on the product nameplate label, along with all required approval markings and information.

When requesting compliance information for this product, always refer to the series number. The series number should not be confused with the marketing name or model number of the product.

Tripp Lite has a policy of continuous improvement. Specifications are subject to change without notice.



1111 W. 35th Street, Chicago, IL 60609 USA • tripplite.com/support