

RS6100

Wearable Scanner



ZEBRA

Quick Start Guide

2023/02/01

ZEBRA and the stylized Zebra head are trademarks of Zebra Technologies Corporation, registered in many jurisdictions worldwide. All other trademarks are the property of their respective owners. ©2023 Zebra Technologies Corporation and/or its affiliates. All rights reserved.

Information in this document is subject to change without notice. The software described in this document is furnished under a license agreement or nondisclosure agreement. The software may be used or copied only in accordance with the terms of those agreements.

For further information regarding legal and proprietary statements, please go to:

SOFTWARE: zebra.com/linkoslegal.

COPYRIGHTS: zebra.com/copyright.

PATENTS: ip.zebra.com.

WARRANTY: zebra.com/warranty.

END USER LICENSE AGREEMENT: zebra.com/eula.

Terms of Use

Proprietary Statement

This manual contains proprietary information of Zebra Technologies Corporation and its subsidiaries ("Zebra Technologies"). It is intended solely for the information and use of parties operating and maintaining the equipment described herein. Such proprietary information may not be used, reproduced, or disclosed to any other parties for any other purpose without the express, written permission of Zebra Technologies.

Product Improvements

Continuous improvement of products is a policy of Zebra Technologies. All specifications and designs are subject to change without notice.

Liability Disclaimer

Zebra Technologies takes steps to ensure that its published Engineering specifications and manuals are correct; however, errors do occur. Zebra Technologies reserves the right to correct any such errors and disclaims liability resulting therefrom.

Limitation of Liability

In no event shall Zebra Technologies or anyone else involved in the creation, production, or delivery of the accompanying product (including hardware and software) be liable for any damages whatsoever (including, without limitation, consequential damages including loss of business profits, business interruption, or loss of business information) arising out of the use of, the results of use of, or inability to use such product, even if Zebra Technologies has been advised of the possibility of such damages. Some jurisdictions do not allow the exclusion or limitation of incidental or consequential damages, so the above limitation or exclusion may not apply to you.

Features

This section lists the features of the single and double trigger RS6100.

Figure 1 Single Trigger Configuration Top View

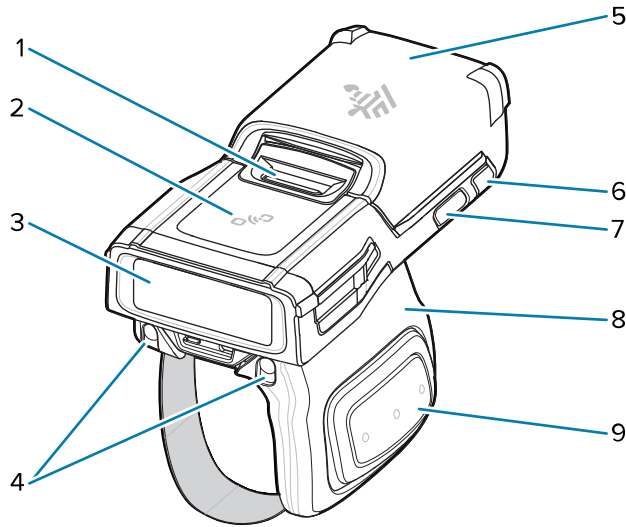


Table 1 Single Trigger Configuration Top View

1	Battery release latch
2	NFC icon
3	Imager window
4	Charging pads for cradle
5	Battery
6	System LED
7	Restore key
8	Trigger assembly
9	Side scan trigger

Figure 2 Double Trigger Configuration Top View

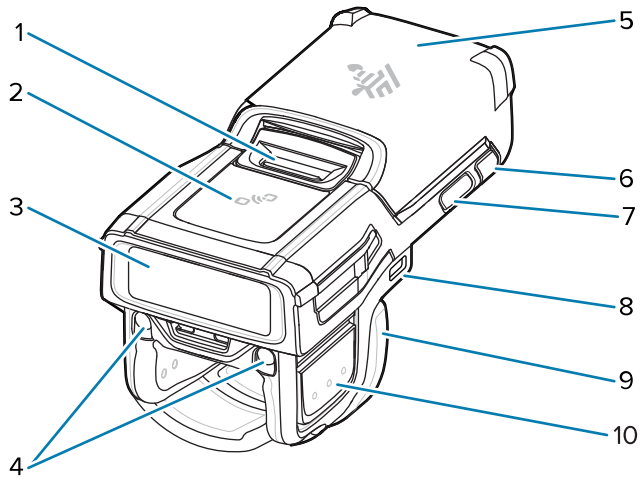


Table 2 Double Trigger Configuration Top View

1	Battery release latch
2	NFC icon
3	Imager window
4	Charging pads for cradle
5	Battery
6	System LED
7	Restore key
8	USB-C port (not available on all configurations)
9	Trigger assembly
10	Side scan trigger

Figure 3 Bottom View, Single Trigger Configuration Shown

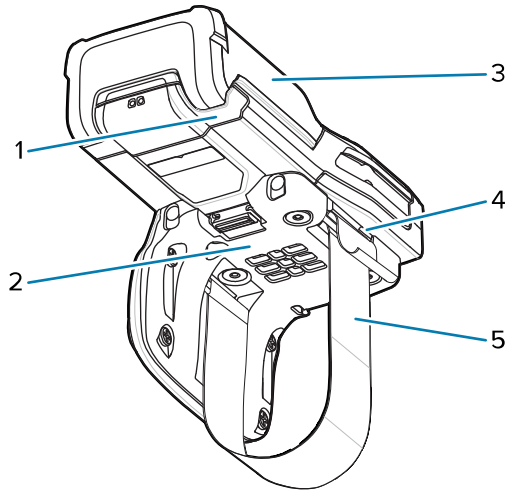


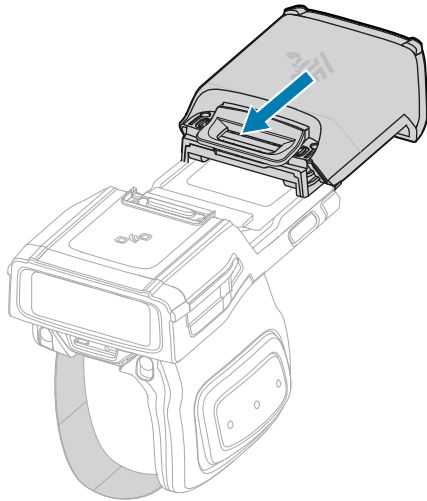
Table 3 Bottom View, Single Trigger Configuration Shown

1	System LED
2	Comfort pad
3	Battery
4	Strap buckle
5	Finger strap

Installing the Battery

To install the battery:

1. Align the battery on the RS6100 and insert into the battery compartment.



2. Slide the battery all the way into the locking slot.

3. Firmly press the battery into the RS6100 until a click indicates the battery release latch is fully engaged with the RS6100.

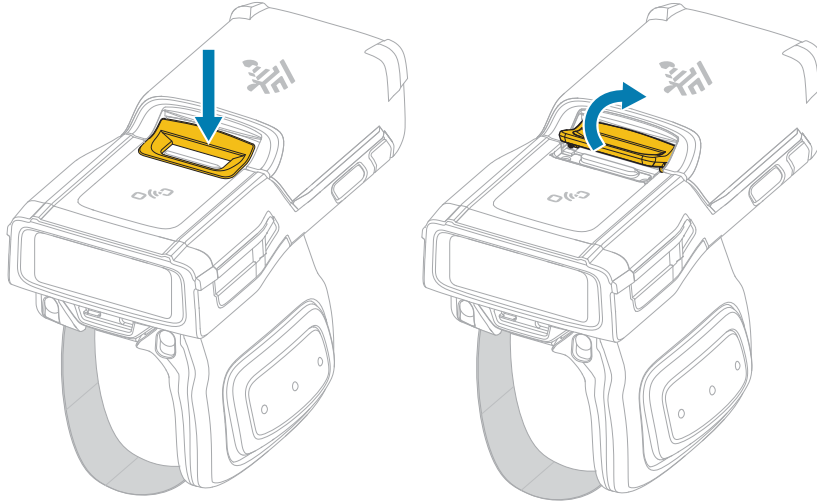


NOTE: New batteries from the factory arrive in Ship Mode for protection, and must be plugged into a charger (cradle or battery charger) to activate the battery.

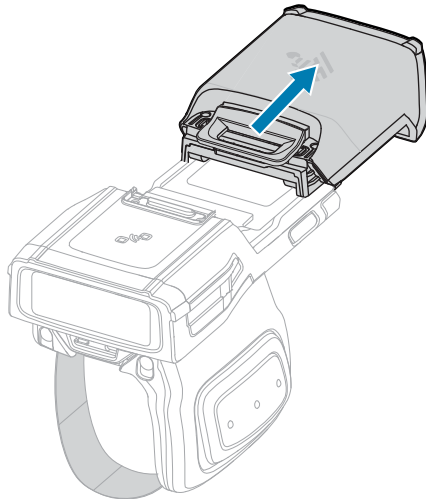
Removing the Battery

To remove the battery:

1. Push the battery release latch down until the latch pops up.



2. Slide the battery out of the battery compartment.



Placing the RS6100 on Finger

To properly place the RS6100 on your finger, slide the scanner onto your index finger with the scan trigger next to your thumb.



NOTE: For additional mounting options, refer to the RS6100 Product Reference Guide.

Figure 4 Single Trigger

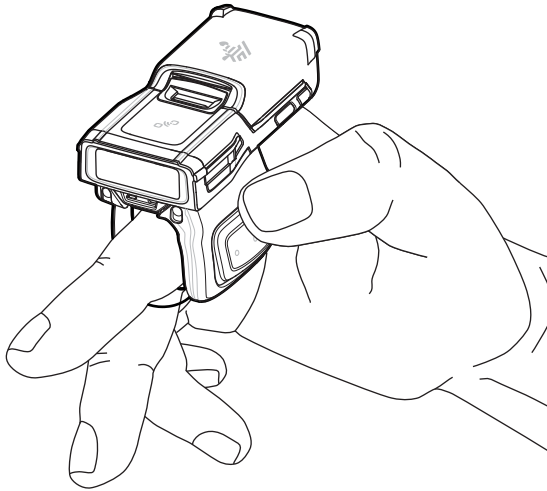
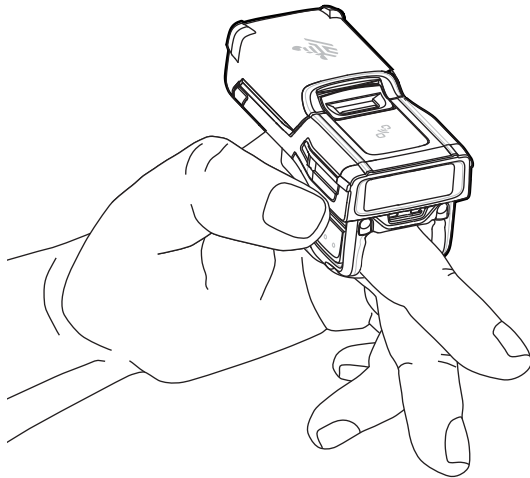
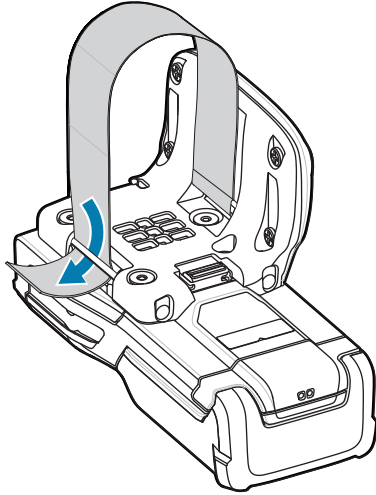


Figure 5 Double Trigger



To tighten the finger strap on the single trigger, pull the end of the strap through the strap buckle. To loosen the finger strap, lift the strap buckle away from the strap while pulling the strap through the buckle. Release the buckle to hold the finger strap in place.



Powering On

To power on the device:

1. Install the battery (if not already installed).



NOTE: New batteries from the factory arrive in Ship Mode for protection, and must be plugged into a charger (cradle or battery charger) to activate the battery.

2. Press one of the following:
 - Side scan trigger on the single trigger
 - Left side scan trigger on the double trigger
 - Scan trigger on the lanyard
 - Scan trigger on the back of hand mount

Bluetooth Connection



NOTE: The connection methods below apply only to Zebra Mobile Computers. For more information, refer to the RS6100 Product Reference Guide.

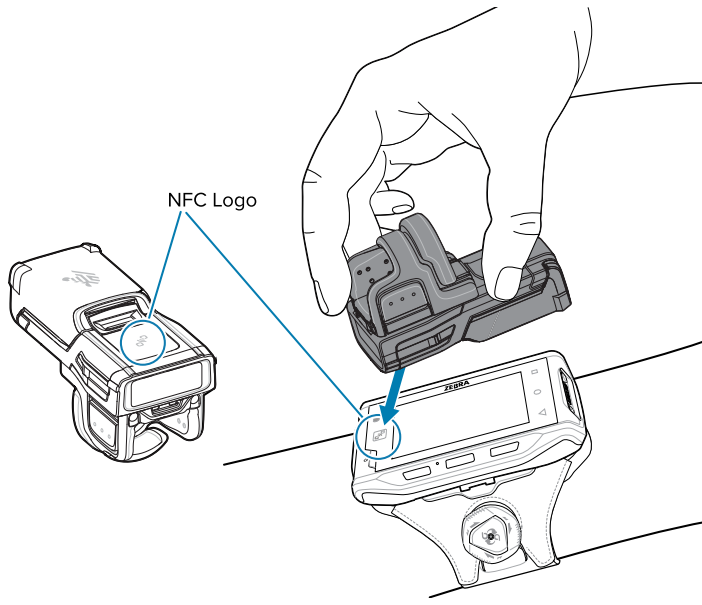
NFC Tap-to-Pair

The RS6100 is NFC enabled and supports Bluetooth Tap-to-Pair.

To connect with a device, such as the WT6300 or TC52:

1. Ensure NFC is enabled on the device.
2. Align the NFC icon on the RS6100 with the NFC icon on the device.

The Status LED blinks blue indicating that the RS6100 is attempting to establish connection with the device. When a connection is established, the Status LED turns off and the RS6100 emits a single string of low/high beeps.



NOTE: Not all Zebra devices support NFC readers and the Tap-to-Pair feature.

Scan2Pair

To pair the RS6100 with a device, such as the WT6300 or TC52 using SSI:

1. On the device, touch > . The Bluetooth Pairing Utility opens.



2. Using the RS6100, scan the barcode on the screen.

The Status LED blinks blue indicating that the RS6100 is attempting to establish a connection with the device. When a connection is established, the Status LED turns off and the RS6100 emits a single string of low/high beeps. The device indicates a successful pairing attempt with a toast notification (audio and visual). When the Bluetooth connection is established, pop-up notifications appear on the device's screen.

3. On the device, touch to return to the main screen.

Scanning

The RS6100 uses digital camera technology to take an image of a barcode, and software decoding algorithms extract the barcode data from the image. The RS6100 includes the SE55 scan engine, which displays a green dash-dot-dash aimer.

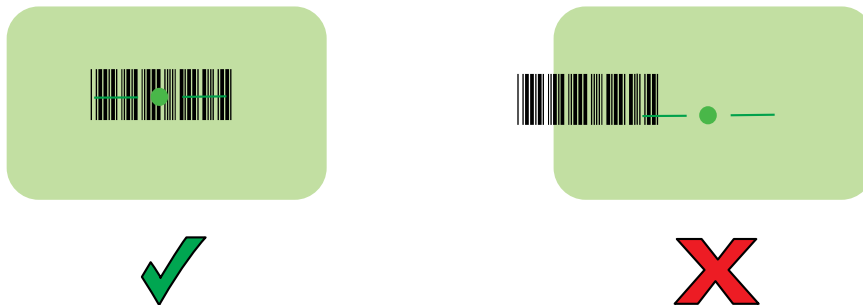
To scan a barcode:

1. Launch a scanning application.
2. Press the scan trigger and aim the device at the barcode.



NOTE: For barcodes under transparent plastic or on a mobile computer screen, use a tilt (pitch) or skew scan angle to minimize reflection.

3. Adjust the position of the device so that the barcode is between two and eleven inches away, and the green LED aiming pattern appears at the center of the barcode.



The LED lights green and a beep sounds, by default, to indicate the barcode was decoded successfully.



NOTE: In some configurations proper decoding of a barcode is indicated by the software application running on the mobile computer.

Charging



NOTE: Follow the guidelines for battery safety described in the RS6100 Product Reference Guide.

Use one of the following accessories to charge the RS6100 and/or spare battery. Note that these accessories are for charging only and do not provide communication functionality.

RS6100 (battery in device):

- 4-Slot RS6100 Charging Cradle, p/n CRD-RS61-4SCHG-01
- 20-Slot RS6100 Charging Cradle, p/n CRD-RS61-20SCHG-01

Spare Battery:

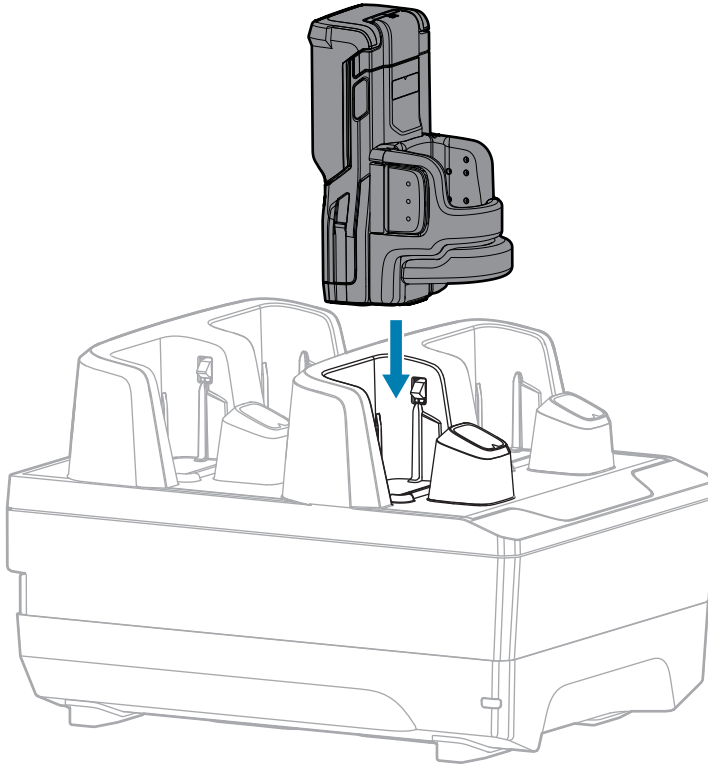
- 8-Slot Battery Charger, p/n SAC-RS51-8SCHG-01
- 40-Slot Battery Charger, p/n SAC-RS51-40SCHG-01

Refer to the RS6100 Product Reference Guide for detailed information on all charging accessories.

Charging the RS6100

To charge the RS6100:

1. Insert the RS6100 into one of the 4-Slot or 20-Slot Charging Cradle slots with the scan window facing the charge contacts.



2. Ensure that the RS6100 is properly seated in the charging slot.

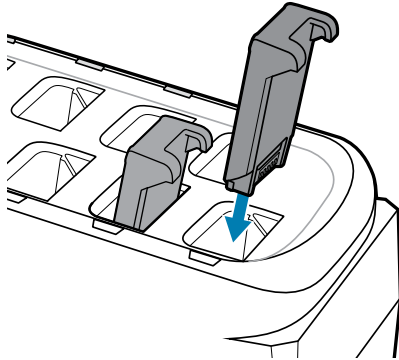


NOTE: Before performing a firmware update over Bluetooth, charge the RS6100.

Charging the Spare Battery

To charge a spare battery:

1. Insert a spare battery into one of the 8-Slot or 40-Slot Battery Charger slots.



2. Ensure the battery is seated properly. The charging LED blinks to indicate charging.

Battery Charging

The RS6100 charging LED indicates scanner battery charging status, and the spare battery charger LED indicates spare battery charging status.



NOTE: New batteries from the factory arrive in Ship Mode for protection. Insert them into a charger (cradle or battery charger) to activate the battery.

Table 4 Charging LED Indicators

State	Indication
Off	The battery is not charging. The RS6100 or battery is not inserted correctly in the cradle or charger, or is not connected to a power source. Cradle is not powered.
Solid Amber	Battery is charging.
Solid Green	Battery charging is complete.
Fast Blinking Red (2 blinks/second)	Charging error, e.g.: <ul style="list-style-type: none"> • Battery temperature is too low or too high for charging. • The battery has reached the charge cycle time-out period. Battery charging has gone on too long without completing a full charge cycle (typically eight hours).
Solid Red	Unhealthy battery is charging or fully charged.

Charge batteries in temperatures from 5°C to 40°C (41°F to 105°F). The standard battery charges from 0% to 90% in less than two and a half hours at room temperature. When the charging temperature is between 5°C to 10°C (41°F to 50°F), the standard battery charges in less than five hours.

The device and charger monitor battery temperature. Battery charging is only performed when the battery is within safe charging temperature limits. At higher temperatures (e.g., approximately +35 °C (+95 °F)) the device or charger may for small periods of time alternately enable and disable battery charging to keep the battery at acceptable temperatures. This process may require additional time to complete a full charge cycle. The RS6100 or charger indicate when charging is disabled due to abnormal temperatures via the Status LED.

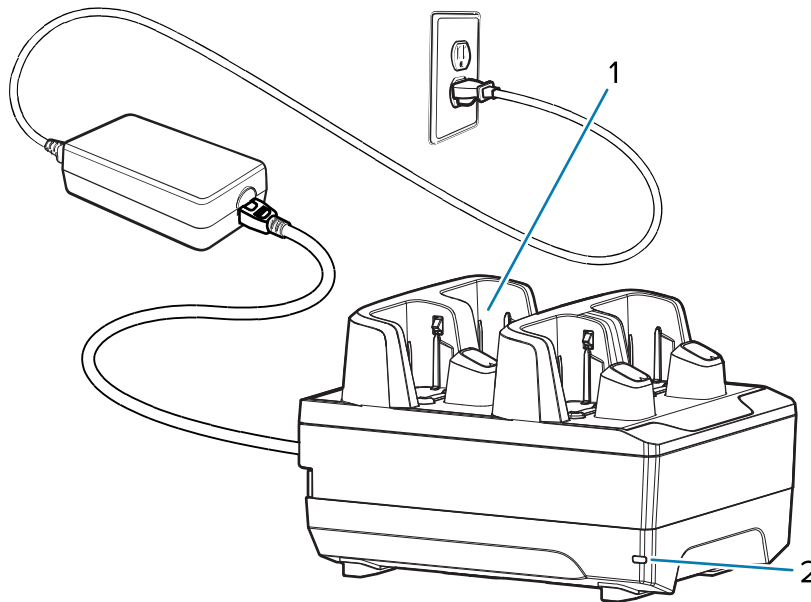
4-Slot Charging Cradle

The 4-Slot RS6100 Charging Cradle provides power for RS6100 operation and charges up to four batteries in the RS6100.



NOTE: Follow the guidelines for battery safety described in the RS6100 Product Reference Guide.

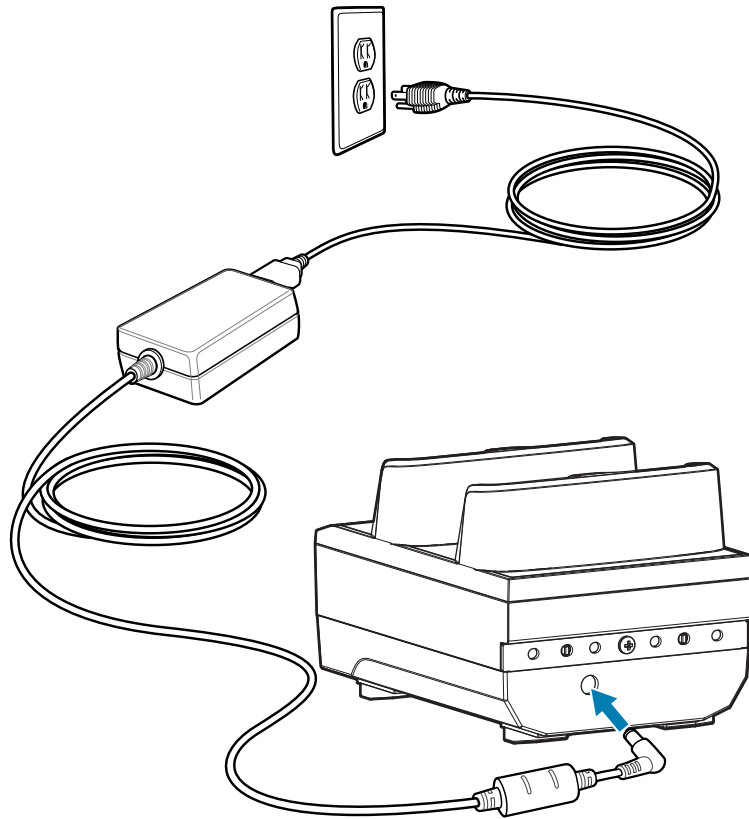
Figure 6 4-Slot Charging Cradle



1	RS6100 charging slots (4)
2	Power LED

4-Slot Charging Cradle Setup

Figure 7 4-Slot Charging Cradle Setup



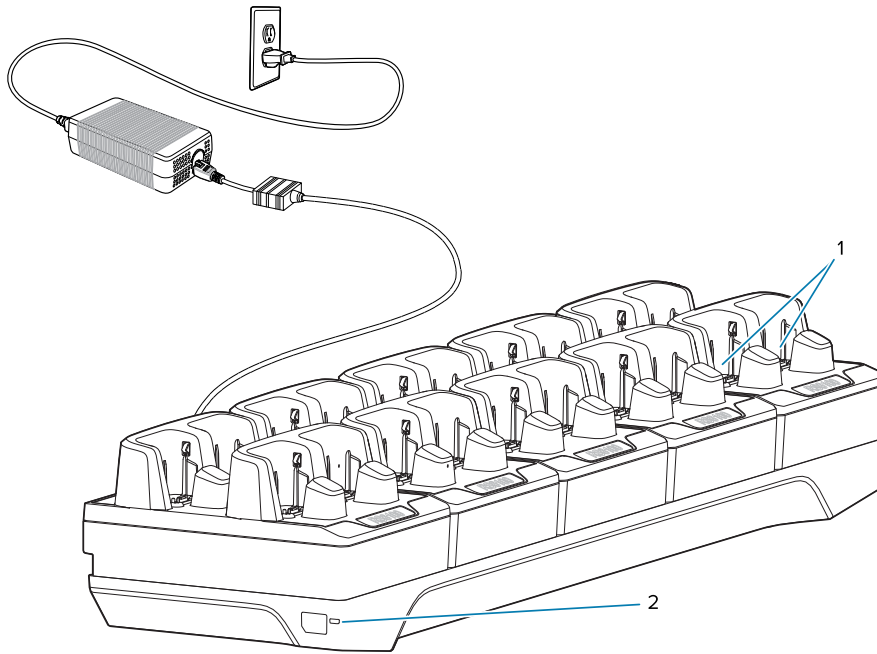
20-Slot Charging Cradle

The 20-Slot RS6100 Charging Cradle provides power for RS6100 operation and charges up to 20 batteries in the RS6100.



NOTE: Follow the guidelines for battery safety described in the RS6100 Product Reference Guide.

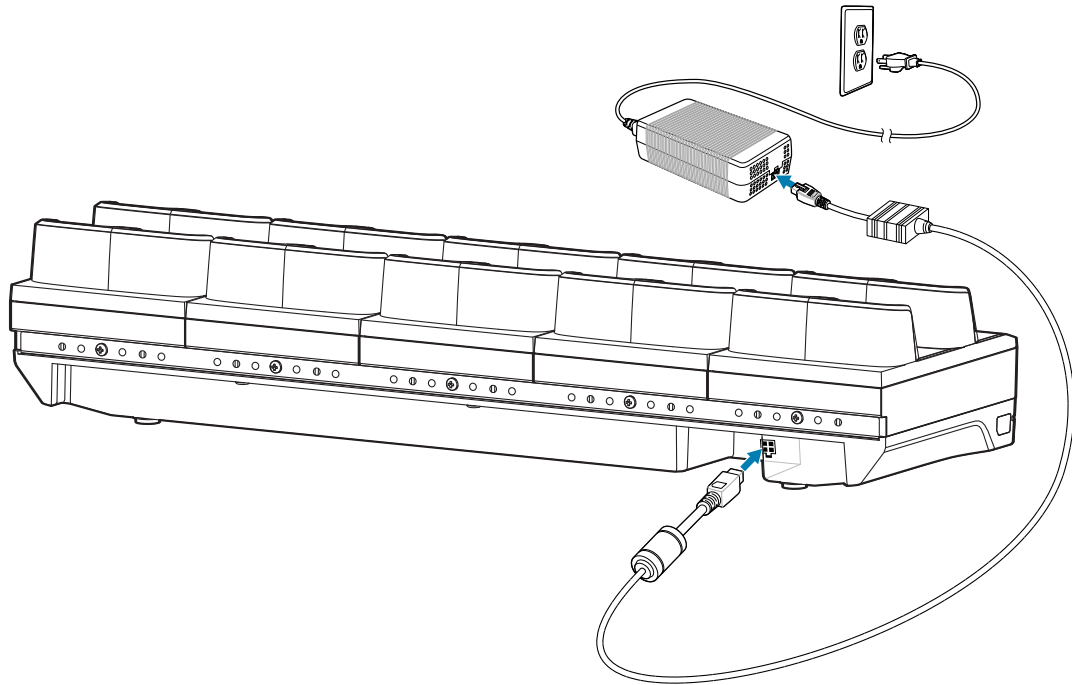
Figure 8 20-Slot Charging Cradle



1	RS6100 charging slots (20)
2	Power LED

20-Slot Charging Cradle Setup

Figure 9 20-Slot Charging Cradle Setup



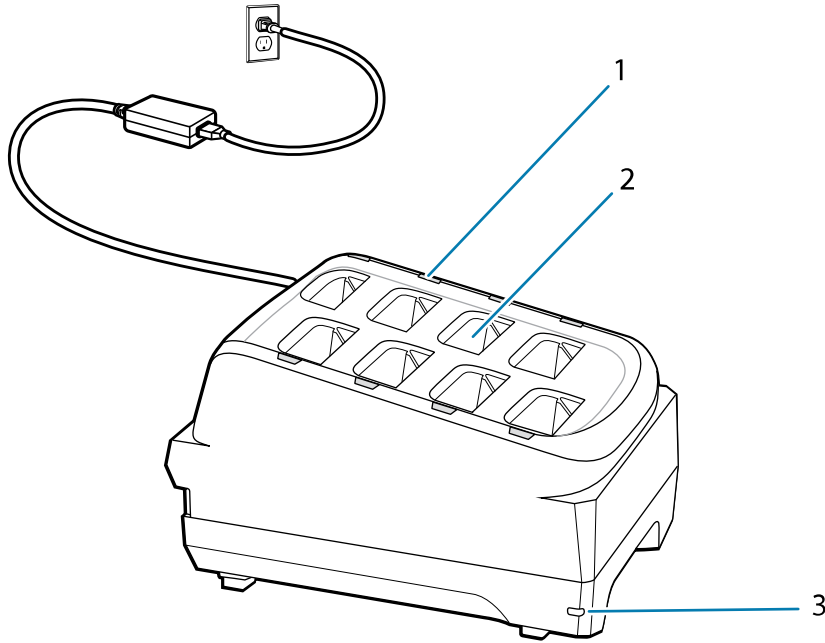
8-Slot Battery Charger



NOTE: Follow the guidelines for battery safety described in the RS6100 Product Reference Guide.

The 8-Slot Battery Charger charges up to eight spare batteries.

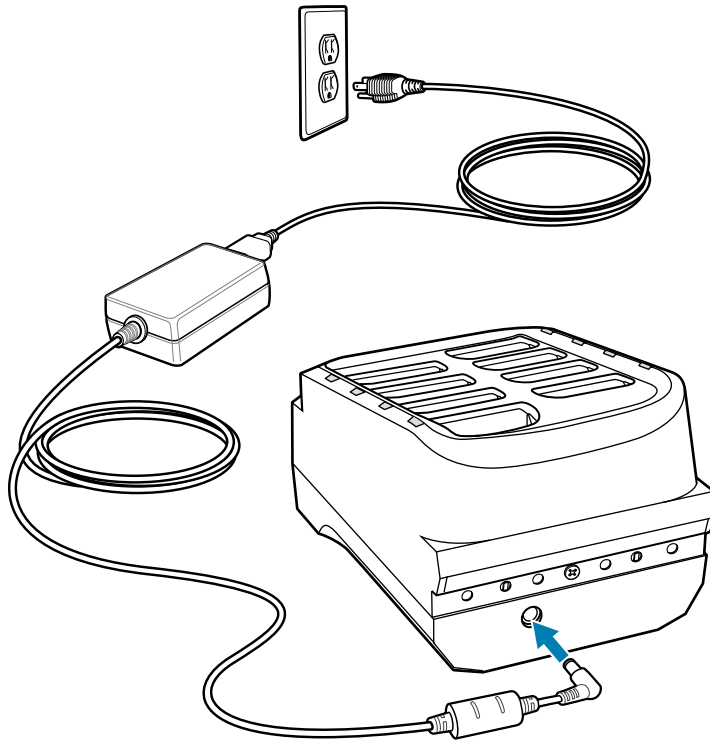
Figure 10 8-Slot Battery Charger



1	Battery charging LED (8)
2	Battery charging slot (8)
3	Power LED

8-Slot Battery Charger Setup

Figure 11 8-Slot Battery Charger Setup



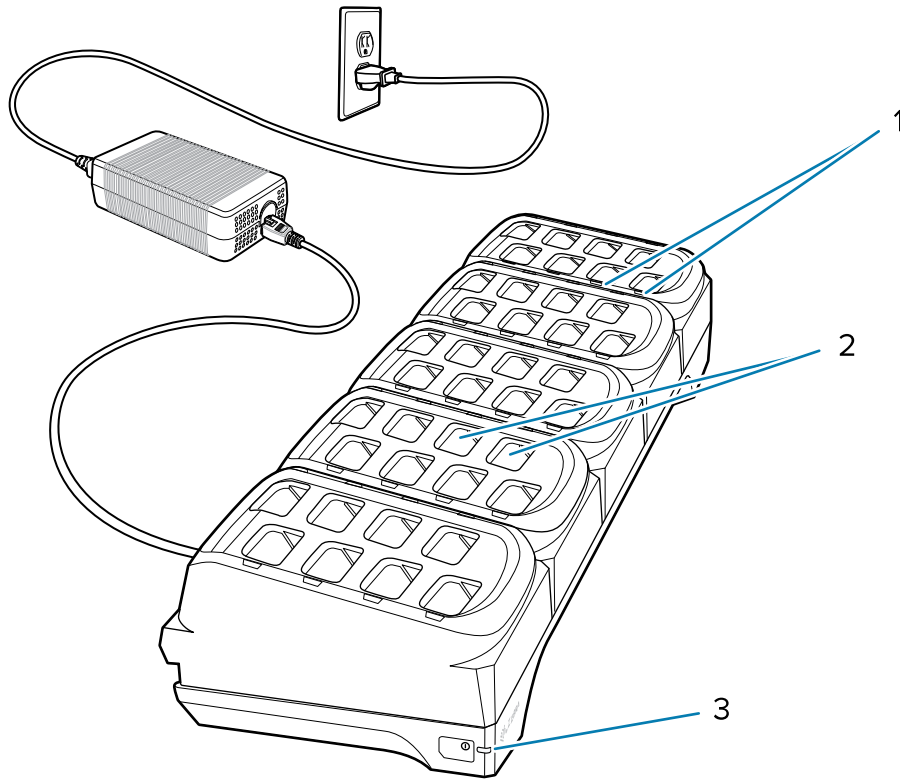
40-Slot Battery Charger

The 40-Slot Battery Charger charges up to forty spare batteries.



NOTE: Follow the guidelines for battery safety described in the RS6100 Product Reference Guide.

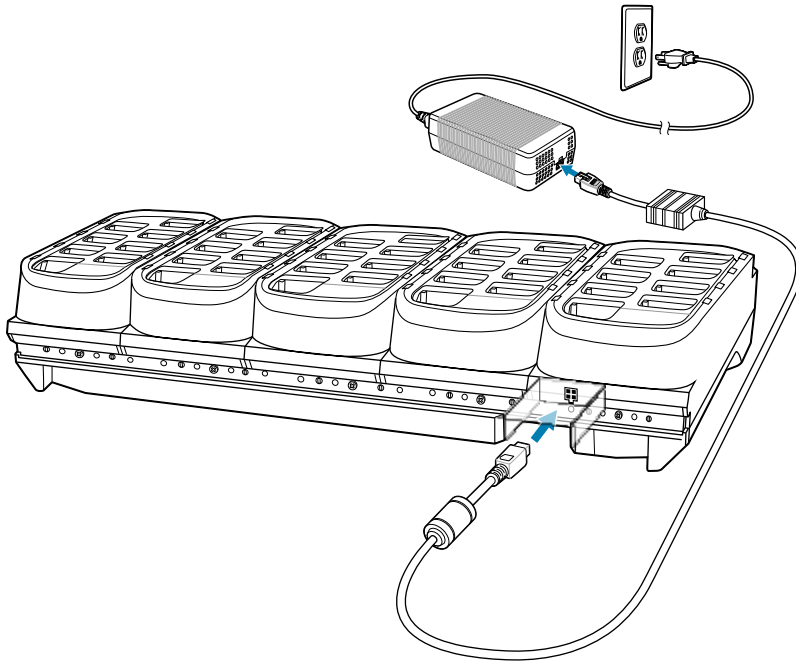
Figure 12 40-Slot Battery Charger



1	Battery charging LED (40)
2	Battery charging slot (40)
3	Power LED

40-Slot Battery Charger Setup

Figure 13 40-Slot Battery Charger Setup



Ergonomic Considerations

- Reduce or eliminate repetitive motion
- Maintain a natural position
- Reduce or eliminate excessive force
- Keep objects that are used frequently within easy reach
- Perform tasks at correct heights
- Reduce or eliminate vibration
- Reduce or eliminate direct pressure
- Provide adequate clearance
- Provide a suitable working environment
- Improve work procedures

