

Owner's Manual

SmartRack® NEMA-3R Wall-Mount Static Cabinet

General-Use Industrial Control

Models: SRN3RG6U, SRN3RG6UDP, SRN3RG12U
(Series Number: AG-0608)

Table of Contents

1. Important Safety Instructions	2	6. Wall Mounting the Enclosure	7
2. Overview	2	7. Equipment Installation	9
3. Feature Identification	3	8. Specifications	9
4. Enclosure Installation	4	8.1 Unit Dimensions	9
4.1 Preparation	4	8.2 Package Dimensions	9
4.2 Unpacking	4	9. Storage and Service	10
4.3 Ground Connection	5	10. Warranty and Product Registration	10
5. Enclosure Configuration	5	Español	11
5.1 Door Locks	5	Français	21
5.2 Cable Access and Management	5		
5.3 Mounting Rails	6		
5.4 Adjusting Mounting Rail Depth	6		

WARRANTY REGISTRATION

Register your product today and be automatically entered to win an ISOBAR® surge protector in our monthly drawing!

tripplite.com/warranty



1111 W. 35th Street, Chicago, IL 60609 USA • tripplite.com/support

Copyright © 2021 Tripp Lite. All rights reserved.

1. Important Safety Instructions

SAVE THESE INSTRUCTIONS

This manual contains instructions and warnings that must be followed during the installation and operation of the product described in this manual. Failure to comply may invalidate the warranty and cause property damage or personal injury.

- The enclosure is extremely heavy. Use caution when handling the enclosure. Do not attempt to unpack, move or install it unassisted. Use a mechanical device such as a forklift or pallet jack to move the enclosure in the shipping container.
- Do not place any object on the enclosure, especially containers of liquid, and do not attempt to stack the enclosures.
- Inspect the shipping container and the enclosure for shipping damage. Do not use the enclosure if it is damaged.
- Leave the enclosure in the shipping container until it has been moved as close to the final installation location as possible.
- Leave adequate space at the front, rear, top and bottom of the enclosure for proper ventilation. Do not block, cover or insert objects into the external ventilation openings of the enclosure.
- For permanent wall mounting, be sure to securely fasten the enclosure to the building structure before operation.
- Use caution when cutting packing materials. The enclosure could be scratched, causing damage not covered by the warranty.
- Save all packing materials for later use. Repacking and shipping the enclosure without the original packing materials may cause product damage that will void the warranty.
- Use of this equipment in life support applications where failure of this equipment can reasonably be expected to cause the failure of the life support equipment or to significantly affect its safety or effectiveness is not recommended.
- This enclosure supports a maximum Conduit Trade Size 2 with a 2.5 inch hole.
- Use only NEMA-3R (or higher) rated conduit/fittings to maintain the enclosure's environmental protection rating.

2. Overview

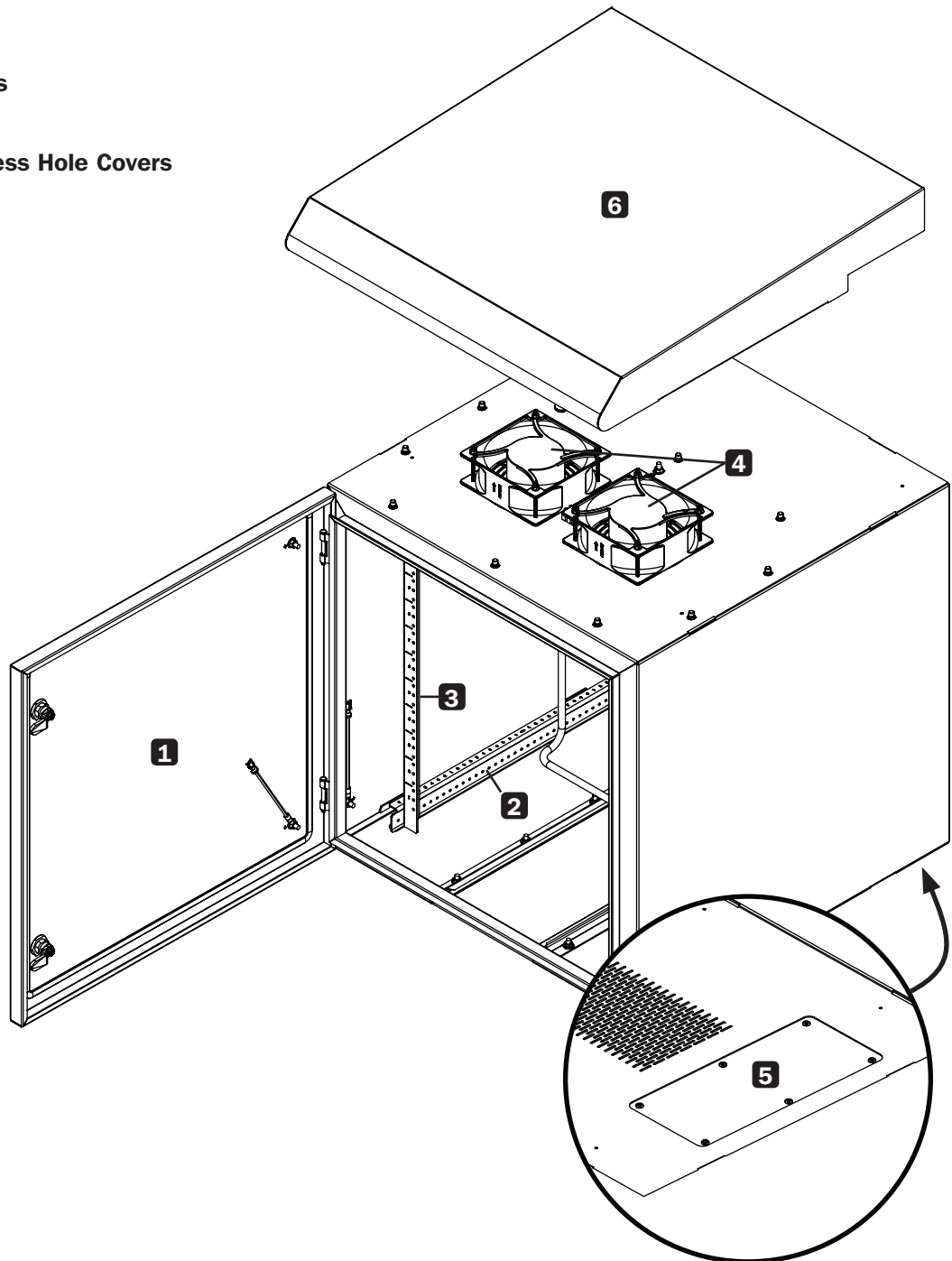
Wall-mounted NEMA 3R enclosures accommodate all standard 19-inch rack-mount equipment, regardless of vendor, and ship fully assembled for quick and easy deployment. They have a NEMA 3R rating for protection against falling dirt, rain, sleet, snow, windblown dust, splashing water, hose-directed water and external formation of ice. They feature adaptable, heavy-duty cabinets in various heights. All models have a hinged design that lets the cabinet swing away from the wall bracket for easy equipment access.

Wall-mounted NEMA 3R enclosures have variable mounting depths, ideal for servers. The cabinets include a lockable, removable front door.

3. Feature Identification

Model SRN3RG12U is shown. The other models have similar features, with the only differences being rack height and depth.

- 1** Front Door
- 2** Horizontal Rails
- 3** Vertical Mounting Rails
- 4** Internal Fans
- 5** Removable Cable Access Hole Covers
- 6** Fan Cover Panel



4. Enclosure Installation



Caution! Read All Instructions and Warnings Before Installation!



Warning: Rack enclosures can be extremely heavy. Do not attempt to unpack, move or install the enclosure without assistance. Use extreme caution when handling the enclosure and be sure to follow all handling and installation instructions. Do not attempt to install equipment without first stabilizing the enclosure.

4.1 Preparation

The enclosure must be installed in a structually sound area that is able to bear the weight of the enclosure, all the equipment that will be installed in the enclosure and any other enclosures and/or equipment that will be installed nearby. Before unpacking the enclosure, you should transport the shipping container closer to the final installation location to minimize the distance you will need to move the unit after the protective packaging has been removed. If you plan to store the enclosure for an extended period before installation, follow the instructions in the **Storage and Service** section.

You need several tools:

- Level
- Phillips-head screwdriver
- Appropriate tools for wall mounting

You also need the following hardware:

- Appropriate hardware for wall mounting (not included)

4.2 Unpacking



Use at least two people to unpack the enclosure.



- 1** Move shipping pallet to a firm, level surface.
- 2** Open box and remove the four foam corner protectors. Save all packing materials for later use unless you are certain they will not be required. Packing materials are recyclable.
- 3** With one person on each side, carefully lift the enclosure out of the box and place on a firm, level surface.
- 4** Examine the enclosure for any damage or loose parts. Confirm all parts are present. If anything is missing or damaged, contact Tripp Lite for assistance. Do not attempt to use the enclosure if it has been damaged.



Never extend more than one component from the enclosure at a time.



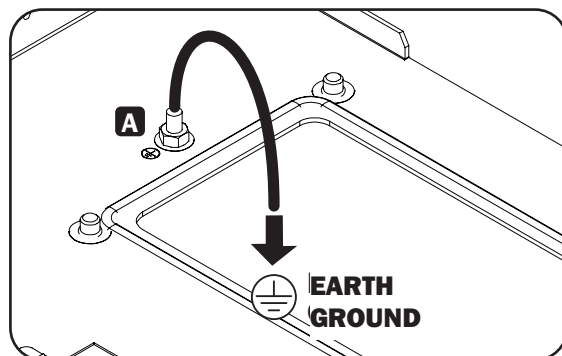
Warning: Never attempt to lift or install without adequate help. Do not try lifting the enclosure alone.



4. Enclosure Installation

4.3 Ground Connection

All parts of the enclosure are grounded to the frame of the enclosure. Use the enclosure's rear threaded grounding point **A** and an M6 hex nut and washer (included) to connect the frame of the enclosure directly to your facility's earth ground connection with an 8 AWG (3.264 mm) wire. Route the ground wire under the enclosure's frame to ensure unhindered door operation. **Warning: Attach each enclosure to earth ground separately. Do not use the enclosure without an earth ground connection.**

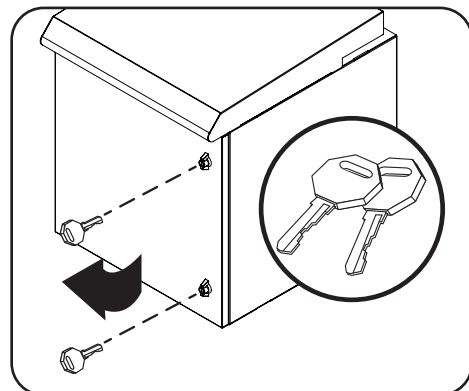


5. Enclosure Configuration

Before installation, be sure to plan the location and arrangement of components within the enclosure. Be sure all mounting rails are reversed or adjusted for depth, depending on your equipment configuration.

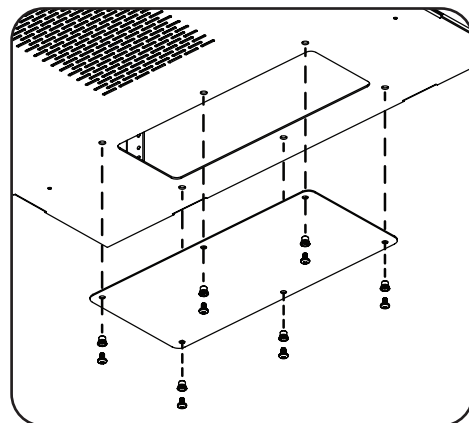
5.1 Door Locks

The front door has locks that can be opened with the included keys.



5.2 Cable Access and Management

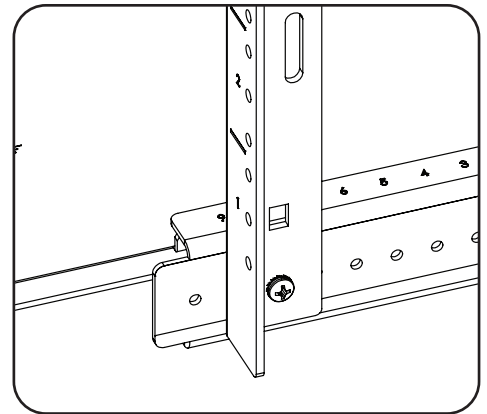
The bottom of the enclosure has an opening for cable access and management. The opening can be closed by screwing in the removable cable access panel.



5. Enclosure Configuration

5.3 Mounting Rails

The enclosure comes with mounting rails that have tapped holes for mounting rack equipment. To install equipment, use the included hardware. **Warning: Be sure to have the enclosure securely mounted to the wall, or in its final position on the floor, before mounting any equipment inside. Also be sure to have all the right adjustments on your rails before mounting equipment. (See below for Adjusting Mounting Rail Depth.)**

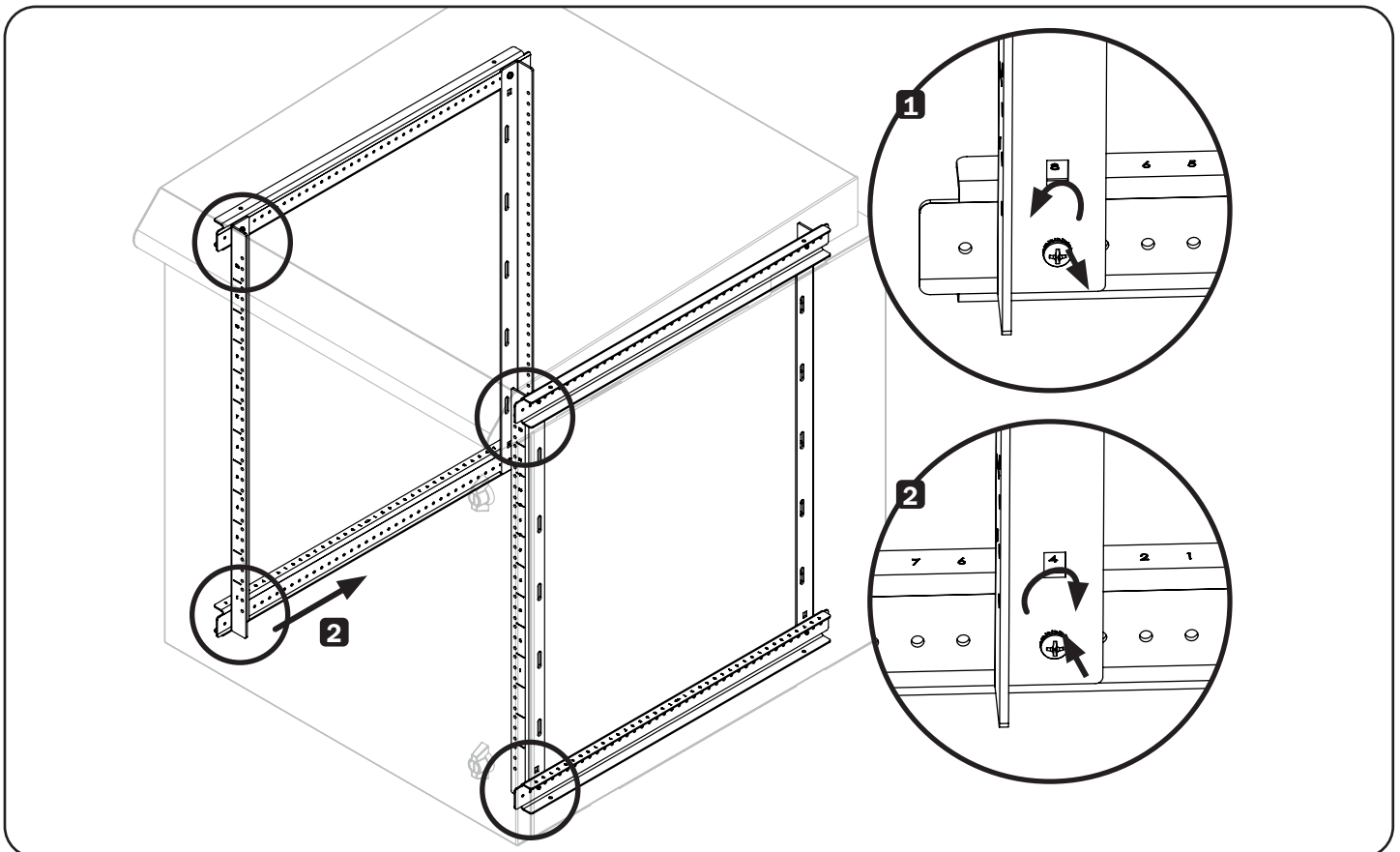


5.4 Adjusting Mounting Rail Depth

Warning: Do not attempt to adjust rails while equipment is installed in the enclosure. Do not attempt to use rails without screws installed (2 per rail).

Depending on the model, either two or four mounting rails will be pre-installed in the cabinet. The preset mounting depth varies based on the model. Do not adjust the mounting rails unless your equipment requires a different mounting depth. The front and rear sets of rails can be adjusted independently in 1/2 inch (12.7 mm) increments.

- 1** Each equipment mounting rail is connected to the enclosure with 2 screws: 1 in the upper corner and another in the lower corner. Using a Phillips-head screwdriver, remove the screws that fasten the rails to the enclosure.
- 2** Slide the mounting rails to the desired depth and reattach them using the screws you removed in Step 1.



6. Wall Mounting the Enclosure

1. Mount the enclosure to wall studs



Warning: Never attempt to lift or install without adequate help. Do not try lifting the enclosure alone.



Do not attempt to mount the enclosure to the wall with equipment in the enclosure.



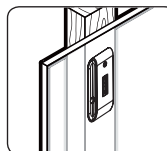
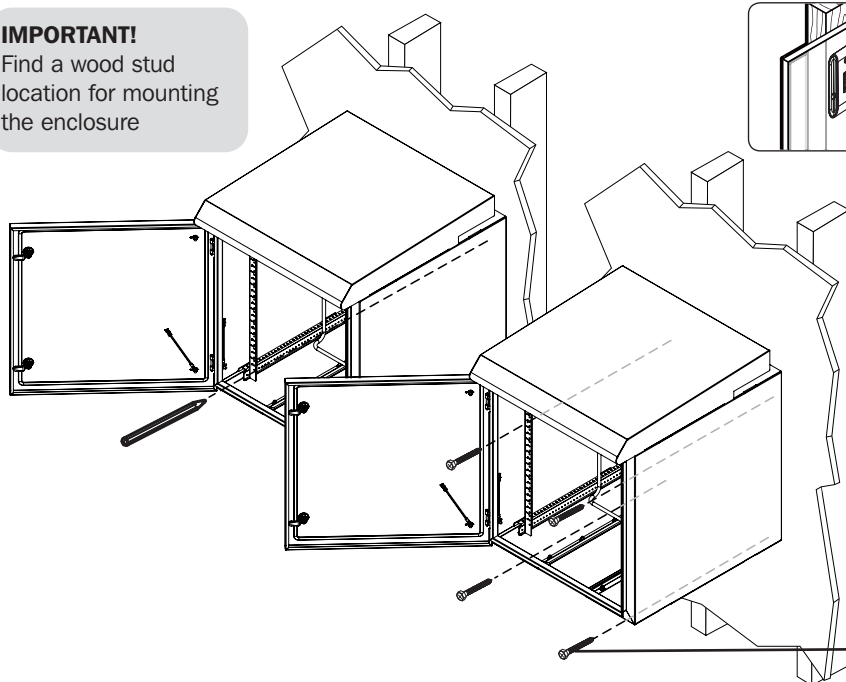
The supporting surface must be able to safely support the combined load of the equipment and all attached hardware and components. For the actual weight, size and load capacity of the enclosure, view the product specifications and other support resources at tripplite.com/support.



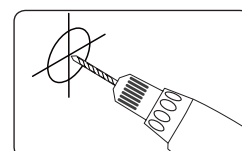
- Installers are responsible for providing wall-mounting hardware. Use a minimum of four screws (not included, sizes will vary by model) to secure the enclosure in place. Make sure to use the included fender washers with the mounting screws inside and outside the cabinet's mounting holes, with the foam side of washer against cabinet.
- Make sure mounting screws are anchored into the center of the studs. Use of a stud finder is highly recommended.
- If there is no stud at the mounting location, it is recommended you install studs at the desired location to secure the enclosure in place. **DO NOT** use plastic expansion wall anchors, threaded drywall anchors, threaded drywall toggles, sleeve-type hollow wall anchors (a.k.a. molly bolts) or toggle bolts, due to the weight of the enclosure.
- Use suitable mounting means when installing to cinder block, concrete, or wood studs. It is the installer's responsibility to choose suitable mounting hardware (not supplied). **DO NOT** use plastic expansion wall anchors, threaded drywall anchors, threaded drywall toggles, sleeve-type hollow wall anchors (a.k.a. molly bolts) or toggle bolts, due to the weight of the enclosure.
- If placing the enclosure over a telecommunications receptacle, remove the wall plate, then fasten the enclosure to the wall. Once secured, fasten the wall plate over the receptacle.
- If no telecommunications receptacle is available, a surface mount box (or biscuit jack) and equipment cord can be mounted inside the unit.
- Use an adhesive-backed surface mount box.

IMPORTANT!

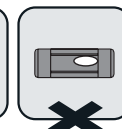
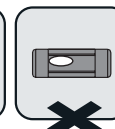
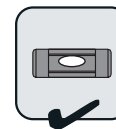
Find a wood stud location for mounting the enclosure



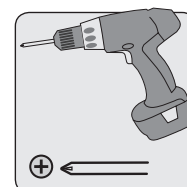
Mark the exact location of the mounting holes



Drill pilot holes



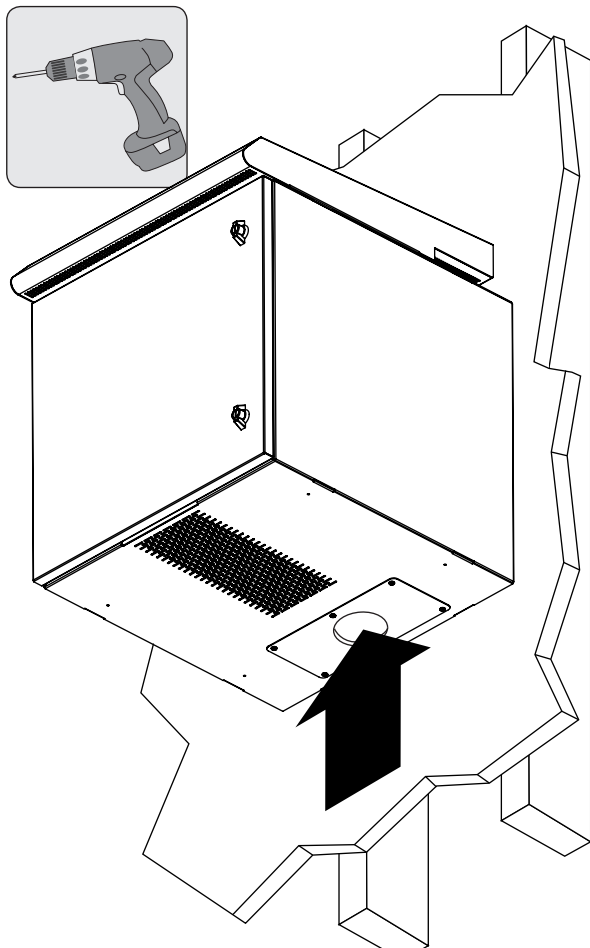
Attach the enclosure onto the wall



(Mounting Hardware Not Included)

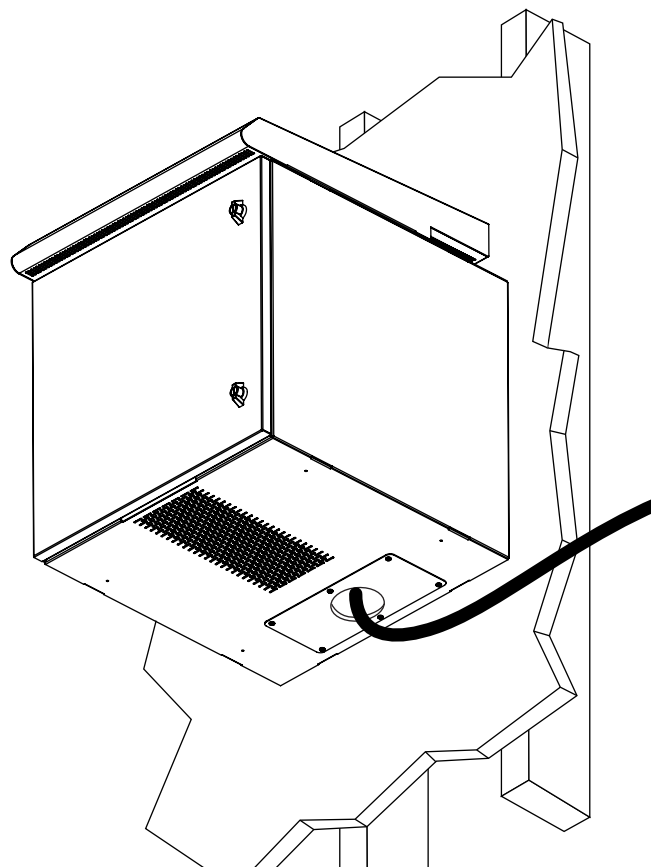
6. Wall Mounting the Enclosure

2. Use a Drill and Punch (Such as a Greenlee) to Create a Bottom Conduit Cutout



Note: This conduit cover supports a maximum Conduit Trade Size 2 with 2.5" hole.

3. Run Data and Power Cable (If Required) Through the Conduit Cutout

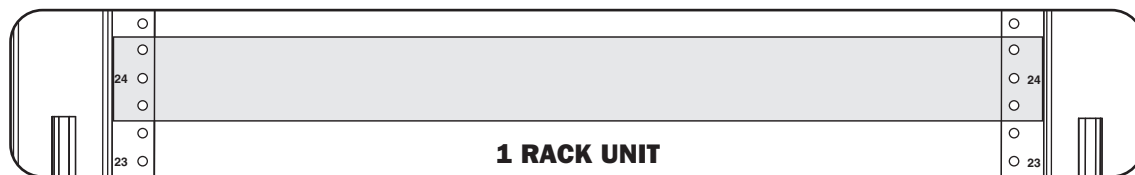


Note: To maintain a NEMA rating, use sealed fittings in the cutouts when connecting to conduit. Accessory gland plates with model numbers SRGP1KO, SRGP2KO, SRGP3RM and SRGP4PLASTIC are available (sold separately).

7. Equipment Installation

Warning: Do not install equipment until you have stabilized the enclosure. Install heavier equipment first and install it towards the bottom of the enclosure. Install equipment starting from the bottom of the enclosure and proceeding toward the top of the enclosure—never the reverse. If using sliding equipment rails, be careful when extending the rails. Do not extend more than one set of sliding equipment rails at one time. Avoid extending sliding equipment rails near the top of the enclosure.

Note: The tapped holes in the middle of each rack unit are numbered and also include a small notch to aid identification. A single rack unit includes the space occupied by the numbered hole and the holes directly above and below.



8. Specifications

8.1 Unit Dimensions

MODEL	SRN3RG6U	SRN3RG6UDP	SRN3RG12U
HEIGHT	17.29 in. (439 mm)	17.49 in. (444 mm)	28.07 in. (713 mm)
WIDTH	24.00 in. (610 mm)	24.00 in. (610 mm)	24.00 in. (610 mm)
DEPTH	20.69 in. (526 mm)	25.20 in. (640 mm)	27.19 in. (691 mm)
WEIGHT	73.53 lb. (33.4 kg)	85.56 lb. (38.8 kg)	96.28 lb. (43.7 kg)

8.2 Package Dimensions

MODEL	SRN3RG6U	SRN3RG6UDP	SRN3RG12U
HEIGHT	23.50 in. (570 mm)	23.50 in. (570 mm)	34.00 in. (864 mm)
WIDTH	26.00 in. (660 mm)	28.00 in. (711 mm)	28.00 in. (711 mm)
DEPTH	28.00 in. (711 mm)	29.00 in. (737 mm)	32.50 in. (826 mm)
WEIGHT	125.00 lb. (56.7 kg)	135.00 lb. (61.2 kg)	175.00 lb. (79.4 kg)

9. Storage and Service

Storage

The enclosure should be stored in a controlled indoor environment, away from moisture, temperature extremes, flammable liquids and gasses, conductive contaminants, dust and direct sunlight. Store the enclosure in its original shipping container if possible.

Service

Your Tripp Lite product is covered by the warranty described in this manual. A variety of Extended Warranty and On-Site Service Programs are also available from Tripp Lite. For more information on service, visit tripplite.com/support. Before returning your product for service, follow these steps:

1. Review the installation and operation procedures in this manual to insure that the service problem does not originate from a misreading of the instructions.
2. If the problem continues, do not contact or return the product to the dealer. Instead, visit tripplite.com/support.
3. If the problem requires service, visit tripplite.com/support and click the Product Returns link. From here you can request a Returned Material Authorization (RMA) number, which is required for service. This simple on-line form will ask for your unit's model and serial numbers, along with other general purchaser information. The RMA number, along with shipping instructions will be emailed to you. Any damages (direct, indirect, special or consequential) to the product incurred during shipment to Tripp Lite or an authorized Tripp Lite service center is not covered under warranty. Products shipped to Tripp Lite or an authorized Tripp Lite service center must have transportation charges prepaid. Mark the RMA number on the outside of the package. If the product is within its warranty period, enclose a copy of your sales receipt. Return the product for service using an insured carrier to the address given to you when you request the RMA.

10. Warranty and Product Registration

5-Year Limited Warranty

Seller warrants this product, if used in accordance with all applicable instructions, to be free from original defects in material and workmanship for a period of 5 years from the date of initial purchase. If the product should prove defective in material or workmanship within that period, Seller will repair or replace the product, in its sole discretion.

THIS WARRANTY DOES NOT APPLY TO NORMAL WEAR OR TO DAMAGE RESULTING FROM ACCIDENT, MISUSE, ABUSE OR NEGLIGENCE. SELLER MAKES NO EXPRESS WARRANTIES OTHER THAN THE WARRANTY EXPRESSLY SET FORTH HEREIN. EXCEPT TO THE EXTENT PROHIBITED BY APPLICABLE LAW, ALL IMPLIED WARRANTIES, INCLUDING ALL WARRANTIES OF MERCHANTABILITY OR FITNESS, ARE LIMITED IN DURATION TO THE WARRANTY PERIOD SET FORTH ABOVE; AND THIS WARRANTY EXPRESSLY EXCLUDES ALL INCIDENTAL AND CONSEQUENTIAL DAMAGES. (Some states do not allow limitations on how long an implied warranty lasts, and some states do not allow the exclusion or limitation of incidental or consequential damages, so the above limitations or exclusions may not apply to you. This warranty gives you specific legal rights, and you may have other rights which vary from jurisdiction to jurisdiction).

WARNING: The individual user should take care to determine prior to use whether this device is suitable, adequate or safe for the use intended. Since individual applications are subject to great variation, the manufacturer makes no representation or warranty as to the suitability or fitness of these devices for any specific application.

Product Registration

Visit tripplite.com/warranty today to register your new Tripp Lite product. You'll be automatically entered into a drawing for a chance to win a FREE Tripp Lite product!*

* No purchase necessary. Void where prohibited. Some restrictions apply. See Web site for details.

Tripp Lite follows a policy of continuous improvement. Product specifications are subject to change without notice. Photos and illustrations may differ slightly from actual products.



1111 W. 35th Street, Chicago, IL 60609 USA • tripplite.com/support

21-02-095_933E04_RevA

Manual del Propietario

Gabinete Estático SmartRack® NEMA 3R para Instalación en Pared

Control Industrial de Uso General

Modelos: SRN3RG6U, SRN3RG6UDP, SRN3RG12U
(Número de Serie: AG-0608)

Índice

1. Instrucciones de Seguridad Importantes	12	6. Instalando el gabinete en la pared	17
2. Descripción General	12	7. Instalación del Equipo	19
3. Identificación de Características	13	8. Especificaciones	19
4. Instalación del Gabinete	14	8.1 Dimensiones de la Unidad	19
4.1 Preparación	14	8.2 Dimensiones del Paquete	19
4.2 Desempacado	14	9. Almacenamiento y Servicio	20
4.3 Conexión a Tierra	15	10. Garantía	20
5. Configuración del Gabinete	15	English	1
5.1 Cerraduras de la Puerta	15	Francais	21
5.2 Acceso y Administración del Cableado	15		
5.3 Rieles de Instalación	16		
5.4 Ajuste de Profundidad del Riel de Instalación	16		



1. Instrucciones de Seguridad Importantes

CONSERVE ESTAS INSTRUCCIONES

Este manual contiene instrucciones y advertencias que deben observarse durante la instalación y operación del producto descrito en este manual. El no hacerlo puede invalidar la garantía y causar daños a la propiedad o lesiones personales.

- El gabinete es extremadamente pesado. Tenga cuidado al manipular el gabinete. No intente desempacarlo, moverlo o instalarlo sin ayuda. Utilice un dispositivo mecánico como un montacargas o gato para tarimas para mover el gabinete en el contenedor de embarque.
- No coloque ningún objeto sobre el gabinete, especialmente recipientes con líquidos y no intente apilar los gabinetes.
- Inspeccione el contenedor de embarque y el gabinete para detectar daños durante el transporte. No use el gabinete si está dañado.
- Deje el gabinete en el contenedor de embarque hasta que haya sido movido tan cerca a su ubicación final como sea posible.
- Deje espacio suficiente en la parte delantera, trasera, superior e inferior del gabinete para una ventilación adecuada. No bloquee, cubra ni coloque objetos en las aberturas externas de ventilación del gabinete.
- Para instalación permanente en la pared, asegúrese de fijar firmemente el gabinete a la estructura del edificio antes de la operación.
- Tenga cuidado cuando corte el material de empaque. El gabinete podría haber sido rasguñado o rayado, causando daños no cubiertos por la garantía.
- Guarde todo el material de empaque para uso posterior. Volver a empacar y enviar el gabinete sin el material de empaque original puede ocasionar daños al producto que anularían la garantía.
- No se recomienda el uso de este equipo en aplicaciones de soporte vital donde es razonable esperar que la falla de este equipo provoque la falla del equipo de soporte vital o afecte significativamente su seguridad o eficiencia.
- Este gabinete permite un tamaño comercial máximo de conductos 2 con orificio de 64 mm [2.5"].
- Use solo conductos y conexiones con especificación NEMA 3R (o superior) para mantener la capacidad de protección ambiental del gabinete.

2. Descripción General

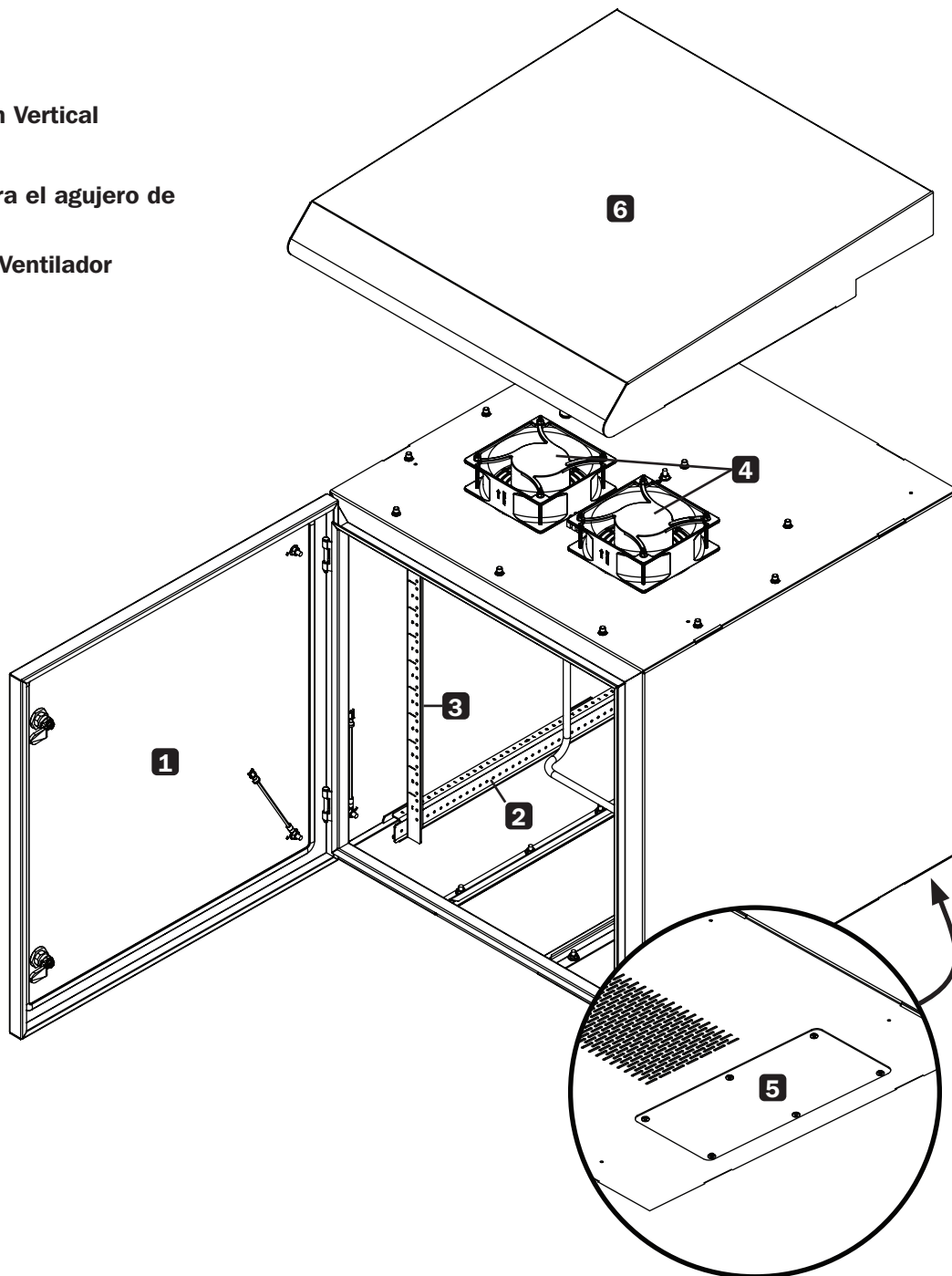
Los gabinetes NEMA 3R para instalación en la pared acomodan todo el equipo para instalación en rack estándar de 19", sin importar el proveedor y se embarcan completamente ensamblados para una instalación rápida y fácil. Tienen una especificación NEMA 3R para protección contra caída de suciedad, lluvia, aguanieve, nieve, polvo arrastrado por el viento, salpicaduras de agua, agua dirigida con manguera y formación externa de hielo. Cuentan con gabinetes adaptables de servicio pesado en diversas alturas. Todos los modelos tienen un diseño abisagrado que permite al gabinete girar alejándose del soporte de pared para un fácil acceso al equipo.

Los gabinetes NEMA 3R para instalación en la pared tienen profundidades variables de instalación, ideales para servidores. Los gabinetes incluyen una puerta frontal removible, con cerradura.

3. Identificación de Características

Se muestra el modelo SRN3RG12U. Los otros modelos tienen características similares, siendo las únicas diferencias la altura y la profundidad del rack.

- 1** Puerta Delantera
- 2** Rieles Horizontales
- 3** Rieles para Instalación Vertical
- 4** Ventiladores Internos
- 5** Cubierta removible para el agujero de acceso de los cables
- 6** Panel de Cubierta del Ventilador



4. Instalación del Gabinete



¡Precaución! ¡Lea todas las instrucciones y advertencias antes de realizar la instalación!



Advertencia: Los gabinetes son extremadamente pesados. No intente desempacar, mover o instalar el gabinete sin asistencia. Tenga mucho cuidado al manipular el gabinete y asegúrese de seguir todas las instrucciones de manejo e instalación. No intente instalar equipo sin estabilizar primero el gabinete.

4.1 Preparación

El gabinete debe instalarse en un área estructuralmente firme que sea capaz de soportar el peso del gabinete, todo el equipo que se instale en el gabinete y otros gabinetes y/o equipo que se instalen cerca. Antes de desempacar el gabinete, debe mover el contenedor de embarque lo más cerca posible a la posición de instalación final para minimizar la distancia de desplazamiento de la unidad después de haber retirado el empaque protector. Si va a almacenar el gabinete durante un largo período antes de la instalación, siga las instrucciones en la sección de **Almacenamiento y Servicio**.

Necesitará varias herramientas:

- Nivel
- Desarmador con punta Phillips
- Herramientas adecuadas para la instalación en pared

Necesitará además los siguientes accesorios:

- Accesorios adecuados para la instalación en la pared (no se incluyen)

4.2 Desempacado



Use al menos dos personas para desempacar el gabinete.



- 1** Mueva la tarima de embarque a una superficie firme y nivelada.
- 2** Abra la caja y retire los cuatro protectores de las esquinas. Guarde todos los materiales de empaque para uso posterior a menos que esté seguro de no necesitarlos. Los materiales de empaque son reciclables.
- 3** Con una persona en cada lado, levante cuidadosamente el gabinete fuera de la caja y colóquelo sobre una superficie firme y nivelada.
- 4** Examine el gabinete para detectar cualquier daño o parte floja. Confirme que todas las partes estén presentes. Si algo está faltante o dañado, póngase en contacto con Tripp Lite para solicitar ayuda. No intente usar el gabinete si ha sido dañado.



Nunca extienda a la vez más de un componente desde el gabinete.



Advertencia: Nunca intente levantar o instalar sin la ayuda adecuada. No trate de levantar el gabinete solo.

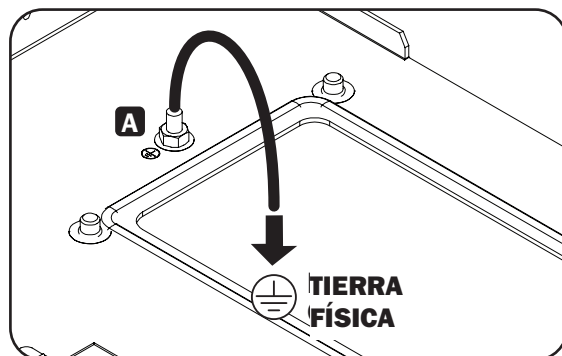


4. Instalación del Gabinete

4.3 Conexión a Tierra

Todas las partes del gabinete se conectan a tierra con el bastidor del gabinete. Use el punto roscado de conexión a tierra posterior **A** y una tuerca hexagonal M6 y arandela (incluidas) para conectar el marco del gabinete directamente a la conexión de tierra de su instalación con un cable 8 AWG (3.264 mm). Conduzca el cable de tierra bajo el marco del gabinete para asegurar la operación sin obstáculos de la puerta.

Advertencia: Conecte cada gabinete por separado a la conexión a tierra física. No use el gabinete sin una conexión a tierra física.

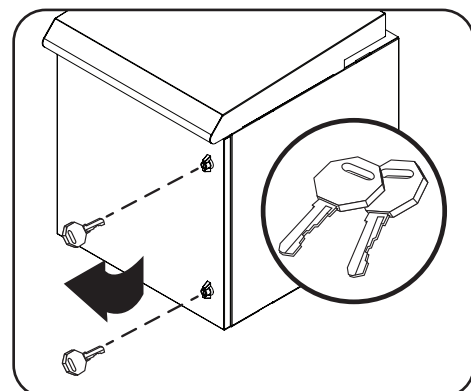


5. Configuración del Gabinete

Antes de la instalación, asegúrese de planear la ubicación y arreglo de los componentes dentro del gabinete. Asegure que los rieles de instalación estén invertidos o ajustados para la profundidad, dependiendo de la configuración de su equipo.

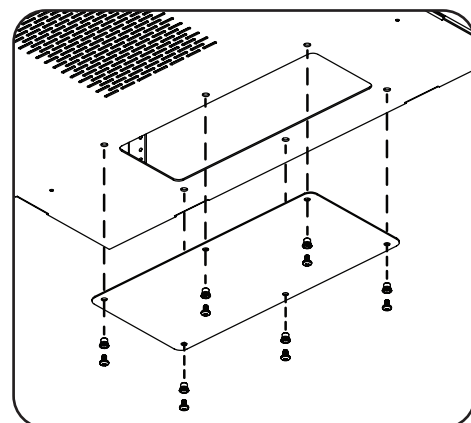
5.1 Cerraduras de la Puerta

La puerta frontal tiene cerraduras que pueden abrirse con las llaves incluidas.



5.2 Acceso y Administración del Cableado

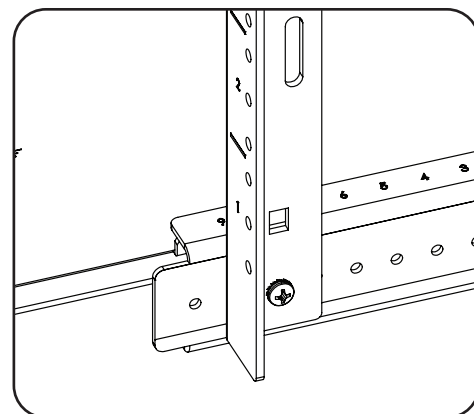
La parte inferior del gabinete tiene una abertura para acceso y administración del cableado. La abertura puede ser cerrada atornillando el panel removible de acceso de cables.



5. Configuración del Gabinete

5.3 Rieles de Instalación

El gabinete viene con rieles de instalación que tienen orificios roscados para equipos de instalación en rack. Para instalar el equipo, use los accesorios incluidos. **Advertencia: Asegúrese de tener el gabinete instalado firmemente en la pared o en su posición final sobre el piso antes de instalar cualquier equipo dentro de él. Asegúrese además de tener todos los ajustes correctos en sus rieles antes de instalar el equipo. (Para el Ajuste de Profundidad del Riel de Instalación, vea abajo).**

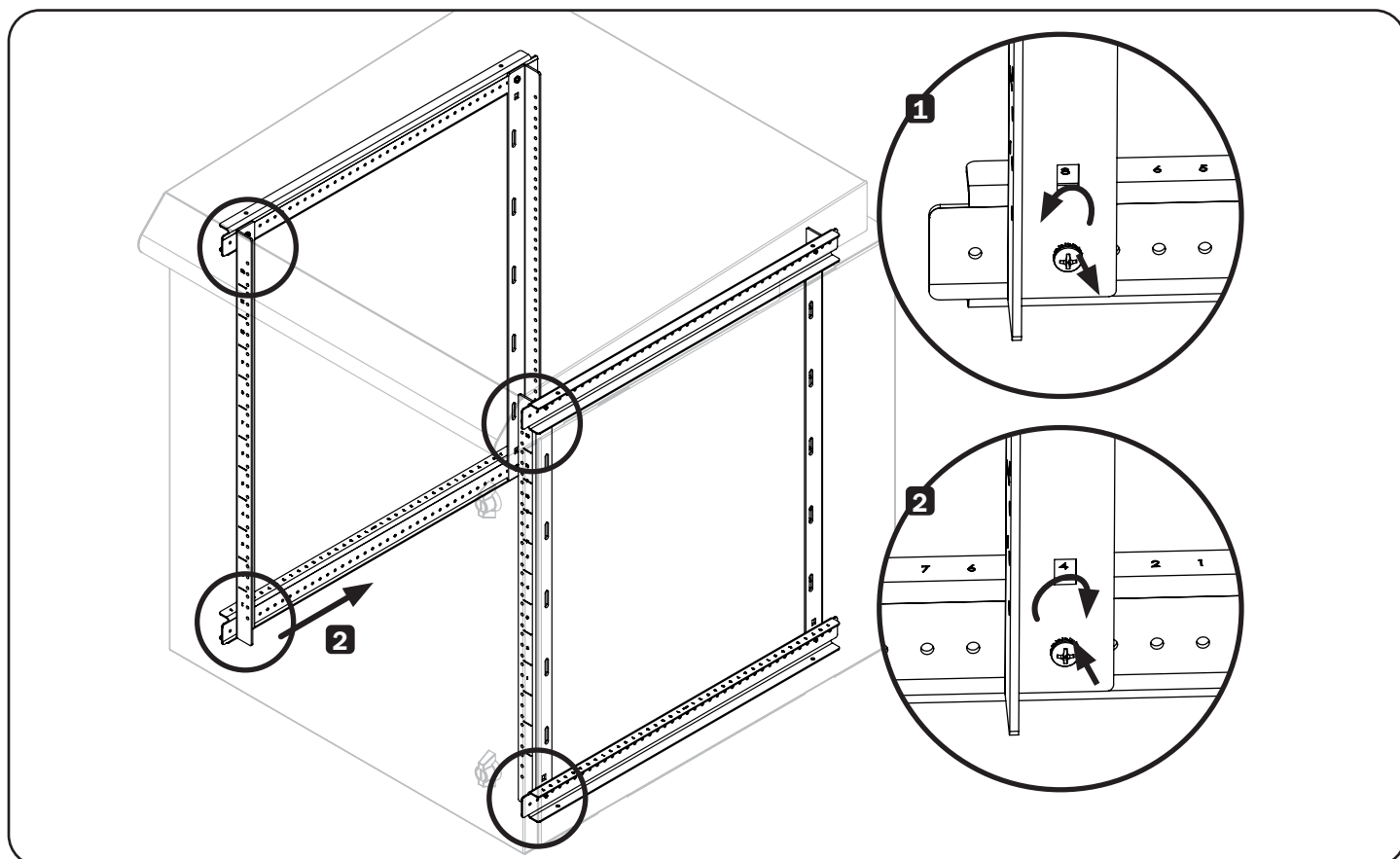


5.4 Ajuste de Profundidad del Riel de Instalación

Advertencia: No intente ajustar los rieles mientras el equipo está instalado en el gabinete. No intente usar los rieles sin los tornillos instalados (dos por riel).

Dependiendo del modelo, dos o cuatro rieles de instalación estarán preinstalados en el gabinete. La profundidad de instalación predeterminada varía según el modelo. No ajuste los rieles de instalación a menos que su equipo requiera una profundidad de instalación diferente. Los juegos de rieles anterior y posterior pueden ajustarse independientemente en incrementos de 12.7 mm [1/2"].

- 1 Cada riel para instalación de equipos está conectado al gabinete con 2 tornillos: 1 en la esquina superior y otro en la esquina inferior. Usando un desatornillador Phillips, retire los tornillos que sujetan los rieles al gabinete.
- 2 Deslice los rieles de instalación a la profundidad deseada y reinstálelos usando los tornillos que retiró en el Paso 1.



6. Instalando el gabinete en la pared

1. Instale el gabinete en los travesaños de la pared



Advertencia: Nunca intente levantar o instalar sin la ayuda adecuada. No trate de levantar el gabinete solo.



No intentar instalar el gabinete en la pared con el equipo en el gabinete.



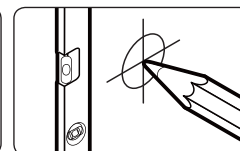
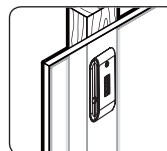
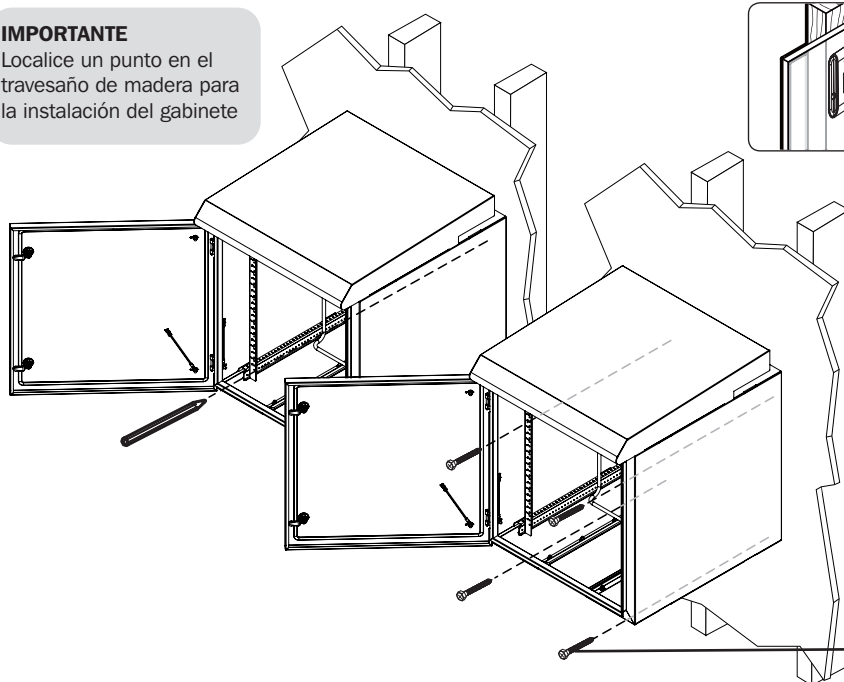
La superficie de apoyo debe ser capaz de soportar con seguridad la carga combinada de todos los accesorios y componentes instalados. Para el peso, tamaño y capacidad de carga del gabinete, vea las especificaciones del producto y otros recursos de soporte en tripplite.com/support.



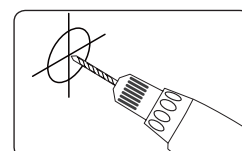
- Los instaladores son responsables de suministrar los accesorios para instalación en la pared. Use un mínimo de cuatro tornillos (no incluidos, los tamaños variarán según el modelo) para fijar el gabinete en su lugar. Asegúrese de usar las arandelas de sujeción incluidas con los tornillos de instalación dentro y fuera de los orificios de instalación del gabinete, con el lado de espuma de la arandela contra el gabinete.
- Cerciórese que los tornillos de instalación estén anclados en el centro de los travesaños. Es muy recomendable usar un detector de travesaños.
- Si no hay travesaños en el lugar de instalación, se le recomienda instalar travesaños en la posición deseada para fijar el gabinete en su lugar. Debido al peso del gabinete, NO utilice taquetes de expansión de plástico en la pared, taquetes roscados en la tablarroca, volquetes roscados en la pared, taquetes de pared hueca tipo manguito (También conocidos como molly bolts) o pernos de palanca.
- Use los medios de soporte adecuados al instalar en bloques de concreto, concreto o travesaños de madera. Es responsabilidad del instalador elegir los accesorios de instalación adecuados (no suministrados). Debido al peso del gabinete, NO utilice taquetes de expansión de plástico en la pared, taquetes roscados en la tablarroca, volquetes roscados en la pared, taquetes de pared hueca tipo manguito (También llamados molly bolts) o pernos de palanca.
- Si coloca el gabinete sobre un receptáculo de telecomunicaciones, retire la placa de pared, luego fije el gabinete a la pared. Una vez asegurado, fije la placa de pared sobre el receptáculo.
- Si no está disponible un receptáculo de telecomunicaciones, una caja de instalación sobre superficie (o conector sobre superficie) y un cable de equipo pueden ser instalados dentro de la unidad.
- Use una caja de instalación sobre superficie con respaldo adhesivo.

IMPORTANTE

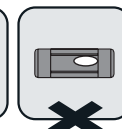
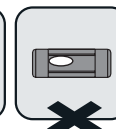
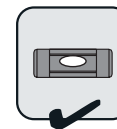
Localice un punto en el travesaño de madera para la instalación del gabinete



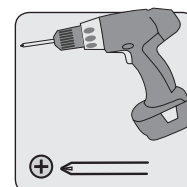
Marque la posición exacta de los orificios de instalación



Perfore los orificios piloto



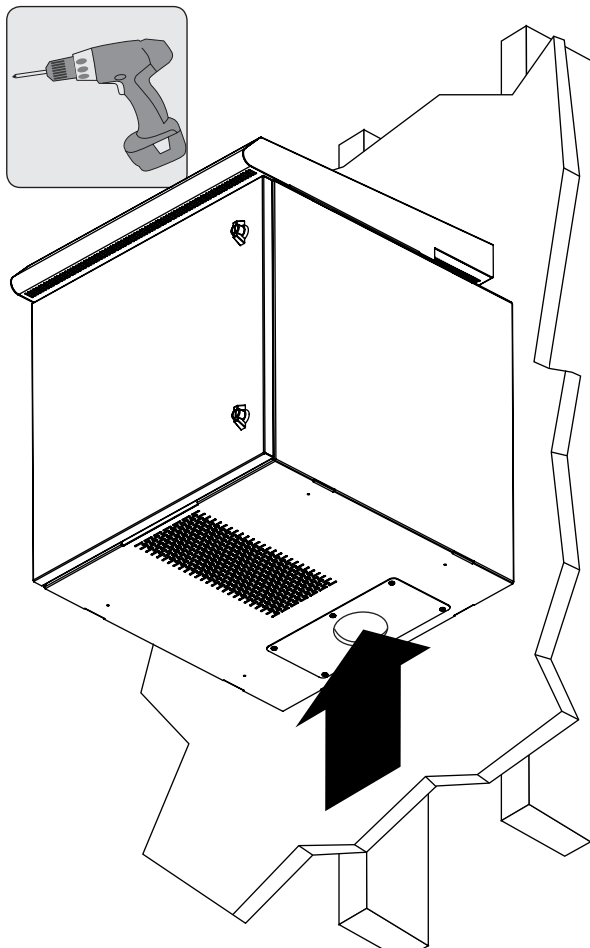
Coloque el gabinete sobre la pared



(No Incluye Accesorios de Instalación)

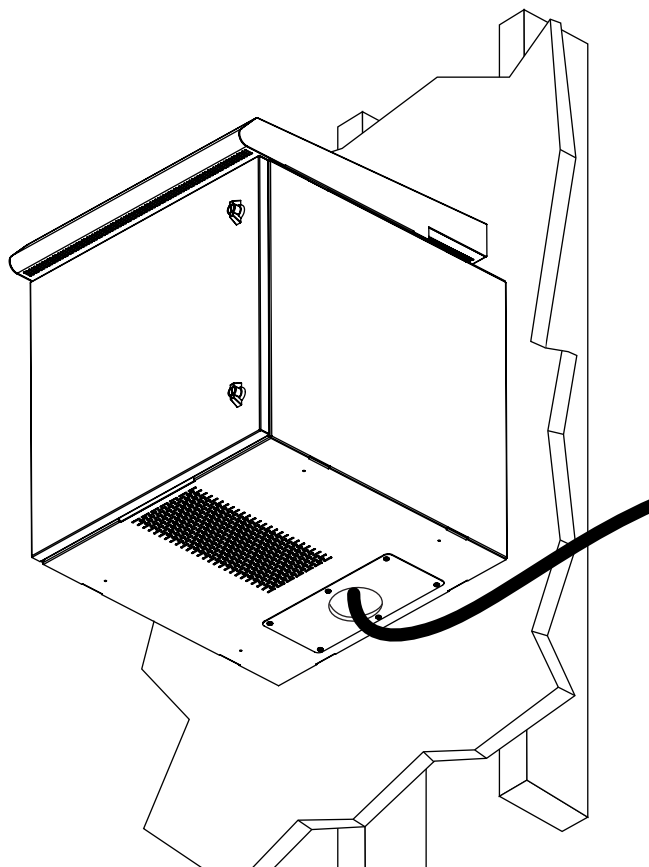
6. Instalando el gabinete en la pared

2. Utilice una Broca y Punzón (Como un Greenlee) para Crear un Recorte para Conducto Inferior



Nota: Esta tapa de conductos permite un tamaño comercial máximo de conductos 2 con orificio de 64 mm [2.5"].

3. Conduzca el Cable de Datos y Alimentación (Si se Requiere) a Través del Recorte para el Conducto

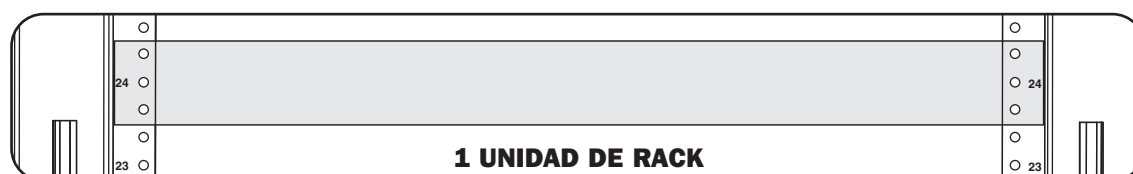


Nota: Para mantener una especificación NEMA, utilice accesorios sellados en los recortes al conectar a conductos. Están disponibles placas accesorias de pasacables con los números de modelo SRGP1KO, SRGP2KO, SRGP3RM y SRGP4PLASTIC (vendidos por separado).

7. Instalación del Equipo

Advertencia: No instale equipos hasta haber estabilizado el gabinete. Instale primero los equipos más pesados e instálelos desde la parte inferior del gabinete. Instale los equipos a partir de la parte inferior del gabinete y proceda hacia la parte superior del gabinete—nunca al revés. Si utiliza guías de equipos deslizantes, tenga cuidado al extender los rieles. No extienda más de un juego de rieles de equipos deslizantes a la vez. Evite extender los rieles de equipos deslizantes cerca de la parte superior del gabinete.

Nota: Los orificios roscados en medio de cada unidad de rack están numerados y también incluyen una pequeña ranura para facilitar la identificación. Una sola unidad de rack incluye el espacio ocupado por el orificio numerado y los orificios directamente arriba y abajo.



8. Especificaciones

8.1 Dimensiones de la Unidad

MODELO	SRN3RG6U	SRN3RG6UDP	SRN3RG12U
ALTURA	439 mm [17.29"]	444 mm [17.49"]	713 mm [28.07"]
ANCHO	610 mm [24.00"]	610 mm [24.00"]	610 mm [24.00"]
PROFUNDIDAD	526 mm [20.69"]	640 mm [25.20"]	691 mm [27.19"]
PESO	33.4 kg [73.53 lb]	38.8 kg [85.56 lb]	43.7 kg [96.28 lb]

8.2 Dimensiones del Paquete

MODELO	SRN3RG6U	SRN3RG6UDP	SRN3RG12U
ALTURA	570 mm [23.50"]	570 mm [23.50"]	864 mm [34.00"]
ANCHO	660 mm [26.00"]	711 mm [28.00"]	711 mm [28.00"]
PROFUNDIDAD	711 mm [28.00"]	737 mm [29.00"]	826 mm [32.50"]
PESO	56.7 kg [125.00 lb]	61.2 kg [135.00 lb]	79.4 kg [175.00 lb]

9. Almacenamiento y Servicio

Almacenamiento

El gabinete debe guardarse en un entorno interior controlado lejos de humedad excesiva, temperaturas extremas, líquidos y gases inflamables, contaminantes conductores, polvo o luz solar directa. De ser posible, almacene el gabinete en su contenedor de embarque original.

Servicio

Su producto Tripp Lite está cubierto por la garantía descrita en este manual. Tripp Lite también ofrece una gran variedad de Programas de Garantía Extendida y Servicio En Sitio. Para más información sobre el servicio, visite tripplite.com/support. Antes de devolver su producto para servicio, siga estos pasos:

1. Revise los procedimientos de instalación y operación en este manual para asegurarse de que el problema de servicio no es resultado de no haber leído bien las instrucciones.
2. Si el problema persiste, no se ponga en contacto con el distribuidor ni le devuelva el producto. En su lugar, visite tripplite.com/support.
3. Si el problema requiere de servicio, visite tripplite.com/support y haga clic en el enlace Devolución de Productos. Desde aquí usted puede solicitar un número de Autorización de Devolución de Mercancía [RMA] que se requiere para el servicio. Esta sencilla forma en línea solicitará los números de modelo y serie de su unidad junto con otra información general del comprador. El número de RMA junto con las instrucciones de embarque le serán enviadas por correo electrónico. Cualquier daño (directo, indirecto, especial o consecuente) al producto incurrido durante el embarque a Tripp Lite o un Centro de Servicio Autorizado de Tripp Lite no está cubierto bajo la garantía. Los productos enviados a Tripp Lite o un Centro de Servicio Autorizado de Tripp Lite deben tener los cargos del transporte prepagados. Marque el número de RMA en el exterior del empaque. Si el producto está dentro del período de garantía, adjunte una copia de su recibo de venta. Regrese el producto para servicio usando un transportista asegurado a la dirección que se le proporcionó cuando solicitó la RMA.

10. Garantía

Garantía Limitada por 5 Años

El vendedor garantiza este producto, si se usa de acuerdo con todas las instrucciones aplicables, de que está libre de defectos en cuanto a materiales y mano de obra por un período de 5 años a partir de la fecha de compra inicial. Si el producto resultara defectuoso en cuanto a materiales o mano de obra dentro de ese período, el vendedor reparará o reemplazará el producto a su entera discreción.

ESTA GARANTÍA NO SE APLICA AL DESGASTE NORMAL O A LOS DAÑOS QUE RESULTEN DE ACCIDENTES, USO INCORRECTO, USO INDEBIDO O NEGLIGENCIA. EL VENDEDOR NO OTORGA GARANTÍAS EXPRESAS DISTINTAS A LA ESTIPULADA EN EL PRESENTE. SALVO EN LA MEDIDA EN QUE LO PROHÍBAN LAS LEYES APLICABLES, TODAS LAS GARANTÍAS IMPLÍCITAS, INCLUIDAS TODAS LAS GARANTÍAS DE COMERCIALIZACIÓN O IDONEIDAD, ESTÁN LIMITADAS EN CUANTO A DURACIÓN AL PERÍODO DE GARANTÍA ESTABLECIDO; ASIMISMO, ESTA GARANTÍA EXCLUYE EXPRESAMENTE TODOS LOS DAÑOS INCIDENTALES E INDIRECTOS. (Algunos estados no permiten limitaciones en cuanto a la duración de una garantía y algunos estados no permiten la exclusión o limitación de daños incidentales o indirectos, de modo que es posible que las limitaciones anteriores no se apliquen a usted. Esta garantía le otorga derechos legales específicos y usted puede tener otros derechos que pueden variar de una jurisdicción a otra).

ADVERTENCIA: antes de usarlo, cada usuario debe tener cuidado al determinar si este dispositivo es adecuado o seguro para el uso previsto. Ya que las aplicaciones individuales están sujetas a gran variación, el fabricante no garantiza la adecuación de estos dispositivos para alguna aplicación específica.

Tripp Lite tiene una política de mejora continua. Las especificaciones del producto están sujetas a cambios sin previo aviso. Las fotografías e ilustraciones pueden diferir ligeramente de los productos reales.



Manuel de l'utilisateur

Armoire statique pour montage mural NEMA-3R SmartRack®

Usage général, contrôle industriel

Modèles : SRN3RG6U, SRN3RG6UDP, SRN3RG12U
(numéro de série : AG-0608)

Table des matières

1. Consignes de sécurité importantes	22	6. Montage mural du boîtier	27
2. Vue d'ensemble	22	7. Installation de l'équipement	29
3. Identification des caractéristiques	23	8. Caractéristiques techniques	29
4. Installation du boîtier	24	8.1 Dimensions de l'appareil	29
4.1 Préparation	24	8.2 Dimensions de l'emballage	29
4.2 Déballage	24	9. Entreposage et entretien	30
4.3 Connexion à la terre	25	10. Garantie	30
5. Configuration du boîtier	25	English	1
5.1 Verrous de porte	25	Español	11
5.2 Accès aux câbles et gestion	25		
5.3 Rails de montage	26		
5.4 Réglage de la profondeur de montage des rails	26		



1. Consignes de sécurité importantes

CONSERVER CES INSTRUCTIONS

Ce manuel contient des instructions et des avertissements qui doivent être suivis lors de l'installation et du fonctionnement du produit décrit dans ce manuel. Le non-respect peut annuler la garantie et causer des dommages à la propriété ou des blessures.

- Le boîtier est extrêmement lourd. Faire preuve de vigilance lors de la manutention du boîtier. Ne pas tenter de le déballer, de le déplacer ou de l'installer sans assistance. Utiliser un dispositif mécanique comme un chariot élévateur à fourche ou un transpalette manuel pour déplacer le boîtier dans le conteneur d'expédition.
- Ne placer aucun objet sur le boîtier, en particulier des récipients contenant un liquide, et ne pas empiler d'objets sur les boîtiers.
- Inspecter le conteneur d'expédition et le boîtier pour s'assurer qu'ils n'ont subi aucun dommage durant le transport. Ne pas utiliser le boîtier s'il est endommagé.
- Laisser le boîtier dans le conteneur d'expédition jusqu'à ce qu'il soit déplacé aussi près que possible de l'emplacement d'installation final.
- Laisser suffisamment d'espace à l'avant, à l'arrière, sur le dessus et le dessous du boîtier pour assurer une ventilation adéquate. Ne pas bloquer, couvrir ou insérer des objets dans les ouvertures de ventilation externes du boîtier.
- Pour un montage mural permanent, s'assurer de fixer solidement le boîtier à la structure du bâtiment avant l'utilisation.
- Faire preuve de vigilance au moment de couper le matériel d'emballage. Le boîtier pourrait être égratigné, causant des dommages qui ne sont pas couverts par la garantie.
- Conserver tout le matériel d'emballage en vue d'une utilisation ultérieure. Remballer et expédier le boîtier sans le matériel d'emballage d'origine pourrait causer des dommages au produit et annuler la garantie.
- Il n'est pas recommandé d'utiliser cet équipement pour des appareils de survie où une défaillance de cet équipement peut, selon toute vraisemblance, entraîner la défaillance de l'appareil de maintien de la vie ou affecter de façon majeure sa sécurité ou son efficacité.
- Ce boîtier prend en charge un conduit de taille 2 maximum avec un trou de 2,5 po.
- Utiliser uniquement un conduit/des raccords d'une capacité nominale NEMA-3R (ou supérieure) pour maintenir l'indice de protection environnementale du boîtier.

2. Vue d'ensemble

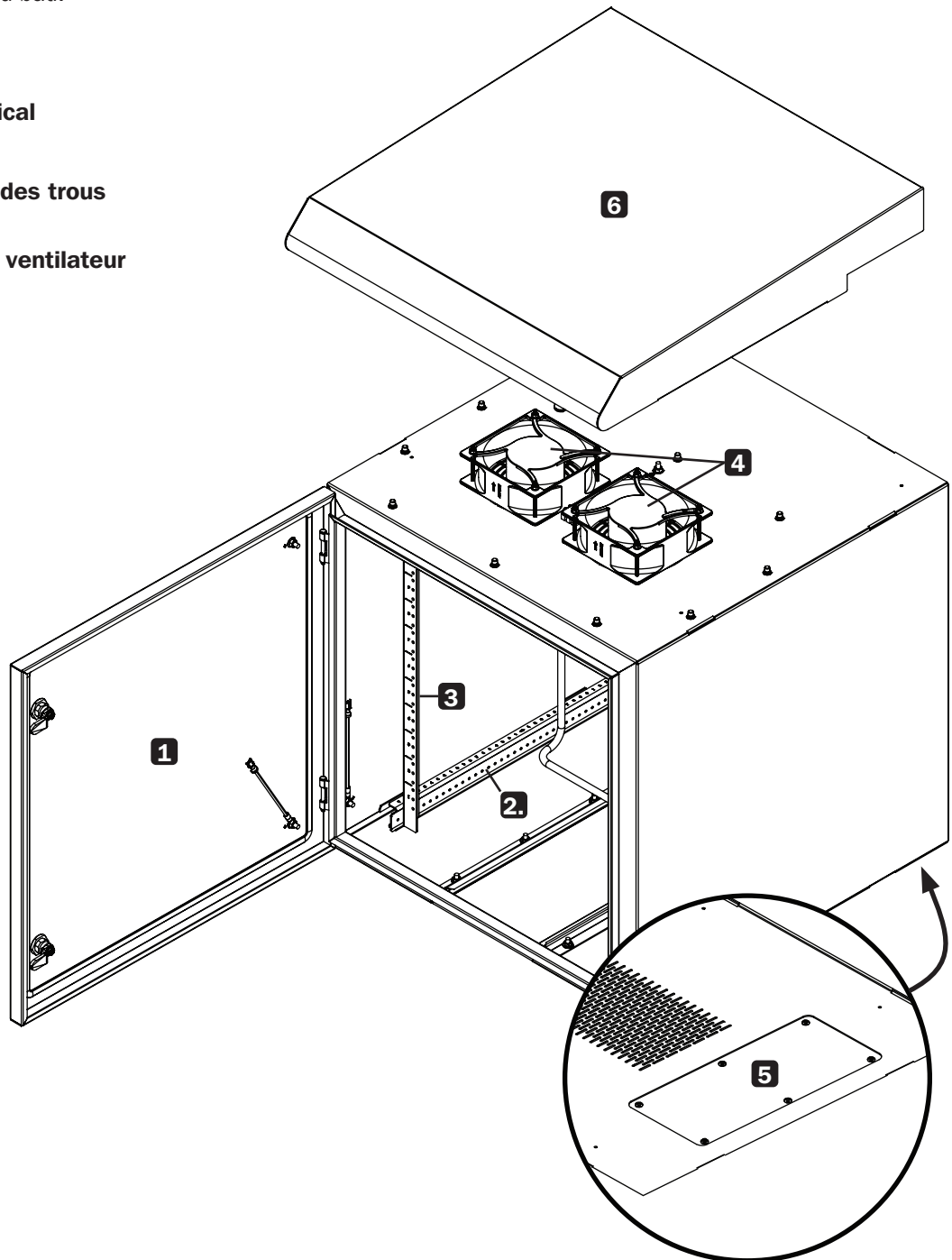
Les boîtiers muraux NEMA 3R sont compatibles avec tout équipement pour montage en bâti standard de 48,26 cm (19 po), peu importe le fournisseur, et sont expédiés complètement assemblés pour un déploiement simple et rapide. Ils offrent une capacité nominale NEMA 3R pour offrir une protection contre la poussière tombante, la pluie, le grésil, la neige, les poussières portées par le vent, les éclaboussures d'eau, les jets d'eau dirigés et la formation externe de glace. Ils sont équipés d'armoires polyvalentes robustes de différentes hauteurs. Tous les modèles sont dotés d'une conception à charnières qui permet l'ouverture de l'armoire en s'écartant du support mural pour un accès facile à l'équipement.

Les boîtiers muraux NEMA 3R offrent des profondeurs de montage variables, ce qui les rend idéaux pour les serveurs. Les armoires incluent une porte avant amovible verrouillable.

3. Identification des caractéristiques

Le modèle SRN3RG12U est illustré. Les autres modèles comportent des fonctionnalités semblables, la seule différence étant la hauteur et la profondeur du bâti.

- 1** Porte avant
- 2** Rails horizontaux
- 3** Rails de montage vertical
- 4** Ventilateurs internes
- 5** Couvertres amovibles des trous d'accès aux câbles
- 6** Panneau qui couvre le ventilateur



4. Installation du boîtier



Mise en garde! Lire toutes les instructions et les avertissements avant de procéder à l'installation!



Avertissement : Les boîtiers pour bâti peuvent être extrêmement lourds. Ne pas tenter de déballer, déplacer ou installer le boîtier sans aide. Faire preuve de vigilance lors de la manutention du boîtier et s'assurer de respecter toutes les instructions concernant la manutention et l'installation. Ne pas tenter d'installer l'équipement sans d'abord stabiliser le boîtier.

4.1 Préparation

Le boîtier doit être installé dans un endroit solidement construit capable de supporter le poids du boîtier, de tout l'équipement qui sera installé dans le boîtier et de tout autre boîtier ou équipement qui sera installé à proximité. Avant de déballer l'appareil, il est recommandé de transporter le conteneur d'expédition à proximité de l'emplacement d'installation finale afin de minimiser la distance sur laquelle l'appareil devra être déplacé une fois que le conteneur d'expédition de protection aura été enlevé. Si vous prévoyez entreposer le boîtier pendant une période prolongée avant l'installation, suivre les instructions de la section **Entreposage et entretien**.

Plusieurs outils sont requis :

- Un niveau
- Tournevis Phillips
- Outils appropriés pour le montage mural

La quincaillerie suivante est également nécessaire :

- La quincaillerie appropriée pour le montage mural (non incluse)

4.2 Déballage



Le boîtier devrait être déballé par au moins deux personnes.



- 1** Déplacer la palette d'expédition sur une surface ferme et au niveau.
- 2** Ouvrir la boîte et retirer les quatre cornières de protection en mousse. Conserver tout le matériel d'emballage en vue d'une utilisation ultérieure à moins d'avoir la certitude qu'il ne sera plus requis. Le matériel d'emballage est recyclable.
- 3** Avec une personne de chaque côté, soulever soigneusement le boîtier hors de la boîte et le placer sur une surface ferme au niveau.
- 4** Vérifier que le boîtier n'est pas endommagé et qu'il n'y a pas de pièces desserrées. Confirmer qu'il ne manque aucune pièce. Si quoi que ce soit manque ou est endommagé, contacter Tripp Lite pour obtenir de l'aide. Ne pas tenter d'utiliser le boîtier s'il a été endommagé.



Ne jamais prolonger plus d'un composant du boîtier à la fois.



Avertissement : Ne jamais tenter de soulever ou d'installer le boîtier sans aide adéquate. Ne pas tenter de soulever le boîtier sans aide.

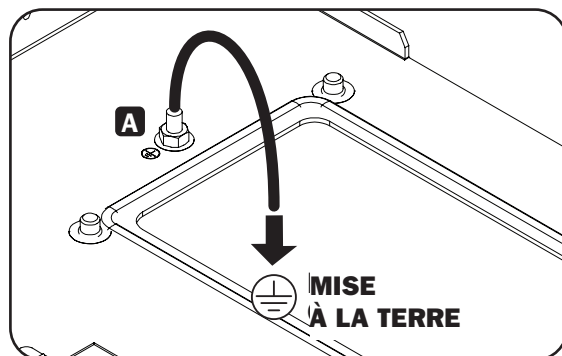


4. Installation du boîtier

4.3 Connexion à la terre

Toutes les parties du boîtier sont mises à la masse sur le cadre du boîtier. Utiliser le point de mise à la masse fileté arrière du boîtier **A** et un écrou hexagonal M6 et une rondelle (inclus) pour connecter le cadre du boîtier directement à la connexion de mise à la masse de l'établissement avec un fil 8 AWG (3,264 mm). Acheminer le fil de terre sous le cadre du boîtier pour s'assurer de ne pas entraver le fonctionnement de la porte.

Avertissement : Fixer séparément chaque boîtier à une mise à la masse. Ne pas utiliser le boîtier sans une connexion de mise à la masse.

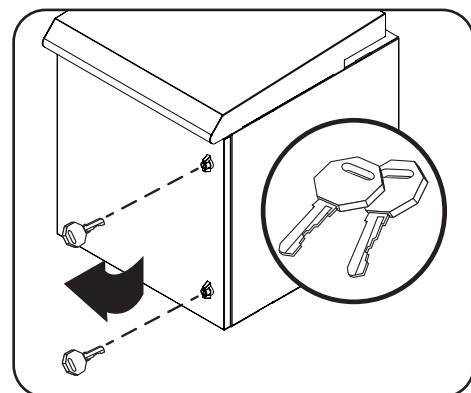


5. Configuration du boîtier

Avant l'installation, s'assurer de prévoir l'emplacement et la disposition des composants à l'intérieur du boîtier. S'assurer que tous les rails de montage sont inversés ou réglés pour la profondeur en fonction de la configuration de l'équipement.

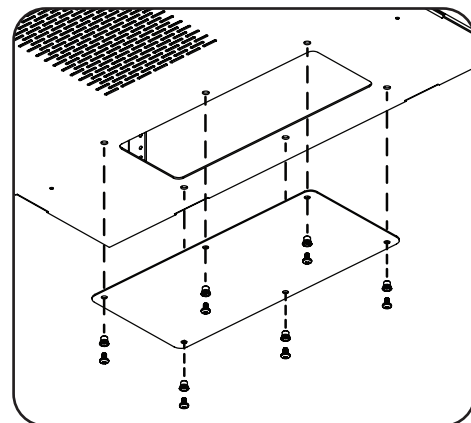
5.1 Verrous de porte

La porte avant est dotée de verrous qui peuvent être ouverts avec les clés incluses.



5.2 Accès aux câbles et gestion

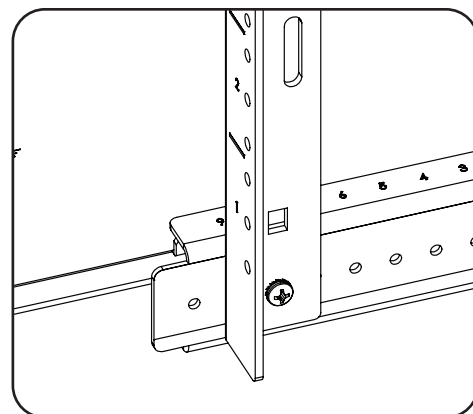
La partie inférieure du boîtier comporte une ouverture pour l'accès aux câbles et leur gestion. L'ouverture peut être fermée en vissant le panneau d'accès amovible pour les câbles.



5. Configuration du boîtier

5.3 Rails de montage

Le boîtier est fourni avec des rails de montage qui sont pourvus de trous carrés pour le montage de l'équipement du bâti. Pour installer l'équipement, utiliser la quincaillerie incluse. **Avertissement : S'assurer que l'enceinte est montée au mur ou dans sa position finale au plancher de façon sécuritaire avant de monter l'équipement à l'intérieur. S'assurer également de la justesse des réglages sur les rails avant de monter l'équipement. (Voir ci-dessous pour le réglage de la profondeur de montage des rails.)**

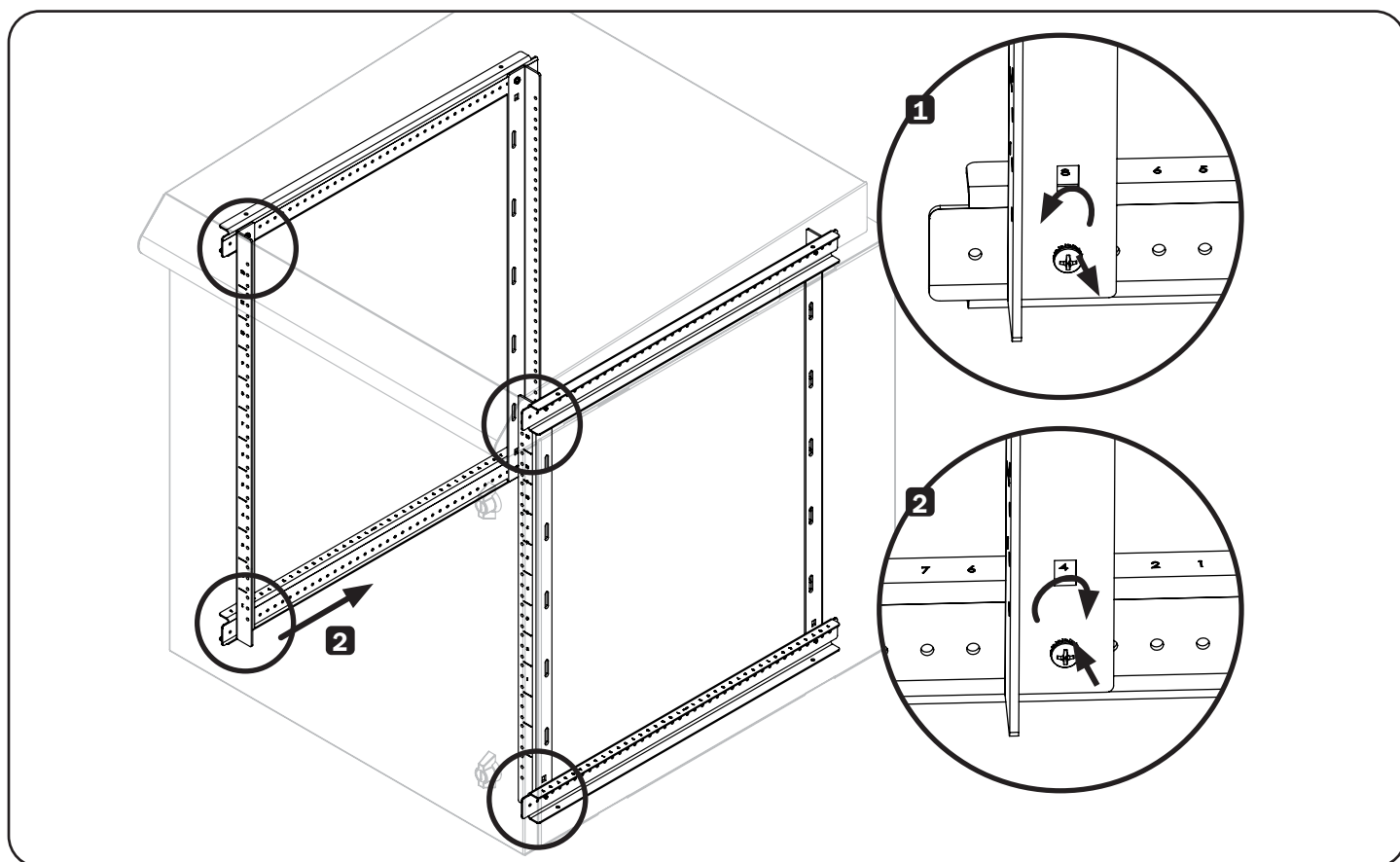


5.4 Réglage de la profondeur de montage des rails

Avertissement : Ne pas tenter d'ajuster les rails lorsque l'équipement est installé dans le boîtier. Ne pas tenter d'utiliser les rails sans avoir posé les vis (2 par rail).

Selon le modèle, deux ou quatre rails de montage seront préinstallés dans l'armoire. La profondeur de montage pré réglée varie en fonction du modèle. Ne pas régler les supports de montage à moins que l'équipement ne nécessite une profondeur de montage différente. Les ensembles de rails avant et arrière peuvent être ajustés de façon indépendante par incréments de 12,7 mm (1/2 po).

- 1 Chaque rail de montage de l'équipement est connecté au boîtier au moyen de 2 vis : une dans le coin supérieur et l'autre dans le coin inférieur. Au moyen d'un tournevis Phillips, enlever les vis qui retiennent les rails au boîtier.
- 2 Glisser les rails de montage à la profondeur désirée, puis les rattacher en utilisant les vis retirées à l'étape 1.



6. Montage mural du boîtier

1. Montage du boîtier sur des poteaux muraux



Avertissement : Ne jamais tenter de soulever ou d'installer le boîtier sans aide adéquate. Ne pas tenter de soulever le boîtier sans aide.



Ne pas tenter de monter le boîtier au mur avec l'équipement dans le boîtier.



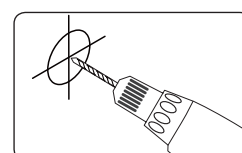
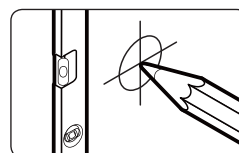
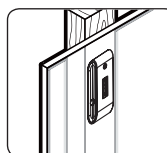
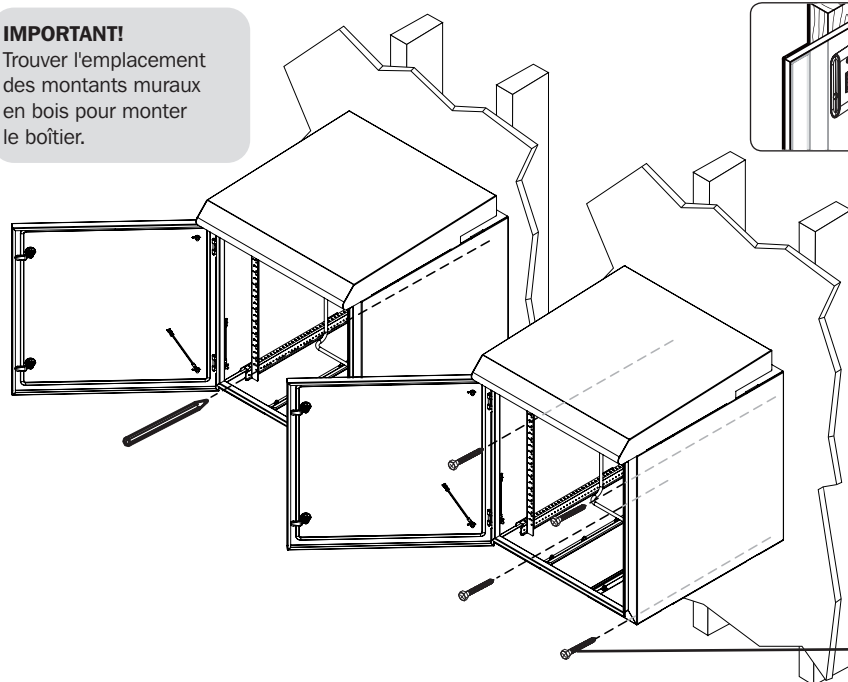
La surface d'appui doit pouvoir supporter sans risque la charge combinée de l'équipement et de tout le matériel et composants attachés. Pour le poids, la taille et la capacité de charge actuels du boîtier, consulter les caractéristiques techniques du produit et les autres ressources de soutien en visitant triplite.com/support.



- Les installateurs sont responsables de fournir la quincaillerie pour le montage au mur. Utiliser au moins quatre vis (non incluses, les tailles varient selon le modèle) pour fixer le boîtier en place. S'assurer d'utiliser les rondelles de protection avec les vis de montage à l'intérieur et à l'extérieur des trous de montage de l'armoire avec le côté en mousse de la rondelle contre l'armoire.
- S'assurer que les vis de montage sont ancrées au centre des montants. Il est fortement recommandé d'utiliser un localisateur de montants.
- Si il n'y a pas de montants à l'emplacement d'installation, il est recommandé d'installer des montants à l'endroit désiré pour retenir le boîtier en place. NE PAS utiliser d'ancrages muraux à expansion en plastique, d'ancrages pour cloisons sèches filetés, de commutateurs pour cloisons sèches filetés, des ancrages muraux creux de type manchon (aussi appelés boulons à gaine d'expansion) ou des boulons à ailettes à ressort en raison du poids du boîtier.
- Utiliser des moyens de montage appropriés pour une installation sur des blocs de béton de mâchefer, du béton ou des colombages en bois. Il incombe à l'installateur de choisir une quincaillerie de montage appropriée (non fournie). Ne PAS utiliser d'ancrages muraux à expansion en plastique, d'ancrages pour cloisons sèches filetés, de commutateurs pour cloisons sèches filetés, des ancrages muraux creux de type manchon (aussi appelés boulons à gaine d'expansion) ou des boulons à ailettes à ressort en raison du poids du boîtier.
- Si le boîtier est placé par-dessus une prise de télécommunication, retirer la plaque murale, puis fixer le boîtier au mur. Une fois le boîtier fixé au mur, remettre la plaque murale sur la prise.
- Si aucune prise de télécommunication n'est disponible, une boîte de montage en surface (ou une prise biscuit) et le cordon de l'équipement peuvent être montés à l'intérieur de l'appareil.
- Utiliser une boîte de montage en surface à revers adhésif.

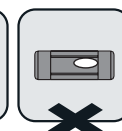
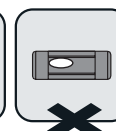
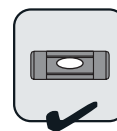
IMPORTANT!

Trouver l'emplacement des montants muraux en bois pour monter le boîtier.

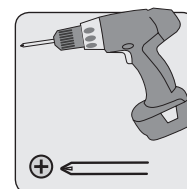


Marquer l'emplacement exact des trous de montage.

Percer des avant-trous.



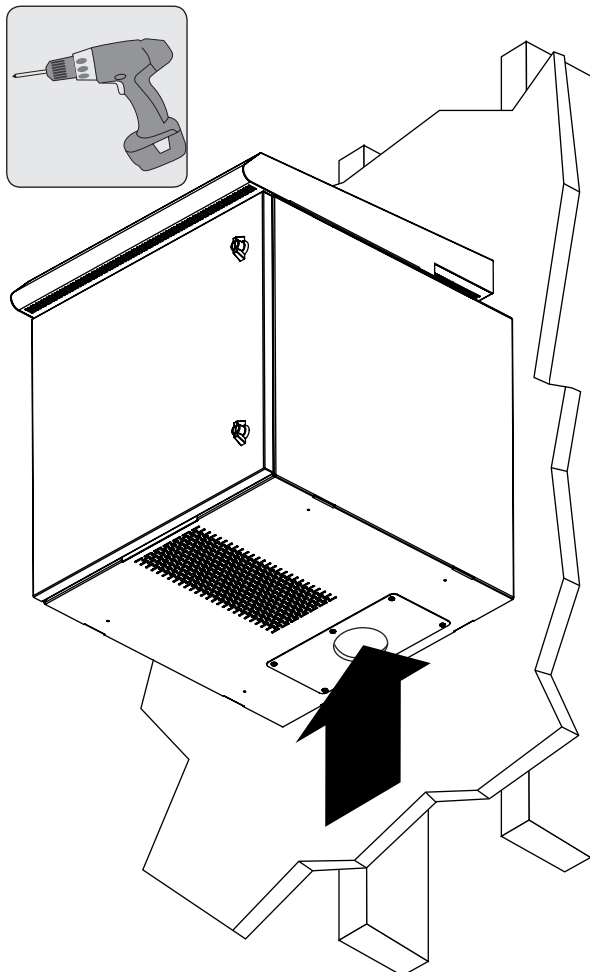
Fixer le boîtier au mur.



(quincaillerie de montage non incluse)

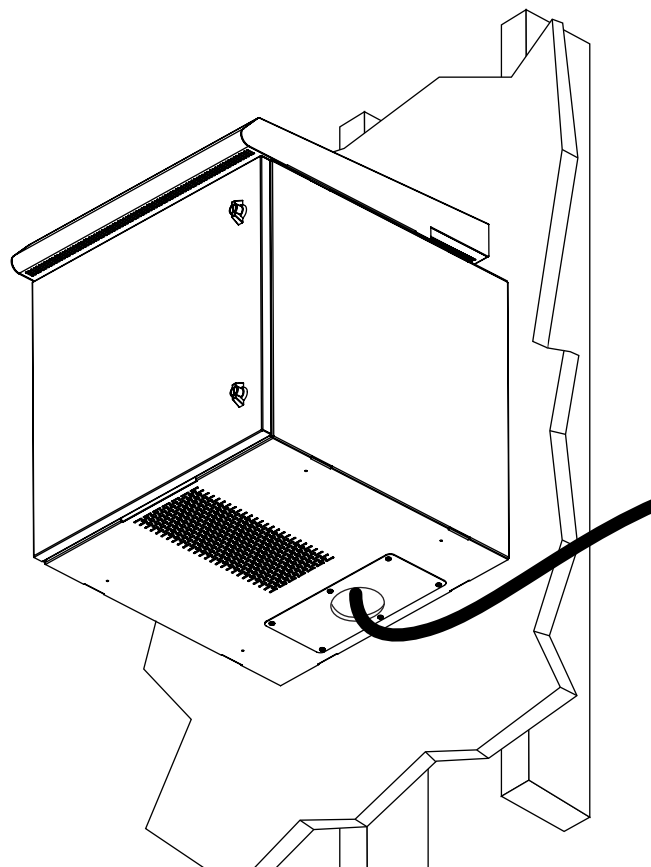
6. Montage mural du boîtier

2. Utiliser une perceuse et un outil de perforation (comme un Greenlee) pour créer une découpe de conduite inférieure.



Remarque : Ce couvercle de conduit prend en charge un conduit de taille 2 maximum avec un trou de 2,5 po.

3. Acheminer le câble d'alimentation et de données (le cas échéant) dans la découpe de la conduite.

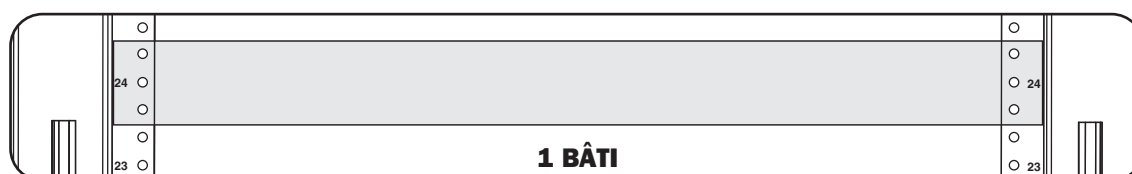


Remarque : Pour garder une capacité nominale NEMA, utiliser des raccords étanches dans les découpes au moment de connecter à la conduite. Les plaques passe-câbles pour accessoires avec les numéros de modèle SRGP1KO, SRGP2KO, SRGP3RM et SRGP4PLASTIC sont offertes (vendues séparément).

7. Installation de l'équipement

Avertissement : Ne pas installer l'équipement avant d'avoir stabilisé le boîtier. Installer d'abord l'équipement le plus lourd et l'installer dans la partie inférieure du boîtier. Installer l'équipement à partir de la partie inférieure du boîtier en continuant vers le haut du boîtier, jamais le contraire. Si des rails coulissants sont utilisés, faire preuve de prudence au moment de prolonger les rails. Ne pas prolonger les rails de plus d'un ensemble de rails coulissants à la fois. Éviter de prolonger les rails coulissants à proximité de la partie supérieure du boîtier.

Remarque : Les trous taraudés au milieu de chaque bâti sont numérotés et incluent également une petite encoche pour aider à l'identification. Un seul bâti inclut l'espace occupé par le trou numéroté et les trous directement au-dessus et en dessous.



8. Caractéristiques techniques

8.1 Dimensions de l'appareil

MODÈLE	SRN3RG6U	SRN3RG6UDP	SRN3RG12U
HAUTEUR	439 mm (17,29 po)	444 mm (17,49 po)	713 mm (28,07 po)
LARGEUR	610 mm (24,00 po)	610 mm (24,00 po)	610 mm (24,00 po)
PROFONDEUR	526 mm (20,69 po)	640 mm (25,20 po)	691 mm (27,19 po)
POIDS	33,4 kg (73,53 lb)	38,8 kg (85,56 lb)	43,7 kg (96,28 lb)

8.2 Dimensions de l'emballage

MODÈLE	SRN3RG6U	SRN3RG6UDP	SRN3RG12U
HAUTEUR	570 mm (23,50 po)	570 mm (23,50 po)	864 mm (34 po)
LARGEUR	660 mm (26 po)	711 mm (28 po)	711 mm (28 po)
PROFONDEUR	711 mm (28 po)	737 mm (29 po)	826 mm (32,50 po)
POIDS	56,7 kg (125 lb)	61,2 kg (135 lb)	79,4 kg (175 lb)

9. Entreposage et entretien

Entreposage

Le boîtier doit être entreposé dans un environnement intérieur contrôlé, à l'écart de l'humidité, des températures extrêmes, des liquides et des gaz inflammables, des contaminants conducteurs, de la poussière et de la lumière directe du soleil. Entreposer le boîtier dans son conteneur d'expédition original si possible.

Entretien

Le produit Tripp Lite est couvert par la garantie décrite dans ce manuel. Une variété de programmes de garantie prolongée et de service d'entretien sont également offerts par Tripp Lite. Pour obtenir plus de renseignements sur le service, visiter tripplite.com/support. Avant de retourner le produit pour la réparation, procéder comme suit :

1. Passer en revue les procédures d'installation et de fonctionnement dans ce manuel afin de vous assurer que le problème ne provient pas d'une mauvaise interprétation des instructions.
2. Si le problème persiste, ne pas communiquer avec le fournisseur et ne pas lui renvoyer le produit. Visiter plutôt tripplite.com/support.
3. Si le problème nécessite une réparation, visiter tripplite.com/support et cliquer sur le lien de retours de produit. À partir de ce point, il est possible de demander une autorisation de retour de matériel (RMA) qui est requise pour le service. Ce simple formulaire en ligne demandera le modèle de l'appareil et le numéro de série, ainsi que d'autres informations générales. Le numéro RMA ainsi que des instructions d'expédition seront envoyés par courriel. Les dommages (directs, indirects, particuliers ou consécutifs) encourus par le produit lors du transport à Tripp Lite ou à un service autorisé Tripp Lite ne sont pas couverts par la garantie. Les frais liés au transport des produits expédiés à Tripp Lite ou à un centre de service autorisé Tripp Lite doivent être entièrement payés d'avance. Inscrire le numéro de RMA à l'extérieur de l'emballage. Si le produit est dans sa période de garantie, joindre une copie du reçu de caisse. Retourner le produit pour réparation par un transporteur assuré à l'adresse fournie lors de la demande de « RMA ».

10. Garantie

Garantie limitée de 5 ans

Le vendeur garantit ce produit, s'il est utilisé conformément à toutes les instructions applicables, est exempt de tous défauts de matériaux et de fabrication pour une période de 5 ans à partir de la date d'achat initiale. Si le produit s'avère défectueux en raison d'un vice de matériaux ou de fabrication au cours de cette période, le vendeur s'engage à réparer ou remplacer le produit, à sa seule discrétion.

CETTE GARANTIE NE S'APPLIQUE PAS À L'USURE NORMALE OU AUX DOMMAGES RÉSULTANT D'UNE MAUVAISE UTILISATION, D'UN ABUS OU D'UNE NÉGLIGENCE. LE VENDEUR N'ACCORDE AUCUNE GARANTIE EXPRESSE AUTRE QUE LA GARANTIE EXPRESSÉMENT DÉCRITE DANS LE PRÉSENT DOCUMENT. SAUF DANS LA MESURE OÙ CELA EST INTERDIT PAR LA LOI EN VIGUEUR, TOUTE GARANTIE IMPLICITE, Y COMPRIS TOUTES LES GARANTIES DE QUALITÉ MARCHANDE OU D'ADAPTATION, SONT LIMITÉES À LA PÉRIODE DE GARANTIE CI-DESSUS ET CETTE GARANTIE EXCLUT EXPRESSÉMENT TOUS DOMMAGES DIRECTS ET INDIRECTS. (Certains États ne permettent pas de limitations sur la durée d'une garantie implicite, et certains États ne permettent pas l'exclusion ou la limitation des dommages fortuits ou consécutifs, de sorte que les limitations ou exclusions susmentionnées peuvent ne pas s'appliquer à vous. Cette garantie vous accorde des droits légaux spécifiques, et vous pouvez avoir d'autres droits qui varient d'une compétence à l'autre.)

AVERTISSEMENT : L'utilisateur individuel doit prendre soin de déterminer avant l'utilisation si cet appareil est approprié, adéquat et sûr pour l'usage prévu. Puisque les utilisations individuelles sont sujettes à des variations importantes, le fabricant ne fait aucune déclaration ou garantie quant à l'aptitude ou l'adaptation de ces dispositifs pour une application spécifique.

La politique de Tripp Lite en est une d'amélioration continue. Les caractéristiques techniques sont modifiables sans préavis. Les produits réels peuvent différer légèrement des photos et des illustrations.



1111 W. 35th Street, Chicago, IL 60609 USA • tripplite.com/support