

AXIS P14 and AXIS Q19 Camera Series

AXIS P1455-LE Network Camera

AXIS P1455-LE 29 mm Network Camera

AXIS P1467-LE Bullet Camera

AXIS P1468-LE Bullet Camera

AXIS Q1951-E Thermal Camera

AXIS Q1952-E Thermal Camera

AXIS Q1961-TE Thermal Camera

Repainting Instructions

AXIS P14 and AXIS Q19 Camera Series

Impact on warranty

Impact on warranty

This product is approved for repaint by Axis, provided that you follow the instructions in this document and at axis.com/warranty-implication-when-repainting.

Risks with repainting

There are several risks when disassembling or assembling an Axis product. There is always a certain yield loss during assembly. Training of operators and the use of correct tools mediates some of the problems but they can never be fully avoided. Some of the risks include:

ESD Damage – Always handle the product in an ESD safe environment. Even if precautions are taken there is always a risk of ESD damage. The damage can remain undetected and cause problems during the lifetime of the equipment.

Dust contamination – Opening a camera may expose the lens and sensor to dust or paint. Dust will affect the optical performance. Lenses need to be disassembled in a dust-free environment, preferably a cleanroom.

Paint overspray – Masking the different components of the equipment is critical. Failure to mask sensitive areas can cause problems with assembling the equipment. Any areas that are not painted at factory or have a different surface treatment than the rest of the parts (threads, ground and electrical contact surfaces) must also be masked to ensure function.

AXIS P14 and AXIS Q19 Camera Series

Repaint the product

Repaint the product

Preparations

- If applicable, disassemble the device according to the instructions in this document.
- Clean all parts that will be repainted thoroughly to remove grease, dust, or oil.
- To ensure reassembly and functionality of the product, mask any openings (for example for screws, LED indicators, or microphones) before you paint.
- To avoid unwanted reflections, mask the inside of the weathershield before you paint.

Pretreatment of parts

Depending on the part material and type of paint applied at factory, different pretreatment should be done for the new paint to adhere as well as possible. Clean the parts properly to remove oil, grease and dust.

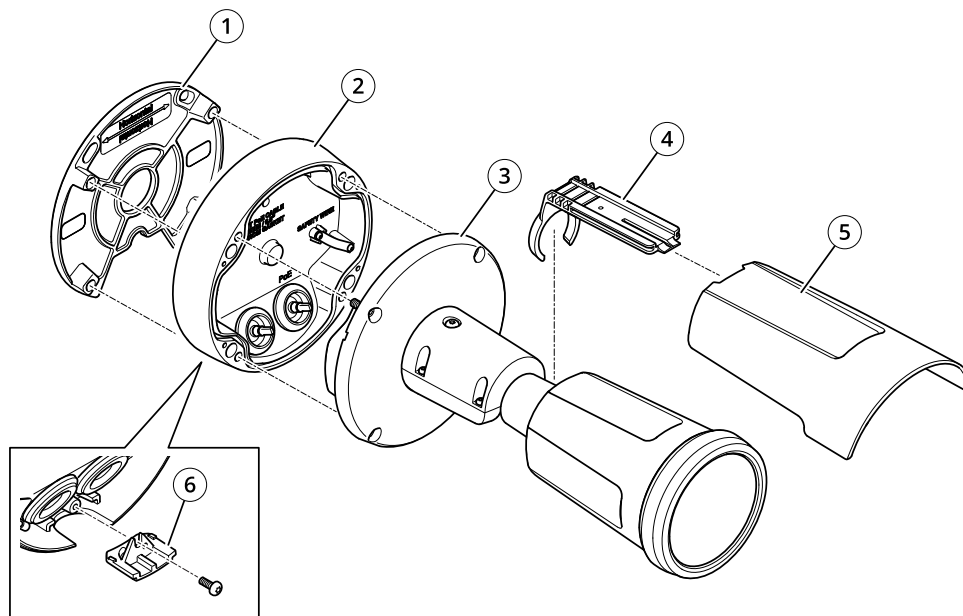
Powder coated parts – Use a primer. Alternatively, remove the original powder coating down to the base material, using fine sandpaper, and clean the parts before painting.

Anodised and chromated parts – Use a primer.

Uncoated stainless steel – No special pretreatment is needed, but make sure that the surface is clean before painting.

Plastic – Use a primer.

Disassembly

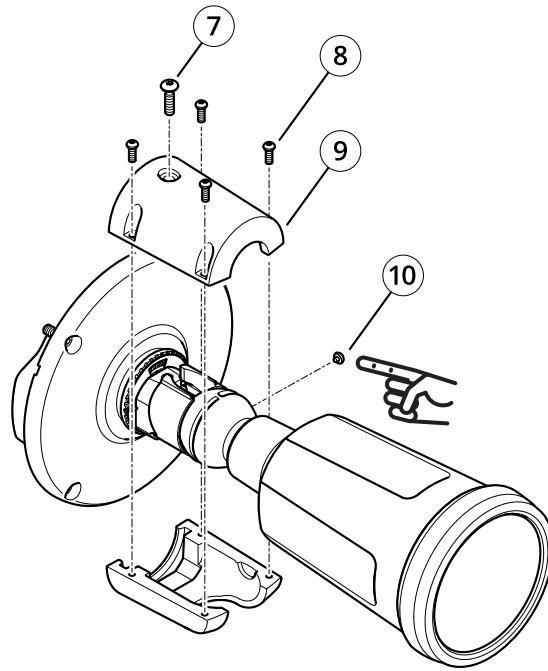


- 1 Back plate
- 2 Bottom base cover
- 3 Camera unit
- 4 Holder
- 5 Weathershield
- 6 Lid

AXIS P14 and AXIS Q19 Camera Series

Repaint the product

1. Remove the bottom base cover.
2. Remove the lid from the bottom base cover.
3. Remove the weathershield.
4. Remove the holder from the weathershield.



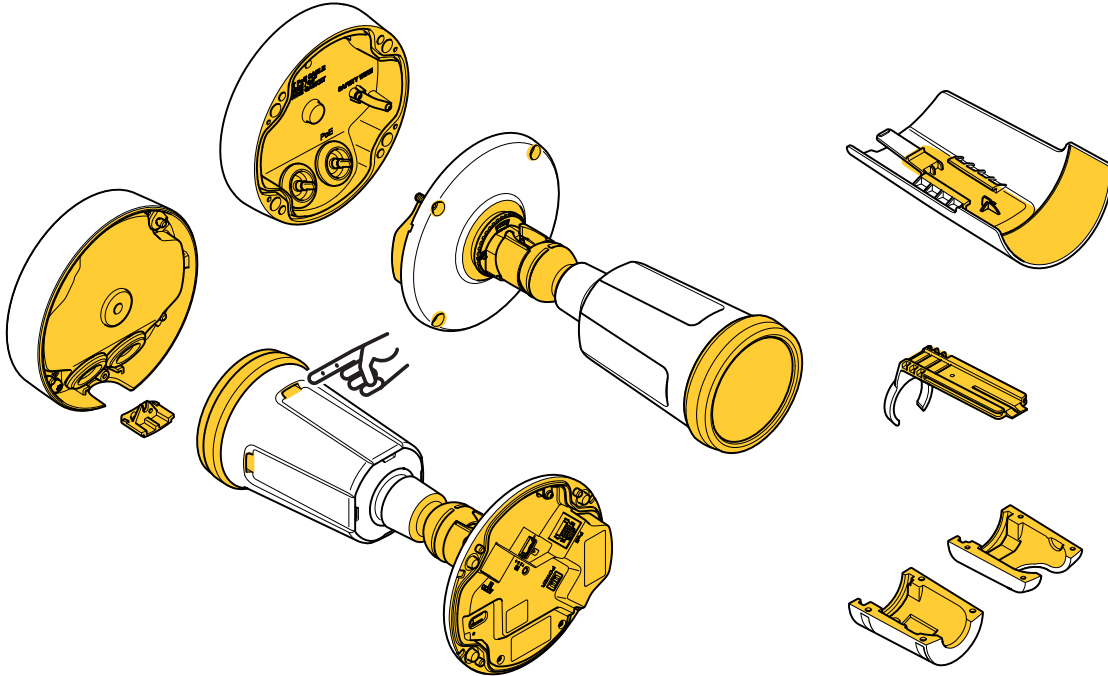
- 7 Lock screw
- 8 Screw
- 9 Arm cover
- 10 Pin

5. Remove the lock screw, the screws and the arm cover.
6. Remove the pin.

AXIS P14 and AXIS Q19 Camera Series

Repaint the product

Masking



1. Make sure all necessary preparations of the camera unit has been made. See *Preparations on page 3*.
2. Mask all screw and screwholes.
3. Mask the entire top surface of the bottom base cover.
4. Mask the entire bottom surface of the bottom base cover.
5. Mask the back of the lid.
6. Mask the underside of the weathershield.
7. Mask the holder.
8. Mask the inside of the arm cover.
9. Mask everything between the foot and the ball joint.
10. Mask the slots for the weathershield.
11. Mask the front of the camera.

Repainting

1. Apply a thin and even layer of spray paint according to the instructions of the paint manufacturer.
2. Let the paint dry.
3. To get a better coverage and clearer color, apply a second layer of spray paint.
4. When the paint is dry, remove the masking.

AXIS P14 and AXIS Q19 Camera Series

Repaint the product

Reassembly

1. Place the pin in the recess in the arm.
2. Attach the arm cover, the four screws and the lock screw. Do not tighten the lock screw. Tighten the four screws with 1 N m (0.7 lb ft) tightening torque.
3. Attach the weathershield.
4. Reassemble the camera. Tighten the screws with 1.2 N m (0.9 lb ft) tightening torque.

