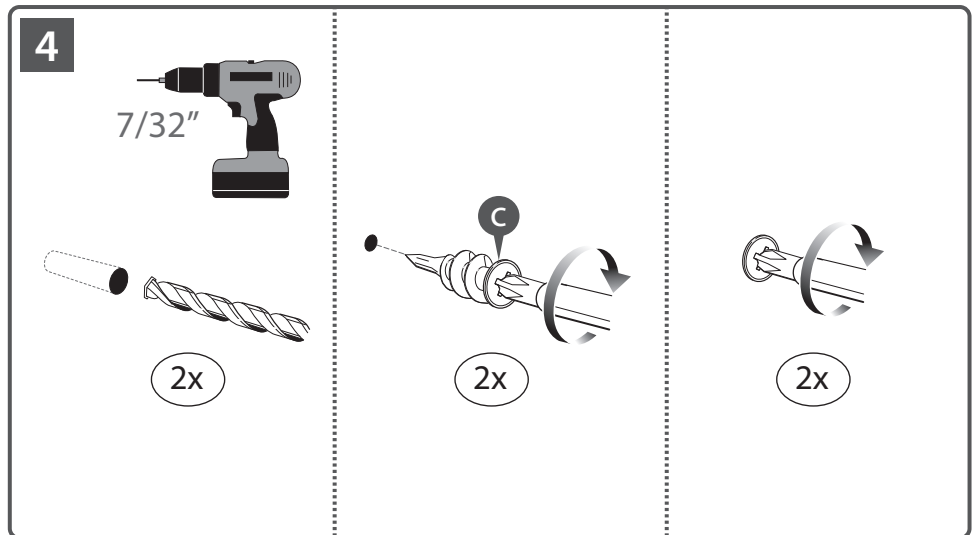
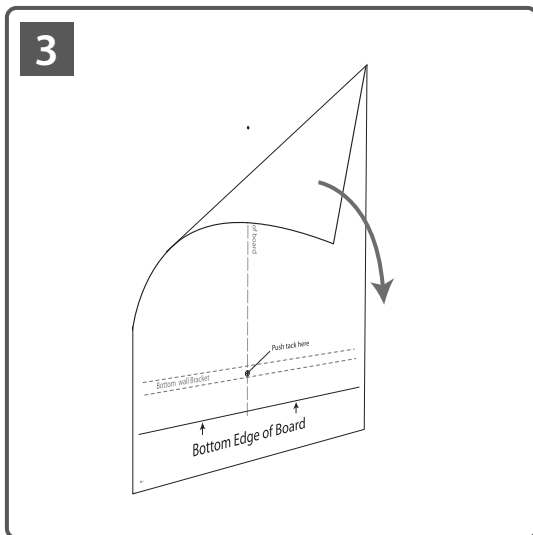
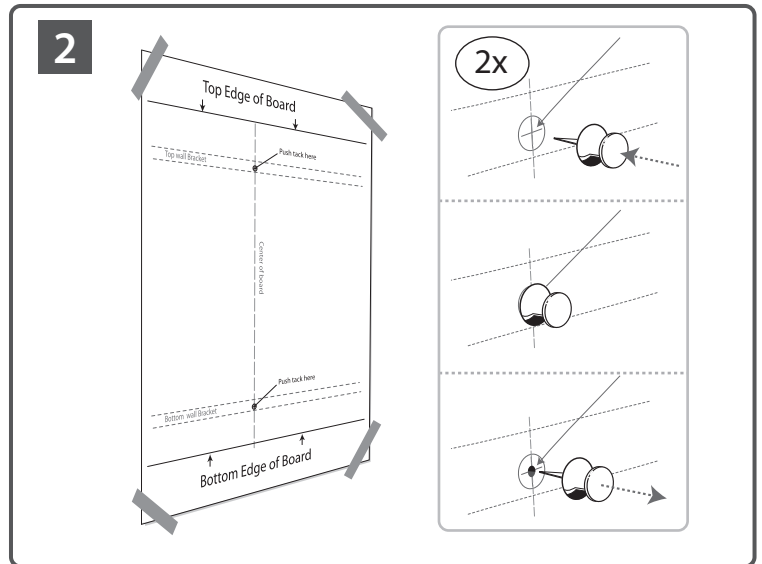
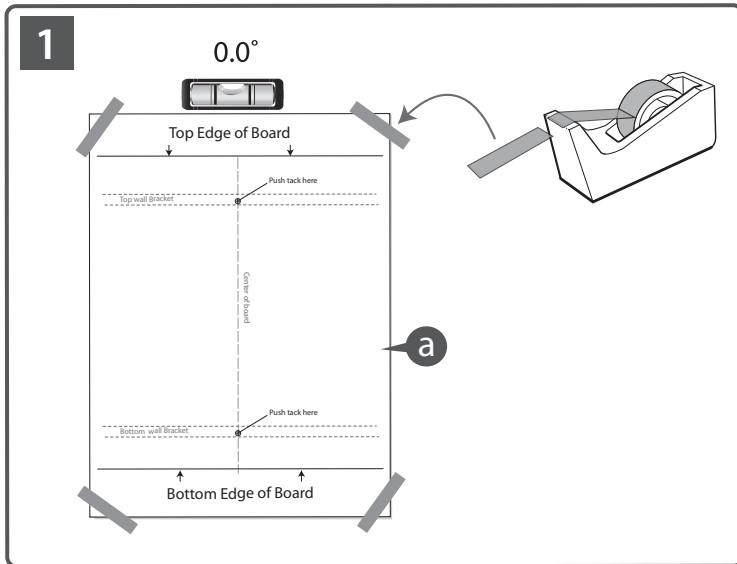
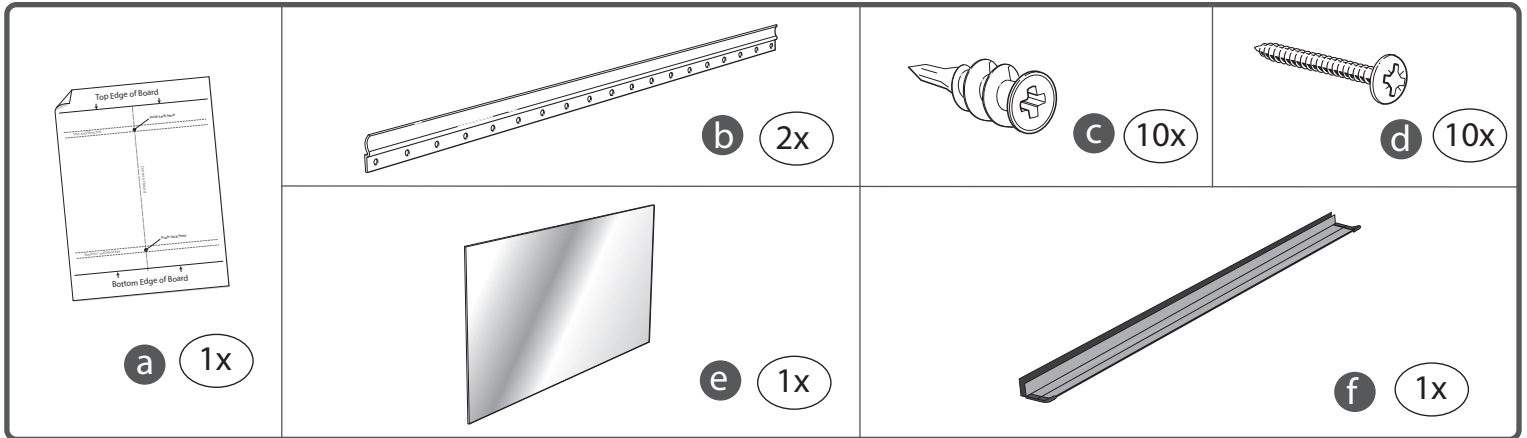
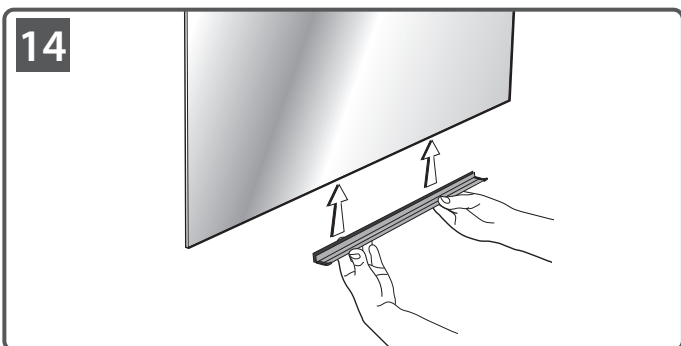
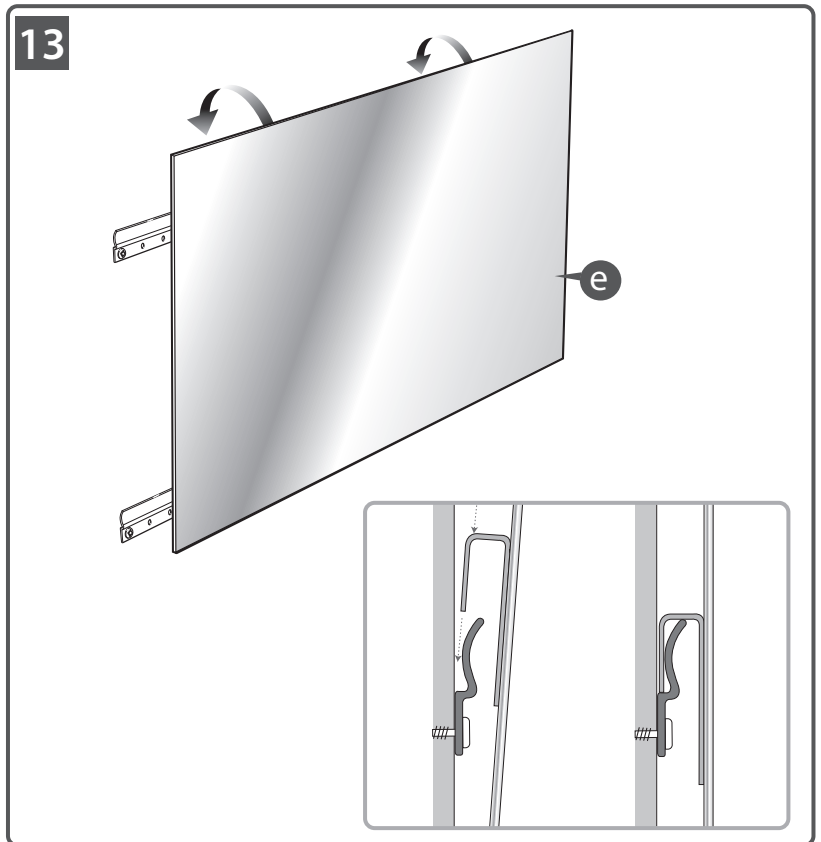
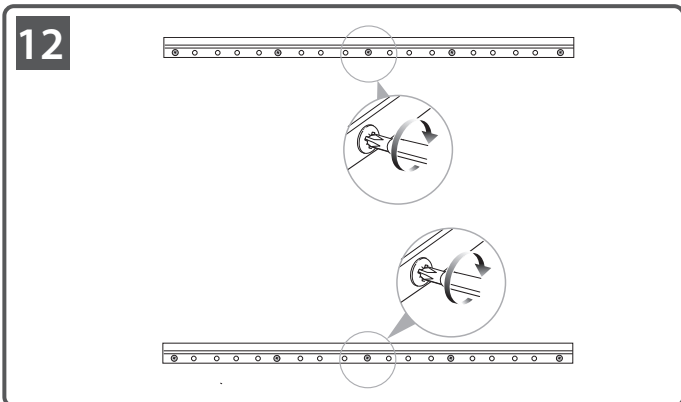
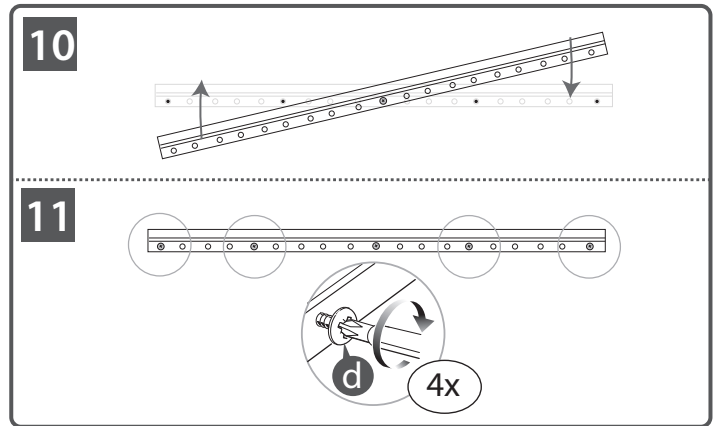
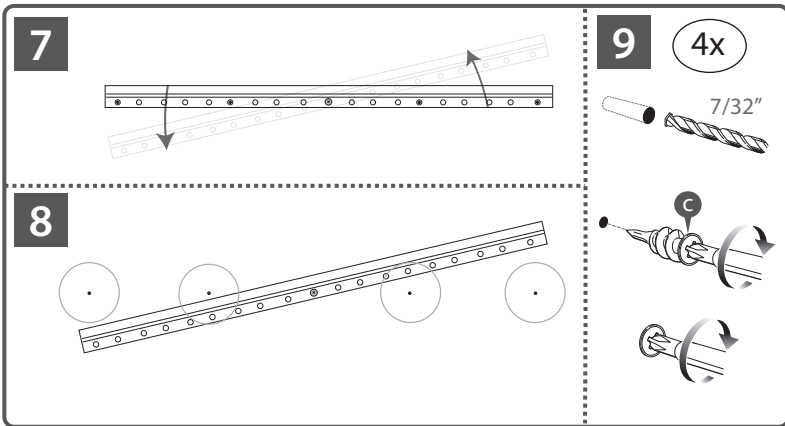
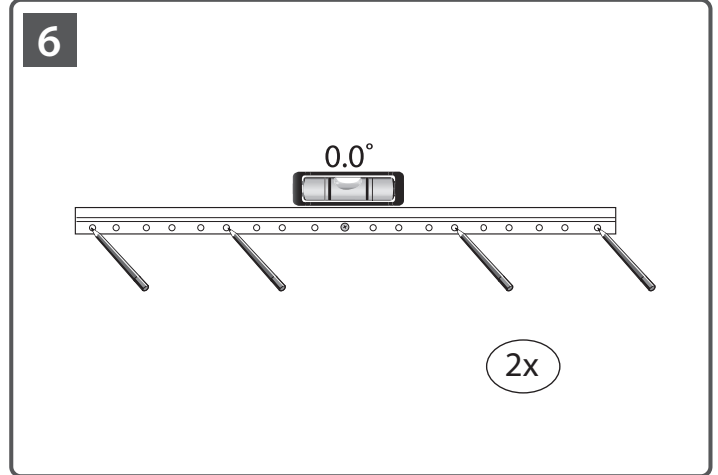
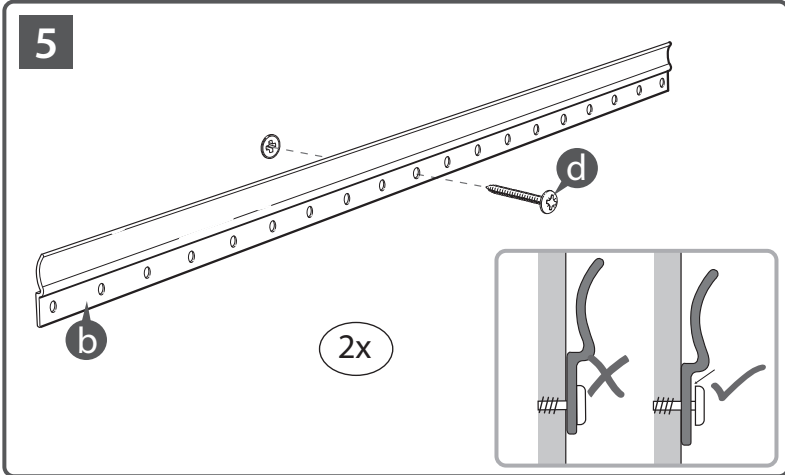


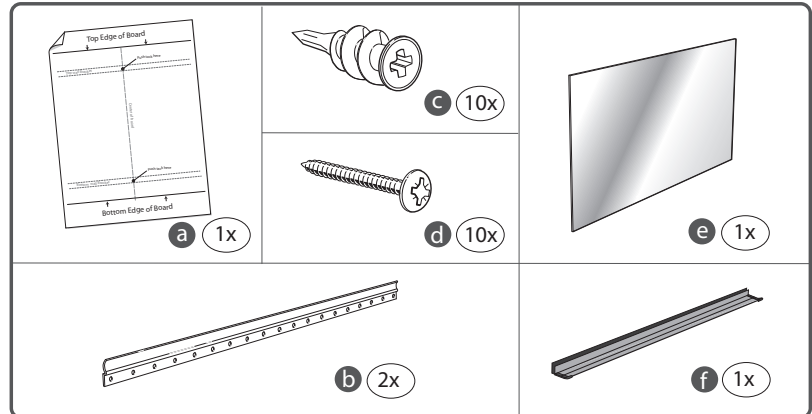
Quartet InvisaMount Glass Boards





What's Included in the Hardware Kit?

- a Paper Installation Template
- b Wall Mount Brackets
- c Self-Drilling Drywall Anchors
- d Phillips Head Screws
- e InvisiMount Glass Board
- f Accessory Tray

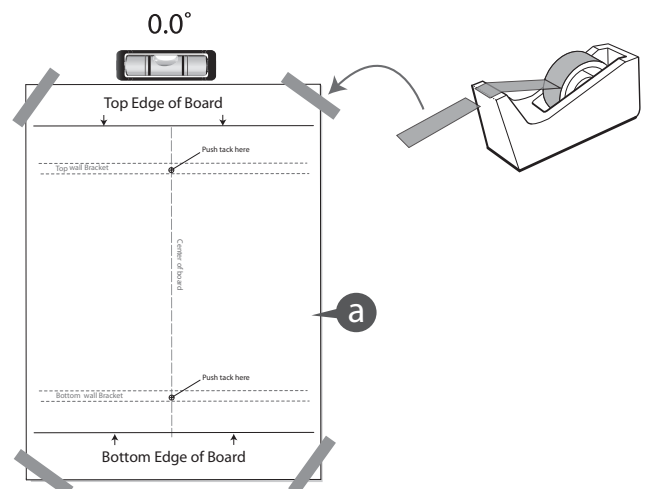


What Else Do I Need?

- Tape - make sure it's safe for the wall
- Push Pin
- Phillips Head Screwdriver
- Level
- Pencil
- Power Drill

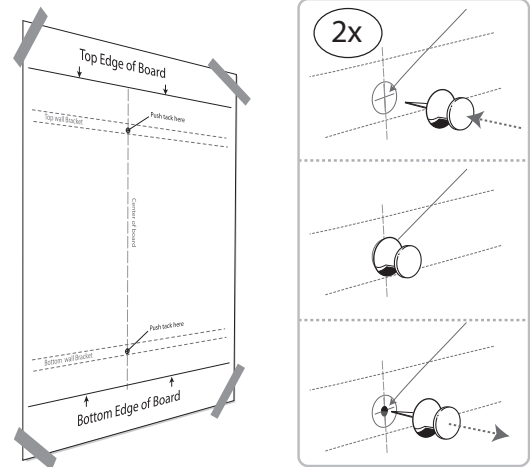
Step 1 – Set up the Template

- Use tape to align the Paper Installation Template on your wall.
- Place level on "Top Edge of Board" line to confirm template is level.
- **Note:** The paper template is not the size of the full glass dry-erase board – it is only used to help align the top and bottom of the board.



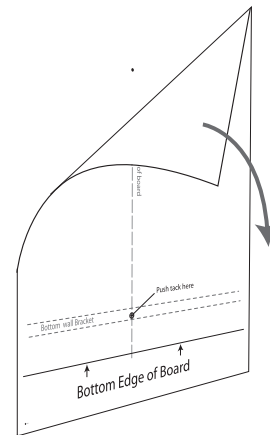
Step 2 – Mark the Wall

- Locate the “Push tack here” spots at the top and bottom of the template.
- Use a push pin to mark these spots.
- Remove the push pin.



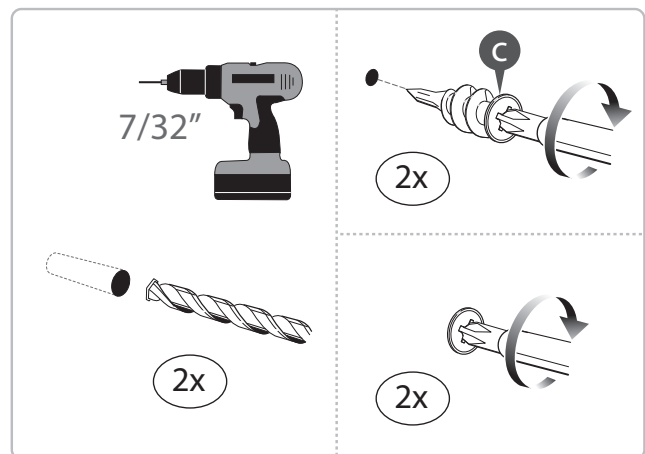
Steps 3 – Remove the Template

- Carefully remove the Paper Installation Template from the wall.
- Store the template somewhere safe for future use.



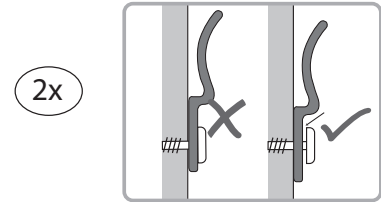
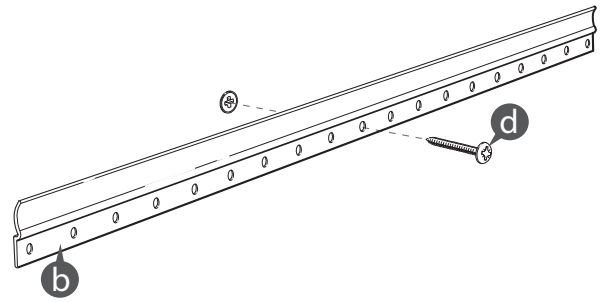
Step 4 – Insert Wall Anchors

- Use a 7/32" drill bit to create a pilot hole.
- Use a push pin to mark these spots.
- Remove the push pin.



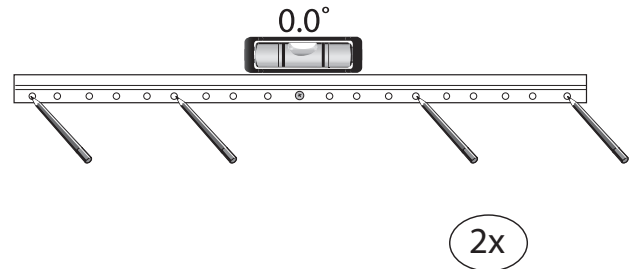
Step 5 – Mount Wall Brackets

- Find the center hole on the Wall Mount Bracket (Part B) and place it over the top anchor, with the holes toward the bottom of the bracket.
- Use a screwdriver to insert a screw through the Wall Mount Bracket and into the anchor.
- Repeat these steps for the bottom bracket.
- **Note:** Do not screw the screw all the way into the anchor. There should be a small gap between the Wall Mount Bracket and the head of the screw.



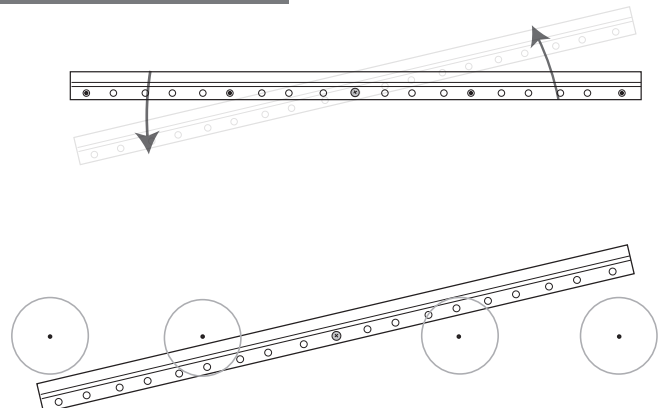
Step 6 – Mark Additional Holes

- Use a level to make sure the Wall Mount Brackets are even.
- Use a pencil to mark where additional anchors will be placed.
- Mark the holes at each end of the bracket and in between the middle and end marks.



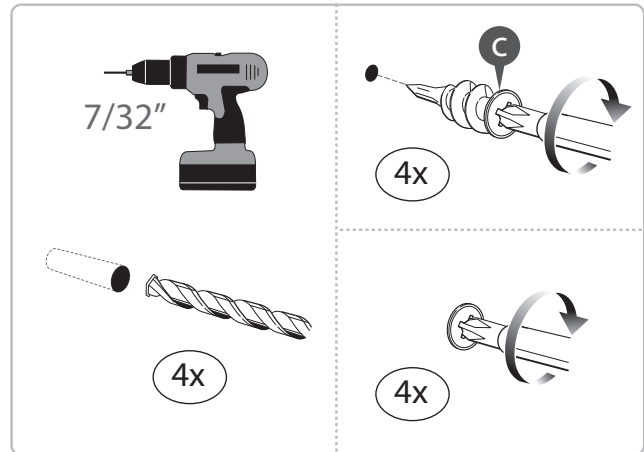
Steps 7 and 8 – Rotate Bracket

- Rotate bracket to expose pencil marks.



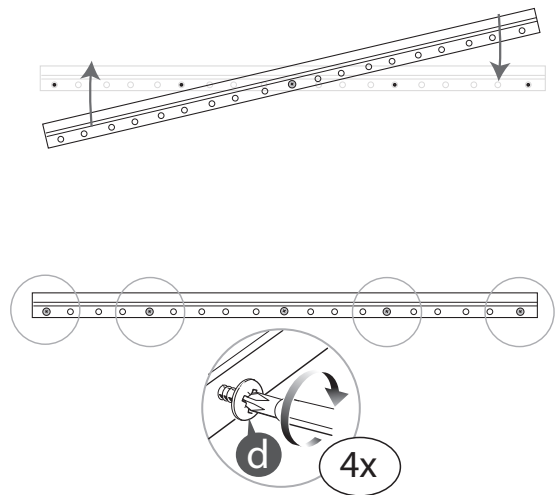
Step 9 – Insert Remaining Anchors

- Use a 7/32" drill bit to create pilot holes.
- Insert a Self-Drilling Drywall Anchor (Part C) into each mark using a screwdriver.
- Turn clockwise until the head of the anchor is flush with the wall.



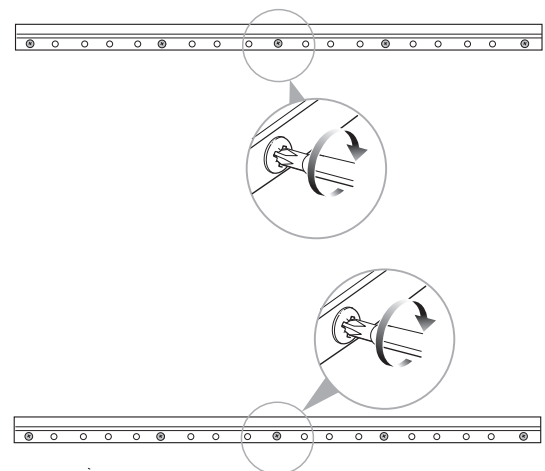
Steps 10 and 11 – Insert Remaining Screws

- Rotate the Wall Mount Bracket back to level.
- Insert screws through the Wall Mount Bracket and into the anchors.
- Turn the screws clockwise to tighten.



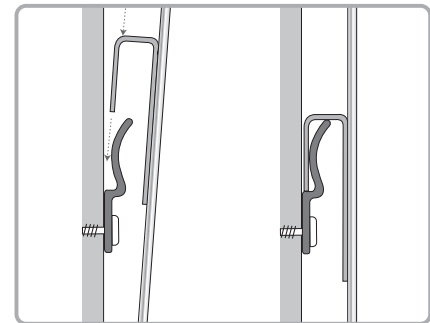
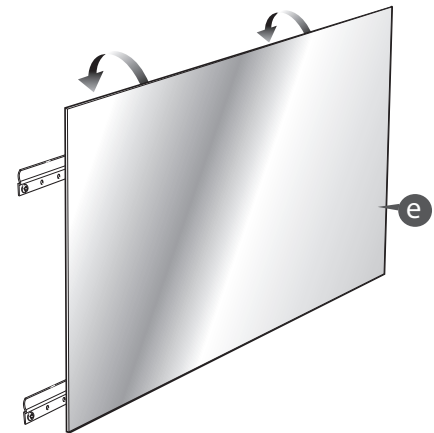
Step 12 – Tighten Center Screws

- Go back and tighten the center screws so they are flush to the wall.



Step 13 – Place Board on the Brackets

- Lift your InvisaMount Glass Dry-Erase Board against the wall, slightly higher than the Wall Mount Brackets.
- Once lined up, slide the glass board down until the attached mounting clips slide into place behind the Wall Mount Brackets.
- **Note:** Clips should slide in at the same time for both the top and bottom Wall Mount Brackets.



Step 14 – Attach Accessory Tray

- Starting at an angle, press the Accessories Tray up along the bottom of the glass whiteboard.
- The glass should fit between the gap in the back channel of the tray.
- Push the tray up until the bottom of the back channel is fully against the glass.

