

# **Wireless Bridge BR-330AC-LP**

---

## **User's Manual**





---

# Index

<b>1. Introduction .....</b>	<b>1</b>
1-1. Introduction .....	2
Disclaimers.....	2
Trademarks .....	2
1-2. Safety Instructions .....	3
1-3. Product Information and Customer Services .....	6
Product Information.....	6
Customer Support Center .....	6
<b>2. About BR-330AC-LP .....</b>	<b>7</b>
2-1. Features.....	8
2-2. Parts and Functions .....	10
2-3. Hardware Specification .....	13
2-4. Software Specification.....	16
2-5. Use of Radio Waves.....	17
Notes on Usage.....	17
2-6. Notes on Security .....	19
<b>3. Before You Begin.....</b>	<b>21</b>
3-1. Operating Mode .....	21
Single Client Mode.....	22
Multi-Client Mode .....	23
3-2. Configuration Method.....	24
Easy Configuration Using Configuration Mode .....	25
Wireless Configuration Using Smart Wireless Setup (Push Switch) .....	26
Wireless Configuration Using Smart Wireless Setup (PIN Code) .....	27
3-3. Necessary Wireless Setting Information.....	28
<b>4. How to Configure BR-330AC-LP.....</b>	<b>29</b>
4-1. Easy Configuration Using Configuration Mode.....	30

---

---

Accessing Web Configuration Interface in Configuration Mode .....	30
Configuration.....	32
Connecting Non-wireless Devices .....	35
4-2. Configuration Using Smart Wireless Setup (Push Switch) .....	37
Configuration.....	38
4-3. Configuration Using Smart Wireless Setup(Pin Code) .....	42
Accessing Web Configuration Interface in Configuration Mode .....	42
Checking a PIN Code.....	44
Configuration.....	47

## **5. List of Functions..... 49**

5-1. How to Access Web Configuration Interface.....	49
Accessing Web Configuration Interface in Configuration Mode .....	50
Configuration via Web Configuration Interface .....	52
5-2. IEEE802.1X Authentication .....	54
Network Configuration .....	54
IEEE802.1X Authentication .....	56
Certificate Standard.....	58
MAC Address Filtering .....	59
Before Using the IEEE802.1X Authentication .....	59
IEEE802.1X Authentication Settings.....	60
5-3. Saving Log.....	62
Types of Log .....	62
Retrieving/Deleting System Log.....	66
Retrieving/Deleting Event Log .....	68
Time Synchronization of Log .....	70
5-4. Address Management Table.....	71
About Address Management Table Feature .....	71
Registering Address to Management Table.....	72
Deleting Address from Management Table.....	74
5-5. Maintenance .....	76

---

---

Restarting.....	76
Factory Default Configuration.....	78
Firmware Update.....	80

**A. Appendix ..... 83**

A-1. List of All Settings .....	83
A-2. Troubleshooting .....	96
A-3. What's AMC Manager®? .....	99

---

---

Blank page

---

# *1.* Introduction

---

Thank you for purchasing the Wireless Bridge BR-330AC-LP (hereinafter the "BR-330AC-LP"). This manual provides information on how to configure and use BR-330AC-LP. Please read the **1-2. Safety Instructions** carefully before using BR-330AC-LP.

# 1-1. Introduction

---

This manual provides information on how to configure and use BR-330AC-LP. Please read the Safety Instructions carefully before using BR-330AC-LP.



TIP

: This symbol indicates important information that needs to be observed when operating BR-330AC-LP. Make sure to read this information for safe and proper use.



Note

: This symbol indicates information that is useful when using BR-330AC-LP. If you experience difficulties operating BR-330AC-LP, please refer to this information first.

---

## Disclaimers

- The unauthorized transfer or copying of the content of this manual, in whole or in part, without prior written consent is expressly prohibited by law.
- The content of this manual is subject to change without notice.
- This manual was prepared to accurately match the content of each OS, but the actual information shown on the computer monitor may differ from the content of this manual due to future OS version upgrades, modifications, and other changes.
- Although every effort was made to prepare this manual with the utmost accuracy, Silex Technology will not be held liable for any damages as a result of errors, setting examples, or other content.

---

## Trademarks

- AMC Manager® is a registered trademark of Silex Technology, Inc.
- Microsoft and Windows and Microsoft Edge are trademarks or registered trademarks of Microsoft Corporation in the United States and/or other countries.
- Wi-Fi, Wi-Fi Protected Setup, Wi-Fi Protected Access (WPA), WPA2 are trademarks or registered trademarks of Wi-Fi Alliance.
- Mozilla and Firefox are trademarks or registered trademarks of Mozilla Foundation in the United States and/or other countries.
- Other company names and product names contained in this manual are trademarks or registered trademarks of their respective companies.





## 1-2. Safety Instructions







This page provides the safety instructions for safe use of BR-330AC-LP.

To ensure safe and proper use, please read the following information carefully before using BR-330AC-LP. The safety instructions include important information on safe handling of BR-330AC-LP and on general safety issues.







< Meaning of the warnings >

	<b>Warning</b>	"Warning" indicates the existence of a hazard that could result in death or serious injury if the safety instruction is not observed.
	<b>Caution</b>	"Caution" indicates the existence of a hazard that could result in serious injury or material damage if the safety instruction is not observed.

< Meaning of the symbols >

	This symbol indicates the warning and caution. ( Example:  "Danger of the electric shock" )
	This symbol indicates the prohibited actions. ( Example:  "Disassembly is prohibited" )
	This symbol indicates the actions users are required to observe. ( Example:  "Remove the AC plug from an outlet" )

 **Warning**

 	<p>* Do not allow physical impact. When damaged, turn off the connected devices, unplug the AC plug of BR-330AC-LP from a power outlet and contact your point of purchase. Failure to take this action could cause fire or an electrical shock.</p> <p>* In the following cases, turn off the connected devices and unplug the AC plug of BR-330AC-LP from a power outlet and contact your point of purchase. Failure to take this action could cause fire or an electrical shock.</p> <ul style="list-style-type: none"> <li>* When BR-330AC-LP emits a strange smell, smoke or sound or becomes too hot to touch.</li> <li>* When foreign objects (metal, liquid, etc.) gets into BR-330AC-LP.</li> </ul>
	<p>* Keep the cords and cables away from children. It may cause an electrical shock or serious injury.</p>
	<p>* If a ground wire is supplied with your device to use with, connect it to the ground terminal in order to prevent an electrical shock. Do not connect the ground wire to gas pipe, water pipe, lighting rod or telephone ground wire. It may cause malfunction.</p>
	<p>* Do not disassemble or modify BR-330AC-LP. It may cause fire, electrical shock or malfunction.</p> <p>* Do not disassemble or modify the AC adaptor that came with BR-330AC-LP. It may cause fire, electrical shock or malfunction.</p>
	<p>* Do not use BR-330AC-LP with the equipment that directly affects the human life (medical equipment such as the life support equipment and operating room equipment) and with the system that has a significant impact on the human safety and the maintenance of public functions (nuclear equipment, aerospace equipment, etc.).</p>



## Caution

	<p>* Do not pull on the cord to disconnect the plug from the power supply. The cord may be broken, which could result in fire or an electrical shock.</p>
	<p>* When removing BR-330AC-LP, disconnect the AC plugs of both BR-330AC-LP and the other devices you are using with.</p> <p>* Use the AC adaptor supplied with BR-330AC-LP. Other AC adaptors may cause malfunction.</p> <p>* Verify all codes or cables are plugged correctly before using BR-330AC-LP.</p> <p>* When BR-330AC-LP will not be used for a long time, unplug the power cables of BR-330AC-LP and the other devices you are using with.</p>
	<p>* Do not use or store BR-330AC-LP under the following conditions. It may cause malfunction.</p> <ul style="list-style-type: none"> <li>- Locations subject to vibration or shock</li> <li>- Shaky, uneven or tilted surfaces</li> <li>- Locations exposed to direct sunlight</li> <li>- Humid or dusty places</li> <li>- Wet places (kitchen, bathroom, etc.)</li> <li>- Near a heater or stove</li> <li>- Locations subject to extreme changes in temperature</li> <li>- Near strong electromagnetic sources (magnet, radio, wireless device, etc.)</li> </ul>

## 1-3. Product Information and Customer Services

### Product Information

The services below are available from the Silex Technology website. For details, please visit the Silex Technology website.

URL	
USA / Europe	<a href="https://www.silextechnology.com/">https://www.silextechnology.com/</a>

- Latest firmware download
- Latest software download
- Latest manual download
- Support information (FAQ)

### Customer Support Center

Customer Support is available for any problems that you may encounter.

If you cannot find the relevant problem in this manual or on our website, or if the corrective procedure does not resolve the problem, please contact Silex Technology Customer Support.

Contact Information	
USA	<a href="mailto:support@silexamerica.com">support@silexamerica.com</a>
Europe	<a href="mailto:support@silexeurope.com">support@silexeurope.com</a>



Note

- Visit the Silex Technology website (<https://www.silextechnology.com/>) for the latest FAQ and product information.

## 2. About BR-330AC-LP

---

BR-330AC-LP is the wireless bridge that can add a wireless feature to non-wireless devices (10BASE-T/100BASE-TX network devices) and that supports wireless LAN communication of 2.4GHz/5GHz band. Enterprise security feature will ensure safe and secure use of wireless communication at an office, factory, etc. where a higher security is required.

## 2-1. Features

---

BR-330AC-LP has the following features:

### **Giving unlimited locations for your non-wireless devices**

As you do not have to care wiring conditions in order to establish your environment, choices of location greatly expand in any kinds of scenes such as office, factory, school, commercial facility, etc. where the layout change is frequently required or effective layout of equipment needs to be carefully considered for a work line. Also, cost reduction is largely expected as you will no longer have to pay for wiring construction.

### **IEEE 802.11a/b/g/n/ac**

BR-330AC-LP supports communications at both 2.4GHz/5GHz bands. Using 5GHz band will help to avoid radio interference with 2.4GHz band which is most commonly used in the market.

### **Advanced security**

The following security features are supported:

- Open (WEP)
- WPA2-Personal (AES)
- WPA/WPA2-Personal (AUTO)
- WPA2-Enterprise (AES)
- WPA/WPA2-Enterprise (AUTO)



- For WPA/WPA2-Enterprise and WPA2-Enterprise, IEEE802.1X authentication method can be used.

### **Note**

### **Two types of operating mode**

#### **[Single Client Mode]**

- Bridges a single non-wireless device connected to a LAN port of the BR-330AC-LP over wireless network.
- For the MAC address to use for wireless LAN connection, the MAC address of the device connected to a LAN port of the BR-330AC-LP will be used (MAC address transparent feature).
- Stops bridging when someone changed the device being connected to a wired LAN port of the BR-330AC-LP to the other one (security feature).

#### **[Multi-Client Mode]**

- Up to 16 non-wireless devices can be bridged over wireless network if a HUB is connected to a LAN port of the BR-330AC-LP.

- For a MAC address to use for wireless LAN connection, the MAC address of the BR-330AC-LP will be used.

### **Easy access to the Web configuration interface**

Without changing the setting of the PC you use for setup, the Web configuration interface of BR-330AC-LP can easily be accessed.

### **Wireless Configuration Using a Push Switch**

BR-330AC-LP support the wireless configuration using Smart Wireless Setup. If your wireless router supports WPS (Wi-Fi Protected Setup), you can configure the wireless settings easily using the push switch.



- To use the functions above, your wireless router needs to support the same functions.

#### **Note**

### **Supports "AMC Manager® "(non-free program / free program)**

BR-330AC-LP supports the total management software, "AMC Manager®".

The AMC Manager® provides the useful features as follows:

- Remote device control and monitoring
- Bulk configuration and firmware updates
- System time synchronization (version 3.2.0 or later)

If the non-free version of AMC Manager® is purchased, the plug-in utility "BR Kitting Utility" can be used to configure multiple BR-330AC-LP units at once.



- For details on the "AMC Manager®", please visit our homepage.

- To use the "AMC Manager®", an IP address needs to be configured to the BR-330AC-LP.

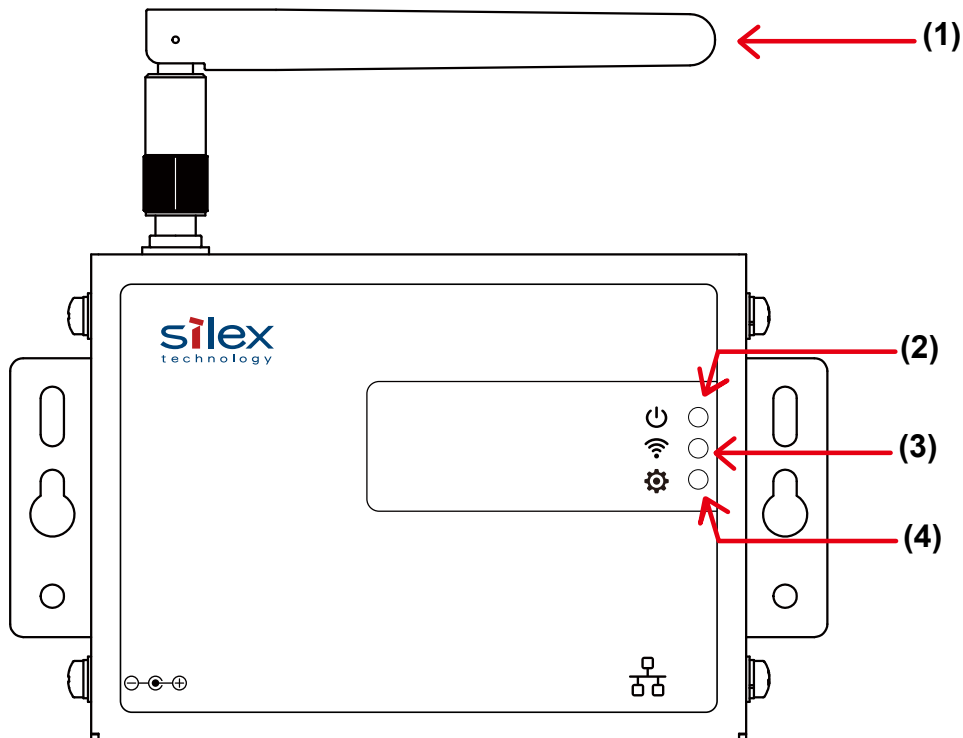
#### **Note**

- BR-330AC-LP can be used in Infrastructure mode only. Ad hoc mode is not supported.

## 2-2. Parts and Functions

The parts name and functions are as follows:

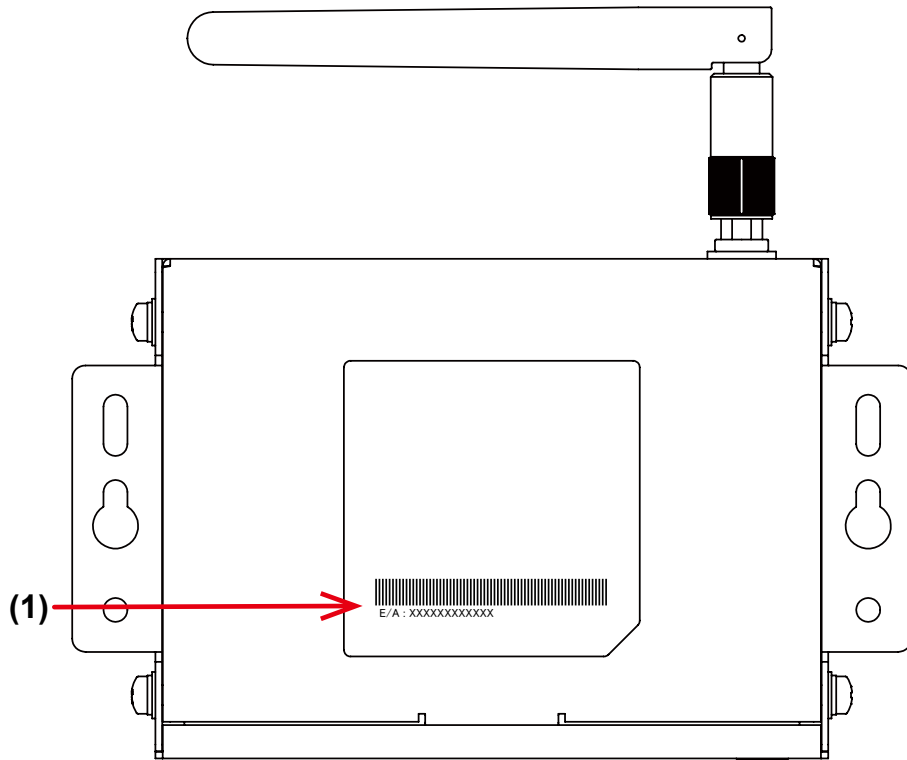
### Front



(1)	Wireless LAN antenna	This antenna is used for wireless communication.	
(2)	POWER LED (Orange)	ON	Powered on.
		OFF	Powered off.
(3)	WLAN LED (Yellow)	ON	Running in Infrastructure mode.
		OFF	Wireless LAN is OFF.
		* Blinks together with STATUS LED when running in Configuration Mode.	
(4)	STATUS LED (Green)	ON	Wireless router is connected.
		OFF	Wireless router is not connected.
		BLINK	Transferring data.
		* Blinks together with WLAN LED when running in Configuration Mode.	

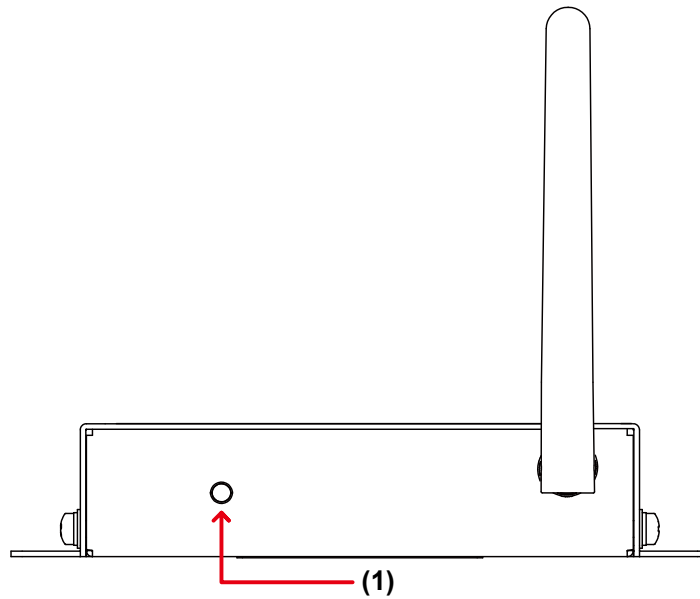


**Back**



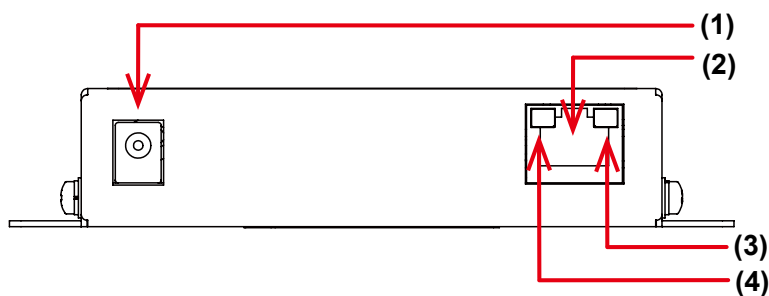
(1)	MAC Address	MAC Address of BR-330AC-LP
-----	-------------	----------------------------

**Top**



(1)	Push Switch	Start in Configuration Mode	Press and hold the push switch for 5 sec while BR-330AC-LP is active.
		Wireless configuration using Smart Wireless Setup	Press and hold the push switch for 10 sec while BR-330AC-LP is active.
		Factory default configuration	Press and hold the push switch while turning on BR-330AC-LP. Release the switch when the WLAN LED turns off and STATUS LED turns on.

**Bottom**



(1)	Power connector	Connect the AC adaptor.	
(2)	LAN port	Connect the LAN cable.	
(3)	Link LED (Orange)	ON (Orange)	Linked in wired LAN (100BASE-TX).
(4)	Link LED (Green)	ON (Green)	
		OFF (Orange)	Linked in wired LAN (10BASE-T).
		ON (Green)	
		BLINK (Orange)	Receiving packets in wired LAN (100BASE-TX).
		BLINK (Green)	Receiving packets in wired LAN (10BASE-T).
		OFF (Orange / Green)	Wired LAN is not connected.

## 2-3. Hardware Specification

Operating environment	Temperature : 0 degrees to +50 degrees	
	Humidity : 20% to 80%RH (Non-condensing)	
Storage environment	Temperature : -20 degrees to +70 degrees	
	Humidity : 20% to 90%RH (Non-condensing)	
Wired network interface	10BASE-T/100BASE-TX (Auto-sensing) :1 port Auto MDI/MDIX	
Wireless network interface	IEEE 802.11a/b/g/n/ac	
Channel	(US/CA) 2.4GHz: 1-11ch 5GHz: (W52) 36,40,44,48 (W53) 52,56,60,64 (W56) 100,104,108,112,116,132,136,140 (W58) 149,153,157,161,165	
	(EU/UK) 2.4GHz: 1-13ch 5GHz: (W52) 36,40,44,48 (W53) 52,56,60,64 (W56) 100,104,108,112,116,120,124,128,132,136,140	
Push Switch	1	
LED	Front	POWER (Orange) WLAN (Yellow) STATUS (Green)
	LAN Port	Link (Green/ Orange)
Compatible devices	Network devices with LAN port (RJ-45)	
Max number of connectable devices	When operating in <b>Single Client Mode</b> : 1 device	
	When operating in <b>Multi-Client Mode</b> : 16 devices	
EMC	VCCI Class-B FCC Part 15 Subpart B Class-B ICES-003 Issue 7 Class-B EN 301 489-1/-17, EN 55032 Class-B	
Radio regulation	MIC FCC part 15 Subpart C / Subpart E RSS-Gen/-247 EN 300 328, EN 301 893, EN 62368-1 (Module regulation) SRRC	

## Notice to US Customers



**Contains FCC ID : N6C-SDMAC**

### **FCC Rules Part 15 §15.19(a)(3)**

This device complies with part 15 of the FCC Rules. Operation is subject to the following two conditions:

- (1) This device may not cause harmful interference, and
- (2) this device must accept any interference received, including interference that may cause undesired operation.

### **FCC Rules Part 15**

#### **FCC CAUTION**

Changes or modifications not expressly approved by the party responsible for compliance could void the user's authority to operate the equipment.

### **FCC Rules Part 15 Subpart B §15.105(b)**

Note: This equipment has been tested and found to comply with the limits for a Class B digital device, pursuant to part 15 of the FCC Rules. These limits are designed to provide reasonable protection against harmful interference in a residential installation. This equipment generates, uses and can radiate radio frequency energy and, if not installed and used in accordance with the instructions, may cause harmful interference to radio communications. However, there is no guarantee that interference will not occur in a particular installation. If this equipment does cause harmful interference to radio or television reception, which can be determined by turning the equipment off and on, the user is encouraged to try to correct the interference by one or more of the following measures:

- Reorient or relocate the receiving antenna.
- Increase the separation between the equipment and receiver.
- Connect the equipment into an outlet on a circuit different from that to which the receiver is connected.
- Consult the dealer or an experienced radio/TV technician for help.

### **FCC Rules Part 15 Subpart E §15.407(c)**

Data transmission is always initiated by software, which is then passed down through the MAC, through the digital and analog baseband, and finally to the RF chip. Several special packets are initiated by the MAC. These are the only ways the digital baseband portion will turn on the RF transmitter, which it then turns off at the end of the packet. Therefore, the transmitter will be on only while one of the aforementioned packets is being transmitted.

In other words, this device automatically discontinues transmission in case of either absence of information to transmit or operational failure.

### **FCC Rules Part 15 Subpart E §15.407(g)**

Frequency Tolerance: +/-20 ppm

### **FCC Rules Part 15 Subpart C §15.247(g) / Subpart E**

This device and its antenna(s) must not be co-located or operation in conjunction with any other antenna or transmitter.

### **FCC Rules Part 15 Subpart C §15.247 and Subpart E**

This equipment complies with FCC radiation exposure limits set forth for an uncontrolled environment and meets the FCC radio frequency (RF) Exposure Guidelines. This equipment should be installed and operated keeping the radiator at least 20cm or more away from person's body.

## Notice to Canadian Customers

**Contains IC : 4908A-SDMAC**

**CAN ICES-3 (B)/NMB-3 (B)**

### **RSS-Gen Issue 5 §8.4**

This device contains licence-exempt transmitter(s)/receiver(s) that comply with Innovation, Science and Economic Development Canada's licence-exempt RSS(s). Operation is subject to the following two conditions:

1. This device may not cause interference.
2. This device must accept any interference, including interference that may cause undesired operation of the device.

L'émetteur/récepteur exempt de licence contenu dans le présent appareil est conforme aux CNR d'Innovation, Sciences et Développement économique Canada applicables aux appareils radio exempts de licence. L'exploitation est autorisée aux deux conditions suivantes :

1. L'appareil ne doit pas produire de brouillage;
2. L'appareil doit accepter tout brouillage radioélectrique subi, même si le brouillage est susceptible d'en compromettre le fonctionnement.

### **RSS-247 Issue 2 §6.2.2.2**

for indoor use only (5150-5350 MHz)

Pour usage intérieur seulement (5150-5350 MHz)

**RSS-247 Issue 2 §6.4**

Data transmission is always initiated by software, which is then passed down through the MAC, through the digital and analog baseband, and finally to the RF chip. Several special packets are initiated by the MAC. These are the only ways the digital baseband portion will turn on the RF transmitter, which it then turns off at the end of the packet. Therefore, the transmitter will be on only while one of the aforementioned packets is being transmitted. In other words, this device automatically discontinues transmission in case of either absence of information to transmit or operational failure.

La transmission des données est toujours initiée par le logiciel, puis les données sont transmises par l'intermédiaire du MAC, par la bande de base numérique et analogique et, enfin, à la puce RF. Plusieurs paquets spéciaux sont initiés par le MAC. Ce sont les seuls moyens pour qu'une partie de la bande de base numérique active l'émetteur RF, puis désactive celui-ci à la fin du paquet. En conséquence, l'émetteur reste uniquement activé lors de la transmission d'un des paquets susmentionnés. En d'autres termes, ce dispositif interrompt automatiquement toute transmission en cas d'absence d'information à transmettre ou de défaillance.

**RSS-102 Issue 5 §2.6**

This equipment complies with ISED radiation exposure limits set forth for an uncontrolled environment and meets RSS-102 of the ISED radio frequency (RF) Exposure rules. This equipment should be installed and operated keeping the radiator at least 20cm or more away from person's body.

Cet équipement est conforme aux limites d'exposition aux rayonnements énoncées pour un environnement non contrôlé et respecte les règles d'exposition aux fréquences radioélectriques (RF) CNR-102 de l'ISDE. Cet équipement doit être installé et utilisé en gardant une distance de 20 cm ou plus entre le radiateur et le corps humain.

**RSS-Gen Issue 5 §6.8**


This radio transmitter 4908A-SDMAC has been approved by Innovation, Science and Economic Development Canada to operate with the antenna types listed below, with the maximum permissible gain indicated. Antenna types not included in this list that have a gain greater than the maximum gain indicated for any type listed are strictly prohibited for use with this device.

Antenna type	Gain	Impedance
Pole antenna (TD17027A3S0)	2.4GHz: 1.5dBi 5GHz: 2.1dBi	50Ω

Le présent émetteur radio 4908A-SDMAC a été approuvé par Innovation, Sciences et Développement économique Canada pour fonctionner avec les types d'antenne énumérés ci-dessous et ayant un gain admissible maximal. Les types d'antenne non inclus dans cette liste, et dont le gain est supérieur au gain maximal indiqué pour tout type figurant sur la liste, sont strictement interdits pour l'exploitation de l'émetteur.

Type d'antenne	Gain	l'impédance
Antenne pôle (TD17027A3S0)	2.4GHz: 1.5dBi 5GHz: 2.1dBi	50Ω

**Notice to European Customers**

					
AT	EE	IE	NL	ES	CH
BE	FI	IT	PL	SE	HR
BG	FR	LV	PT	/	MK
CY	DE	LT	RO	IS	TR
CZ	EL	LU	SK	LI	ME
DK	HU	MT	SI	NO	RS

**Notice to UK Customers**

Restrictions or Requirements in the UK

## 2-4. Software Specification

### Configuration Mode Operation

Network layer	ARP, IP, ICMP, FLDP, FLDP/BR
Transport layer	TCP, UDP
Application layer	DHCP Client (*1), DNS Client, NTP Client, HTTP, SX-SMP (TCP/UDP#60000/60001), DNS Server (simple reply function only), DHCP Server (simple server function only), NetBIOS over TCP/IP (Name Service only)

### Normal Operation

Network layer	ARP, IP, ICMP, FLDP, FLDP/BR
Transport layer	TCP, UDP
Application layer	DHCP Client (*1), DNS Client, NTP Client, HTTP, SX-SMP

(\*1) BOOTP is not supported.



- For Multi-Client mode, only TCP/IP (IPv4, IPv6) communication is bridged.

**TIP**

---

## 2-5. Use of Radio Waves

---

### Notes on Usage

---

#### **When using BR-330AC-LP near the medical devices**

The radio wave interference may adversely affect the operation of medical devices such as pacemakers. When using BR-330AC-LP near the medical devices that require a high level of safety and reliability, check with the manufacturer or distributor of each medical device about the effects of radio waves.

#### **When using BR-330AC-LP near the following devices**

- Microwave oven, industrial/scientific equipment, etc.

The above devices use the same radio frequency band as the wireless LAN. Using BR-330AC-LP near the above devices may cause radio wave interference. As the result, communication may be lost, the speed may slow down, or the operation of the above devices may be adversely affected.

Before using BR-330AC-LP, make sure that no radio wave interference occurs. For example, if there is a microwave oven near BR-330AC-LP, check the proper communication beforehand while actually using the microwave oven.

#### **Do not use BR-330AC-LP near a cellular phone, TV or Radio**

A cellular phone, TV and radio use a different radio band than our products. Generally, if they are used near BR-330AC-LP, it will not cause any problems. However, when they approximate BR-330AC-LP, sound or image noise may occur.

#### **If there is reinforced concrete/metal between wireless devices, they may not connect**

BR-330AC-LP can connect through wood or glass, but may have troubles connecting through reinforced concrete/metal.

#### **BR-330AC-LP complies with the certification of conformance to technical standards.**

#### **Please pay attention to the following points:**

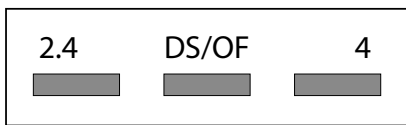
- Please do not disassemble or remodel the product. Such action is prohibited by law.
- Please do not remove the certificate label. Using the product without a label is prohibited.


### Wireless devices using 2.4GHz band

The same frequency band of BR-330AC-LP is used for a microwave, industry, science, medical equipment and licensed in room or low power (non-licensed) radio stations.

- Before you use BR-330AC-LP, check that it does not interfere with other devices.
- If interference occurs, stop using BR-330AC-LP or change the wireless band. Please consider to create a wall between these devices to avoid interference. Contact us for possible solution.

\*The meaning of the symbols in the bottom of the unit:



2.4	: Wireless devices using 2.4GHz frequency band
DS/OF	: DS-SS or OFDM is used as modulation.
4	: The range of interference is equal to or lower than 40m.
	: All bands can be used to avoid interference.

### Notes on using 5GHz band

- Use of 5.2GHz band (W52) and 5.3GHz band (W53) outdoors is prohibited by the radio regulations. Use only W56 channels then.



## 2-6. Notes on Security

---

Because a wireless LAN uses electromagnetic signals instead of a LAN cable to establish communication with network devices, it has the advantage of allowing devices to connect to the network without a limitation of installation locations due to wiring. However, a disadvantage of this is that within a certain range, the electromagnetic signals can pass through barriers such as walls, and if security countermeasures are not implemented in some way, problems such as the following may occur.

- Communication is intercepted by a third party
- Unauthorized access to the network
- Leakage of personal information (ID and Card information)
- Spoofing and the falsification of intercepted data
- System crashes and data corruption

Nowadays, wireless LAN cards or wireless routers are equipped with security measures that address such security problems, so that you can enable security-related settings for wireless LAN products in order to reduce the likelihood of problems occurring.

We recommend that you make yourself fully acquainted with the possible implications of what might happen if you use a wireless product without enabling security features, and that you configure security-related settings and use wireless products at your own responsibility.

Blank page

# 3. Before You Begin

---

This chapter explains each operating mode and available configuration methods for BR-330AC-LP as well as the wireless setting information you need to check out before the configuration.

## 3-1. Operating Mode

---

BR-330AC-LP has 2 operating modes below.

Please use the one appropriate for your environment.

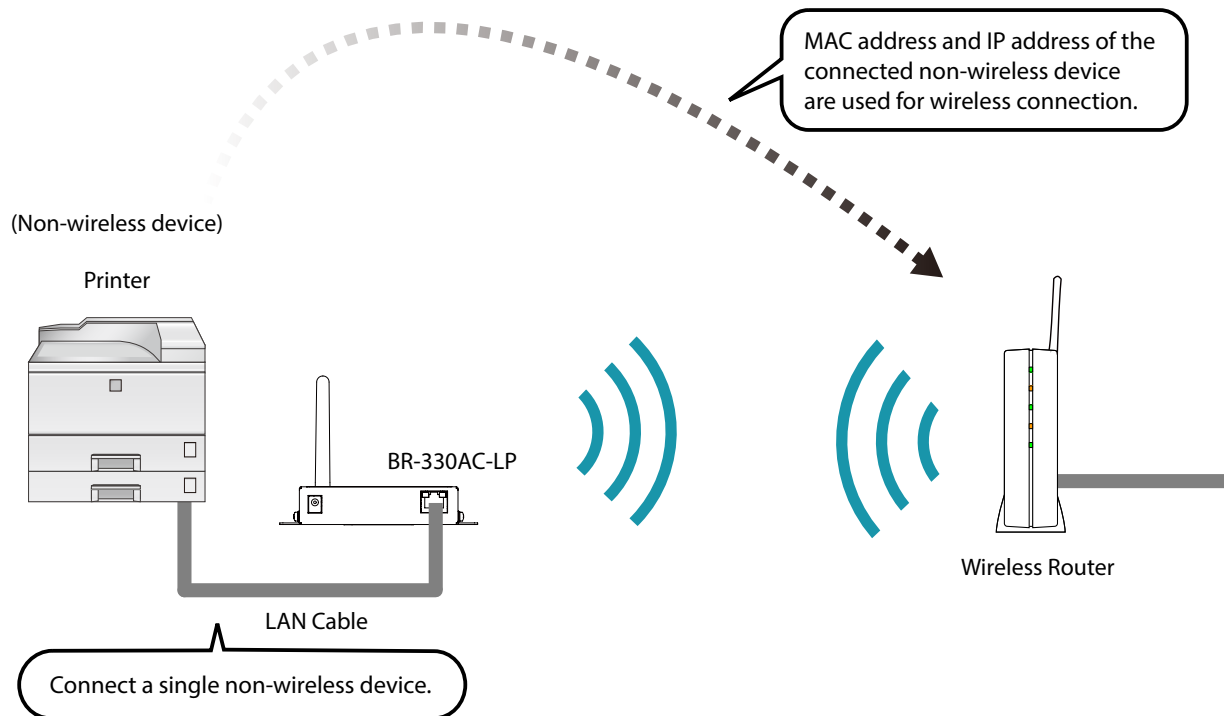
- Single Client Mode
- Multi-Client Mode

**Note**

- The operating mode can be configured on the Web configuration interface which can be accessed when the BR-330AC-LP operates in Configuration Mode.
- By defaults, the operating mode is set to **Multi-Client Mode**.

## Single Client Mode

Use this mode when you connect a single non-wireless device to the BR-330AC-LP. As the MAC address and IP address of the connected device are used for wireless LAN connection, you can use the device as if it is directly connected to a wireless LAN.



### TIP

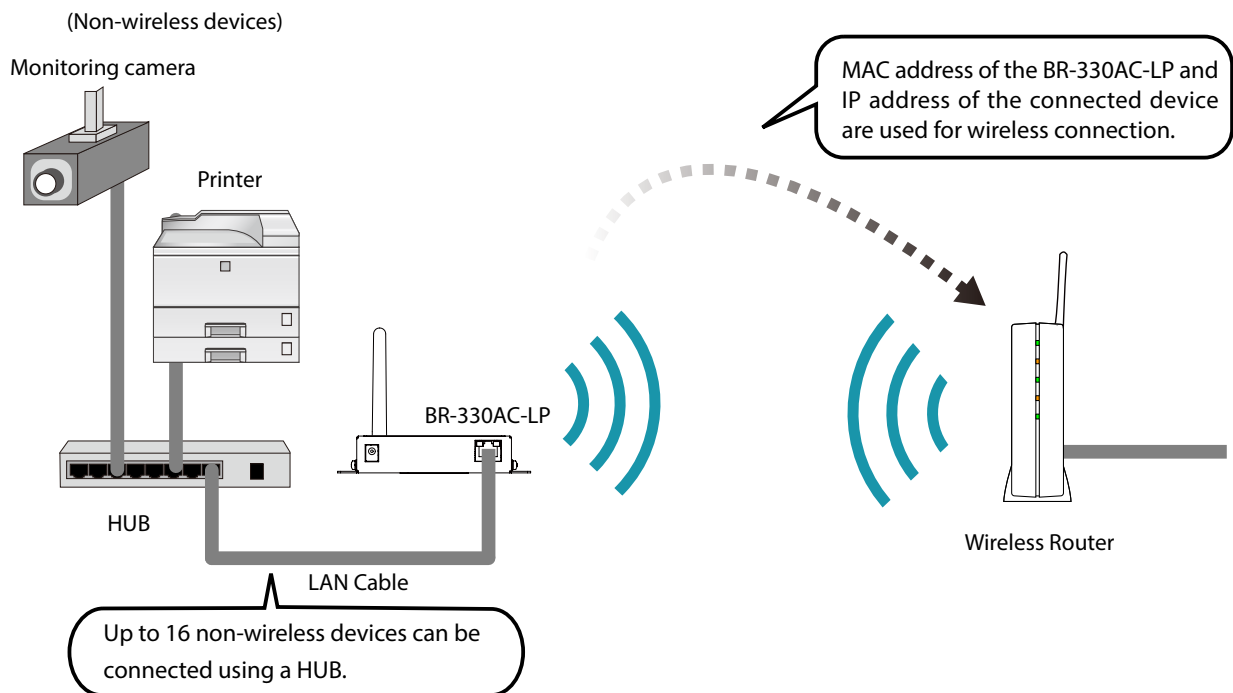
- Only one device can be connected to a LAN port.
- The following actions are treated as an error. If one of these occurs, the bridge function will abort.
  - Connecting multiple devices to a LAN port using a HUB
  - Changing the device connected to a LAN port to the other device while BR-330AC-LP is running.
- If the connection is lost on a LAN port while communication is in progress, wireless bridging will be disabled until it is reconnected.
- The devices with multiple MAC addresses cannot be used.
- Due to restrictions of the protocols, "View full map" of "Network and Sharing Center" is not fully supported on Windows 7.

## Multi-Client Mode

Use this mode when you connect multiple non-wireless devices to BR-330AC-LP.

By using a HUB on the LAN port, up to 16 devices can be connected.

For wireless LAN connection, the MAC address of the BR-330AC-LP and the IP address of the connected device will be used.



- The devices with multiple MAC addresses cannot be used.
- When Multi-Client Mode is on, only IPv4 and IPv6 are supported. The following protocols are not supported.
  - Protocols with a mechanism to check the source MAC address
  - Protocols with a system to run with a MAC address that is contained in the packet data

## 3-2. Configuration Method

---

There are 3 configuration methods as follows.

Please select the one appropriate for your environment.

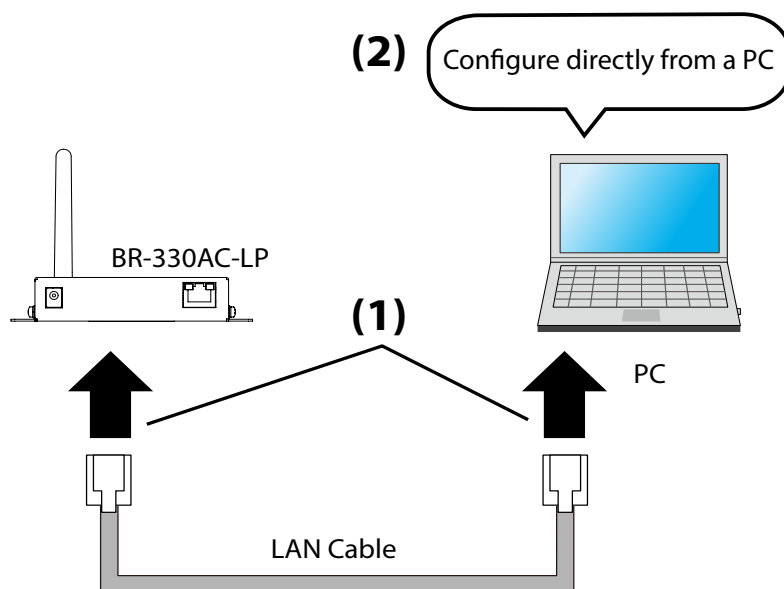
- Easy configuration using Configuration Mode
- Wireless configuration using Smart Wireless Setup (Push Switch)
- Wireless configuration using Smart Wireless Setup (PIN code)

## Easy Configuration Using Configuration Mode

In this configuration method, you connect the BR-330AC-LP to a PC using a LAN cable to configure the settings from the PC.

By connecting the BR-330AC-LP to the PC and starting it in Configuration Mode, the Web configuration interface can be accessed. Select the wireless router the BR-330AC-LP should wirelessly connect to and enter the Network Key on the configuration interface.

Depending on your environment, you may need to check the wireless LAN information beforehand.

**Note**

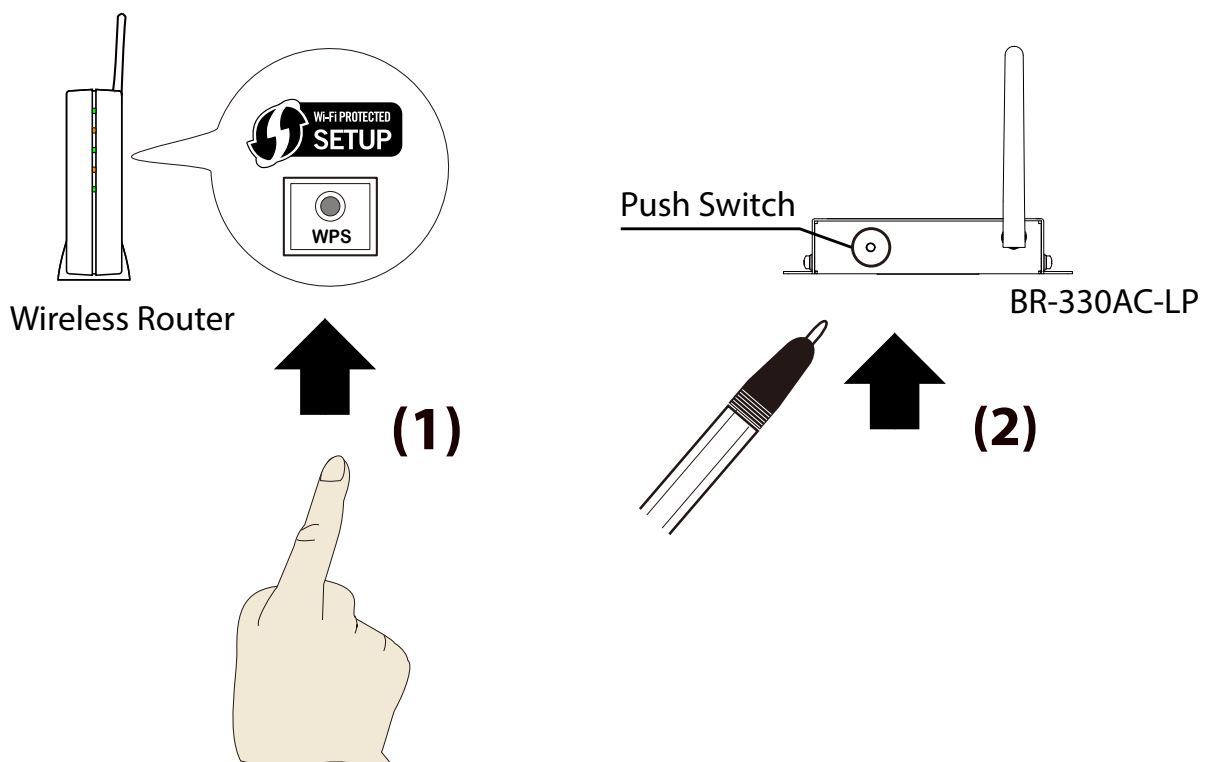
In this configuration method, only "**SSID**" and "**Network Key**" are needed to connect to a wireless LAN, however, further configuration is required in the following cases.

- Wireless router is operating in a stealth mode.
- Wireless router is using the Open authentication and the WEP key index other than "1".
- Too many wireless networks are active (up to 32 wireless networks can be shown by BR-330AC-LP).

## Wireless Configuration Using Smart Wireless Setup (Push Switch)

In this configuration method, you can automatically configure the wireless settings by pressing the wireless connection button on your wireless router and the push switch on BR-330AC-LP. You will not have to get wireless setting information beforehand, as configuration is automatically handled by the BR-330AC-LP and your wireless router.

For this configuration method, a wireless router supporting WPS(Wi-Fi Protected Setup) is required. To see if your wireless router supports WPS, refer to the operation manual that came with your wireless router or contact the manufacturer.



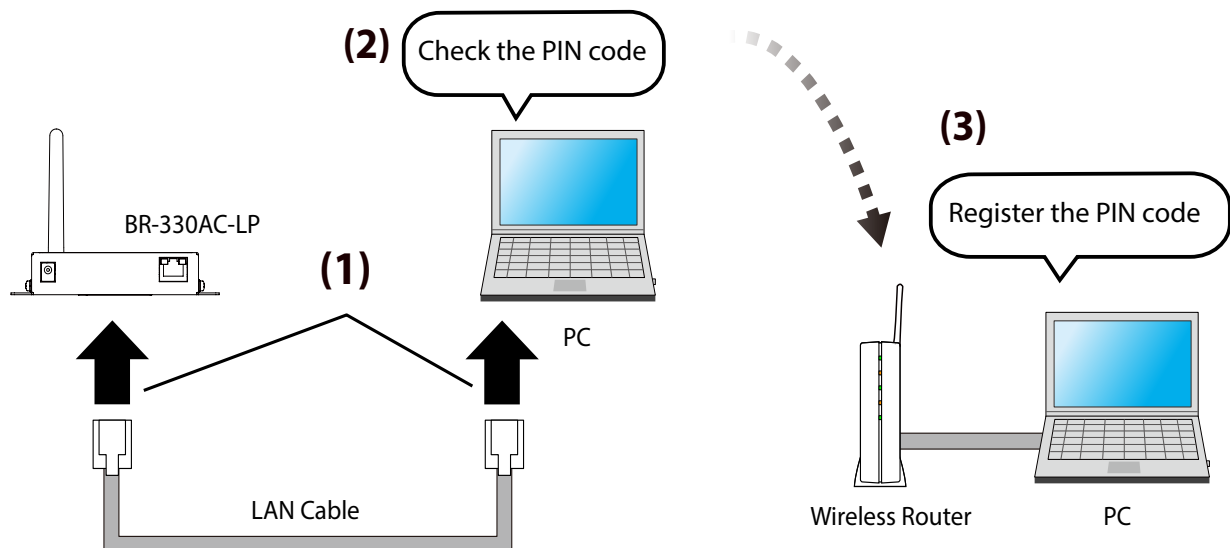


## Wireless Configuration Using Smart Wireless Setup (PIN Code)

In this configuration method, you can automatically configure the wireless settings by entering the PIN code of BR-330AC-LP on your wireless router.

The PIN code can be identified from the Web configuration interface of BR-330AC-LP. To access the Web configuration interface, connect the BR-330AC-LP directly to a PC using a LAN cable and start it in Configuration Mode.

You will not have to get wireless setting information beforehand, as configuration is automatically handled by the BR-330AC-LP and your wireless router. For this configuration method, a wireless router supporting WPS(Wi-Fi Protected Setup) is required. To see if your wireless router supports WPS, refer to the operation manual that came with your wireless router or contact the manufacturer.

**Note**

- Two PCs are required for this configuration; one for the BR-330AC-LP and the other one for your wireless router.

## 3-3. Necessary Wireless Setting Information

When you configure BR-330AC-LP using the Configuration Mode, the wireless settings need to be configured appropriately for your environment. As the same wireless settings must be configured for both BR-330AC-LP and your wireless router, you need to get the necessary setting information of your wireless router beforehand.



### Note

- If you plan to configure the BR-330AC-LP using Smart Wireless Setup, you will not have to get the wireless setting information.



### TIP

- The wireless setting information explained in this page is specific to your network and cannot be provided by Silex technical support. For how to confirm each setting, please refer to the operation manual that came with your router or contact the manufacturer.
- Depending on your wireless router, WPS may need to be enabled manually. For details, refer to the operation manual that came with your wireless router.
- If a security feature such as MAC Address filtering is enabled on your wireless router, change the setting so that BR-330AC-LP can communicate with your wireless router. For details, refer to the operation manual that came with your wireless router.
- For the IEEE802.1X authentication, refer to **5-2. IEEE802.1X Authentication**.

SSID	The SSID is an ID that distinguishes a wireless LAN network from others. For wireless devices to communicate with each other on a wireless network, they must share the same SSID. (The SSID is also referred to as "ESSID".) Depending on your wireless router, it may have several SSIDs. If there are different SSIDs for a game console and computer, use the one for the computer.	
Encryption Mode	No Encryption	Uses no encryption for wireless communication. (In this case, you do not have to get any of your settings beforehand.)
	WEP	If WEP encryption is used, wireless communication will be encrypted using the settings for "WEP Key 1-4" and "Key Index". Set the same "WEP Key Size(64bit/128bit)", "WEP Key" and "Key Index" as the wireless device you wish to connect.
	WPA / WPA2	Uses PSK for network authentication. The encryption key will be generated by communicating with the wireless router using a Pre-Shared key. WEP key setting is not used for this mode. Set the same "Pre-Shared key" and "Encryption Mode"(AUTO/AES*) as the wireless device you wish to connect. The Pre-Shared key is also referred to as "Network Key" or "Password". * For WPA2, only AES is supported.  For the Pre-Shared Key, 8-63 alphanumeric characters or 64 hexadecimal value (numbers 0-9 and letters A-F) can be used.

# 4. How to Configure BR-330AC-LP

---

This chapter explains how to configure BR-330AC-LP.

Following configuration methods are available:

- 1) Configuration using Configuration Mode
- 2) Configuration using Smart Wireless Setup (Push Switch)
- 3) Configuration using Smart Wireless Setup (PIN code)



- For details on each configuration method, refer to **3-2. Configuration Method**.

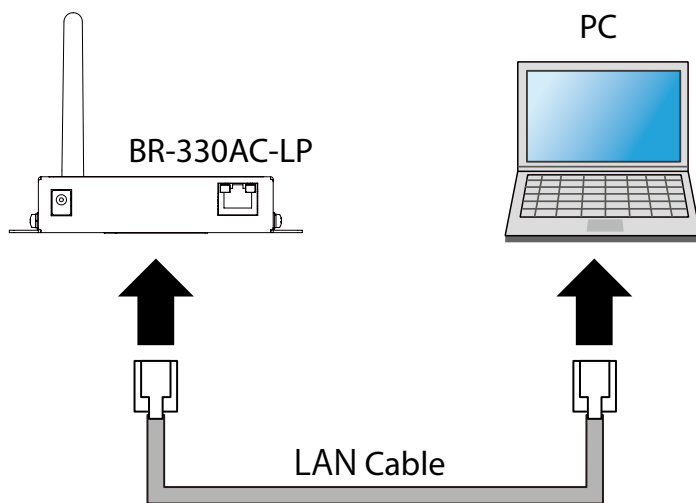
## **Note**

## 4-1. Easy Configuration Using Configuration Mode

How to configure BR-330AC-LP using the Configuration Mode is explained.

### Accessing Web Configuration Interface in Configuration Mode

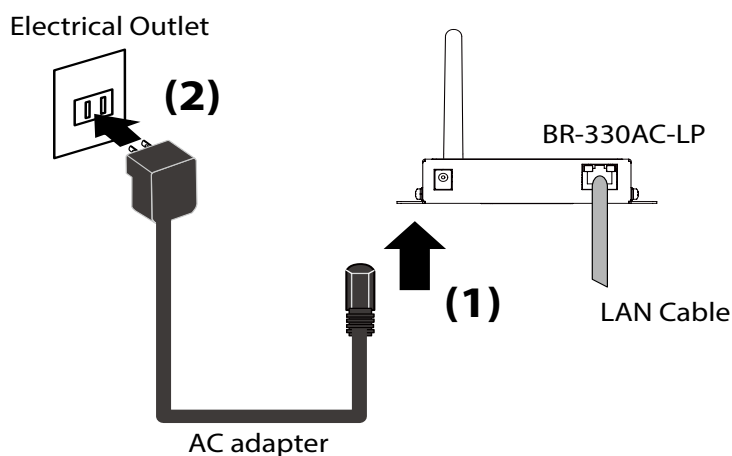
1. Connect BR-330AC-LP and the PC using a LAN cable.



- If a wireless LAN is enabled on your PC, please disable it.

**TIP**

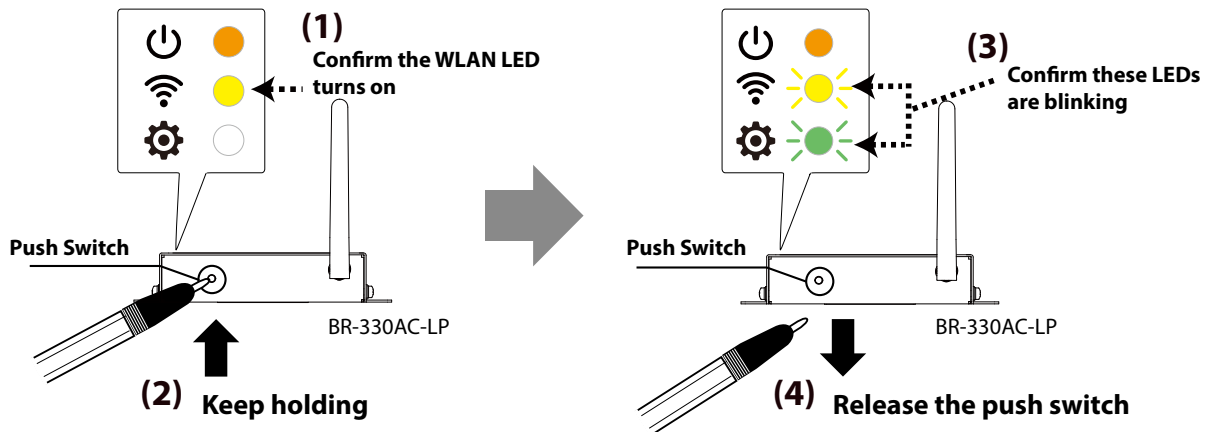
2. Connect the AC adapter to BR-330AC-LP, and the AC adapter's plug to an electrical outlet.



- 3.** When the POWER LED turns on and then the WLAN LED turns on, press and hold the push switch with a fine tipped object such as a pen or pencil.

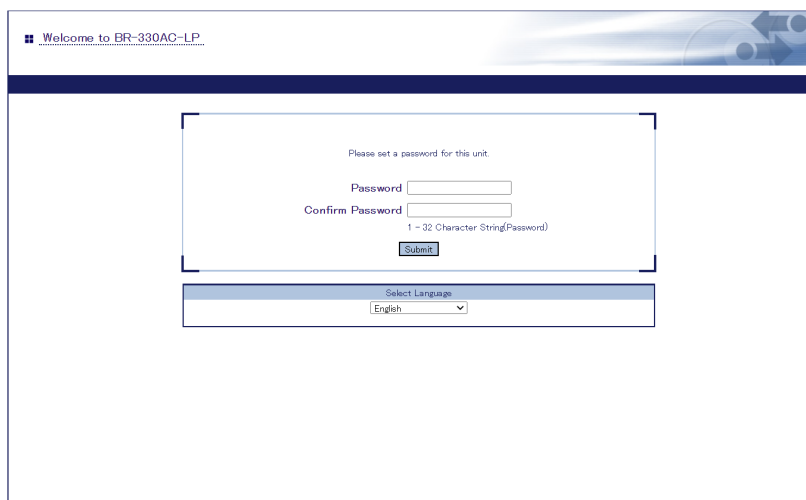
In 5 seconds, the WLAN LED and STATUS LED will start to blink together. Release the push switch then.

BR-330AC-LP will start running in the Configuration Mode and be ready to configure from the PC that has been connected to BR-330AC-LP via a LAN cable.



## Configuration

1. Start a Web browser on the PC you are using for the setup. When the login password configuration page appears, enter the login password to configure for BR-330AC-LP and click **Submit**.



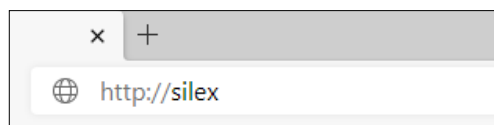
**TIP**

- The login password configuration is needed only when BR-330AC-LP is configured for the first time (or when BR-330AC-LP is initialized.)
- Recommended Web browsers: Microsoft Edge / Mozilla Firefox.



**Note**

- If the Web page is not displayed, enter "**http://silex**" in the address bar of the Web browser and press the Enter key.



- The display of the Web page may differ depending on your environment and Web browser.

## 2. The login page is displayed.

Enter the password you have configured and click **Login**.

## 3. Select the destination network from **Wireless Network List** and enter the WEP Key or Shared Key for **Network Key**.

Click **Submit** when finished.

Wireless Network List	Signal Strength	Channel	BSSID
<input type="radio"/> Silex	132	11ac	
<input type="radio"/> Silex-01	11	11ng	
<input type="radio"/> Silex-02	36	11ac	
<input type="radio"/> Silex-03	48	11ac	
<input type="radio"/> Silex-04	48	11ac	
<input type="radio"/> Silex-05	36	11na	
<input type="radio"/> Silex-06	11	11ng	



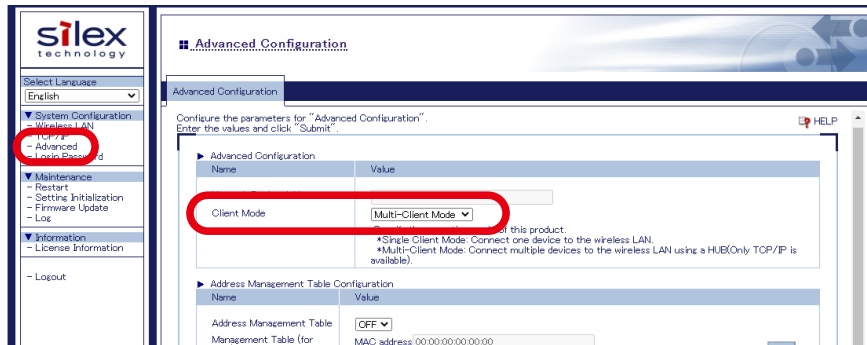
**TIP**

- To start the configuration, the PC and BR-330AC-LP need to communicate each other properly.
- Confirm that an IP Address is correctly configured to the PC.
- If a static IP address is set to the PC, the Web configuration interface cannot be displayed in the following cases:
  - An IP address of the different segment is entered to the address bar, when the default gateway address is not configured to the PC.
  - A URL ("www.sillextechnology.com", etc.) is entered to the address bar when the name resolution is disabled (DNS server address is not registered or NetBIOS is disabled).



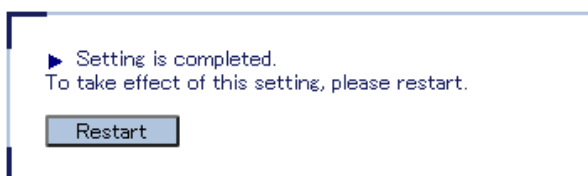
### Note

- For network key, usable characters will differ depending on the wireless router to connect.
- For WEP key, enter 5 or 13 characters or 10 or 26 digit hexadecimal value. For details, refer to **WEP Key 1-4** at **A-1. List of All Settings**.
- For Pre-Shared key, enter 8-63 characters or 64 hexadecimal value. For details, refer to **Pre-Shared Key** at **A-1. List of All Settings**.
- To connect multiple network devices using an Ethernet HUB, click **Advanced** and select **Multi-Client Mode for Client Mode**.



- If the wireless router is operating in a stealth mode, it is not displayed at **Wireless Network List**. In such a case, click **Detailed Configuration** on the top, enter the detailed setting information of the wireless router and click **Submit**. For details on each setting, please refer to the HELP on Web configuration interface.
- To use the IEEE802.1X authentication, click **Detailed Configuration** on the top, enter the detailed setting information of the wireless router and click **Submit**. For details on each setting, please refer to the HELP on Web configuration interface.
- Up to 32 wireless routers can be displayed at **Wireless Network List**.
- If the wireless router you wish to connect is not displayed in the list, you may have reached the maximum number of wireless devices that BR-330AC-LP can detect and show in the list.

#### 4. When the confirmation message is displayed, click **Restart** to restart BR-330AC-LP.



#### 5. BR-330AC-LP is restarted to take effect of the new setting. The configuration has been completed.

To give a wireless feature to the same PC (the one you have been using for configuration), please restart the PC.

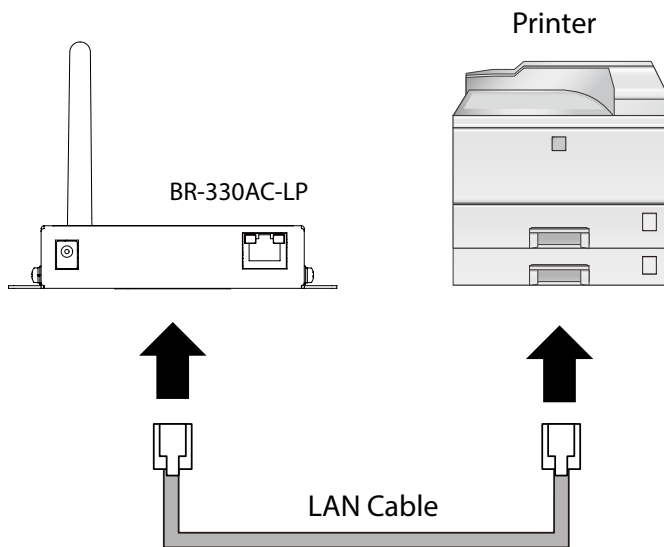
To give a wireless feature to the other device, turn off BR-330AC-LP, and remove it from the PC. For details, refer to **Connecting Non-wireless Devices** to connect BR-330AC-LP to the network device using a LAN cable.



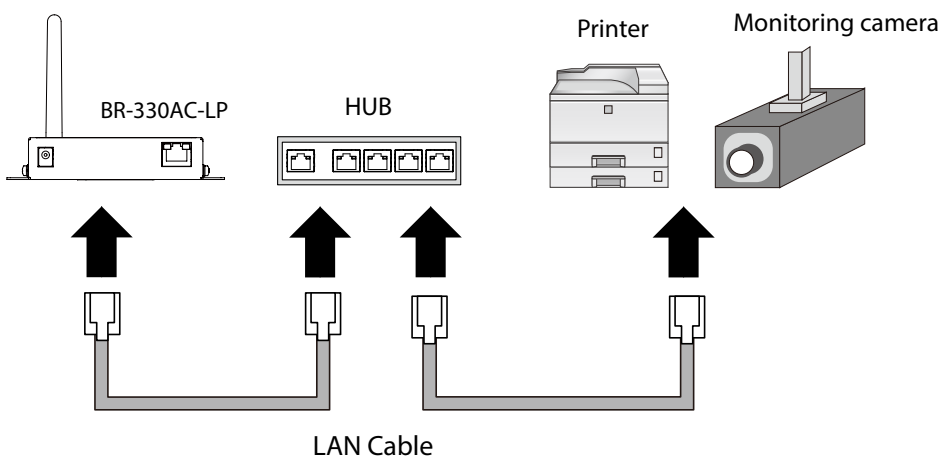
## Connecting Non-wireless Devices

1. Turn off the non-wireless device that you wish to use wirelessly and connect the BR-330AC-LP to it using a LAN cable. The connection method will vary depending on each operating mode.

### How to Connect in Single Client Mode



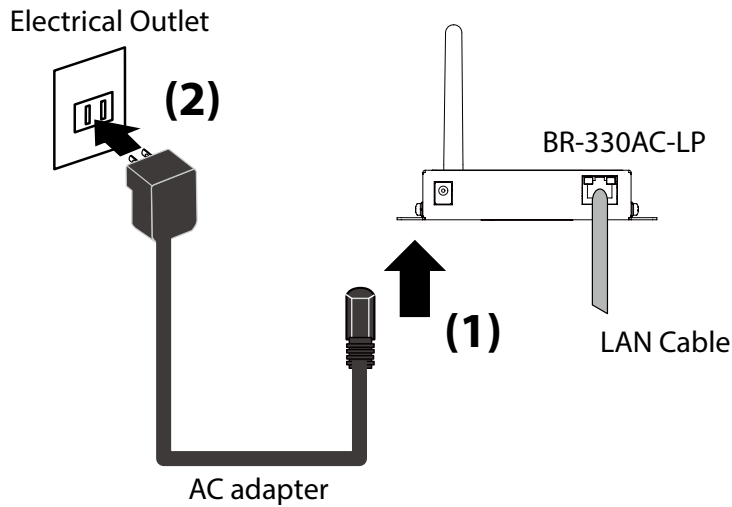
### How to Connect in Multi-Client Mode



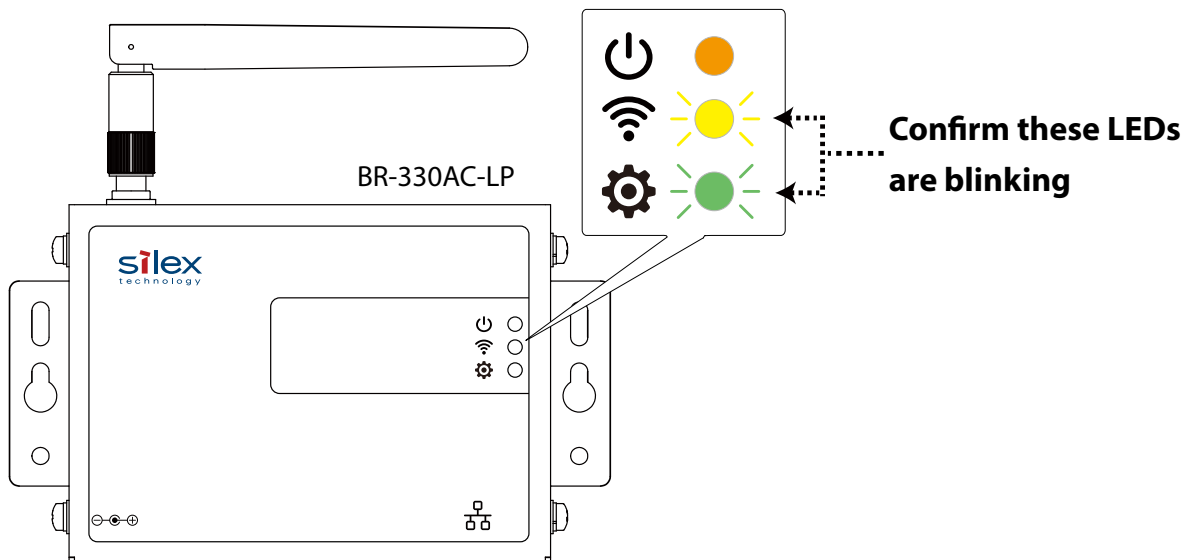
- For details on each operating mode, refer to **3-1. Operating Mode**.

#### Note

2. Connect the AC adapter to the BR-330AC-LP and the AC plug to the outlet.



3. Turn on the non-wireless device connected to the BR-330AC-LP. During the MAC address resolution, the WLAN LED and STATUS LED will flash alternately. When the LED status has changed from it, the BR-330AC-LP will be ready to use. You can use the non-wireless device over a wireless network.



**Note**

- Depending on the non-wireless device you have connected, further network settings may need to be configured to that device. In such a case, please configure it according to the operating manual that came with your device.
- When you turn on the BR-330AC-LP and your non-wireless device, be sure to turn on the BR-330AC-LP first. Do not press the push switch then.

## 4-2. Configuration Using Smart Wireless Setup (Push Switch)

The wireless settings can be configured easily using the push switch if your wireless router supports WPS(Wi-Fi Protected Setup). How to configure the wireless settings using the push switch is explained below.



- Please check that the wireless router supporting WPS is installed on your network.
- This configuration method is not available if the wireless router is operating in a stealth mode.
- To ensure proper communication during this configuration, please temporarily move the BR-330AC-LP closer to the wireless router.
- The WPS feature may need to be enabled on your wireless router manually. For details, see the operating manual that came with your wireless router.
- If a security feature such as MAC address filtering is enabled on your wireless router, disable it temporarily.
- To connect multiple devices using a HUB, use **Multi-Client Mode**. See **5-1. How to Access Web Configuration Interface** to change the operating mode.

## Configuration

When the operating mode is **Single Client Mode**, you need to connect a non-wireless device to the BR-330AC-LP in order to start the configuration.

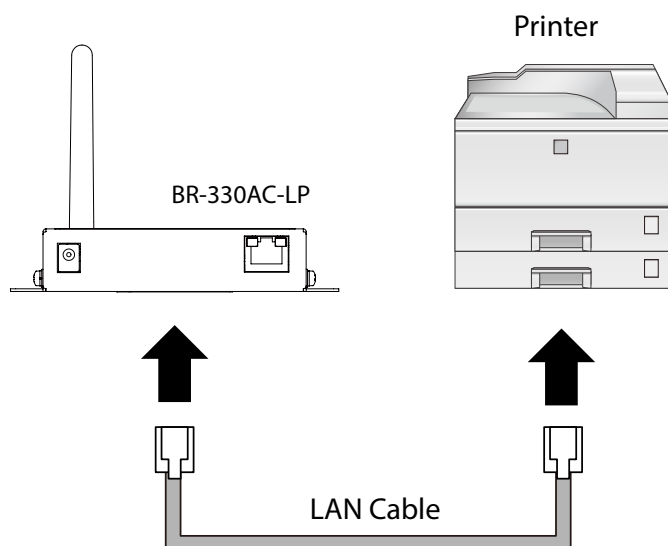
When the operating mode is **Multi-Client Mode**, you do not have to connect a non-wireless device. In such a case, start from **2** in this section.



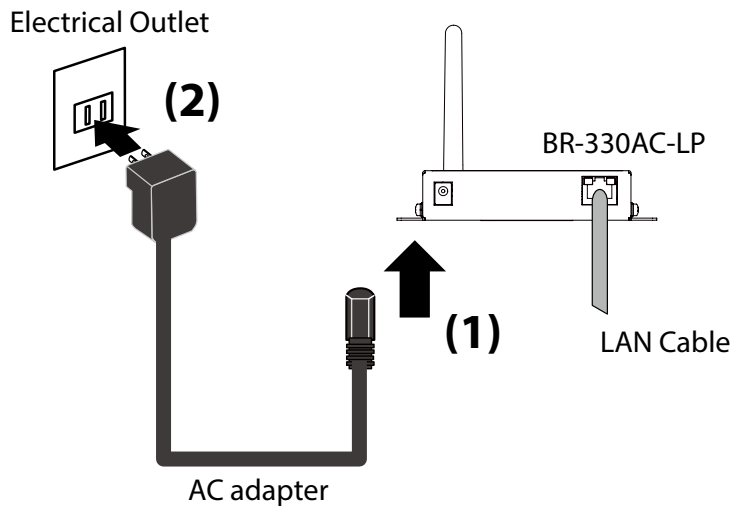
**Note**

- By default, the operating mode is set to **Multi-Client Mode**.
- To see which operating mode your BR-330AC-LP is running on, start the BR-330AC-LP in the Configuration Mode and access the Web page.

- 1.** Turn off the non-wireless device that you wish to use wirelessly and connect the BR-330AC-LP to it using a LAN cable.

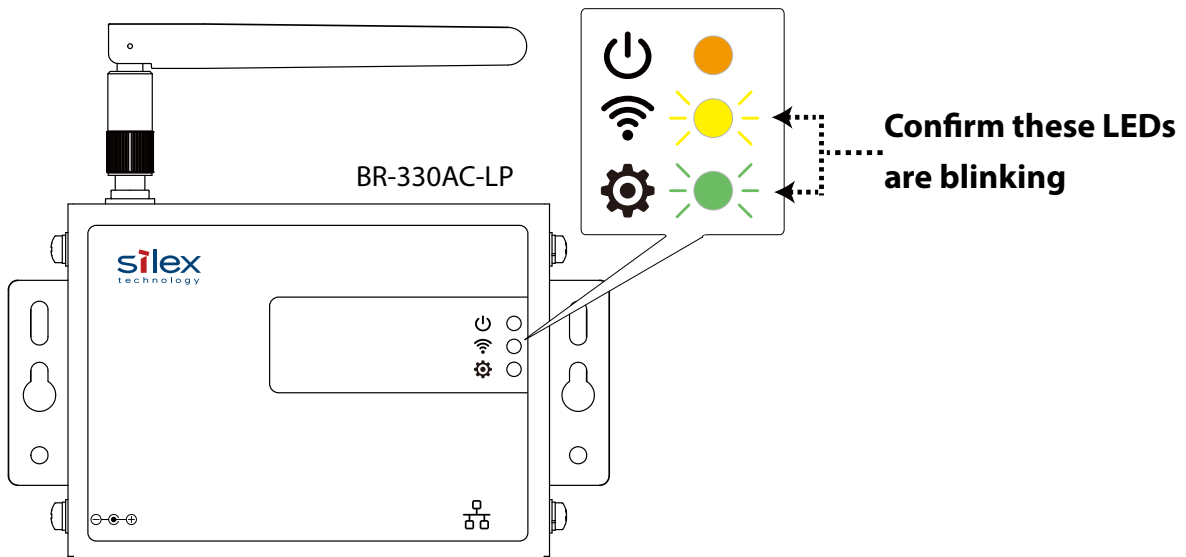


## 2. Connect the AC adapter to the BR-330AC-LP and the AC plug to the outlet.



## 3. Turn on the non-wireless device connected to the BR-330AC-LP.

During the MAC address resolution, the WLAN LED and STATUS LED will flash alternately. When the LED status has changed from it, the BR-330AC-LP will be ready to configure using Smart Wireless Setup.

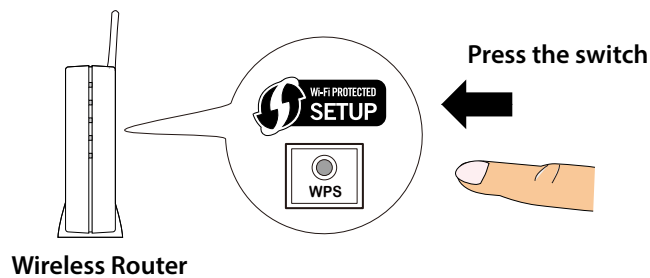


### Note

- Depending on the non-wireless device you have connected, further network settings may need to be configured to that device. In such a case, please configure it according to the operating manual that came with your device.
- When you turn on the BR-330AC-LP and your non-wireless device, be sure to turn on the BR-330AC-LP first. Do not press the push switch then.

**4.** Press the WPS button on your wireless router.

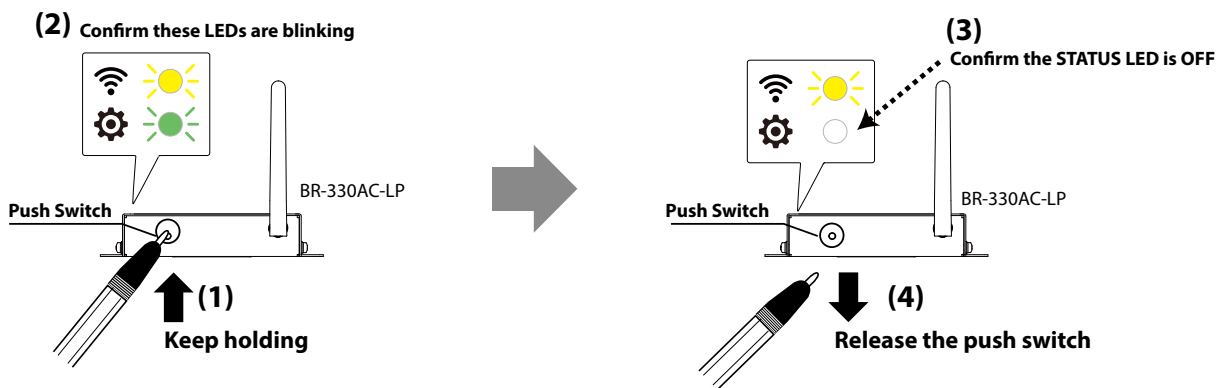
Confirm that your wireless router is ready for a wireless connection to be made.



- The name, position and shape of the WPS button will differ depending on your wireless router. For details, refer to the operation manual that came with your wireless router.
- Please use only one wireless router. If two or more wireless routers are waiting for wireless connections, BR-330AC-LP will not be able to connect properly.

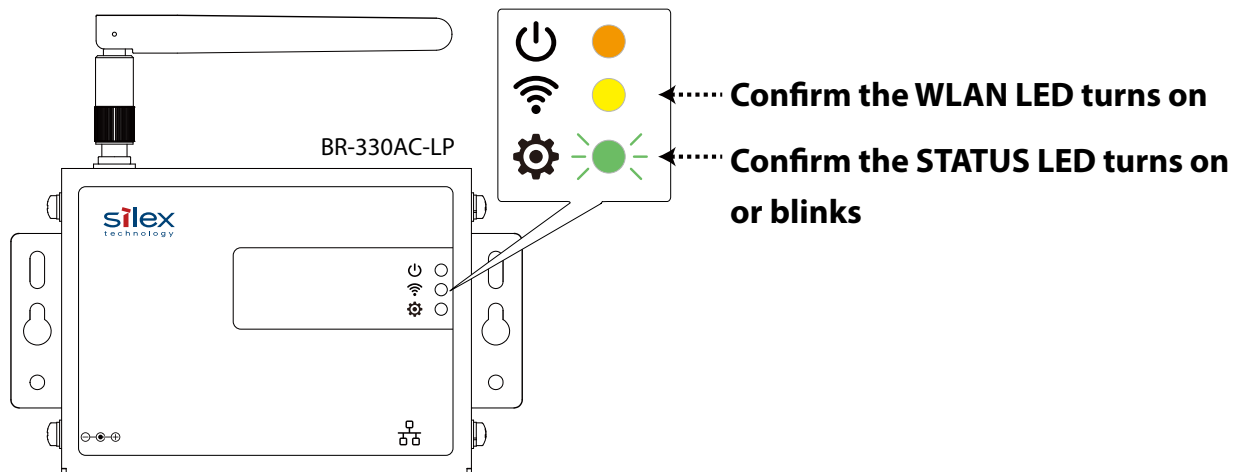
**5.** Press and hold the push switch at the top of BR-330AC-LP. The WLAN LED and STATUS LED will start to blink together.

Keep holding it for 5 seconds. When the WLAN LED continues to blink while the STATUS LED turns off, release the push switch.



**6.** BR-330AC-LP will start to communicate with your wireless router.

When the wireless configuration is successfully completed, the WLAN LED turns on and the STATUS LED turns on or blinks.

**Note**

- It may take a while to complete the wireless configuration depending on your environment.
  - When wireless configuration has failed, the WLAN LED will flash rapidly.
- In such a case, read the instructions carefully and start from **4** again.

If you plan to use BR-330AC-LP in **Single Client Mode**, you can keep using the connected non-wireless device to use it wirelessly.

To replace it with the other non-wireless device, turn off the BR-330AC-LP and replace the connected non-wireless device to it. See **Connecting Non-wireless Devices** for how to connect the BR-330AC-LP and non-wireless device using a LAN cable.

To change the operating mode, start the BR-330AC-LP in configuration mode. For details, refer to **5-1. How to Access Web Configuration Interface**.

## 4-3. Configuration Using Smart Wireless Setup(Pin Code)

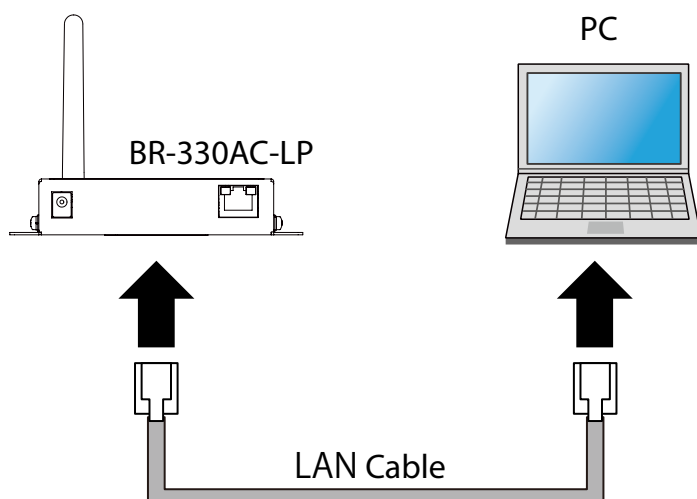
The wireless settings can be configured easily using the PIN code when your wireless router supports WPS(Wi-Fi Protected Setup). How to configure the wireless settings using the PIN code is explained below.



- Please check that the wireless router supporting WPS is installed on your network.
- This configuration method is not available if the wireless router is operating in a stealth mode.
- To ensure proper communication during this configuration, please temporarily move the BR-330AC-LP closer to the wireless router.
- The WPS feature may need to be enabled on your wireless router manually. For details, see the operating manual that came with your wireless router.
- If a security feature such as MAC address filtering is enabled on your wireless router, disable it temporarily.
- To connect multiple devices using a HUB, use **Multi-Client Mode**. See **5-1. How to Access Web Configuration Interface** to change the operating mode.

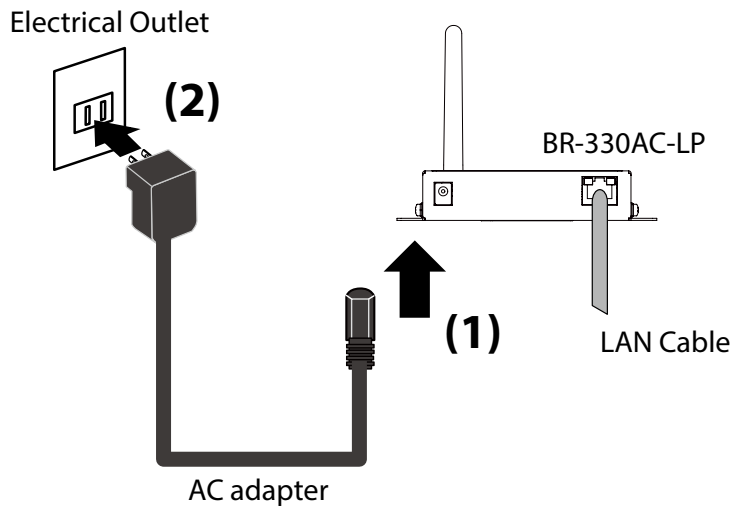
### Accessing Web Configuration Interface in Configuration Mode

1. Connect BR-330AC-LP and the PC using a LAN cable.

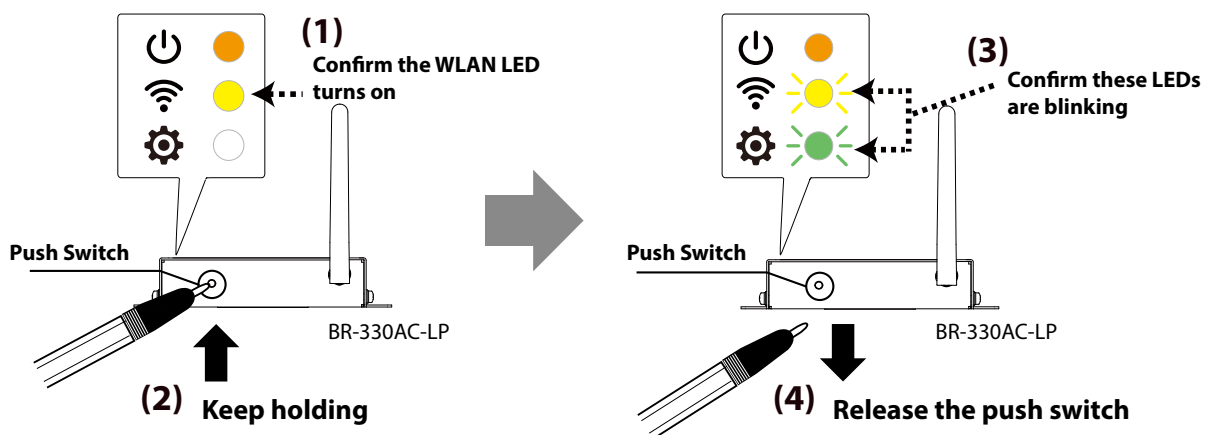




2. Connect the AC adapter to BR-330AC-LP, and the AC adapter's plug to an electrical outlet.



3. When the POWER LED turns on and then the WLAN LED turns on, press and hold the push switch with a fine tipped object such as a pen or pencil.  
In 5 seconds, the WLAN LED and STATUS LED will start to blink together. Release the push switch then.  
BR-330AC-LP will start running in the Configuration Mode and be ready to configure from the PC that has been connected to BR-330AC-LP via a LAN cable.



## Checking a PIN Code

1. Start a Web browser on the PC you are using for the setup. When the login password configuration page appears, enter the login password to configure for BR-330AC-LP and click **Submit**.

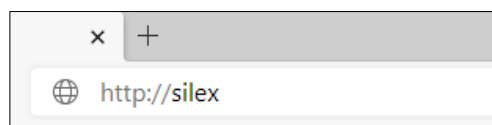


- The login password configuration is needed only when BR-330AC-LP is configured for the first time (or when BR-330AC-LP is initialized.)
- Recommended Web browsers: Microsoft Edge / Mozilla Firefox.



### Note

- If the Web page is not displayed, enter "**http://silex**" in the address bar of the Web browser and press the Enter key.



- The display of the Web page may differ depending on your environment and Web browser.

## 2. The login page is displayed.

Enter the password you have configured and click **Login**.

Welcome to BR-330AC-LP

Enter the password, and click [Login]

Password

Login

Select Language  
English

## 3. The Web page of BR-330AC-LP is displayed.

Wireless LAN Configuration

Easy Configuration Detailed Configuration Smart Wireless Setup

The following is the procedure to configure the wireless LAN settings.

1. Select a wireless network.

Wireless Network List	Search Wireless Networks	SSID	Channel	Mode
<input type="radio"/> Silex		192	11ac	
<input type="radio"/> Silex-01		11	11n	
<input type="radio"/> Silex-02		36	11ac	
<input type="radio"/> Silex-03		48	11ac	
<input type="radio"/> Silex-04		48	11ac	
<input type="radio"/> Silex-05		36	11n	
<input type="radio"/> Silex-06		11	11n	

\* SSIDs that can not be selected are either unconnectable settings or Enterprise settings. For the Enterprise settings, please set in the Detailed Configuration.

2. Enter the Network Key.

3. Save the configuration and reboot this product.

Submit

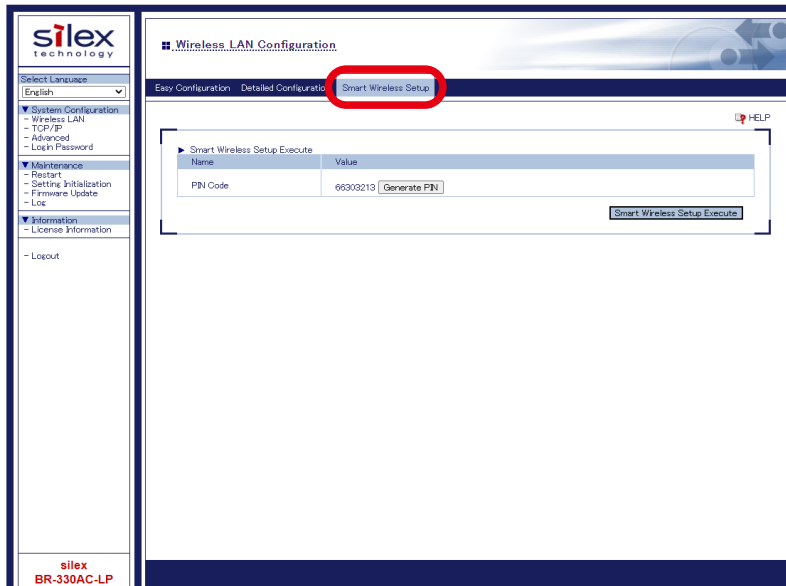
silex  
BR-330AC-LP



**TIP**

- To start the configuration, the PC and BR-330AC-LP need to communicate each other properly.
- Confirm that an IP Address is correctly configured to the PC.
- If a static IP address is set to the PC, the Web configuration interface cannot be displayed in the following cases:
  - An IP address of the different segment is entered to the address bar, when the default gateway address is not configured to the PC.
  - A URL ("www.silextechnology.com", etc.) is entered to the address bar when the name resolution is disabled (DNS server address is not registered or NetBIOS is disabled).

4. In the Web configuration interface, click **Smart Wireless Setup** and check the PIN code. Keep this screen displayed as it will be used again at **Configuration** in the next page. Do not click the **Smart Wireless Setup Execute** yet.



- Do not click the **Smart Wireless Setup Execute** yet. It will need to be clicked at **Configuration** in the next page.

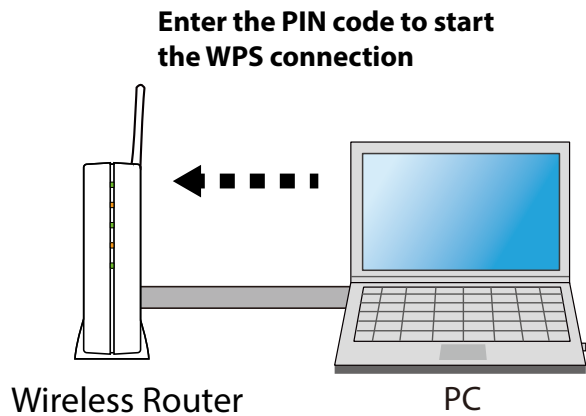


**Note**

- To change the PIN code, click the **Generate PIN**. A new PIN code will be generated automatically.

## Configuration

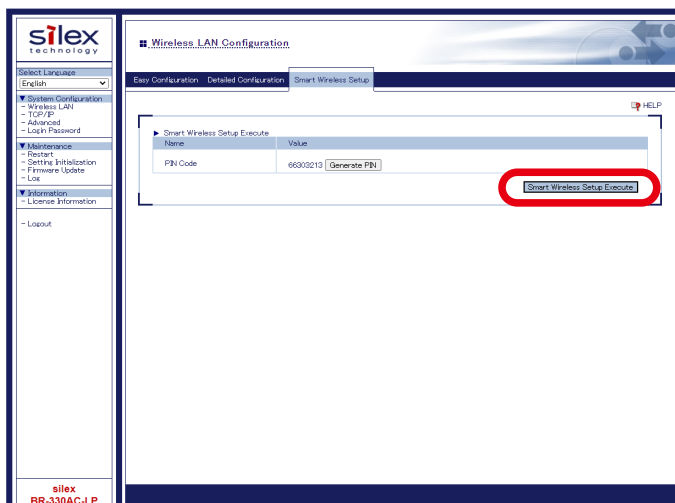
1. Access the Web configuration interface of the wireless router using a Web browser on your PC. Enter the PIN code and start the WPS connection from the wireless router.



### Note

- The method to enter the PIN code on wireless router will differ depending on each wireless router. For details, refer to the operating manual that came with your wireless router.

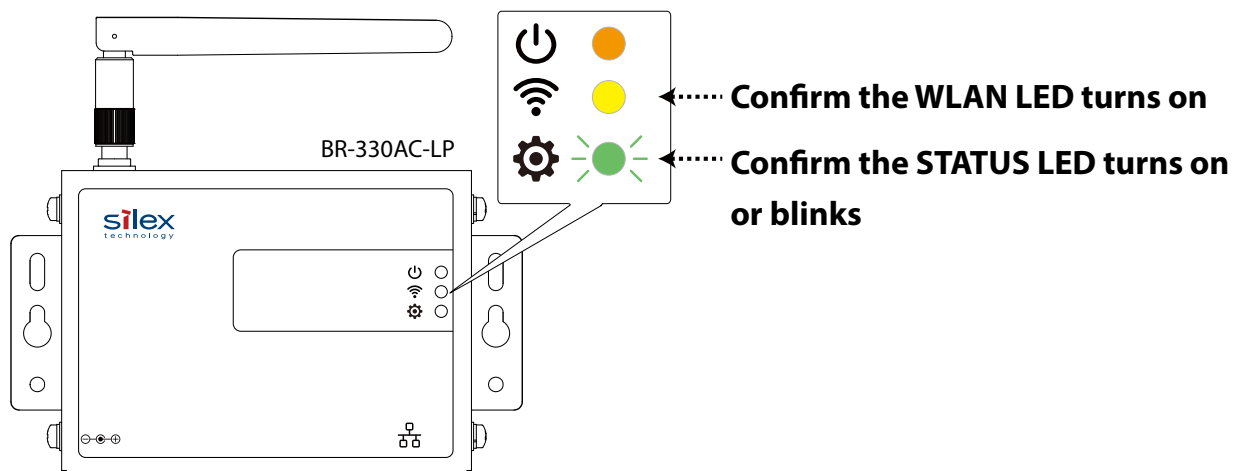
2. Go back to the **Smart Wireless Setup** page of the BR-330AC-LP and click the **Smart Wireless Setup Execute**.



### TIP

- If Smart Wireless Setup is started on the BR-330AC-LP earlier than the wireless router, the configuration may fail.

- 3.** BR-330AC-LP will start to communicate with your wireless router.  
When the wireless configuration is successfully completed, the WLAN LED turns on and the STATUS LED turns on or blinks.



**Note**

- It may take up to 2 min to finish the wireless configuration depending on your environment.
  - When wireless configuration has failed, the WLAN LED will flash rapidly.
- In such a case, read the **TIP** at the beginning of **4-3. Configuration Using Smart Wireless Setup(Pin Code)** and try again.
- To change the PIN code, see **Checking a PIN Code**.

To give a wireless feature to the same PC (the one you have been using for configuration), please restart the PC.

To give a wireless feature to the other device, turn off BR-330AC-LP, and remove it from the PC. For details, refer to **Connecting Non-wireless Devices** to connect BR-330AC-LP to the network device using a LAN cable.

# 5. List of Functions

This chapter explains the BR-330AC-LP functions.

## 5-1. How to Access Web Configuration Interface

The Configuration Mode is used when you access the Web configuration interface of BR-330AC-LP. In the Web configuration interface, each setting can be configured.

How to start the BR-330AC-LP in Configuration Mode as well as access the Web configuration interface are explained.



### Note

- When the IP address is set to BR-330AC-LP, the Web configuration interface can also be accessed in Normal Mode by entering the IP address to the Web browser.
- The IP address of BR-330AC-LP can be identified using AMC Manager®.
- For how to download AMC Manager®, refer to **A-3. What's AMC Manager®?**.

The screenshot displays the 'Wireless LAN Configuration' page in the Silex web interface. The page is divided into three tabs: 'Easy Configuration', 'Detailed Configuration', and 'Smart Wireless Setup'. The 'Easy Configuration' tab is active, showing a list of wireless networks to select. The list includes SSIDs like 'Silex', 'Silex-01', 'Silex-02', 'Silex-03', 'Silex-04', 'Silex-05', and 'Silex-06', each with a signal strength indicator, channel number, and mode (e.g., 11ac, 11n). A 'Submit' button is visible at the bottom of the configuration steps.

**1. Select a wireless network.**

Wireless Network List	Signal Strength	Channel	Mode
<input type="radio"/> Silex	132	11ac	
<input type="radio"/> Silex-01	11	11n	
<input type="radio"/> Silex-02	36	11ac	
<input type="radio"/> Silex-03	48	11ac	
<input type="radio"/> Silex-04	48	11ac	
<input type="radio"/> Silex-05	36	11n	
<input type="radio"/> Silex-06	11	11n	

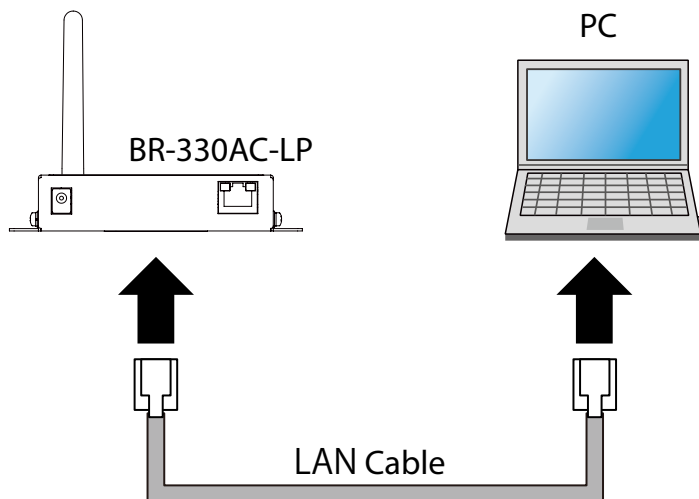
**2. Enter the Network Key.**

**3. Save the configuration and reboot this product.**

\* SSIDs that can not be selected are either unconnectable settings or Enterprise settings. For the Enterprise settings, please set in the Detailed Configuration.

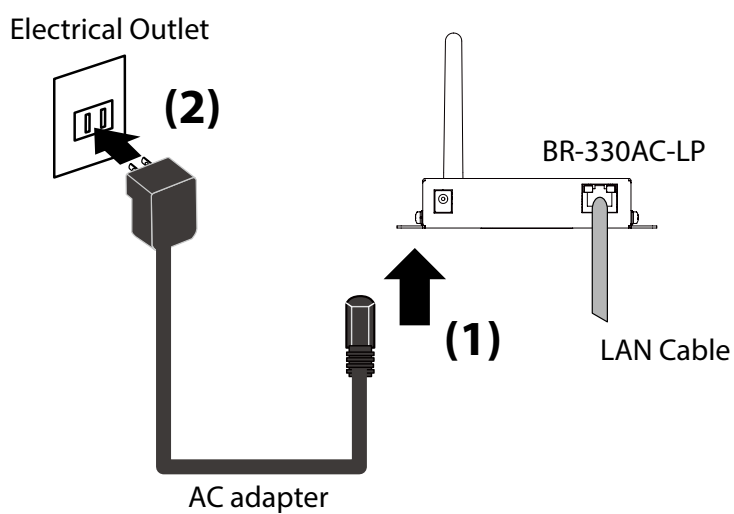
## Accessing Web Configuration Interface in Configuration Mode

1. Connect BR-330AC-LP and the PC using a LAN cable.



- TIP**
- To start the configuration, the PC and BR-330AC-LP need to communicate each other properly.
  - Confirm that an IP Address is correctly configured to the PC.
  - If a wireless LAN is enabled on your PC, please disable it.

2. Connect the AC adapter to BR-330AC-LP, and the AC adapter's plug to an electrical outlet.

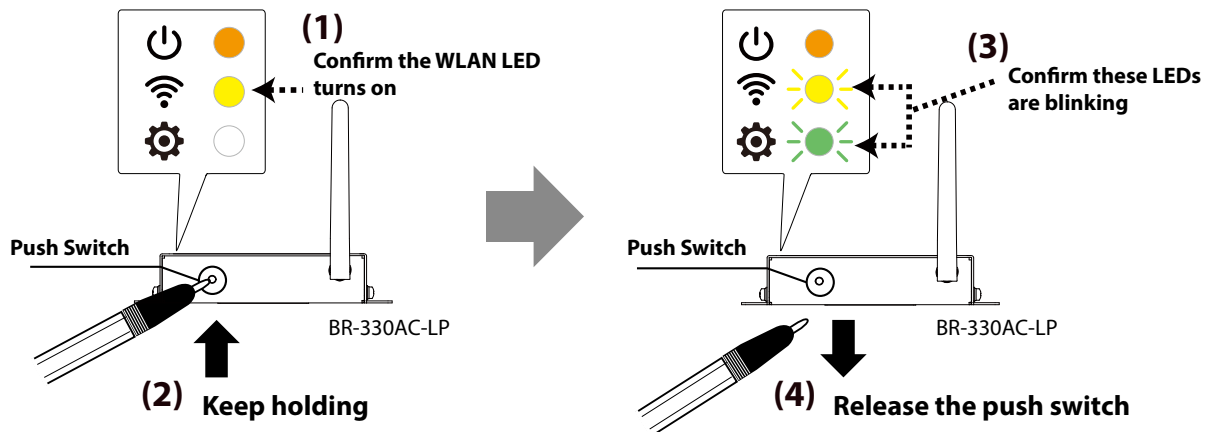




- 3.** When the POWER LED turns on and then the WLAN LED turns on, press and hold the push switch with a fine tipped object such as a pen or pencil.

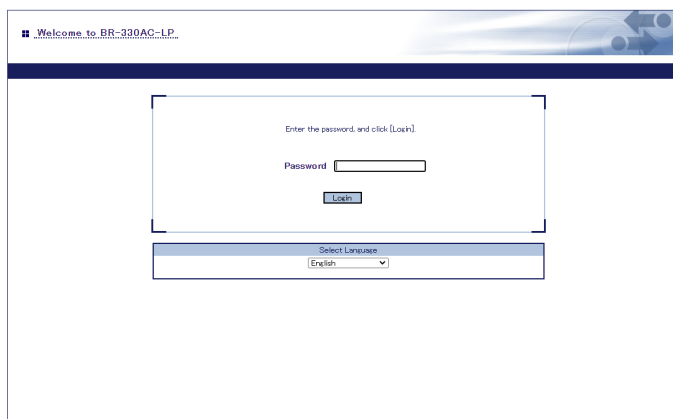
In 5 seconds, the WLAN LED and STATUS LED will start to blink together. Release the push switch then.

BR-330AC-LP will start running in the Configuration Mode and be ready to configure from the PC that has been connected to BR-330AC-LP via a LAN cable.



## Configuration via Web Configuration Interface

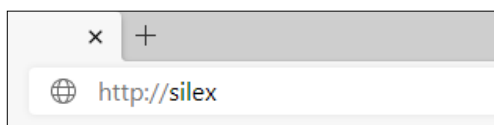
1. Start a Web browser on the PC you are using for the setup. When the login page appears, enter the password you have configured and click **Login**.

**TIP**

- Recommended Web browsers: Microsoft Edge / Mozilla Firefox.
- If a static IP address is set to the PC, the Web configuration interface cannot be displayed in the following cases:
  - An IP address of the different segment is entered to the address bar, when the default gateway address is not configured to the PC.
  - A URL ("www.silextechnology.com", etc.) is entered to the address bar when the name resolution is disabled (DNS server address is not registered or NetBIOS is disabled).

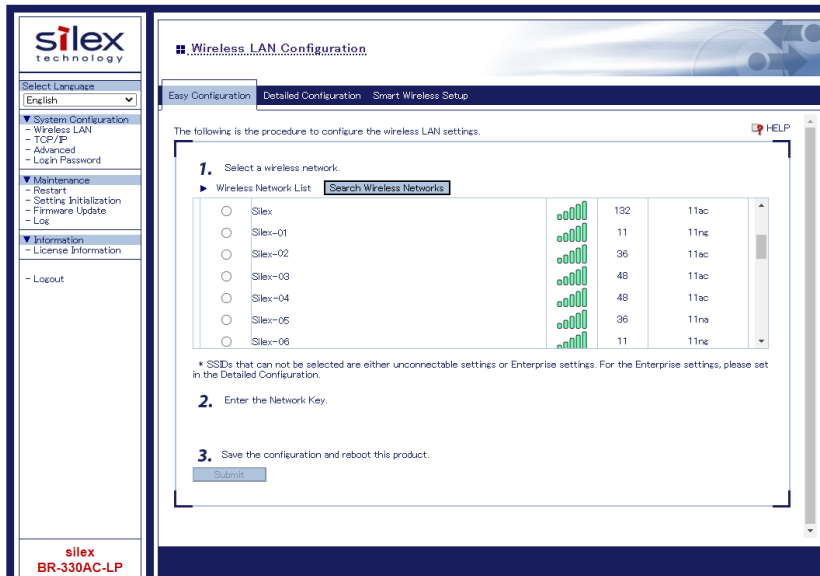
**Note**

- If the web page is not displayed, enter "**http://silex**" in the address bar of the Web browser and press the Enter key.



- The display of the Web page may differ depending on your environment and Web browser.

2. The Web configuration interface of BR-330AC-LP is displayed. In the Web configuration interface, the operating mode, wireless setting, etc. can be changed.



The screenshot displays the 'Wireless LAN Configuration' page in the Silex Technology web interface. The page is divided into three tabs: 'Easy Configuration', 'Detailed Configuration', and 'Smart Wireless Setup'. The 'Easy Configuration' tab is active, showing a step-by-step guide for configuring wireless LAN settings. The first step is 'Select a wireless network', which includes a 'Wireless Network List' table. The table lists various SSIDs and their corresponding BSSIDs and channels. A 'Submit' button is located at the bottom of the configuration area.

SSID	BSSID	Channel
<input type="radio"/> Silex	132	11ac
<input type="radio"/> Silex-01	11	11n
<input type="radio"/> Silex-02	36	11ac
<input type="radio"/> Silex-03	48	11ac
<input type="radio"/> Silex-04	48	11ac
<input type="radio"/> Silex-05	36	11n
<input type="radio"/> Silex-06	11	11n

\* SSIDs that can not be selected are either unconnectable settings or Enterprise settings. For the Enterprise settings, please set in the Detailed Configuration.

2. Enter the Network Key.

3. Save the configuration and reboot this product.

Submit



- BR-330AC-LP needs to be restarted for changes to take effect.

### Note

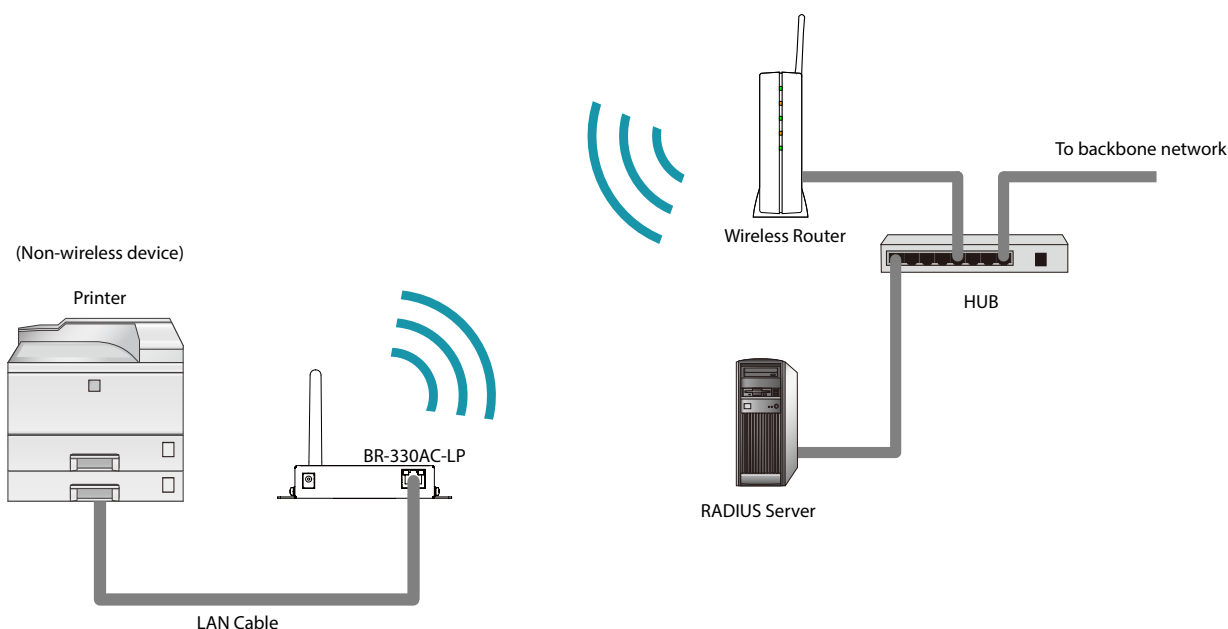
## 5-2. IEEE802.1X Authentication

BR-330AC-LP supports the IEEE802.1X authentication.

To use the IEEE802.1X authentication, a RADIUS server is needed.

### Network Configuration

Connect the BR-330AC-LP to a network as below when you use the IEEE802.1X authentication. The RADIUS server identifies the reliability of BR-330AC-LP as an authentication host, while BR-330AC-LP identifies the reliability of RADIUS server as an authentication client to identify the reliability of the network to connect to.



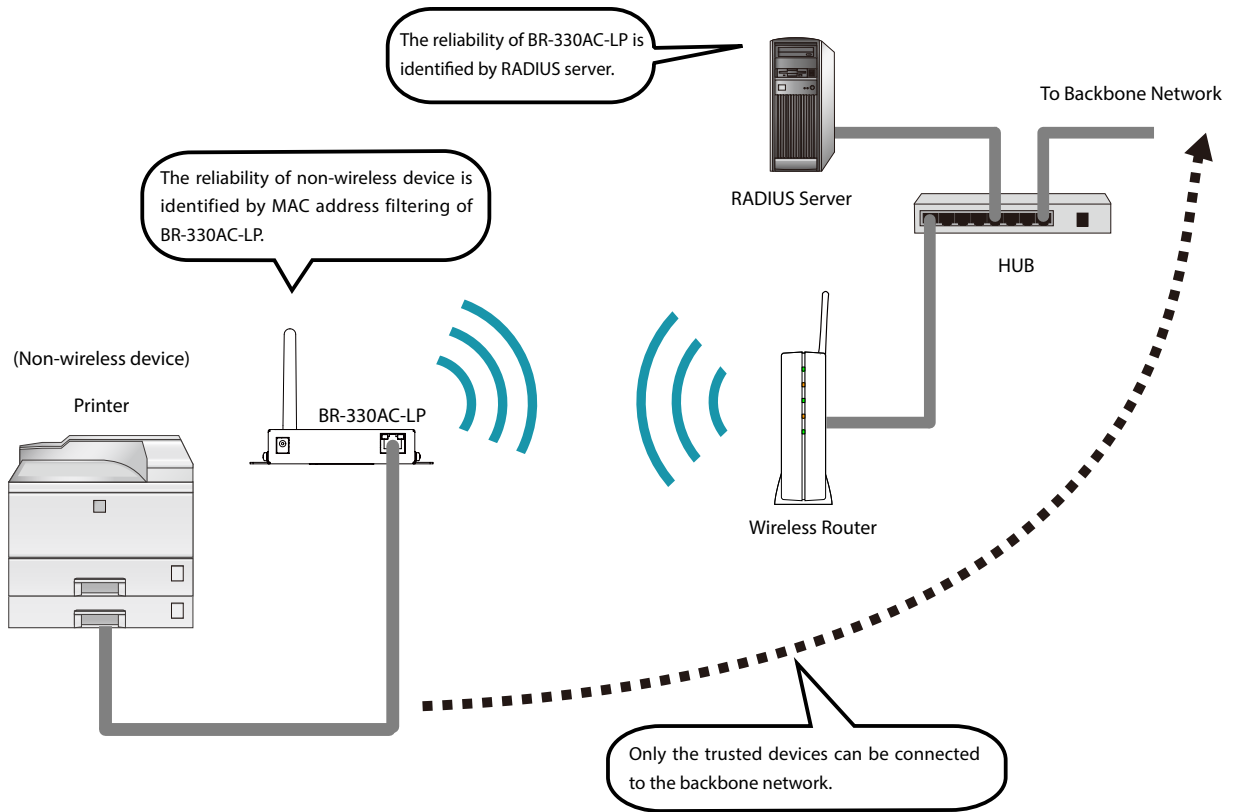
When using the authentication method that requires a certificate, get the necessary certificate issued by the certificate authority and import it to the BR-330AC-LP.

To use this function, register the MAC address of non-wireless device with BR-330AC-LP. The reliability of non-wireless devices connected to BR-330AC-LP is identified using the MAC address filtering.



- IEEE802.1X authentication is supported only for wireless network.

**TIP**



## IEEE802.1X Authentication

BR-330AC-LP supports the following IEEE802.1X authentication methods. These can be set using the Web page.

IEEE802.1X Authentication mode
EAP-TLS
EAP-TTLS
PEAP
EAP-FAST
LEAP

The screenshot displays the 'Wireless LAN Configuration' page in the Silex Technology web interface. The page is divided into several sections for configuring IEEE802.1X authentication:

- Wireless LAN Basic Configuration:**
  - Name: (empty text field)
  - Wireless Standard: **AUTO** (dropdown)
  - SSID: Silex (text field)
  - Network Authentication: **WPA2-Enterprise** (dropdown)
  - Encryption Mode: **AES** (dropdown)
  - IEEE802.1X Fast Transition: **DISABLE** (dropdown)
- WPA/WPA2 Enterprise Configuration:**
  - Name: (empty text field)
  - Authentication Method: **EAP-TLS** (dropdown)
  - EAP User Name: (empty text field)
  - Client Certificate Password: (empty text field)
  - Client Certification: **Choose File** (button) | No file chosen
  - Server Authentication: **OFF** (dropdown)
- Certificate Registration Status:**

Certificate Name	Registration Status
Client Certification	Not Registered
CA Certificate	Not Registered
PAC File Distribution	Not Registered
- IEEE802.1X Network Device Configuration:**
  - Name: (empty text field)
  - Device Filter: **ON** (dropdown)
  - Client Mode: **Multiple Mode** (dropdown)

The interface also includes a left sidebar with navigation options (System Configuration, Maintenance, Information) and a top navigation bar with tabs for Easy Configuration, Detailed Configuration, and Smart Wireless Setup. A 'HELP' icon is visible in the top right corner of the configuration area.

## Settings on each authentication mode

The compatible settings on each authentication mode are as follows.

For details, refer to **Appendix A-1. List of All Settings**.

Name	IEEE802.1X Authentication Mode				
	EAP-TLS	EAP-TTLS	PEAP	EAP-FAST	LEAP
EAP User Name	Necessary	Necessary	Necessary	Necessary	Necessary
EAP Password	-	Necessary	Necessary	Necessary	Necessary
Inner Authentication Method	-	Necessary	Necessary	-	-
Server Authentication	Optional	Optional	Optional	-	-
CA Certificate	(*1)	(*1)	(*1)	-	-
Auto PAC Provisioning	-	-	-	Optional	-
PAC File Distribution	-	-	-	(*2)	-
PAC Password	-	-	-	(*2)	-
Client Certification	Necessary	-	-	-	-
Client Certificate Password	Optional	-	-	-	-

Note	(*1) Necessary when the Server Authentication is ON.
	(*2) Necessary when the Auto PAC Provisioning is OFF.

Name	Details
EAP User Name	This is an ID and password for the RADIUS server to identify the client.
EAP Password	
Inner Authentication Method	Specify the authentication protocol to use. For PEAP, MSCHAPv2 is used.
Server Authentication	Enable(ON) / Disable(OFF) the reliability check of the RADIUS server. When ON is selected, CA certificate is required to verify the server certificate.
CA Certificate	This is a CA certificate to authenticate the RADIUS server.
Auto PAC Provisioning	Enable(ON) / Disable(OFF) the automatic PAC distribution. When OFF is selected, the PAC file generated by the RADIUS server is required.
PAC File Distribution	This is the file used for manual provisioning. This file is generated by the RADIUS server. To analyze a password-set PAC file, you need the password.
PAC Password	
Client Certification	Use this to check the client reliability. To read out the secret key from the client certificate, a password is required.
Client Certificate Password	



- Please create the client certificate and the CA certificate separately. BR-330AC-LP does not support the certificate composed of multiple certificate files.

**TIP**

## Certificate Standard

When using the authentication mode which uses a certificate, get the necessary certificate issued from the certificate authority and import it to the BR-330AC-LP.

The BR-330AC-LP supports the following certificates:

### Certificate Standard

The certificate supports the standards as follows:

Certificate	Item	Compatible standards
Client certificate	X509 certificate version	v3
	Public key algorithm	RSA
	Public key size	512bit, 1024bit, 2048bit, 4096bit
	Signature algorithm	SHA1/SHA2(SHA-224,SHA-256,SHA-384,SHA-512) withRSA MD5withRSA
	X509v3 extended key usage	Client authentication (1.3.6.1.5.5.7.3.2)
CA certificate	Public key algorithm	RSA
	Public key size	512bit, 1024bit, 2048bit, 4096bit
	Signature algorithm	SHA1/SHA2(SHA-224,SHA-256,SHA-384,SHA-512) withRSA MD5withRSA

### Certificate Saving Format

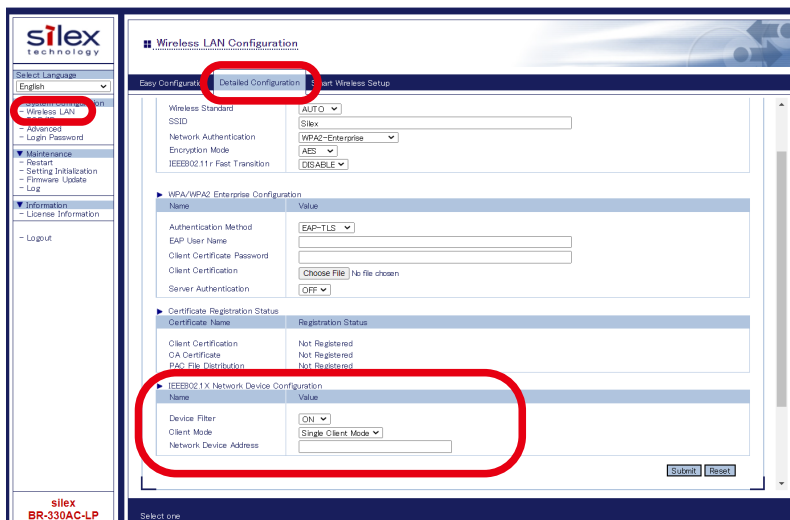
The following saving formats are supported:

Certificate	Compatible standards
Client certificate	PKCS#12, pfx * This is the format which includes a secret key of the certificate.
CA certificate	DER (Binary encoded X509) PEM (A text form. DER is BASE64 encoded.)



## MAC Address Filtering

When the IEEE802.1X authentication is used, access to the BR-330AC-LP from non-wireless devices needs to be controlled so that access from unauthorized devices can be blocked. Check the MAC address of non-wireless device to allow an access, and register it to the Web page of BR-330AC-LP.



## Before Using the IEEE802.1X Authentication

In order to use the IEEE802.1X authentication on BR-330AC-LP, the information below will be required.

### (1) User name and password to access the RADIUS server

To access the RADIUS server, the user name and password are required. Also, when using the authentication method that requires a certificate, the certificate file will be needed.

### (2) MAC address of the non-wireless device

BR-330AC-LP allows bridging only for those with the registered MAC address. The MAC address information is required to allow them to be bridged using BR-330AC-LP.

## IEEE802.1X Authentication Settings

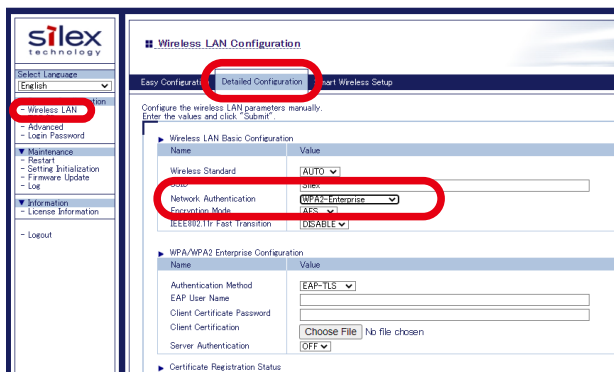
How to configure the IEEE802.1X authentication setting is explained.

To use the authentication method that requires a certificate, import the certificate file.

### 1. In the Web configuration interface of the BR-330AC-LP, click **Wireless LAN - Detailed Configuration**.

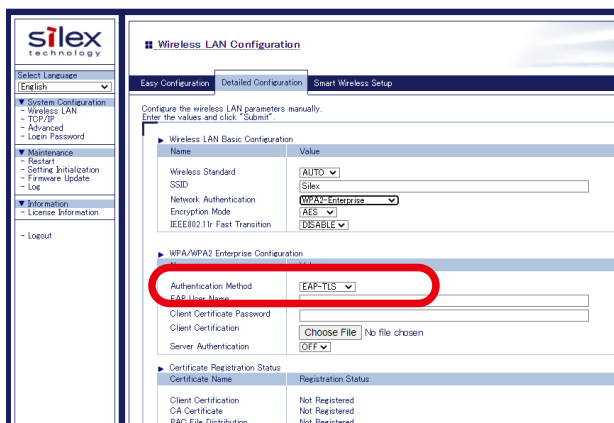
In the **Detailed Configuration** page, select one of the followings for **Network Authentication**.

- WPA2-Enterprise
- WPA/WPA2-Enterprise



### 2. Select one of the followings for **Authentication Method**.

- EAP-TLS
- EAP-TTLS
- PEAP
- EAP-FAST
- LEAP



\* Settings will vary depending on the IEEE802.1X authentication mode you select.

3. Enter the MAC address of the non-wireless device (the one you want to use wirelessly using BR-330AC-LP) to **Network Device Address** under **IEEE802.1X Network Device Configuration**, and click **Submit**.

The screenshot shows the 'Wireless LAN Configuration' page for a Silex BR-330AC-LP device. The 'IEEE802.1X Network Device Configuration' section is expanded and highlighted with a red oval. It contains the following fields:

- Name: [Text field]
- Device Filter: [OK] (dropdown)
- Client Mode: [Single Client Mode] (dropdown)
- Network Device Address: [Text field]

The 'Submit' button is also highlighted with a red circle.

**TIP**

- When the IEEE802.1X authentication is used, access to the BR-330AC-LP from non-wireless devices needs to be restricted so that access from unauthorized devices can be blocked.
- The BR-330AC-LP bridges only the devices whose MAC address is registered to **Network Device Address**. Check the MAC address of the non-wireless device to bridge and register it to **Network Device Address**.
- Please configure this even when you connect only one non-wireless device in a **Single Client Mode**.
- In **Multi-Client Mode**, register the MAC addresses of all non-wireless devices connected to the BR-330AC-LP (up to 16 addresses).

**Note**

- The following MAC addresses cannot be used for this setting:
  - Broadcast address
  - Multicast address
  - The address composed of 12 zeros
  - Duplicated address (when operating in Multi-Client Mode)

4. When the confirmation message is displayed, click **Restart** to restart BR-330AC-LP.

The screenshot shows a confirmation message box with the following text:

▶ Setting is completed.  
To take effect of this setting, please restart.

Below the text is a button labeled 'Restart'.

5. The BR-330AC-LP will be restarted and the IEEE802.1X authentication will take effect.

The configuration has now been completed.

Turn off the BR-330AC-LP and connect it to the non-wireless device using a LAN cable. Refer to **Connecting Non-wireless Devices** for details.

## 5-3. Saving Log

BR-330AC-LP can save the operating log.

Once the log is saved, it can be retrieved or deleted from the Web configuration interface.

### Types of Log

There are two types of log that can be saved by BR-330AC-LP.

Details of each log are as follows.

#### System Log

Power-on status, operating status, etc. of BR-330AC-LP are saved as a log file.

In case of a network trouble, you can check the operating status by referring the retrieved system logs.

The system log can be viewed or retrieved or deleted from the **System Log** page of Web configuration interface.

By using the log filter, only the specified log can be displayed.

The screenshot displays the 'System Log' page in the web configuration interface. On the left is a navigation menu with options like 'System Configuration', 'Maintenance', and 'Information'. The main content area is titled 'Log' and contains a 'System Log Filter' section. This section has a 'Name' field and a 'Value' field. Below these are several checkboxes: 'Log Filter reserved string', 'MAC address used in wireless communications', 'Wireless connection', 'Wireless disconnection', and 'Deauthorization'. A 'Filter Logs' button is located to the right of the filter section. Below the filter is a table of system logs. The table has columns for 'Date', 'Time', 'Device ID', and 'Log Message'. The logs show various DNS resolution events, such as 'DNS: resolved addr 192.168.0.215', and one error message: '000467F0454band: find node (Not found manager)'. At the bottom of the log table are 'Remove System Log', 'Refresh', and 'Save Log' buttons.

Date	Time	Device ID	Log Message
Jan 1	09:43:28	BR330AQLP-AE2410	user.info syslog: DNS: resolved addr 192.168.0.215
Jan 1	09:43:31	BR330AQLP-AE2410	user.info syslog: DNS: resolved addr 192.168.0.215
Jan 1	09:43:34	BR330AQLP-AE2410	user.info syslog: DNS: resolved addr 192.168.0.215
Jan 1	09:43:35	BR330AQLP-AE2410	user.info syslog: DNS: resolved addr 192.168.0.215
Jan 1	09:43:36	BR330AQLP-AE2410	user.info syslog: DNS: resolved addr 192.168.0.215
Jan 1	09:43:37	BR330AQLP-AE2410	user.info syslog: DNS: resolved addr 192.168.0.215
Jan 1	09:43:37	BR330AQLP-AE2410	user.info syslog: DNS: resolved addr 192.168.0.215
Jan 1	09:43:38	BR330AQLP-AE2410	user.info syslog: DNS: resolved addr 192.168.0.215
Jan 1	09:43:38	BR330AQLP-AE2410	user.info syslog: DNS: resolved addr 192.168.0.215
Jan 1	09:43:39	BR330AQLP-AE2410	user.info syslog: DNS: resolved addr 192.168.0.215
Jan 1	09:43:40	BR330AQLP-AE2410	user.info syslog: DNS: resolved addr 192.168.0.215
Jan 1	09:43:47	BR330AQLP-AE2410	user.info syslog: DNS: resolved addr 192.168.0.215
Jan 1	09:43:50	BR330AQLP-AE2410	user.info syslog: DNS: resolved addr 192.168.0.215
Jan 1	09:43:50	BR330AQLP-AE2410	user.info syslog: DNS: resolved addr 192.168.0.215
Jan 1	09:43:56	BR330AQLP-AE2410	user.info syslog: DNS: resolved addr 192.168.0.215
Jan 1	09:43:59	BR330AQLP-AE2410	user.info syslog: DNS: resolved addr 192.168.0.215
Jan 1	09:44:05	BR330AQLP-AE2410	user.info syslog: DNS: resolved addr 192.168.0.215
Jan 1	09:44:09	BR330AQLP-AE2410	user.info syslog: 000467F0454band: find node (Not found manager)
Jan 1	09:44:08	BR330AQLP-AE2410	user.info syslog: DNS: resolved addr 192.168.0.215
Jan 1	09:44:09	BR330AQLP-AE2410	user.info syslog: DNS: resolved addr 192.168.0.215
Jan 1	09:44:11	BR330AQLP-AE2410	user.err syslog: 000467F0454band: find entry (Not found slot [0=1])
Jul 4	19:19:09	BR330AQLP-AE2410	user.info syslog: DNS: resolved addr 192.168.0.215
Jul 4	19:19:10	BR330AQLP-AE2410	user.info syslog: DNS: resolved addr 192.168.0.215
Jul 4	19:19:11	BR330AQLP-AE2410	user.info syslog: DNS: resolved addr 192.168.0.215
Jul 4	19:19:13	BR330AQLP-AE2410	user.info syslog: DNS: resolved addr 192.168.0.215
Jul 4	19:19:14	BR330AQLP-AE2410	user.info syslog: DNS: resolved addr 192.168.0.215
Jul 4	19:19:16	BR330AQLP-AE2410	user.info syslog: DNS: resolved addr 192.168.0.215
Jul 4	19:19:29	BR330AQLP-AE2410	user.info syslog: DNS: resolved addr 192.168.0.215
Jul 4	19:19:29	BR330AQLP-AE2410	user.info syslog: DNS: resolved addr 192.168.0.215
Jul 4	19:19:35	BR330AQLP-AE2410	user.info syslog: DNS: resolved addr 192.168.0.215
Jul 4	19:19:36	BR330AQLP-AE2410	user.info syslog: DNS: resolved addr 192.168.0.215

When the system log is saved, the event log and the other files are generated that will include the operating status.

File name		Description
System		Product information
Process		Process information
Client		Client list of the station bridge function
Meminfo		Memory information
log	messages(.x)	system log
	event_log.txt(.x)	event log



- The system log is saved into the "log" partition of flash memory.
- Each file is 1Mbyte, and 10 rotated files are saved. (Total 11 files (11Mbyte) are saved.)

**Note**

## Event Log

When a new event such as wireless connection/disconnection occurs, it is saved as a log file.

In case of a network trouble, you can check the wireless connection status by referring the retrieved event logs.

The event log can be viewed or retrieved or deleted from the **Event Log** page of the Web configuration interface.

Index	Date	Category	Event	Data
1	2022/06/20 19:32:38	Network	Set DNS Resolver	192.168.0.252
2	2022/06/20 19:35:38	Network	Detect DHCP Event	br0:EXPIRE
3	2022/06/20 19:35:45	Network	Detect DHCP Event	br0:BOUND
4	2022/06/20 19:35:45	Network	Set IP Address	br0:192.168.0.156,255.255.255.0
5	2022/06/20 19:35:46	Network	Set DNS Resolver	192.168.0.252
6	2022/06/20 19:37:06	System	Change mode	Kitting Mode
7	2022/06/20 19:37:06	Wired	Link Down	eth0
8	2022/06/20 19:37:14	System	System Rebooting	
9	1970/01/01 00:16:40	System	System Start	Normal
10	1970/01/01 09:16:43	System	Change mode	Multi Client Mode
11	1970/01/01 09:16:54	Network	Detect DHCP Event	br0:RECONFIGURE
12	1970/01/01 09:16:54	Network	Detect DHCP Event	br0:EXPIRE
13	1970/01/01 09:16:55	Wireless(STA)	Link Up	wlan0:LinkUp=ap:88:00:00:00:02:40:62:11ch...35 dBm,72.2 MBit/s
14	1970/01/01 09:16:55	Wired	Detect Device	eth0:Valid,1c:bc:ec:00:00:03:172:18:0:2
15	1970/01/01 09:16:55	Wired	Detect Device	eth0:Valid,84:25:31:01:1792:172:18:0:2
16	1970/01/01 09:17:01	Wired	Detect Device	eth0:Valid,64:69:7a:3a:15:5c:172:18:0:1
17	1970/01/01 09:17:05	Network	Detect DHCP Event	br0:IPVALL
18	1970/01/01 09:17:05	Network	Set IP Address	br0:169.254.196.238,255.255.0.0
19	1970/01/01 09:17:06	Wired	Detect Device	eth0:Valid,1c:bc:ec:00:00:03:169:254:196:238
20	1970/01/01 09:17:06	Wired	Detect Device	eth0:Valid,1c:bc:ec:00:00:03:172:18:0:1
21	1970/01/01 09:17:06	Wired	Link Up	eth0,100Mb/s
22	1970/01/01 09:17:06	Network	Detect DHCP Event	br0:IPVALL
23	1970/01/01 09:17:14	Network	Detect DHCP Event	br0:RECONFIGURE
24	1970/01/01 09:17:15	Network	Detect DHCP Event	br0:EXPIRE
25	1970/01/01 09:17:24	Wired	Link Down	eth0
26	1970/01/01 09:17:29	Wired	Link Up	eth0,100Mb/s
27	1970/01/01 09:17:30	Network	Detect DHCP Event	br0:RECONFIGURE
28	1970/01/01 09:17:30	Network	Detect DHCP Event	br0:RECONFIGURE

The event log contains the following information items.

Events other than those listed in this table may also be notified.

Category	Events	Added information	Description	
System	System Start		BR-330AC-LP started.	
	System Rebooting		BR-330AC-LP restarted.	
	Update	Model Name, Version Information	Firmware update was executed.	
	Initialize		Setting was initialized.	
	Change mode	Single Client Mode		BR-330AC-LP operated in Single Client Mode.
		Multi Client Mode		BR-330AC-LP operated in Multi-Client Mode.
		Setting Mode		BR-330AC-LP operated in Configuration Mode.
		Smart Wireless Setup		Smart Wireless Setup was executed.
		Kitting Mode		BR-330AC-LP operated in kitting mode.
		Find Ethernet Address		When Single Client Mode is on, BR-330AC-LP started to detect the MAC address of the connected wired LAN devices.
Error	Wired LAN		Wired LAN port error occurred.	
	Wireless LAN module		Wireless LAN module error occurred.	

Category	Events	Added information	Description
Network	Set IP Address	IF Name, IP Address, Subnet Mask	IP address was configured.
	Detect DHCP Event	IF Name, BOUND	IP address was assigned by the DHCP Client.
		IF Name, EXPIRE	A lease period for DHCP Client was expired and the IP address was invalidated.
		IF Name, IPV4LL	DHCP Client set a link-local address.
Set DNS Resolver	DNS Primary, DNS Secondary	DNS Resolver setting was updated.	
Wired	Link Up	IF Name, Link Speed	BR-330AC-LP connected to wired LAN.
	Link Down	IF Name	BR-330AC-LP disconnected from wired LAN.
	Detect Device	IF Name, Invalid, MAC address	Unregistered devices were detected. Single Client : Unregistered device (MAC address) was detected on wired LAN. Multi-Client : Device (MAC address) not registered to the MAC address filter of IEEE802.1X authentication was detected.
		IF Name, Adopt, MAC address	Single Client : BR-330AC-LP set the registered or detected MAC address of the wired LAN device to the bridge interface.
		IF Name, Store, MAC address, IP address	Multi-Client : BR-330AC-LP set the detected MAC address of the wired LAN device to the address table.
		IF Name, Valid, MAC address, IP address	Wired device was detected.
	IF Name, Expired, MAC address, IP address	Wired LAN device information was lost when Multi-Client Mode is on.	
	Wireless (STA)	Link Up	IF Name, SSID, MAC address of wireless router, Channel, Radio Strength, Tx Rate
Link Down		IF Name, MAC address of wireless router, Reason Code	BR-330AC-LP disconnected from wireless LAN.
Deauthenticated		IF Name, Reason Code	Deauthenticated packet was received, and wireless connection was disconnected.
Smart Wireless Setup	Success		Smart Wireless Setup finished successfully.
	Overlapped		Smart Wireless Setup failed since multiple wireless routers were detected.
	Timeout		Wireless router was not detected during Smart Wireless Setup.

**Note**

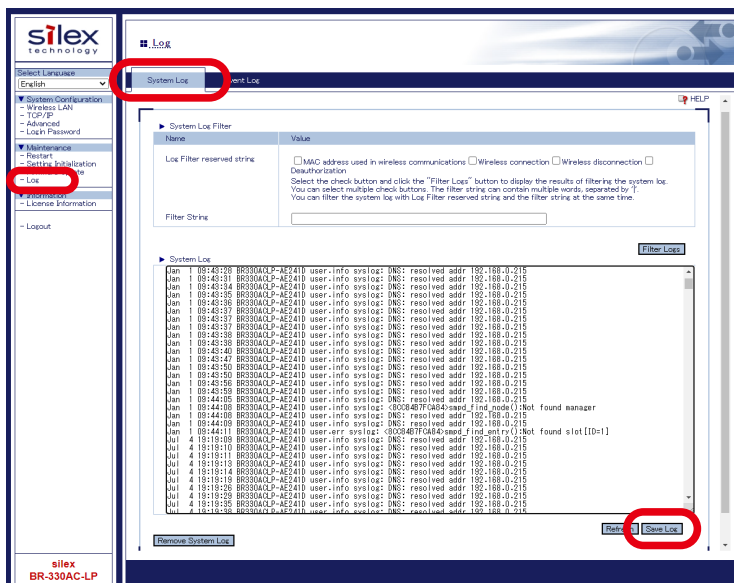
- The event log is saved into the "log" partition of flash memory.
- Each file is 1Mbyte, and only 1 rotated file is saved. (Total 2 files (2Mbyte) are saved.)

## Retrieving/Deleting System Log

### How to retrieve system log:

The system log saved on BR-330AC-LP can be accessed from the Web configuration interface.

- The Web page of BR-330AC-LP is displayed.  
Click **Log - System Log** and click **Save Log** to save all logs.



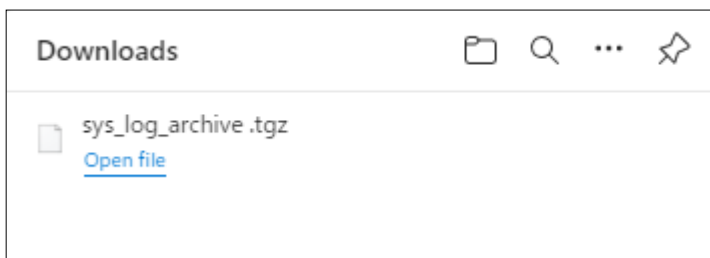
- The log files cannot be saved individually.



### Note

- For how to access the Web page of BR-330AC-LP, refer to **5-1. How to Access Web Configuration Interface**.

- The message for compressed file of all system logs (sys\_log\_archive.tgz) appears.  
Click **Open file** or **".."** for the desired option.



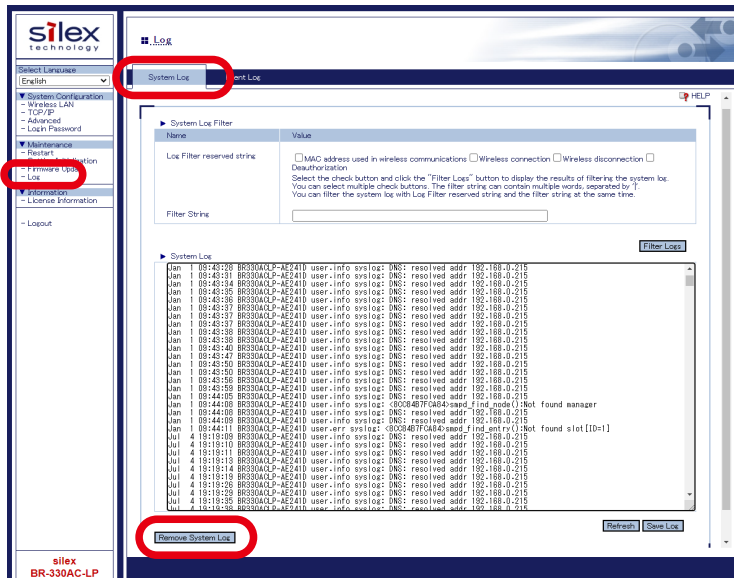
The system log has been saved.



## How to delete system log:

The system log saved on BR-330AC-LP can be deleted from the Web configuration interface.

1. The Web page of BR-330AC-LP is displayed.  
Click **Log - System Log** and click **Remove System Log**.



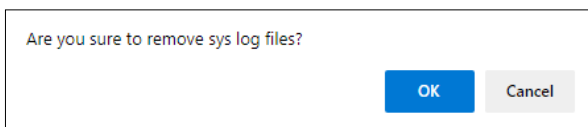
- The system log files cannot be deleted individually.



### Note

- For how to access the Web page of BR-330AC-LP, refer to **5-1. How to Access Web Configuration Interface**.

2. When the confirmation message is displayed, click **OK**.  
All system logs are deleted.



### Note

- If **Cancel** is clicked, the system log will not be deleted.

The system log has been deleted.

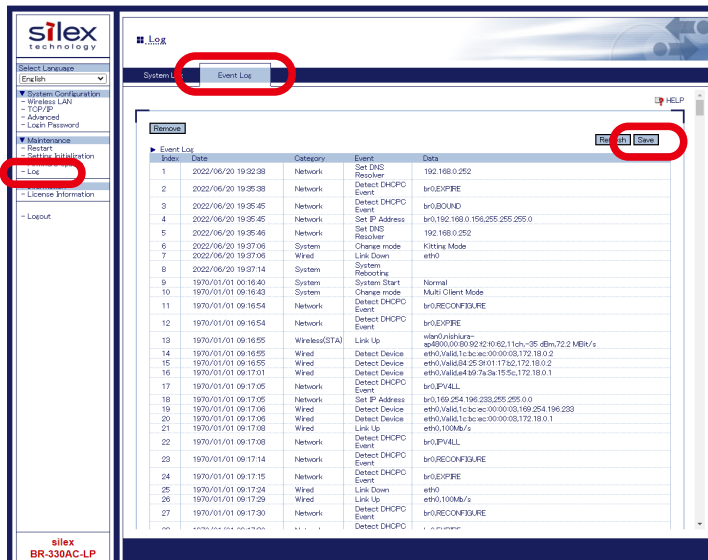
## Retrieving/Deleting Event Log

How to retrieve the event log is explained.

The event log saved on BR-330AC-LP can be accessed from the Web configuration interface.

1. The Web page of BR-330AC-LP is displayed.

Click **Log - Event Log** and click **Save** to save all logs.



- The event log can only be saved to one file.

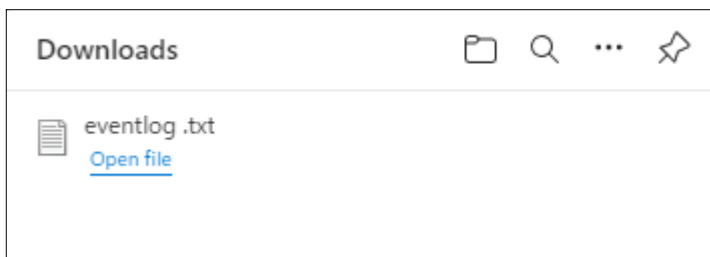


**Note**

- For how to access the Web page of BR-330AC-LP, refer to **5-1. How to Access Web Configuration Interface**.

2. The message for event log file(eventlog.txt) appears.

Click **Open file** or "... " for the desired option.

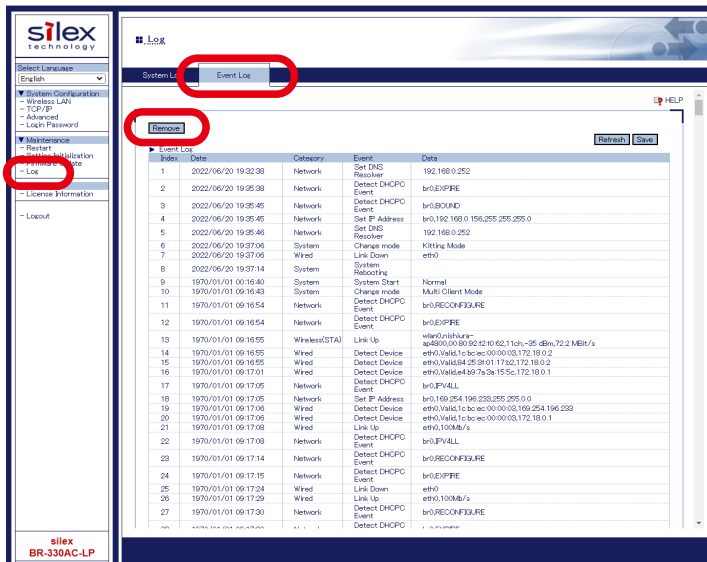


The event log has been saved.

## How to delete event log:

The event log saved on BR-330AC-LP can be deleted from the Web configuration interface.

1. The Web page of BR-330AC-LP is displayed.  
Click **Log - Event Log** and click **Remove**.



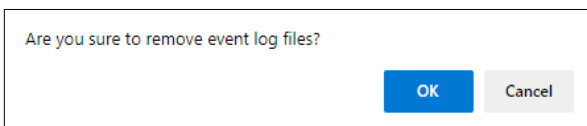
- The event log cannot be deleted individually.



### Note

- For how to access the Web page of BR-330AC-LP, refer to **5-1. How to Access Web Configuration Interface**.

2. When the confirmation message is displayed, click **OK**.  
All event logs are deleted.



### Note

- If Cancel is clicked, the event log will not be deleted.

The event log has been deleted.

## Time Synchronization of Log

BR-330AC-LP has the NTP client function. The time of BR-330AC-LP can be synchronized with the NTP server to describe it on the system log and event log.

To configure the NTP setting, open the Web page of BR-330AC-LP and click **TCP/IP** from the menu. The setting can be configured at **NTP Configuration**.

The screenshot displays the web configuration interface for the BR-330AC-LP device. The left sidebar shows the navigation menu with 'TCP/IP' highlighted. The main content area is titled 'TCP/IP Configuration' and contains three sections: 'General Configuration', 'TCP/IP Configuration', and 'NTP Configuration'. The 'NTP Configuration' section is circled in red and includes the following settings:

Name	Value
NTP	DISABLE
NTP Server	pool.ntp.org
Local Time Zone	+9:00

Buttons for 'Submit' and 'Reset' are located at the bottom right of the NTP Configuration section.



### Note

- For how to access the Web page of BR-330AC-LP, refer to **5-1. How to Access Web Configuration Interface**.
- For details on the NTP setting, refer to **A-1. List of All Settings**.

## 5-4. Address Management Table

In **Multi-Client Mode**, up to 16 non-wireless devices can be shared over network by saving combination of MAC address and IP Address of such devices to BR-330AC-LP.

The combination information is saved automatically when BR-330AC-LP started communication with non-wireless devices, but if the address management table feature is used, it is possible to manually add or delete the combination information.

### About Address Management Table Feature

How to register combination of MAC address and IP address will differ depending on whether the address management table feature is enabled or disabled (ON/OFF).

If this feature is ON, the management table information is used for the combination information (MAC address + IP address) of non-wireless devices to connect to BR-330AC-LP.

The addresses are automatically registered to the management table when the devices are added while BR-330AC-LP is active. When this function is OFF, the management table setting is not used.

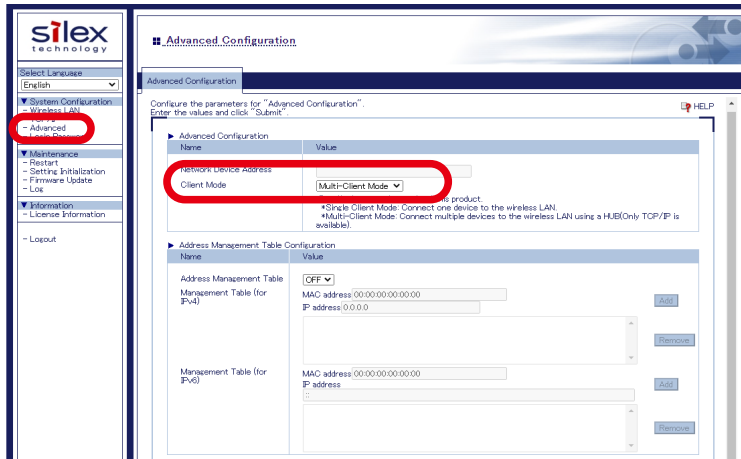


- Only unicast address is supported for MAC address and IP address.
- BR-330AC-LP checks the existence of device information to save at 5 sec interval. If BR-330AC-LP is turned off before the saving process is completed, the device information is not saved in the address management table.
- Up to 16 sets of combination information can be registered to the management table. If 16 sets of combination information are already registered, new one cannot be added. Delete unnecessary information then.

## Registering Address to Management Table

Following explains how to register combination of MAC address and IP address to management tables (IPv4/IPv6).

1. In the Web configuration interface of the BR-330AC-LP, click **Advanced**.  
Select **Multi-Client Mode** for **Client Mode**.

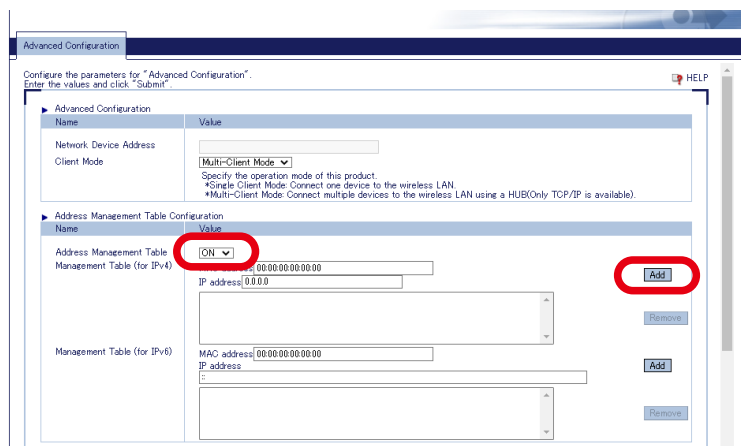


- For how to access the Web page of BR-330AC-LP, refer to **5-1. How to Access Web Configuration Interface**.
- For details on the address management table setting, refer to **A-1. List of All Settings**.

### Note

2. Select **ON** for **Address Management Table**, enter the MAC address and IP address and click **Add**.

Repeat the same process to register more sets of information.



- To register a combination of MAC address and IPv6 address, add it to **Management Table (for IPv6)**.

### Note

3. The combination information is listed in the management table.  
Click **Submit**.

Advanced Configuration

Configure the parameters for "Advanced Configuration".  
Enter the values and click "Submit".

HELP

Advanced Configuration

Name	Value
Network Device Address	
Client Mode	MURP-Client Mode

Specify the operation mode of this product.  
\*Single Client Mode: Connect one device to the wireless LAN.  
\*Multi-Client Mode: Connect multiple devices to the wireless LAN using a HUB(Only TCP/IP is available).

Address Management Table Configuration

Name	Value
Address Management Table	ON
Management Table (for IPv4)	MAC address: 84:25:3F:00:11:66 IP address: 192.168.20.127 Add 84:25:3F:00:11:22 <--> 192.168.20.123 84:25:3F:00:11:33 <--> 192.168.20.124 84:25:3F:00:11:44 <--> 192.168.20.125 84:25:3F:00:11:55 <--> 192.168.20.126 84:25:3F:00:11:66 <--> 192.168.20.127 Remove
Management Table (for IPv6)	MAC address: 00:00:00:00:00:00 IP address: Add Remove

Wired LAN Configuration

Name	Value
Link Speed	AUTO

Wireless LAN Configuration

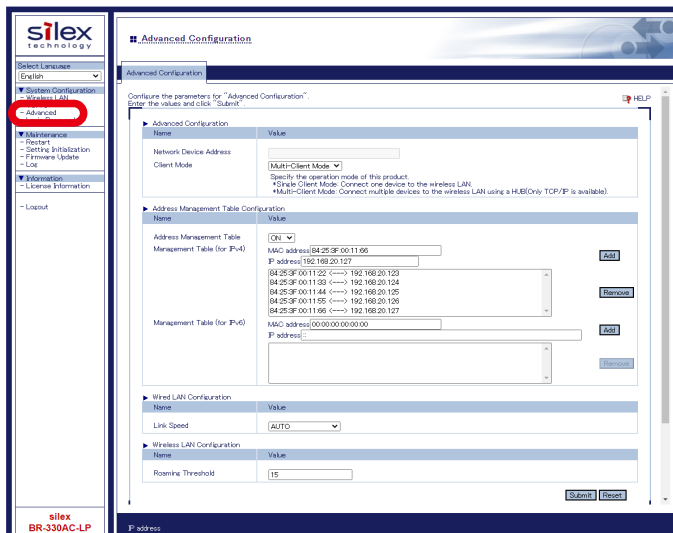
Name	Value
Roaming Threshold	15

Submit IP at

## Deleting Address from Management Table

Following explains how to delete combination of MAC address and IP address from management tables (IPv4/IPv6).

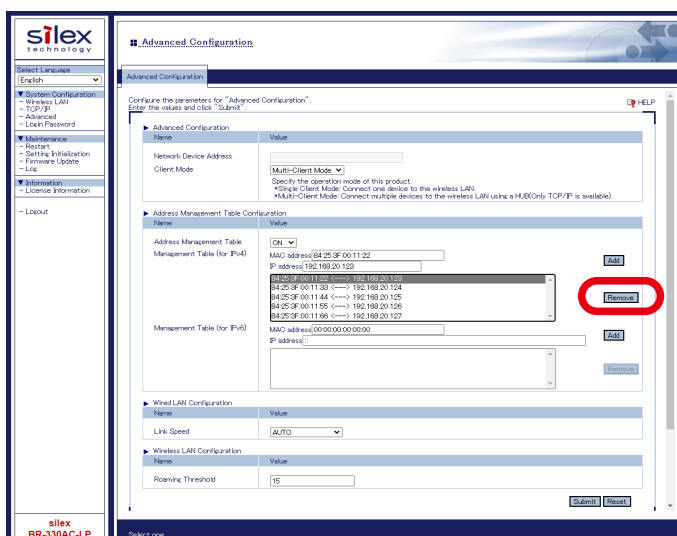
### 1. In the Web configuration interface of the BR-330AC-LP, click **Advanced**.



#### Note

- For how to access the Web page of BR-330AC-LP, refer to **5-1. How to Access Web Configuration Interface**.
- For details on the address management table setting, refer to **A-1. List of All Settings**.

### 2. At the address management table, select combination of MAC address and IP address from the list and click **Remove**. Repeat the same process to delete more sets of information.



#### Note

- To select multiple items, hold down the Ctrl key to select them.
- To remove a combination of MAC address and IPv6 address, click **Remove** at **Management Table (for IPv6)**.



### 3. Click **Submit**.

The screenshot displays the 'Advanced Configuration' web interface. It features three main sections: 'Address Management Table Configuration', 'Wired LAN Configuration', and 'Wireless LAN Configuration'. The 'Submit' button at the bottom right is circled in red.

**Address Management Table Configuration**

Name	Value
Address Management Table	ON
Management Table (for IPv4)	MAC address: 84253F001122 IP address: 192.168.20.123
	84253F001133 <--> 192.168.20.124 84253F001144 <--> 192.168.20.125 84253F001155 <--> 192.168.20.126 84253F001166 <--> 192.168.20.127
Management Table (for IPv6)	MAC address: 000000000000 IP address: :

**Wired LAN Configuration**

Name	Value
Link Speed	AUTO

**Wireless LAN Configuration**

Name	Value
Roaming Threshold	15

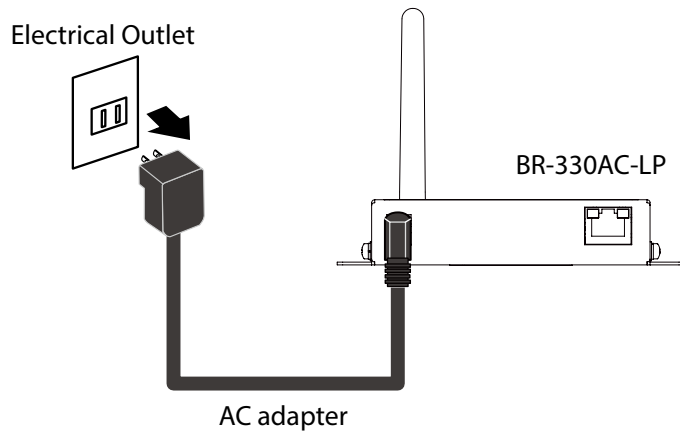
Submit | Reset

## 5-5. Maintenance

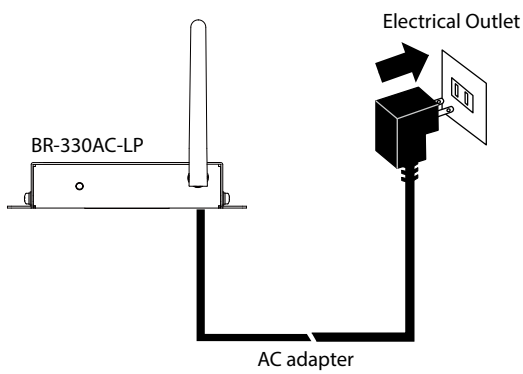
### Restarting

**How to restart BR-330AC-LP by unplugging the AC adapter:**

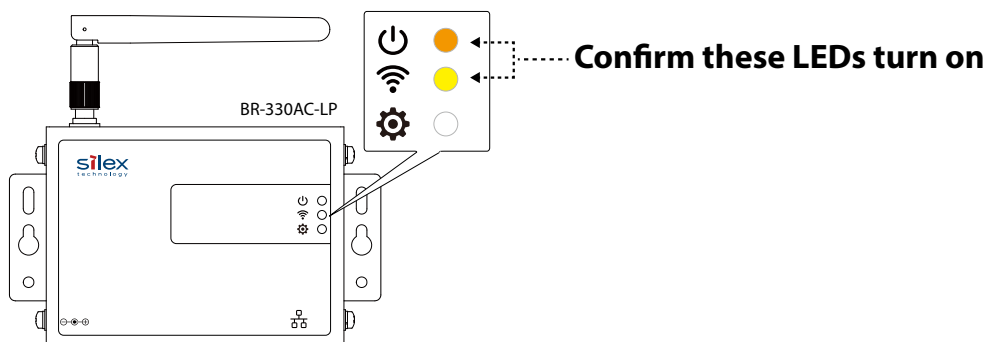
1. Unplug the AC adapter of BR-330AC-LP from the outlet.



2. Plug the AC adapter back into the outlet.

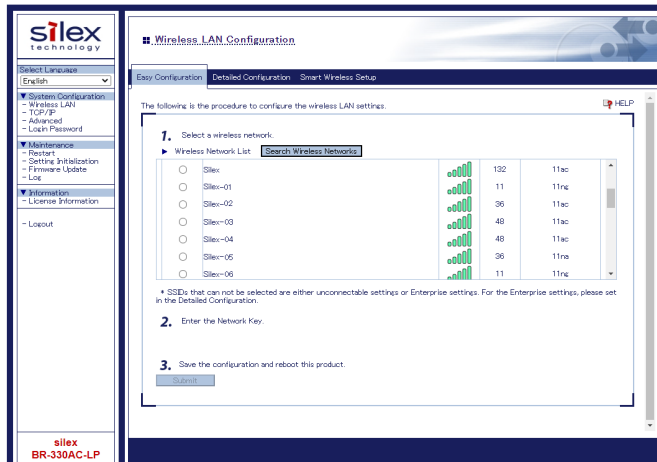


3. When the POWER LED and WLAN LED turn on, the restart is completed.



## How to restart BR-330AC-LP using the Web configuration interface:

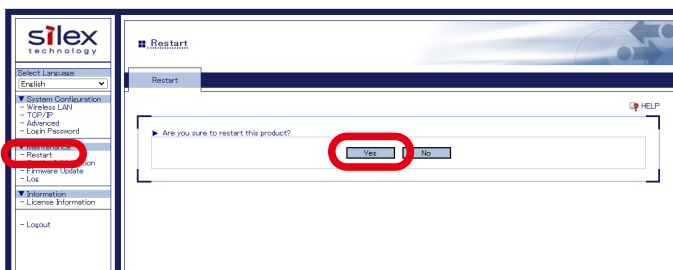
1. Start the BR-330AC-LP in **Configuration Mode** and access the Web configuration interface.



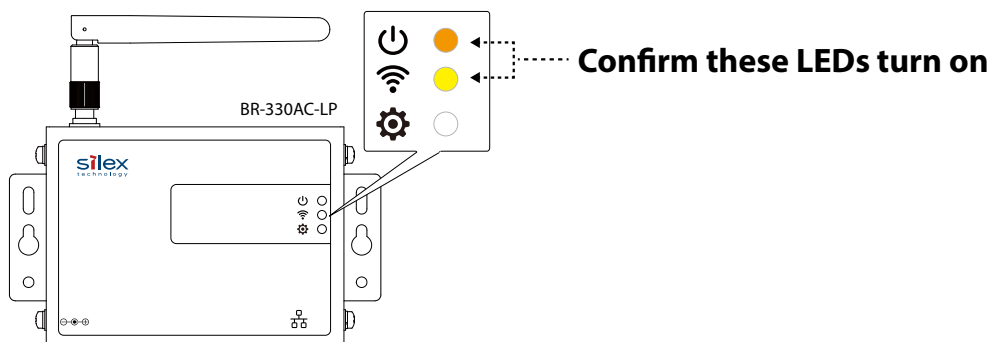
- For how to access the Web page of BR-330AC-LP, refer to **5-1. How to Access Web Configuration Interface**.

### Note

2. From the left menu on the Web configuration interface, click **Restart**. In the page displayed, click **Yes**.



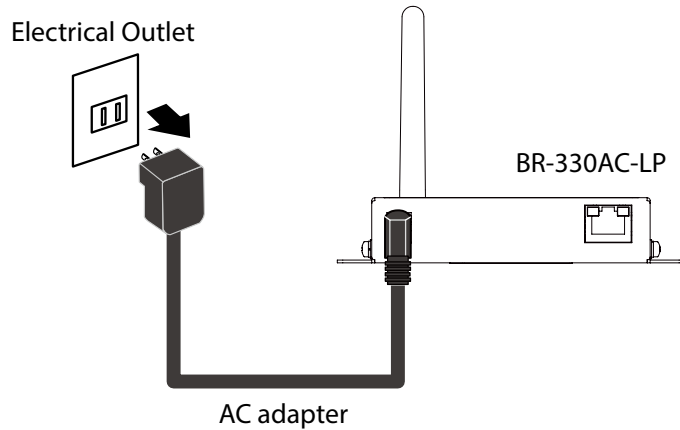
3. When the POWER LED and WLAN LED turn on, the restart is completed. After the restart, the BR-330AC-LP will start in a normal mode.



## Factory Default Configuration

### How to reset BR-330AC-LP to factory defaults using the Push Switch:

1. Unplug the AC adaptor of BR-330AC-LP from the outlet.

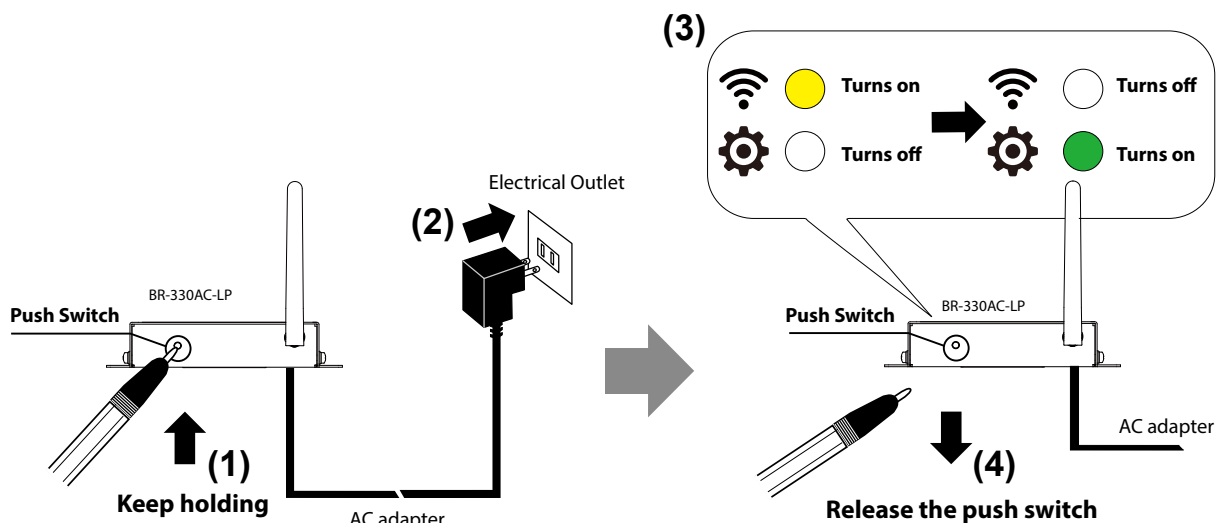


2. Press and hold the push switch on the top while inserting the AC adaptor back into the electrical outlet. Keep holding it.

When the WLAN LED turns off and STATUS LED turns on, release the push switch.

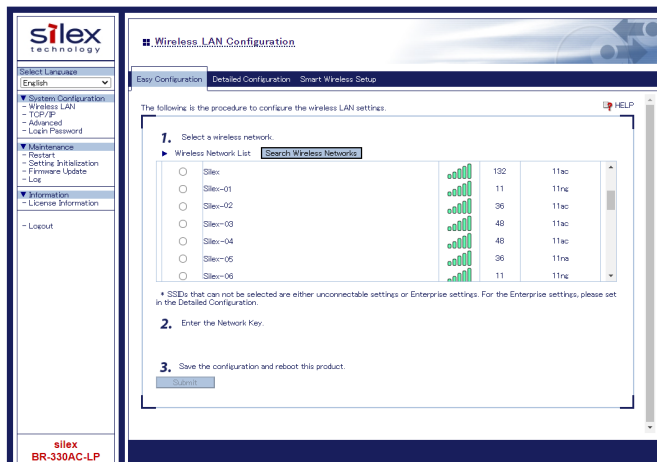
The factory default configuration begins.

When the POWER LED and WLAN LED turn on, the factory default configuration is completed. The BR-330AC-LP will start in a normal mode, then.



## How to reset BR-330AC-LP to factory defaults using the Web configuration interface:

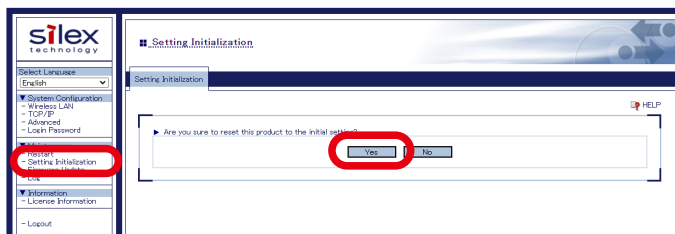
1. Start the BR-330AC-LP in **Configuration Mode** and access the Web configuration interface.



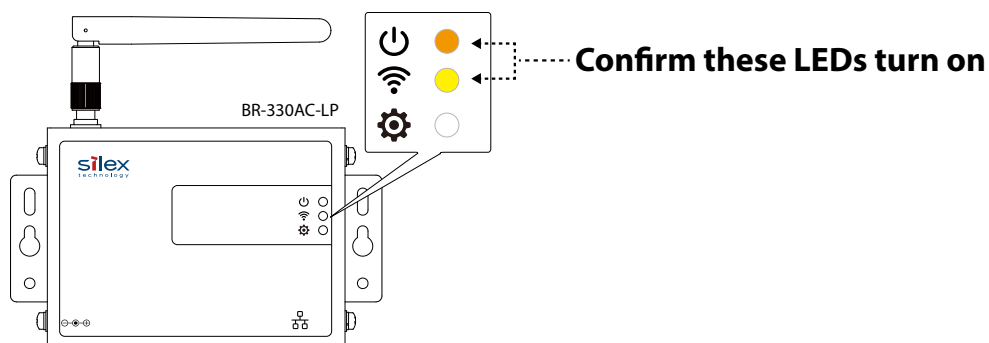
- For how to access the Web page of BR-330AC-LP, refer to **5-1. How to Access Web Configuration Interface**.

### Note

2. From the left menu on the Web page, click **Setting Initialization**.  
In the page displayed, click **Yes**.



3. When the confirmation message is displayed, click **OK**.  
The factory default configuration begins.
4. When the POWER LED and WLAN LED turn on, the factory default configuration is completed. The BR-330AC-LP will start in a normal mode, then.



## Firmware Update

The latest firmware file can be downloaded from our website.

See the instructions below to download the firmware file. For how to upload the firmware file to BR-330AC-LP, refer to the firmware update procedure sheet file contained in the firmware file you download.



- The current firmware version can be identified at the bottom left of the Web configuration interface.

**Note**

### How to download the firmware file:

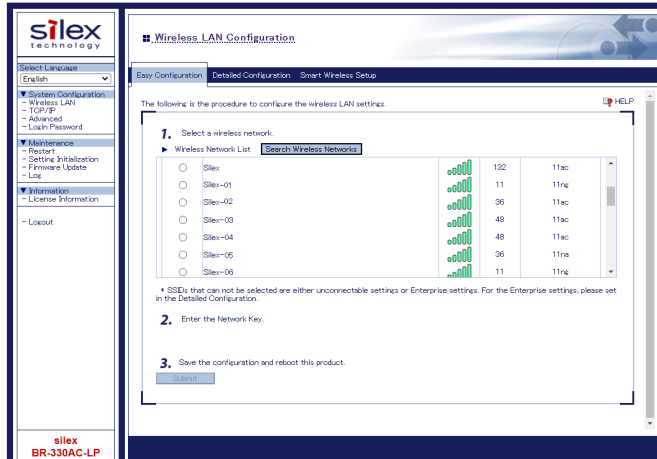
1. Access our website below.

URL	
USA / Europe	<a href="https://www.silextechnology.com/">https://www.silextechnology.com/</a>

2. Go to the support section and download the firmware file.

## How to update the BR-330AC-LP's firmware:

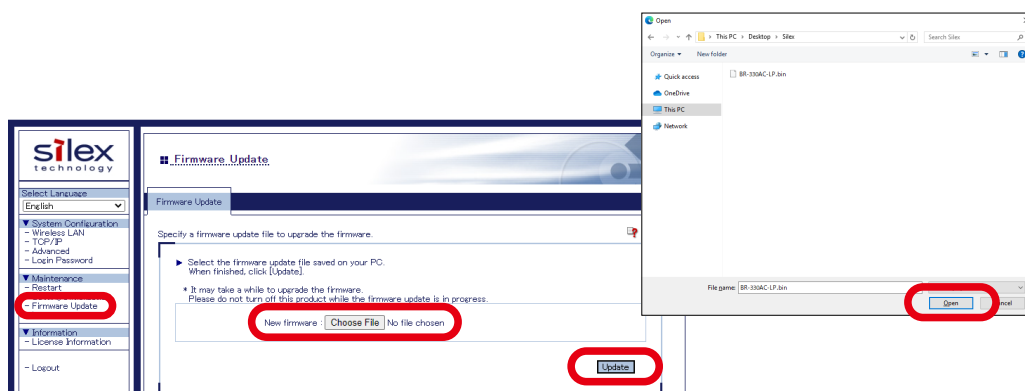
1. Start the BR-330AC-LP in **Configuration Mode** and access the Web configuration interface.



- For how to access the Web page of BR-330AC-LP, refer to **5-1. How to Access Web Configuration Interface**.

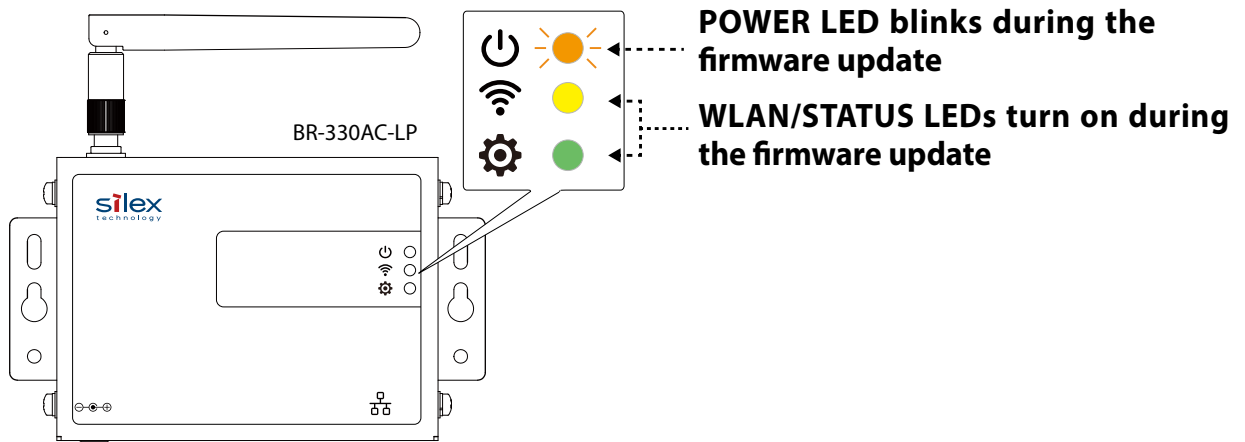
### Note

2. From the left menu on the Web page, click **Firmware Update**.  
In the page displayed, click the button to the right of **New firmware**.  
In the file selection dialog, select a new firmware file you have downloaded (BR-330AC-LP.bin), and click **Open**.  
Check that the specified firmware file is displayed at **New firmware**, and click **Update**.



3. When the confirmation message is displayed, click **OK**.  
The firmware update begins.

4. When the firmware update is in progress, the POWER LED blinks while the WLAN LED and STATUS LED turn on.



- Do not turn off BR-330AC-LP or close the Web browser while the firmware update is in progress.

**TIP**

5. When the LED light pattern is changed, the firmware update is complete.



# A. Appendix

## A-1. List of All Settings

The BR-330AC-LP has the following configuration items:

Wireless LAN - Easy Configuration	
<b>Select a wireless network.</b>	
Details	Select the SSID of the wireless router (or other wireless devices) to connect from <b>Wireless Network List</b> .
Range	Wireless router of the wireless network to connect
Default Value	(None)
<b>Enter the Network Key.</b>	
Details	Enter the WEP Key or Pre-Shared Key of the wireless network for <b>Network Key</b> .
Range	WEP Key or Pre-Shared key
Default Value	(None)
Note	For network key, usable characters will differ depending on the wireless router to connect. For details on WEP key, refer to <b>WEP Key 1-4</b> at <b>A-1. List of All Settings</b> . For details on Pre-Shared key, refer to <b>Pre-Shared Key</b> at <b>A-1. List of All Settings</b> .

## Wireless LAN - Detailed Configuration - Wireless LAN Basic Configuration

### Wireless Standard

Details	Select the wireless standard.
Range	AUTO / 2.4GHz / 5GHz
Default Value	AUTO
Note	Wireless router of the selected wireless standard will be connected.

### SSID

Details	Set the SSID to connect to the wireless network (up to 32 characters).
Range	1 - 32 characters
Default Value	Silex
Note	The SSID is an ID that distinguishes a wireless LAN network from others. For wireless devices to communicate with each other on a wireless network, they must share the same SSID.

### Network Authentication

Details	Select the network authentication mode for a wireless LAN.
Range	Open / WPA2-Personal / WPA/WPA2-Personal / WPA2-Enterprise / WPA/WPA2-Enterprise
Default Value	Open

The following items are displayed when **Network Authentication** is **Open**.

## Wireless LAN - Detailed Configuration - WEP Configuration

### WEP

Details	Enable/Disable the WEP encryption. If WEP encryption is used, wireless communication will be encrypted using the settings for " <b>WEP Key 1-4</b> " and " <b>Key Index</b> ".
Range	ON/OFF
Default Value	OFF
Note	If encryption is not enabled, data is not encrypted and is sent as is. To ensure higher security, enabling encryption is recommended. When WEP encryption is used, IEEE802.11n/ac cannot be used for communication.

### Key Index

Details	Select the number of the WEP key to use for encryption (1-4). This setting must be the same as that of your wireless device.
Range	1 - 4
Default Value	1

WEP Key1-4	
Details	<p>Set the WEP key for WEP encryption.</p> <p>Up to 4 WEP keys can be set. This setting must be the same as that of your wireless devices. A WEP key must be entered using hexadecimal or alphanumeric characters.</p>
Range	<p>5 or 13 characters</p> <p>10 or 26 digit hexadecimal value</p>
Default Value	(None)
Note	<p>In most cases, alphanumeric characters are used.</p> <p>Enter 5 characters if the key size is 64bit or 13 characters if the key size is 128bit. For Hexadecimal, a value consists of numbers (0-9) and English letters (A-F).</p> <p>Enter a 10-digit value if the key size is 64bit or a 26-digit value if the key size is 128bit.</p> <p>Usable characters will differ depending on the wireless router to connect.</p>

The following items are displayed when **Network Authentication** is **WPA2-Personal** or **WPA/WPA2-Personal**.

### Wireless LAN - Detailed Configuration - Wireless LAN Basic Configuration

Encryption Mode	
Details	Select the encryption mode.
Range	AES / AUTO
Default Value	AES (when WPA2-Personal is set) AUTO (when WPA/WPA2-Personal is set)
Note	When the network authentication mode is <b>WPA2-Personal</b> , <b>AUTO</b> cannot be used. When the network authentication mode is <b>WPA/WPA2-Personal</b> , <b>AES</b> cannot be used. When TKIP encryption is used, IEEE802.11n/ac cannot be used for communication.
IEEE802.11r Fast Transition	
Details	This setting is displayed when the network authentication mode is <b>WPA2-Personal</b> . Enable/Disable the IEEE802.11r Over-the-Air FT (Fast Basic Service Set Transition) function. When this function is enabled, a process of key exchange with the destination wireless router can be simplified at a time of roaming, by sharing the key information with another wireless router on the same network beforehand.
Range	ENABLE/DISABLE
Default Value	DISABLE
Note	The following functions are not supported. - Over-the-DS FT - FT Resource Request protocol A time of roaming may take longer depending on the combination with other settings of BR-330AC-LP.

### Wireless LAN - Detailed Configuration - WPA/WPA2 Personal Configuration

Pre-Shared Key	
Details	Set the Pre-Shared Key to use for encryption. The Pre-Shared Key is a keyword used to create the encryption key. It is also referred to as 'network key' or 'password'.
Range	8-63 alphanumeric characters * Hexadecimal string for 64 characters
Default Value	12345678
Note	In most case, alphanumeric characters are used (8-63 characters). For Hexadecimal, a value consists of numbers (0-9) and English letters (A-F). * This setting must be the same as that of your wireless devices. Usable characters will differ depending on the wireless router to connect.

The following items are displayed when **Network Authentication** is **WPA2-Enterprise** or **WPA/WPA2-Enterprise**.

Wireless LAN - Detailed Configuration - Wireless LAN Basic Configuration	
<b>Encryption Mode</b>	
Details	Select the encryption mode.
Range	AES / AUTO
Default Value	AES (when WPA2-Enterprise is set) AUTO (when WPA/WPA2-Enterprise is set)
Note	When the network authentication mode is <b>WPA2-Enterprise</b> , <b>AUTO</b> cannot be used. When the network authentication mode is <b>WPA/WPA2-Enterprise</b> , <b>AES</b> cannot be used.
<b>IEEE802.11r Fast Transition</b>	
Details	This setting is displayed when the network authentication mode is <b>WPA2-Enterprise</b> and the Authentication Method is <b>EAP-TLS / EAP-TTLS/ PEAP</b> . Enable/Disable the IEEE802.11r Over-the-Air FT (Fast Basic Service Set Transition) function. When this function is enabled, a process of key exchange with the destination wireless router can be simplified at a time of roaming, by sharing the key information with another wireless router on the same network beforehand.
Range	ENABLE/DISABLE
Default Value	DISABLE
Note	The following functions are not supported. - Over-the-DS FT - FT Resource Request protocol A time of roaming may take longer depending on the combination with other settings of BR-330AC-LP.

## Wireless LAN - Detailed Configuration - WPA/WPA2 Enterprise Configuration

### Authentication Method

Details	Select the authentication mode.
Range	EAP-TLS / EAP-TTLS / PEAP / EAP-FAST / LEAP
Default Value	EAP-TLS
Note	<p><b>EAP-TLS</b> Provides two-way authentication between the client and RADIUS server using a certificate.</p> <p><b>EAP-TTLS, PEAP</b> This is the authentication method using EAP-TLS, providing the client authentication using a user name / password.</p> <p><b>EAP-FAST</b> In this authentication, the authentication process is tunneled by the PAC (Protected Access Credential) which is issued from the RADIUS server.</p> <p><b>LEAP</b> One kind of EAP protocols used for PPP authentication. The authentication performs using a user name / password between the RADIUS server and client.</p>

### EAP User Name

Details	Set the ID for the server to identify the client.
Range	1 - 64 characters
Default Value	(None)

### EAP Password

Details	<p>This setting is displayed when the Authentication Method is <b>EAP-TTLS / PEAP / EAP-FAST / LEAP</b>.</p> <p>Set the password for the server to identify the client.</p>
Range	1 - 32 characters
Default Value	(None)

### Client Certificate Password

Details	<p>This setting is displayed when the Authentication Method is <b>EAP-TLS</b>.</p> <p>Set a client certificate password to use for client authentication.</p> <p>This setting is necessary when a password is set to the client certificate.</p>
Range	0 - 32 characters
Default Value	(None)

### Client Certification

Details	<p>This setting is displayed when the Authentication Method is <b>EAP-TLS</b>.</p> <p>Select a client certificate to use for client authentication.</p>
Range	A certificate file used to authenticate BR-330AC-LP

Inner Authentication Method	
Details	This setting is displayed when the Authentication Method is <b>EAP-TTLS / PEAP</b> . Select the authentication protocol to use. When the Authentication Method is PEAP, the setting is fixed to MSCHAPv2.
Range	PAP / CHAP / MSCHAP / MSCHAPv2
Default Value	PAP (for EAP-TTLS)
Server Authentication	
Details	This setting is displayed when the Authentication Method is <b>EAP-TLS / EAP-TTLS / PEAP</b> . Set whether to verify the server reliability. When <b>ON</b> is selected, CA Certificate for server authentication is required.
Range	ON / OFF
Default Value	OFF
CA Certificate	
Details	This setting is displayed when the Authentication Method is <b>EAP-TLS / EAP-TTLS / PEAP</b> and the Server Authentication is <b>ON</b> . Select a CA certificate to use for server authentication.
Range	CA certificate to use for server authentication
Auto PAC Provisioning	
Details	This setting is displayed when the Authentication Method is <b>EAP-FAST</b> . Enable/Disable the automatic distribution of the PAC (Protected Access Credential).
Range	ON / OFF
Default Value	OFF
Note	When <b>OFF</b> is selected, the PAC file generated by the server will need to be registered.
PAC File Distribution	
Details	This setting is displayed when the Authentication Method is <b>EAP-FAST</b> and Auto PAC Provisioning is <b>OFF</b> . Register the PAC file issued from the server to use for manual distribution of PAC (Protected Access Credential)
Range	The PAC file issued from the server to use for manual distribution of PAC (Protected Access Credential)
PAC Password	
Details	This setting is displayed when the Authentication Method is <b>EAP-FAST</b> and Auto PAC Provisioning is <b>OFF</b> . Set a password to parse the PAC file generated by the server.
Range	0 - 63 characters
Default Value	(None)

## Wireless LAN - Detailed Configuration - Certificate Registration Status

### Client Certification

Details	When the client certificate is registered, the issuer and the valid period of the certificate are displayed.
Default Value	Not Registered

### CA Certificate

Details	When the CA certificate is registered, the issuer and the valid period of the certificate are displayed.
Default Value	Not Registered

### PAC File Distribution

Details	When the PAC file is registered, 'Registered' is displayed.
Default Value	Not Registered

## Wireless LAN - Detailed Configuration - IEEE802.1X Network Device Configuration

### Device Filter

Details	Enable/Disable filtering for the devices registered to the network device address.
Range	ON / OFF
Default Value	ON
Note	If the device filter is disabled, communication will be bridged even for devices not registered to the network device address. The device authentication (one security feature of IEEE802.1X authentication) will not be assured then.

### Client Mode

Details	Set the operating mode.
Range	Single Client Mode / Multi-Client Mode
Default Value	Multi-Client Mode

### Network Device Address

Details	This setting can be configured when the Device Filter setting is <b>ON</b> . Register the MAC address of devices to be connected to LAN port of the BR-330AC-LP when the IEEE802.1X authentication is used.
Range	MAC address (in <b>Multi-Client Mode</b> , up to 16 addresses can be registered)
Default Value	(None)
Note	One MAC Address can be registered for <b>Single Client Mode</b> while 16 MAC Addresses can be registered for <b>Multi-Client Mode</b> .



## Wireless LAN - Smart Wireless Setup - Smart Wireless Setup Execute

### PIN Code

Details	The PIN code of BR-330AC-LP is displayed.
Range	The value is automatically generated by clicking the button.
Default Value	Automatically generated

### Smart Wireless Setup Execute

Details	Execute the wireless configuration by Smart Wireless Setup.
Range	(Smart Wireless Setup Execute button)
Default Value	-

## TCP/IP - TCP/IP Configuration - General Configuration

### Host Name

Details	Set the host name. Be sure to use a unique name that is not used by other devices.
Range	1-32 characters * The following symbols and spaces cannot be used. `~!@#\$%^&*()=+[]{} ;:",<>/?
Default Value	BR330ACLP-xxxxxx (xxxxxx is the last 6 digits on MAC address.)

## TCP/IP - TCP/IP Configuration - TCP/IP Configuration

### DHCP Client

Details	Enable/Disable the DHCP protocol. To assign an IP address using DHCP, the DHCP server must be running in your subnetwork.
Range	ENABLE/DISABLE
Default Value	ENABLE

### IP Address

Details	Set the IP address. If the DHCP is enabled on your network, the IP Address obtained from it will be applied.
Range	0.0.0.0 - 255.255.255.255
Default Value	0.0.0.0

### Subnet Mask

Details	Set the subnet mask. If the DHCP is enabled on your network, the Subnet Mask obtained from it will be applied.
Range	0.0.0.0 - 255.255.255.255
Default Value	0.0.0.0
Note	When set to "0.0.0.0", a subnet mask appropriate for the IP address is automatically assigned.

Default Gateway	
Details	Set the gateway address. If "0.0.0.0" is set, this setting is disabled. When the DHCP is enabled on your network, the Default Gateway obtained from it will be applied.
Range	0.0.0.0 - 255.255.255.255
Default Value	0.0.0.0

TCP/IP - TCP/IP Configuration - NTP Configuration	
<b>NTP</b>	
Details	Enable/Disable the NTP protocol.
Range	ENABLE/DISABLE
Default Value	DISABLE
<b>NTP Server</b>	
Details	This setting can be configured when the NTP setting is <b>ENABLE</b> . Set the domain name for NTP server. When this is not set, the NTP function is disabled.
Range	1-128 characters
Default Value	pool.ntp.org
<b>Local Time Zone</b>	
Details	Set the local time zone.
Range	-12:00 - +12:00
Default Value	+9:00

Advanced - Advanced Configuration - Advanced Configuration	
<b>Network Device Address</b>	
Details	This setting can be entered when the Client Mode is <b>Single Client Mode</b> . This is the function to identify the devices connected to the wired LAN port of BR-330AC-LP. Only devices with the registered MAC address are allowed to access.
Range	MAC Address
Default Value	(None)
Note	When the MAC address is not registered, this function is disabled.
<b>Client Mode</b>	
Details	Set the operating mode.
Range	Single Client Mode / Multi-Client Mode
Default Value	Multi-Client Mode
Note	Select <b>Single Client Mode</b> to bridge only one device connected to a LAN port of the BR-330AC-LP. In <b>Single Client Mode</b> , not only TCP/IP but various communication protocols can be used. Select <b>Multi-Client Mode</b> to bridge several devices using a HUB on the LAN port of BR-330AC-LP. In <b>Multi-Client Mode</b> , only TCP/IP(IPv4, IPv6) protocol can be used.

The following items are displayed when **Client Mode** is **Multi-Client Mode**.

### Advanced - Advanced Configuration - Address Management Table Configuration

#### Address Management Table

Details	Enable/Disable the address management table feature to use in <b>Multi-Client Mode (ON/OFF)</b> . When <b>ON</b> is set, combination information of MAC address and IP address will be used from management tables (IPv4/IPv6) for connected non-wireless devices.
Range	ON / OFF
Default Value	OFF
Note	Only unicast address is supported for MAC address and IP address. BR-330AC-LP checks the existence of device information to save at 5 sec interval. If BR-330AC-LP is turned off before the saving process is completed, the device information is not saved in the address management table.

#### Management Table (for IPv4)

Details	Register combination of MAC address and IP address (IPv4).
Range	Up to 16 sets of MAC address and IP address (IPv4)
Default Value	MAC address 00:00:00:00:00:00 IP address 0.0.0.0

#### Management Table (for IPv6)

Details	Register combination of MAC address and IP address (IPv6).
Range	Up to 16 sets of MAC address and IP address (IPv6)
Default Value	MAC address 00:00:00:00:00:00 IP address ::

### Advanced - Advanced Configuration - Wired LAN Configuration

#### Link Speed

Details	Sets the link speed for the wired network. Usually, " <b>AUTO</b> " is used.
Range	AUTO / 10BASE-T-Half / 10BASE-T-Full / 100BASE-TX-Half / 100BASE-TX-Full
Default Value	AUTO
Note	If a LINK LED on the connected device does not light on when BR-330AC-LP is powered on, change the network type to that of the connected device.

### Advanced - Advanced Configuration - Wireless LAN Configuration

#### Roaming Threshold

Details	Set the roaming threshold value (1 to 60). If a greater value is set, frequency of roaming is increased, however, communication may become unstable.
Range	1 to 60
Default Value	15
Note	A time of roaming may take longer depending on the combination with other settings of BR-330AC-LP.

---

Login Password - Password Configuration	
Please input the password.	
Details	Configure the password to manage the BR-330AC-LP. This password is used for authentication to login to the Web configuration interface of BR-330AC-LP.
Range	1 - 32 characters
Default Value	(None)

---

## A-2. Troubleshooting

This section provides the solutions for possible troubles you may experience when you are installing or using the BR-330AC-LP.

### My wireless router is not displayed in the Wireless Network List of the Web configuration interface.

The wireless router may not be active.

Solution	Please check that the wireless router is operating correctly.
----------	---

The wireless router may be operating in a stealth mode.

Solution	Configure the detailed settings of the wireless network at <b>Detailed Configuration</b> of the Web configuration interface to connect to the wireless router. Remember that wireless routers operating in a stealth mode will not be displayed in the list.
----------	--

Too many wireless devices may be operating, exceeding the maximum number of devices the BR-330AC-LP can show on (up to 32 devices).

Solution	Up to 32 wireless devices can be displayed at <b>Wireless Network List</b> . Even when the wireless router is not displayed in the list, it can be connected by configuring the wireless settings at <b>Detailed Configuration</b> of the Web configuration interface.
----------	--

### I failed to connect to a wireless network using Smart Wireless Setup.

The WPS feature may be disabled on the wireless router.

Solution	Check that the wireless router supports the WPS feature. Depending on the wireless router, you may need to manually enable the WPS feature. For details, see the operating manual that came with your wireless router.
----------	--

**A LAN port error has occurred (POWER LED: Blinking rapidly, WLAN LED: OFF, STATUS LED: ON ).**

The bridge feature may be aborted as the non-wireless device is unplugged and changed to the other device on the LAN port.

Solution	Restart the BR-330AC-LP. In <b>Single Client Mode</b> , if the non-wireless device is unplugged and changed to the other device, BR-330AC-LP will abort bridging of that device, taking such occurrence as an error. Also, when the MAC address filtering is used to restrict the devices to bridge, you will need to change the setting registered to <b>Network Device Address</b> . This error does not occur in <b>Multi-Client Mode</b> . The restart is not required then.
----------	---

Several devices may have been connected to the BR-330AC-LP using a HUB, though it is operating in **Single Client Mode**.

Solution	In <b>Single Client Mode</b> , connect only one device to the LAN port of BR-330AC-LP. To use several devices, use <b>Multi-Client Mode</b> .
----------	---

**I cannot access the non-wireless device connected to a LAN port of the BR-330AC-LP.**

The BR-330AC-LP or non-wireless device may not be operating correctly.

Solution	Please check the LED status on BR-330AC-LP. Please also check that the non-wireless device is properly powered on.
----------	--

The connection may be restricted by the MAC address filtering on BR-330AC-LP.

Solution	See the setting at <b>Network Device Address</b> to check that access of the connected device is not restricted by the MAC address filtering.
----------	---

16 or more non-wireless devices may be connected when BR-330AC-LP is operating in **Multi-Client Mode**.

Solution	Check how many non-wireless devices are connected to BR-330AC-LP. Up to 16 non-wireless devices can be connected when BR-330AC-LP is operating in <b>Multi-Client Mode</b> .
----------	---

16 sets of combination information may be registered to the management table.

Solution	When BR-330AC-LP is operating in <b>Multi-Client Mode</b> and the address management table feature is enabled, up to 16 sets of combination information are automatically registered to the management table. As they are not deleted automatically after registered, please manually delete unnecessary ones.
----------	--

**The imported IEEE802.1X certificate cannot be deleted.**

It is impossible to delete the imported certificate only.	
Solution	To delete the imported certificate, initialize the BR-330AC-LP. <b>NOTE:</b> The imported certificate is validated only when it is used. Even if you keep the certificate, it has no impact on the authentication process since the imported certificate is used only with the compatible authentication method.

**I cannot connect to BR-330AC-LP in Ad hoc mode.**

BR-330AC-LP does not support Ad hoc mode.	
Solution	Only Infrastructure mode can be used.



---

## A-3. What's AMC Manager®?

---

AMC Manager® is an integrated device management software that can monitor and configure the Silex products remotely over an IP network. If AMC Manager® is used, the operating status of BR-330AC-LP units can be checked in a list view.

For AMC Manager®, there are a free version and non-free version. If the non-free version of AMC Manager® is purchased, the plug-in utility "BR Kitting Utility" can be used to configure multiple BR-330AC-LP units at once.

**Note**

- To use AMC Manager (non-free version), a license key needs to be purchased. Please contact Silex Technology to purchase a license key.
- For details on the "AMC Manager®", please visit our website.
- To use the "AMC Manager®", an IP address needs to be configured to the BR-330AC-LP.

These utilities can be downloaded from the Silex Technology's website.

Access the URL below to download it.

**<https://www.silextechnology.com/>**

Blank page