



SonicWave 681

Safety and Regulatory

Reference Guide

Regulatory Model APL66-106

SONICWALL®

Contents

SonicWall® SonicWave 681 Safety and Regulatory Information Guide	6
Mounting the SonicWave 681	7
Mounting Using Ceiling Brackets	7
Mounting Using Screws	9
Connecting PoE and Network Cables	10
Safety Information for Installation and Operation	11
Installation Requirements	11
RF Safety Distance	12
Cable Connections	12
Power Supply Information	12
Restricted Environments	12
Radio Approvals	13
Radio or Television Interference	13
Wireless Interoperability	13
Consignes de sécurité pour l'installation et l'utilisation	14
Exigences relatives à l'installation	14
Distance de sécurité RF	15
Raccordements	15
Informations sur l'alimentation électrique	15
Environnements restreints	15
Approbations radio	16
Interférence radio ou télévision	16
Interopérabilité sans fil	16
Sicherheitshinweise für den Einbau und Betrieb	17
Anforderungen an die Installation	17
HF-Sicherheitsabstand	18
Kabelverbindungen	18
Informationen zur Stromversorgung	18
Eingeschränkte Umgebungen	18
Funkzulassungen	19
Radio- oder Fernsehstörungen	19
Drahtlose Interoperabilität	19
安全信息安裝和操作	20
架設 SonicWave 681	20
使用螺絲安裝	22
連接 PoE 和網路線	22
安全須知與規範資訊	23
無線電頻率安全距離	24

纜線連接	24
電源供應器資訊	24
(台灣RoHS)/限用物質含有情況標示資訊	24
安全信息 安裝和操作	25
安裝 SonicWave 681	25
インストールと操作のための安全性情報	30
SonicWave 681 の取 付け	30
天井ブラケットを使用した取 付け	30
アンカーねじを使用した取 付け	33
PoE およびネットワークケーブルの接続	33
安全性および規制に関する情報	34
RF 安全距離	35
ケーブルの接続	35
電源に関する情報	35
설치 및 운영에 대한 안전 정보	35
SonicWave 681 마운팅	36
Informações normativas e de segurança	40
Montagem do SonicWave 681	40
Conectar cabos PoE e de rede	43
Informações normativas e de segurança	44
Conexões por cabo	45
Informações sobre a fonte de alimentação	45
Agency Specific Information	46
FCC ID: 2AKCZ-107	46
FCC, Class B	47
Radiation Exposure Statement (FCC)	48
United States of America Authorized Channels	48
Innovation, Science and Economic Development Canada Notices	49
Innovation, Sciences et Développement économique Canada Notifications	50
低功率電波輻射性電機管理辦法	51
CE Notice	51
EU and EFTA	52
Declaration of Conformity	52
Simplified EU/CE Declaration of Conformity	53
Country Selection	55
Electromagnetic Compatibility Information	55
Electromagnetic Compatibility	56
Електромагнитна съвместимост	57
电磁兼容性	59
電磁相容	59
Elektromagnetska kompatibilnost	60
Elektromagnetická kompatibilita	61
Elektromagnetisk kompatibilitet	62
Elektromagnetische compatibiliteit	63

Elektromagnetiline ühilduvus	65
Sähkömagneettisella yhteensopivuudella	66
Compatibilité électromagnétique	67
Elektromagnetischer Verträglichkeit	68
Ηλεκτρομαγνητική συμβατότητα	69
Elektromágneses kompatibilitás	70
Compatibilità elettromagnetica	71
電磁的兩立性	73
전자기 호환성	74
Elektromagnētiskā saderība	75
Elektromagnetinis suderinamumas	76
Kompatibilità elettromanjetika	77
Zgodność elektromagnetyczna	78
Compatibilidade eletromagnética	79
Электромагнитной совместимостью	80
Elektromagnetna združljivost	82
Compatibilidad electromagnética	83
ความเข้ากันได้ ทางแม่เหล็กไฟฟ้า	84
Elektromanjetik uyumluluk	85
EMC Agency Specific Information	86
FCC, Class B	88
Industry Canada, Class B	88
Industry Canada, Classe B	88
European Union, Class B	89
Европейски съюз, Клас В	89
CE Notice	89
CE обозначение	89
Upozornění CE	89
Evropská unie, třída B	89
Bemærkning vedr. CE	90
Den Europæiske Union, Klasse B	90
CE-kennisgeving	90
Europese Unie/Klasse B	90
CE-vastavusmärgis	90
Euroopa Liit, Klass B	90
CE-ilmoitus	91
Euroopan unioni, luokka B	91
Avis de la CE	91
Union européenne, Classe B	91
CE-Hinweise	91
Europäische Union, Klasse B	91
Σήμα CE	92
Ευρωπαϊκή Ένωση, Κατηγορία Β	92
CE jelzés	92
Európai Unió, „B” osztály	92

Avviso CE	92
Unione Europea, Classe B	92
CE paziņojums	93
Eiropas Savienība, klase B	93
CE pastaba	93
Europos Sąjunga, B klasė	93
Avviž CE	93
Unjoni Ewropea, Klassi B	93
Oznaczenie CE	94
Unia Europejska, klasa B	94
Aviso da CE	94
União Europeia, Classe B	94
Notificare CE	94
Uniunea Europeană, Clasa B	94
Poznámka o značce CE	95
Európska únia, Trieda B	95
Obvestilo CE	95
Evropska unija, razred B	95
Notificación del CE	95
Unión Europea, Clase B	95
CE-meddelande	96
Europeiska unionen, klass B	96
Tüketicik Elektronikleri Bildirisi	96
Avrupa Birliği, B Sınıfı	96
KCC, B 등급 장비 (가정용 정보/원격 통신 장비)	96
BSMI 通告 (僅限於台灣)	97
SonicWall Support	98
About This Document	99

SonicWall[®] SonicWave 681 Safety and Regulatory Information Guide

Regulatory Model Number APL66-106

August 2022

Products with “UL 2043” printed on their product labels are within the limit specified in the “UL 2043 Standard for Fire Test for Heat and Visible Smoke Release for Discrete Products Installed in Air-Handling Spaces” (Plenum). Applies only when powered through PoE. The PoE power supply is not covered the by the UL 2043 evaluation of this Access Point.

This document contains safety and regulatory information for the SonicWall SonicWave 681. The SonicWave 681 is a wireless access point with an internal wireless radio that can provide wireless access on either 5GHz or 2.4GHz and supports the 802.11 ac/n/g/a/b standards.

Topics:

- [Mounting the SonicWall 681](#)
- [Connecting PoE and Network Cables](#)
- [Safety Information for Installation and Operation](#)
- [Consignes de sécurité pour l'installation et l'utilisation](#)
- [Sicherheitshinweise für den Einbau und Betrieb](#)
- [安全信息 安装和 操作](#)
- [安全信息 安装和 操作](#)
- [インストールと操作のための安全性情報](#)
- [설치 및 운영에 대한 안전 정보](#)
- [Informações normativas e de segurança](#)
- [Agency Specific Information](#)
- [Electromagnetic Compatibility Information](#)
- [EMC Agency Specific Information](#)

Mounting the SonicWave 681

You can mount your SonicWave 681 to a wall or ceiling using the same bracket, or you can simply set it on a flat surface. For safety tips when mounting the SonicWave 681, see [Safety information for installation and operation](#).

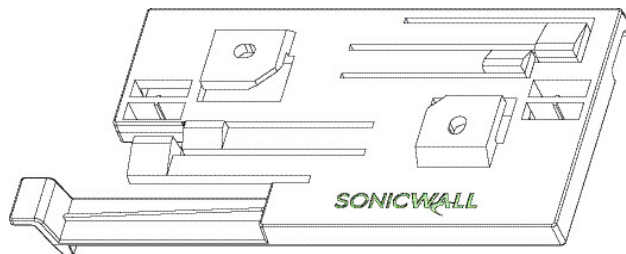
Topics:

- [Mounting Using Ceiling Brackets](#)
- [Mounting Using Screws](#)

Mounting Using Ceiling Brackets

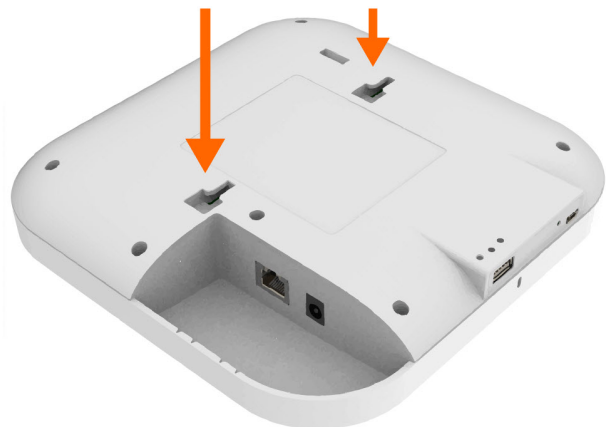
The SonicWave 681 comes with a ceiling/wall mounting bracket and screws. This section describes how to use the mounting hardware to attach the SonicWave to the ceiling or an indoor wall.

CEILING BRACKET



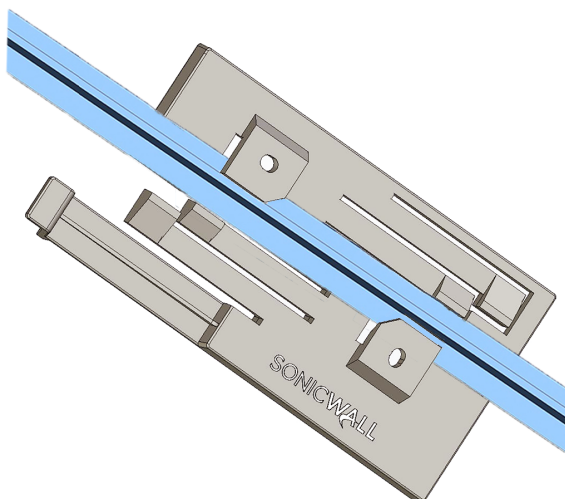
The underside of the SonicWave 681 has two mounting bracket insertion points where you can click the bracket tabs in to help secure the unit to the wall or ceiling, or to a ceiling T-bar. Use these mounting bracket insertion points to attach the bracket to the SonicWave 681.

MOUNTING BRACKET INSERTION POINTS



To attach to a ceiling T-bar:

1. Attach the mounting bracket to the underside of the SonicWave .
2. Supporting the SonicWave in one hand, position the edge clips of the bracket over the edge of the ceiling T-bar.
3. Rotate the SonicWave counterclockwise (to the left when looking up at it) until the bracket is securely attached to the T-bar.

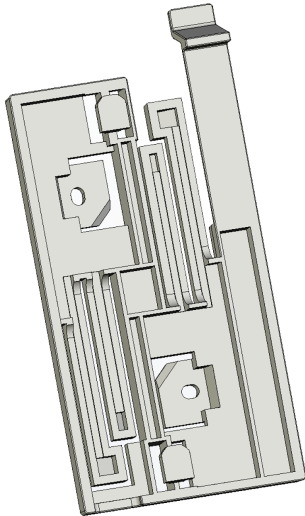


To remove the original configuration SonicWave 681 from the ceiling T-Bar, gently pressing upward, rotate it clockwise (to the right when looking up at it) until the bracket detaches from the crossbar.

CEILING/WALL BRACKET

The SonicWave 681 comes with a mounting bracket so it can be mounted on the ceiling or other flat surface. The same bracket used as a ceiling T-bar mount, can also be mounted on a ceiling (or wall) using either the two provided anchors and screws. For mounting on a flat surface, holes in the bracket ceiling T-bar clips provide insertion points for screws. Use #6 (3.5mm) zinc plated pan head machine screws (sheet metal screws) of length

1.25 inches (31.75 mm). When mounting on drywall, anchors should be used. Anchors must accommodate the screws and be rated to hold at least 10 lbs (4.5 kg).



The underside of the SonicWave 681 has two insertion points where you can hang the SonicWave by two plastic insertion stubs located on the underside of the ceiling bracket. You can use these insertion stubs to attach the bracket to the SonicWave 681 after the bracket has been installed on a ceiling or wall.

Mounting Using Screws

To mount the SonicWave 681 using screws:

1. Measure the distance between the two screw attachment points on the underside of the SonicWave ceiling bracket.
2. On the mounting surface, mark the locations for the two screw insertion points.
3. Drill pilot holes at the marked locations. For a wood surface, use a drill bit that is appropriate for the screws. For drywall, use a drill bit that is appropriate for the anchors.
4. For drywall, screw in the anchors.
5. Insert the screws into the wall or anchors, and screw them in deep enough to leave minimal space between the screw heads and the wall surface.
6. Supporting the SonicWave in your hands, securely fit the underside slots of the SonicWave onto the screw heads.

Connecting PoE and Network Cables

This section describes how to connect the PoE and network cables to the SonicWave 681. For best results, first connect the cables and then mount the SonicWave to the ceiling or wall. The SonicWave 681 is powered by a power adapter or by Power over Ethernet (PoE) (both sold separately). SonicWall recommends using CAT 5e cables to connect PoE to the SonicWave.

CAUTION: When using PoE to power the device, an 802.3at compliant PoE injector, PoE enabled switch, or SonicWall PoE enabled appliance is required to provide power to each SonicWave 681. To maintain power to the SonicWave 681, the maximum length of CAT 5e cable from the PoE device to the SonicWave 681 is 100 meters (333 feet).

To connect the SonicWave 681 to PoE and the network:

1. Using an Ethernet cable, connect the **Data in** port on the PoE Injector or switch to an interface on your network device. If using a SonicWall firewall, connect it to an existing WLAN zone interface on the firewall or to an unused interface to be configured later in SonicOS.
2. Using a second Ethernet cable, connect the **Data and Power Out** port on the PoE injector to the **LAN/PoE** port on your SonicWave 681. This provides your main Ethernet and PoE connection.



Refer to your PoE guide for more information.

3. Plug the power cord of the PoE Injector into an appropriate power outlet.
4. Wait up to two minutes for the **LAN LED** on the SonicWave 681 to illuminate. This indicates an active connection.
5. Optionally connect the **CONSOLE** port using an mini USB cable, for command line management.



Safety Information for Installation and Operation

Topics:

- [Installation Requirements](#)
- [RF Safety Distance](#)
- [Cable Connections](#)
- [Power Supply Information](#)
- [Restricted Environments](#)
- [Radio Approvals](#)
- [Radio or Television Interference](#)
- [Wireless Interoperability](#)

Products with “UL 2043” printed on their product labels are within the limit specified in the “UL 2043 Standard for Fire Test for Heat and Visible Smoke Release for Discrete Products Installed in Air-Handling Spaces” (Plenum). Applies only when powered through PoE and plenum-rated cable assemblies. The PoE power supply is not covered by the UL 2043 evaluation of this Access Point.

① **NOTE:** Additional regulatory notifications and information for this product can be found online at: <https://www.sonicwall.com/support/technical-documentation>.

SonicWave 681 complies with FCC U-NII New Rules.

Regulatory Model/Type	Product Name
APL66-106	SonicWave 681

Installation Requirements

⚠ | WARNING: The following conditions are required for proper installation:

1. Mount in a location away from direct sunlight and sources of heat. A maximum ambient temperature of 104° F (40° C) is recommended.
2. Route cables away from power lines, fluorescent lighting fixtures, and sources of noise such as radios, transmitters, and broadband amplifiers.
3. Ensure that no water or excessive moisture can enter the unit.
4. Allow unrestricted airflow around the unit. A minimum of 1 inch (25.44mm) clearance is recommended.
5. Consideration must be given to the connection of the equipment to the supply circuit. Appropriate consideration of equipment nameplate ratings must be used when addressing this concern. Do not overload the circuit.

6. This equipment is not intended for use at workplaces with visual display units, in accordance with §2 of the German ordinance for workplaces with visual display units. To avoid incommoding reflections at visual display workplaces, this device must not be placed in the direct field of view.

RF Safety Distance

The antennas used for this transmitter must be installed to provide a separation distance of at least 36 cm from all persons and must not be co-located or operating in conjunction with another antenna or transmitter.

Cable Connections

All Ethernet and RS232 (Console) cables are designed for intra-building connection to other equipment. Do not connect these ports directly to communication wiring or other wiring that exits the building where the appliance is located.

Power Supply Information

When this product's power is provided by the Ethernet cable plugged in to the "LAN/POE" port, this is called "Power over Ethernet" or "PoE". The PoE source should only be UL listed marked "Class 2" or "LPS" with an output rated 48 VDC, minimum 0.3 A, Tma: minimum 40 °C.

When powering with an external power adapter by way of a barrel jack, use only UL-listed power supplies marked "Class 2" or "LPS" with an output rated at 12Vdc, minimum 3.0A, Tma: minimum 40 degrees C. The external power adapter is not provided with this product but can be purchased from SonicWall. Reliable grounding of external power adapter purchased from SonicWall must be maintained. Particular attention must be given to power supply connections other than direct connections to the branch circuits, such as power strips.

Restricted Environments

The SonicWall 681 wireless device, like other radio devices, emits radio frequency electromagnetic energy. The SonicWall wireless device operates within the guidelines found in radio frequency safety and recommendations. These standards and recommendations reflect the consensus of the scientific community and result from deliberations of panels and committees of scientists who continually review and interpret the extensive research literature. In some situations or environments, the use of the SonicWall wireless device could be restricted by the proprietor of the building or responsible representatives of the applicable organization.

Examples of such situations include the following:

- Using the SonicWall wireless device equipment on board airplanes, or
- Using the SonicWall wireless device equipment in any other environment where the risk of interference with other devices or services is perceived or identified as being harmful.

If you are uncertain of the policy that applies to the use of wireless devices in a specific organization or environment (an airport, for example), you are encouraged to ask for authorization to use the SonicWall wireless device before you turn it on.

⚠ WARNING: Explosive Device Proximity Warning: Do not operate a portable transmitter (such as a wireless network device) near unshielded blasting caps or in an explosive environment unless the device has been modified to be qualified for such use.

⚠ WARNING: Use on Aircraft Caution: Regulations of the FCC and FAA prohibit airborne operation of radio-frequency wireless devices because their signals could interfere with critical aircraft instruments.

Radio Approvals

It is important to ensure that you only use your radio device in countries where the device is approved for use. To determine whether you are allowed to use your wireless network device in a specific country, check to see if the radio type number that is printed on the identification label of your device or listed on the radio approval list posted on the general SonicWall support site at: <https://www.sonicwall.com/support>.

Radio or Television Interference

The SonicWall SonicWave 681 wireless network device must be installed and used in strict accordance with the manufacturer's instructions as described in the user documentation that comes with the product. SonicWall Inc. is not responsible for any radio or television interference caused by unauthorized modification of the devices included with this SonicWall Wireless device kit, or the substitution or attachment of connecting cables and equipment other than that specified by SonicWall Inc. The correction of interference caused by such unauthorized modification, substitution or attachment is the responsibility of the user. SonicWall Inc. and its authorized resellers or distributors are not liable for any damage or violation of government regulations that may arise from the user failing to comply with these guidelines.

Wireless Interoperability

SonicWall 681 is designed to be interoperable with any wireless LAN product that complies with 802.11 (2016) +802.11ax standard:

- IEEE 802.11a\ac\ax Standard on 5 GHz Wireless LAN
- IEEE 802.11b-1999 Standard on 2.4 GHz Wireless LAN
- IEEE 802.11g Standard on 2.4 GHz Wireless LAN
- IEEE 802.11n Standard on 2.4 GHz and 5 GHz Wireless LAN

- Wi-Fi CERTIFIED 6™ per Wi-Fi Alliance® (<https://www.wi-fi.org>)



Consignes de sécurité pour l'installation et l'utilisation

- Exigences relatives à l'installation
- Distance de sécurité RF
- Raccordements
- Informations sur l'alimentation électrique
- Environnements restreints
- Approbations radio
- Interférence radio ou télévision
- Interopérabilité sans fil

Exigences relatives à l'installation

⚠ CAUTION: Les conditions suivantes sont requises pour une installation correcte.

1. Procédez au montage dans un endroit à l'abri des rayons du soleil et des sources de chaleur. Une température ambiante maximale de 40 °C (104 °F) est recommandée.
2. Faites passer les câbles à une distance raisonnable des lignes électriques, des luminaires pour lampes fluorescentes et des sources de bruit telles que les radios, les émetteurs et les amplificateurs à large bande.
3. Veillez à éviter tout contact de l'appareil avec de l'eau ou une humidité excessive.
4. Veillez à ce que l'air puisse circuler librement autour de l'appareil. Laissez un espace d'au moins 26 mm.
5. Portez une attention particulière au raccordement de l'équipement au circuit d'alimentation, de manière à ce qu'une éventuelle surcharge des circuits ait un impact minime sur la protection contre les surintensités et sur les câbles d'alimentation. Respectez pour cela les mentions figurant sur la plaque d'identification du produit.

Distance de sécurité RF

Les antennes utilisées avec cet émetteur doivent être installées de manière à laisser une distance de sécurité d'au moins 36 cm avec toute personne se trouvant à proximité. Les antennes ne doivent pas être situées à proximité d'autres antennes ou émetteurs et ne doivent pas être utilisées conjointement avec ces derniers.

Raccordements

Tous les câbles Ethernet et RS232 (console) sont conçus pour la connexion à d'autres appareils à l'intérieur d'un même bâtiment. Ne reliez pas ces ports directement à des câbles de communication ou à d'autres câbles qui sortent du bâtiment dans lequel se trouve l'appareil SonicWall.

Informations sur l'alimentation électrique

Lorsque ce produit est alimenté par le câble Ethernet connecté au port "LAN/POE"; ce type d'alimentation est appelé "Power over Ethernet" ou "PoE". La source d'alimentation par câble Ethernet (PoE) utilisée doit impérativement être homologuée UL, porter la mention "Classe 2" ou "LPS", et avoir une puissance de sortie nominale de 48 V CC, 0,3 A minimum, TA : 40 °C.

Lors de l'alimentation via un adaptateur d'alimentation externe via une prise à barillet, utilisez uniquement une alimentation homologuée UL portant la mention "Classe 2" ou "LPS" avec une sortie nominale de 12 V CC, min. 3,0A, Tma: minimum 40 degrés C. L'adaptateur d'alimentation externe n'est pas fourni avec ce produit, mais peut être acheté auprès de SonicWall. La mise à la terre fiable de l'adaptateur d'alimentation externe acheté auprès de SonicWall doit être maintenue. Une attention particulière doit être portée aux connecteurs d'alimentation de courant autre que ceux branchés à un circuit de dérivation, comme les blocs multiprises.

Environnements restreints

L'appareil sans fil SonicWall, comme les autres appareils radio, émet de l'énergie électromagnétique de radiofréquence. L'appareil sans fil SonicWall fonctionne dans le respect des consignes de sécurité et des recommandations relatives aux radiofréquences. Ces normes et recommandations reflètent le consensus de la communauté scientifique et résultent des délibérations de panels et de comités de scientifiques qui examinent et interprètent en permanence l'abondante littérature de recherche. Dans certaines situations ou certains environnements, l'utilisation de l'appareil sans fil SonicWall peut être restreinte par le propriétaire du bâtiment ou les représentants responsables de l'organisation concernée.

Voici des exemples de telles situations:

- Utilisation de l'équipement de périphérique sans fil SonicWall à bord des avions, ou
- Utilisation de l'équipement de l'appareil sans fil SonicWall dans tout autre environnement où le risque d'interférence avec d'autres appareils ou services est perçu ou identifié comme étant nuisible.

Si vous n'êtes pas sûr de la politique qui s'applique à l'utilisation d'appareils sans fil dans une organisation ou un environnement spécifique (un aéroport, par exemple), nous vous encourageons à demander l'autorisation d'utiliser l'appareil sans fil SonicWall avant de l'allumer.

⚠ WARNING: Avertissement relatif à la proximité d'un appareil explosif : n'utilisez pas un émetteur portable (tel qu'un appareil de réseau sans fil) à proximité de détonateurs non blindés ou dans un environnement explosif à moins que l'appareil n'ait été modifié pour être qualifié pour une telle utilisation.

⚠ WARNING: Utilisation en avion Attention : les réglementations de la FCC et de la FAA interdisent l'utilisation en vol d'appareils sans fil à radiofréquence car leurs signaux pourraient interférer avec les instruments critiques de l'avion.

Approbations radio

Il est important de s'assurer que vous n'utilisez votre appareil radio que dans les pays où l'utilisation de l'appareil est approuvée. Pour déterminer si vous êtes autorisé à utiliser votre périphérique réseau sans fil dans un pays spécifique, vérifiez si le numéro de type de radio imprimé sur l'étiquette d'identification de votre périphérique ou répertorié sur la liste d'approbation radio publiée sur le site d'assistance général de SonicWall à l'adresse: <https://www.sonicwall.com/support>.

Interférence radio ou télévision

Le périphérique réseau sans fil SonicWall SonicWave 681 doit être installé et utilisé en stricte conformité avec les instructions du fabricant décrites dans la documentation utilisateur fournie avec le produit. SonicWall Inc. n'est pas responsable des interférences radio ou télévision causées par une modification non autorisée des appareils inclus dans ce kit d'appareils sans fil SonicWall, ou la substitution ou la fixation de câbles de connexion et d'équipements autres que ceux spécifiés par SonicWall Inc. La correction des interférences causées par une telle modification, substitution ou pièce jointe non autorisée relève de la responsabilité de l'utilisateur. SonicWall Inc. et ses revendeurs ou distributeurs agréés ne sont pas responsables des dommages ou de la violation des réglementations gouvernementales pouvant résulter du non-respect de ces directives par l'utilisateur.

Interopérabilité sans fil

SonicWave 681 est conçu pour être interopérable avec tout produit LAN (réseau local) sans fil conforme à la norme 802.11 (2016) +802.11ax.

- 802.11a\ac\ax sur LAN sans fil 5 GHz
- Norme IEEE 802.11b-1999 sur LAN sans fil 2,4 GHz
- Norme IEEE 802.11g sur LAN sans fil 2,4 GHz
- Norme IEEE 802.11n sur LAN sans fil 2,4 GHz et 5 GHz

- Wi-Fi CERTIFIED 6™ per Wi-Fi Alliance® (<https://www.wi-fi.org>)



Sicherheitshinweise für den Einbau und Betrieb

- [Anforderungen an die Installation](#)
- [HF-Sicherheitsabstand](#)
- [Kabelverbindungen](#)
- [Informationen zur Stromversorgung](#)
- [Eingeschränkte Umgebungen](#)
- [Funkzulassungen](#)
- [Radio- oder Fernsehstörungen](#)
- [Drahtlose Interoperabilität](#)

Anforderungen an die Installation

⚠ | CAUTION: Für eine ordnungsgemäße Montage sollten die folgenden Hinweise beachtet werden.

1. Wählen Sie für die Montage einen Ort, der keinem direkten Sonnenlicht ausgesetzt ist und sich nicht in der Nähe von Wärmequellen befindet. Die Umgebungstemperatur darf nicht mehr als 40 °C betragen.
2. Führen Sie die Kabel nicht entlang von Stromleitungen, Leuchtstoffröhren und Störquellen wie Funksendern oder Breitbandverstärkern.
3. Stellen Sie sicher, dass das Gerät vor Wasser und hoher Luftfeuchtigkeit geschützt ist.
4. Stellen Sie sicher, dass die Luft um das Gerät herum zirkulieren kann. Hier ist ein Belüftungsabstand von mindestens 26 mm einzuhalten.
5. Prüfen Sie den Anschluss des Geräts an die Stromversorgung, damit der Überstromschutz sowie die elektrische Leitung nicht von einer eventuellen Überlastung der Stromversorgung beeinflusst wird. Prüfen Sie dabei sorgfältig die Angaben auf dem Aufkleber des Geräts. Überlasten Sie nicht den Stromkreis.
6. Dieses Gerät ist nicht zur Verwendung an Arbeitsplätzen mit visuellen Anzeigegeräten gemäß § 2 der deutschen Verordnung für Arbeitsplätze mit visuellen Anzeigegeräten vorgesehen. Um störende Reflexionen am Bildschirmarbeitsplatz zu vermeiden, darf dieses Produkt nicht im unmittelbaren Gesichtsfeld platziert werden.

HF-Sicherheitsabstand

Die für diesen Sender verwendeten Antennen müssen so installiert werden, dass ein Mindestabstand von 36 cm zu allen Personen besteht, und dürfen nicht zusammen mit einer anderen Antenne oder einem anderen Sender aufgestellt oder betrieben werden.

Kabelverbindungen

Alle Ethernet- und RS232-C-Kabel eignen sich für die Verbindung von Geräten in Innenräumen. Schließen Sie an die Anschlüsse der SonicWall keine Kabel an, die aus dem Gebäude herausgeführt werden, in dem sich das Gerät befindet.

Informationen zur Stromversorgung

Wenn die Stromversorgung durch das Ethernet-Kabel an den "LAN/POE" Anschluss erfolgt, wird dies als "Power over Ethernet" oder "PoE" bezeichnet. Die PoE Versorgung darf nur durch eine für den europäischen Markt genehmigte und mit dem Logo "LPS" versehene Lösung mit einer Ausgangsleistung von 48 V DC, min. 0.3A, TMA: min. 40°C erfolgen.

Wenn dieses Produkt mit einem externen Netzteil betrieben werden soll, sollte nur ein für den europäischen Markt genehmigtes Netzteil mit dem Logo "I.T.E. LPS" und einer Ausgangsleistung von 12 VDC, min. 3,0A, Tma: min. 40 Grad C, verwendet werden. Ein externes Netzteil wird nicht mitgeliefert, kann aber separat von SonicWall erworben werden. Eine zuverlässige Erdung eines von SonicWall erworbenen Netzteils muss sichergestellt sein. Insbesondere muss auf einen indirekten Anschluss an Stromquellen geachtet werden wie z.B. bei Verwendung von Stromverteilern bzw. Mehrfachsteckdosen.

Eingeschränkte Umgebungen

Das drahtlose SonicWall-Gerät sendet wie andere Funkgeräte hochfrequente elektromagnetische Energie aus. Das drahtlose SonicWall-Gerät arbeitet innerhalb der Richtlinien, die in Hochfrequenzsicherheit und -empfehlungen zu finden sind. Diese Standards und Empfehlungen spiegeln den Konsens der wissenschaftlichen Gemeinschaft wider und resultieren aus Beratungen von Gremien und Ausschüssen von Wissenschaftlern, die die umfangreiche Forschungsliteratur kontinuierlich prüfen und interpretieren. In einigen Situationen oder Umgebungen kann die Verwendung des drahtlosen SonicWall-Geräts durch den Eigentümer des Gebäudes oder verantwortliche Vertreter der zuständigen Organisation eingeschränkt werden.

Beispiele für solche Situationen sind die folgenden:

- Verwenden der drahtlosen Geräte von SonicWall an Bord von Flugzeugen oder
- Verwendung des drahtlosen Geräts in einer anderen Umgebung, in der das Risiko einer Interferenz mit anderen Geräten oder Diensten als schädlich empfunden oder identifiziert wird.

Wenn Sie sich nicht sicher sind, welche Richtlinie für die Verwendung von Wireless-Geräten in einer bestimmten Organisation oder Umgebung (z. B. einem Flughafen) gilt, sollten Sie vor dem Einschalten eine Genehmigung zur Verwendung des Wireless-Geräts von SonicWall anfordern.

⚠ WARNING: Warnung vor der Nähe explosiver Geräte: Betreiben Sie einen tragbaren Sender (z. B. ein drahtloses Netzwerkgerät) nicht in der Nähe von nicht abgeschirmten Sprengkapseln oder in einer explosiven Umgebung, es sei denn, das Gerät wurde so modifiziert, dass es für eine solche Verwendung geeignet ist.

⚠ WARNING: Verwendung in Flugzeugen Achtung: Die Vorschriften der FCC und der FAA verbieten den Betrieb von drahtlosen Hochfrequenzgeräten in der Luft, da ihre Signale kritische Flugzeuginstrumente stören könnten.

Funkzulassungen

Es ist wichtig sicherzustellen, dass Sie Ihr Funkgerät nur in Ländern verwenden, in denen das Gerät zur Verwendung zugelassen ist. Um festzustellen, ob Sie Ihr drahtloses Netzwerkgerät in einem bestimmten Land verwenden dürfen, prüfen Sie, ob die Typennummer des Funkgeräts, die auf dem Typenschild Ihres Geräts aufgedruckt oder in der Funkzulassungsliste auf der allgemeinen SonicWall-Support-Website unter aufgeführt ist: <https://www.sonicwall.com/support>.

Radio- oder Fernsehstörungen

The SonicWall SonicWave 681 wireless network device must be installed and used in strict accordance with the manufacturer's instructions as described in the user documentation that comes with the product. SonicWall Inc. is not responsible for any radio or television interference caused by unauthorized modification of the devices included with this SonicWall Wireless device kit, or the substitution or attachment of connecting cables and equipment other than that specified by SonicWall Inc. The correction of interference caused by such unauthorized modification, substitution or attachment is the responsibility of the user. SonicWall Inc. and its authorized resellers or distributors are not liable for any damage or violation of government regulations that might arise from the user failing to comply with these guidelines.

Drahtlose Interoperabilität

SonicWave 681 ist so konzipiert, dass er mit allen Wireless LAN Produkten interoperabel ist, die dem Standard 802.11 (2016) + 802.11ax entsprechen.

- IEEE 802.11a\ac\ax-Standard für 5-GHz-WLAN
- IEEE 802.11b-1999-Standard für 2,4-GHz-Wireless-LAN
- IEEE 802.11g-Standard für 2,4-GHz-Wireless-LAN
- IEEE 802.11n-Standard für 2,4-GHz- und 5-GHz-Wireless-LAN

- Wi-Fi CERTIFIED 6™ per Wi-Fi Alliance® (<https://www.wi-fi.org>)



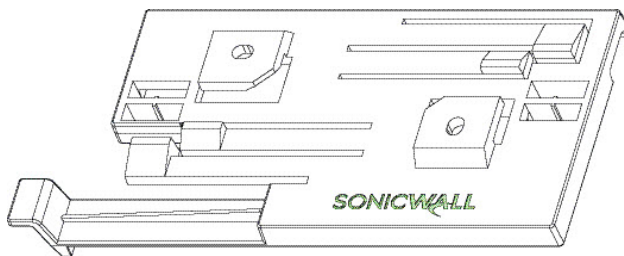
安全信息安裝和操作

- 架設 SonicWave 681
- 安裝支架(2)
- 安裝支架(3)
- 連接 PoE 和網路線
- 安全須知與規範資訊
- 無線電頻率安全距離
- 纜線連接
- 電源供應器資訊
- (台灣RoHS)/限用物質含有情況標示資訊

架設 SonicWave 681

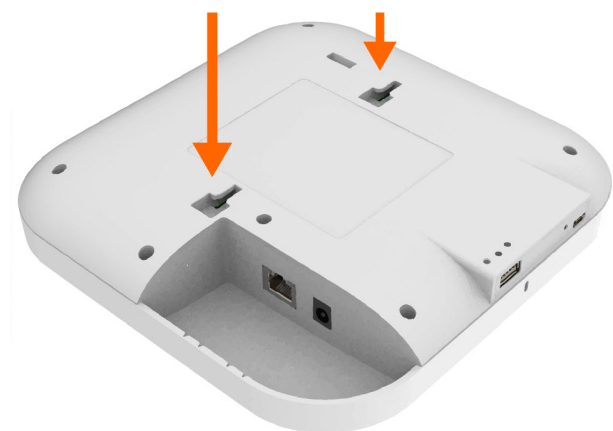
您可以將 SonicWave 681 架設於牆上或天花板，或是直接擺放在平面上。

安裝支架



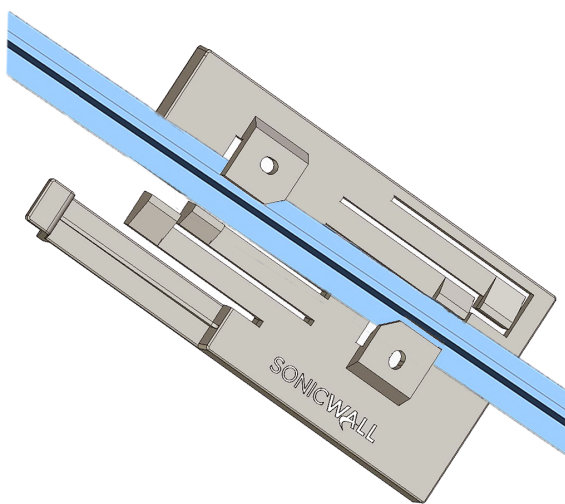
SonicWave 681 的底面有兩個插入孔，可插入隨附的螺絲，然後將天花板安裝支架固定至 SonicWave 681，或將 SonicWave 固定至牆面上。

安裝支架插入點



若要將 SonicWave 681 固定至天花板的 T 型支架

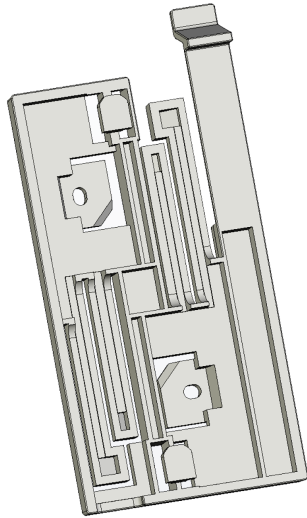
1. 使用隨附的兩顆螺絲，將安裝支架固定到 SonicWave 的底面。
2. 一手支撐 SonicWave，將支架的邊緣固定夾對準天花板 T 型支架的邊緣。
3. 逆時針方向 (抬頭看著它時為向左) 旋轉 SonicWave，直到支架牢牢固定於 T 型支架上。



若要從天花板 T 型支架上拆下 SonicWave，請輕輕向上壓入並朝順時針方向 (抬頭看著它時為向右) 旋轉它，直到支架與 T 型支架分離。

天花板/牆壁支架

SonicWave 681 帶有安裝支架，因此可以安裝在天花板或其他平面上。用作天花板 T 型桿安裝的同一支架也可以使用提供的兩個錨和螺釘安裝在天花板 (或牆壁) 上。為了安裝在平坦的表面上，支架天花板 T 形夾上的孔為螺釘提供插入點。使用長度為 1.25 英寸 (31.75 毫米) 的 #6 (3.5 毫米) 鍍鋅盤頭機器螺釘 (鍍金螺釘)。在幹牆上安裝時，應使用錨。錨固件必須能容納螺釘，並且額定承載力至少為 10 磅 (4.5 千克)。



SonicWave 的下側有兩個插入點，您可以通過位於天花板支架下側的兩個塑料插入短柱懸掛 SonicWave。在將支架安裝到天花板或牆壁上後，您可以使用這些插入接頭將支架連接到 SonicWave 681。

使用螺絲安裝

若要使用螺絲將 **SonicWave** 架設至牆面上：

1. 測量 SonicWave 天花板支架下側的兩個螺釘連接點之間的距離。
2. 在安裝面上，標記兩個螺釘插入點的位置。
3. 在標記的位置鑽導向孔。對於木質表面，請使用適合螺釘的鑽頭。對於乾牆，請使用適合錨固件的鑽頭。
4. 對於乾牆，擰入錨。
5. 將螺釘插入牆壁或錨固件，並將它們擰入足夠深，以在螺釘頭和牆壁表面之間留下最小的空間。
6. 將 SonicWave 握在手中，將 SonicWave 的底部插槽牢固地安裝到螺釘頭上。

連接 PoE 和網路線

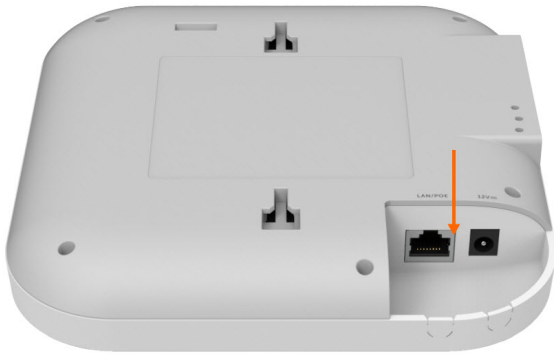
本節說明將 PoE 和網路線連接至 SonicWave 681 的方式。為求最佳效果，請先連接網路線，再將 SonicWave 安裝至天花板或牆面上。SonicWave 681 採用變壓器 (另售) 或乙太網路供電 (PoE) (另售) 來供電。SonicWall 建議使用 CAT 5e 纜線將 PoE 連接至存取點。

△ CAUTION: 注意：在使用 PoE 為裝置電時，須使用符合 802.3at 標準的 PoE 轉換器、具備 PoE 功能的交換器，或 SonicWall 具備 PoE 功能的設備，對每一台 SonicWave 681 提供電力。

為了維持 SonicWave 681 所需的電力，連接 PoE 裝置與 SonicWave 681 的 CAT 5e 纜線長度最長不可超過 100 公尺 (333 英尺)。

如要將 SonicWave 681 連接至 PoE 和網路：

1. 使用乙太網路線，將 PoE 轉換器或交換器上的資料輸入連接埠連接到您網路裝置上的介面。如果使用 SonicWall 防火牆，則請連接到防火牆上現有的 WLAN 區介面，或是連接到未使用的介面，方便稍後於牆上現有的 WLAN 區介面，或是連接到未使用的介面，方便稍後於 SonicOS 中進行設定。
2. 使用另一條乙太網路線將 PoE 轉換器上的資料和電源輸出連接埠連接到 SonicWave 681 上的 **LAN LED** 連接埠。這就是您的主要乙太網路和 PoE 連線。
請參閱 PoE 安裝指南以瞭解更多資訊。



請參閱 PoE 安裝指南以瞭解更多資訊。

3. 將符合 PoE 轉換器電源線插入適當的電源插座。
4. 等候兩分鐘，SonicWave 681 的 **LAN LED** 隨即亮起。這表示連線開始作用。
5. 可選擇使用迷你 USB 電纜連接 **CONSOLE** 端口，以進行命令行管理。



安全須知與規範資訊

產品標籤上印有「UL 2043」的產品符合「UL 2043 Standard for Fire Test for Heat and Visible Smoke Release for Discrete Products Installed in Air-Handling Spaces」(Plenum) 中所規範的限制。僅適用於透過 PoE 供電的情況。PoE 電源供應器並未涵蓋在 UL 2043 對此存取點的評估範圍內。

規格型號

規格機型/類型	產品名稱
APL66-106	SonicWave 681

⚠ | WARNING: 警告:正確安裝需要符合以下條件。

1. 避免安裝於陽光直射處和熱源所在位置。建議的最高環境溫度為 104°F (40°C)。
2. 接線路徑請避開電線、日光燈具及雜訊來源，像是無線電、發射器和寬頻強波器。
3. 確認不會有水或大量濕氣進入裝置。
4. 裝置周圍的通風與流過裝置旁的氣流不應受阻。建議的至少應相隔 1 吋 (26 公釐)。
5. 務必考量設備與供電電路之間的連接。因應上述考量時，務必採用設備名牌上的額定值。勿讓電路過載。

無線電頻率安全距離

務必安裝用於此發射器的天線，才能確保距離所有人員的間隔距離至少為 36 公分，且不得與其他天線或發射器共置同一空間或聯合操作。

纜線連接

所有乙太網路與 RS232 (主控台) 線路，均為與建築物內其他設備連接所設計。請不要將這些連接埠直接連接至通訊線路，或其他連出 SonicWall 裝置所在建築物的其他線路。

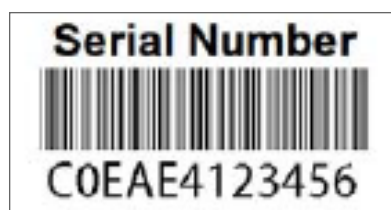
電源供應器資訊

當本產品的電源由插入“LAN/POE”端口的乙太網電纜提供時，這稱為“乙太網供電”或“PoE”。PoE 電源只能是 UL 列出的標有“2 類”或“LPS”的輸出，額定輸出為 48 VDC，最低 0.3 A，Tma: 最低 40 °C。

當使用圓筒式插頭的外置式電源供應器供電時，使用的電源供應器來源應僅限 UL 列出的標有“2 類”或“LPS”的設備，額定輸出為 12 VDC，最低 3.0 A，Tma: 最低 40 °C。外置式電源供應器並無隨此產品提供，但是可向 SonicWall 購買。從 SonicWall 所購買的外置式電源供應器的接地必須保持穩定連接。必須特別注意直接連接到市電以外的連接，如延長線。

① | **NOTE:** 如需本产品对应的额外监管通知和信息，请访问 <https://www.sonicwall.com/zh-cn/support>。

(台灣 RoHS)/限用物質含有情況標示資訊



商品名稱: 無線網路基地台

型號: SonicWave 681, APL66-106

額定電壓 (PoE): 48Vdc 額定輸入電流 (變壓器): 0.6A Max

製造年份: 參考產品標籤及外箱標籤之製造日數字號碼之前兩碼, 例如: S-15039, 則製造年份為2015年

製造號碼: 參考產品標籤及外箱標籤之產品序號, 例如: , 則製造號碼為 C0EAE4123456

生產國別: 台灣製造

注意事項: 參考安全信息安裝和操作線上手冊

產品功能: 參考本快速入門指南

製造商: 台灣音牆網路有限公司

製造商地址: 台北市內湖區基湖路 1 號 8 樓

製造商電話: 02-2657 9913

① **IMPORTANT:** 附註: 有關本產品的其他法規須知與資訊可於下方網站線上取得: <https://www.sonicwall.com/support/technical-documentation>

安全信息安裝和操作

- 安裝 SonicWall 681
- 使用天花板支架进行安裝
- 安裝支架(2)
- 安裝支架(3)
- 使用錨釘安裝
- 連接纜線和 PoE
- 安全和監管信息
- 射頻安全距離
- 纜線連接
- 電源信息

安裝 SonicWave 681

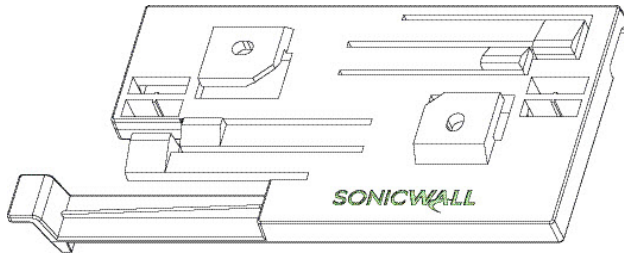
您可以將 SonicWave 681 安裝到牆上或天花板上, 或者只是放在平面上。

- 使用天花板支架进行安裝
- 使用錨釘安裝

使用天花板支架进行安裝

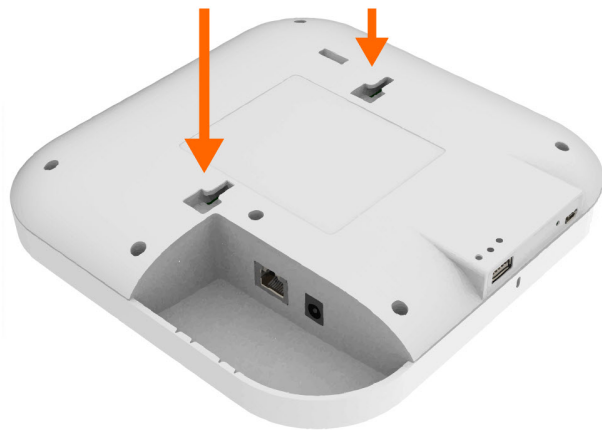
SonicWave 681 配有天花板安裝支架和螺絲。本節介紹如何使用安裝硬件將 SonicWave 固定到天花板或室內牆壁上。

安装支架(1)



SonicWave 681 的底部有两个插入点, 可以插入提供的螺丝, 然后将天花板安装支架连接到 SonicWave 681 或将 SonicWave 安装到墙上。

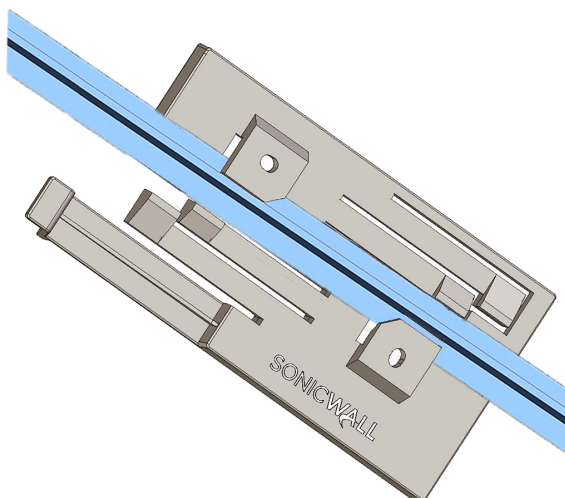
安装支架插入点



将 SonicWave 681 安装到天花板上的 T 型杆:

1. 使用随附的两个螺钉将安装支架固定到 SonicWave 底部。
2. 用一只手托住 SonicWave, 将支架的边缘放置到天花板 T 型杆的边缘上。

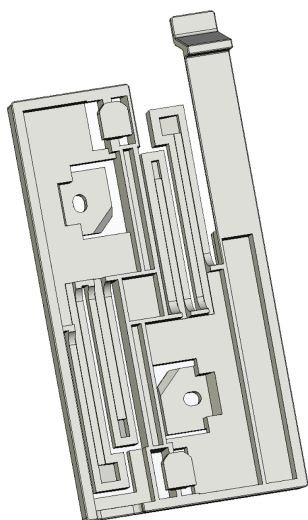
3. 逆时针旋转 SonicWave (向上看时是向左), 直到支架稳定地固定到 T型杆上。



如需从天花板 T型杆上取下 SonicWave, 请轻轻向上按, 将其顺时针 (向上看时是向右) 旋转, 直到支架从横木脱离。

天花板/墙壁支架

SonicWave 681 带有一个安装支架, 因此可以安装在天花板或其他平面上。用作天花板 T型杆安装的同一直架也可以使用提供的两个锚和螺钉安装在天花板(或墙壁)上。为了安装在平面上, 支架天花板 T形夹上的孔为螺钉提供插入点。使用长度为 1.25 英寸 (31.75 毫米) 的 #6 (3.5 毫米) 镀锌盘头机器螺钉 (钣金螺钉)。在干墙上安装时, 应使用锚。锚固件必须能容纳螺钉, 并且额定承载力至少为 10 磅 (4.5 千克)。



SonicWave 681 的底部有两个插入点, 您可以通过位于天花板支架底部的两个塑料插入短柱将 SonicWave 悬挂起来。在将支架安装到天花板或墙壁上后, 您可以使用这些插入接头将支架连接到 SonicWave 681。

使用螺丝安装

使用螺丝将 **SonicWave** 安装到墙上的步骤如下:

1. 测量 **SonicWave** 天花板支架下侧的两个螺钉连接点之间的距离。
2. 在安装面上, 标记两个螺钉插入点的位置。
3. 在标记的位置钻导向孔。对于木质表面, 请使用适合螺钉的钻头。对于干墙, 请使用适合锚固件的钻头。
4. 对于干墙, 拧入锚。
5. 将螺钉插入墙壁或锚固件, 并将它们拧入足够深, 以在螺钉头和墙壁表面之间留下最小的空间。
6. 双手托住 **SonicWave**, 将 **SonicWave** 的底面插槽牢固地卡在螺钉头上。

连接缆线和 PoE

本节介绍如何将 PoE 和网络电缆连接到 **SonicWave 681**。为获得最佳效果, 请先连接电缆, 然后将 **SonicWave** 安装到天花板或墙壁上。

SonicWave 681 通过电源适配器或以太网供电 (PoE) 设备 (均单独出售) 供电。**SonicWall** 建议使用 CAT 5e 电缆将 PoE 连接到接入点。

CAUTION: 小心: 当使用 PoE 向设备供电时, 需要符合 802.3at 标准的 PoE 供电器、支持 PoE 功能的交换机或 **SonicWall** 支持 PoE 功能的设备为每台 **SonicWave 681** 供电。为保证 **SonicWave 681** 的供电, 连接 PoE 设备与 **SonicWave 681** 之间的 CAT 5e 电缆长度不能超过 100 米 (333 英尺)。

将 **SonicWave 681** 连接到 PoE 和网络的步骤如下:

1. 使用以太网缆线, 将 PoE 供电器或交换机的 **Data in** 端口连接到网络设备上的接口。如果使用的是 **SonicWall** 防火墙, 则将其连接到防火墙上的现有 WLAN 区域接口或稍后将在 **SonicOS** 中配置的未使用接口上。
2. 使用第二条以太网缆线将 PoE 供电器的 **Data and Power Out** 端口连接到 **SonicWave 681** 的 **LAN LED** 端口上。提供了主要的以太网和 PoE 连接。
如需更多信息, 请参阅《PoE 安装指南》。



3. 将 PoE 供电器的电源线插入合适的电源插座。
4. 等待 SonicWave 681 上的 LAN LED 亮起，最多两分钟。表明连接有效。
5. 可选择使用迷你 USB 电缆连接 **CONSOLE** 端口，以进行命令行管理。



安全和监管信息

在产品标签上印有“UL 2043”的产品属于“空气处理场所(增压)安装的分离性产品热量和可见烟雾释放的燃烧测试 UL 2043 标准”规定的限制内。仅当通过 PoE 供电时适用。PoE 电源不在此接入点的 UL 2043 评估范围内。

型号

型号/类型	产品名称
SonicWave 681	APL66-106

⚠ | WARNING: 警告: 正确的安装必须满足下列条件。

1. 在远离阳光直射和热源的位置进行安装。建议最高环境温度不超过 104° F (40° C)。
2. 缆线布线需远离电源线、荧光照明器材和噪声源(例如收音机、发射器和宽频放大器等)。
3. 确认不会有水或大量湿气进入装置。
4. 允许设备周围的自由气流通过侧面的通气孔。建议的最小间隙为 1 英寸 (26 公釐)。
5. 必须特别考虑设备到供电电路的连接。处理这一问题时，必须适当考虑设备的铭牌额定值。请勿使电路过载

射频安全距离

此发射器的天线的安装位置必须与所有人员保持至少 36 cm 的间距，并且该发射器不得与其他天线或发射器放置在一起或进行连接操作。

线缆连接

所有以太网和 RS232(控制台)缆线的用途都是仅供与建筑物内的其他设备连接。请勿将这些端口直连到离开 SonicWall 设备所在建筑物的通信线路或其他线路。

电源信息

当本产品的电源由插入“LAN/POE”端口的以太网电缆提供时，这称为“以太网供电”或“PoE”。PoE 电源只能是 UL 列出的标有“2 类”或“LPS”的输出，额定输出为 48 VDC，最低 0.3 A，Tma: 最低 40 °C。

通过桶式插座使用外部电源适配器供电时，请仅使用标有“2类”或“LPS”的 UL 列出的电源，额定输出为 12 VDC，最低 3.0 A，Tma: 最低 40 °C。本产品不提供外部电源适配器，但是可向 SonicWall 购买。从 SonicWall 所购买的外部电源适配器的可靠接地必须保持稳定。请特别注意在非直接连到分支电路，如延长线时候的电源连接。

① **NOTE:** 注:如需本产品对应的额外监管通知和信息，请访问 <https://www.sonicwall.com/zh-cn/support/technical-documentation>

インストールと操作のための安全性情報

- SonicWall 681 の取り付け
- 天井ブラケット(1)トを使用した取り付け
- ブラケット(2)
- ブラケット(3)
- アンカーねじを使用した取り付け
- PoE およびネットワークケーブルの接続
- 安全性および規制に関する情報
- RF 安全距離
- ケーブルの接続
- 電源アダプタに関する情報

SonicWave 681 の取り付け

SonicWave 681 は、壁や天井に取り付けたり、そのまま平面上に置いたりできます。

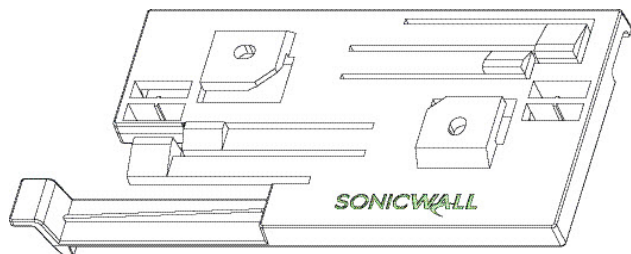
SonicWave 681 を取り付ける際の安全上のヒントについては、製品の安全性と規定に関する情報 (33 ページ) を参照してください。

- 天井ブラケットを使用した取り付け
- アンカーねじを使用した取り付け

天井ブラケットを使用した取り付け

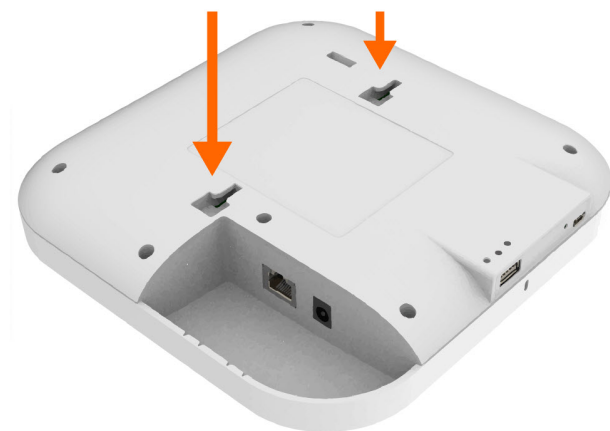
SonicWave 681 には、天井取り付け用のブラケットとねじが付属しています。ここでは、この取り付け金具を使用して SonicWave を天井または室内の壁に取り付ける手順を説明します。

取り付け用ブラケット



SonicWave 681 の下側には、2つの取り付けブラケット挿入ポイントがあり、ブラケットタブをクリックして、ユニットを壁や天井、または天井のTバーに固定するのに役立てることができます。これらの取り付けブラケット挿入ポイントを使用して、ブラケットを SonicWave 681 に取り付けます。

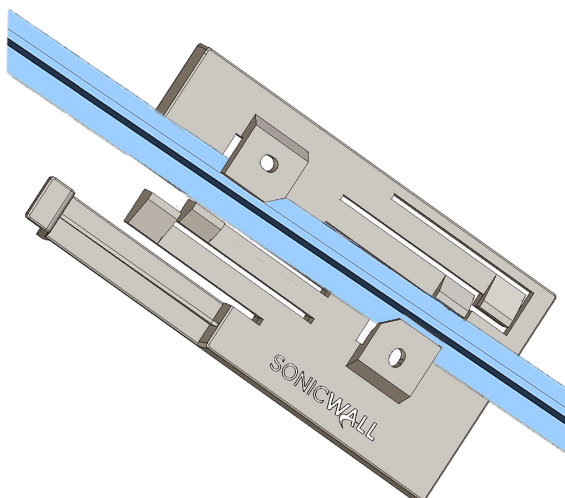
取り付けブラケット挿入ポイント



SonicWave 681 を天井の Tバーに取り付けるには:

1. 同梱の 2 本のねじを使用して、取り付け用ブラケットを SonicWave の 裏面に取り付けます。
2. 片手で SonicWave を支えながら、ブラケットの端にあるクリップの位置を天井の Tバーの端に合わせます。

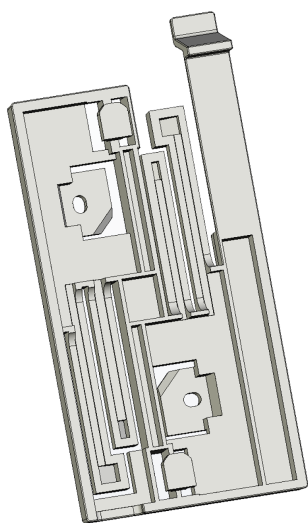
3. ブラケットがTバーにしっかりと固定されるまで、SonicWave を反時計回りに（下から見て左に）回転させます。



SonicWave を天井のTバーから取り外すには、上方向に軽く押しながら、ブラケットがTバーから外れるまで時計回りに（下から見て右に）回転させます。

天井/壁ブラケット

SonicWave 681 には取り付けブラケットが付属しているため、天井やその他の平らな面に取り付けることができます。天井のTバーマウントとして使用されるのと同じブラケットを、付属の2つのアンカーとネジのいずれかを使用して天井（または壁）に取り付けることもできます。平らな面に取り付けるために、ブラケットの天井のTバークリップの穴がネジの挿入ポイントになります。長さ1.25インチ（31.75 mm）の#6（3.5mm）亜鉛メッキなべ頭小ネジ（板金ネジ）を使用します。乾式壁に取り付けるときは、アンカーを使用する必要があります。アンカーはネジに対応し、少なくとも10ポンド（4.5 kg）を保持できる定格である必要があります。



SonicWave 681 の下側には、天井ブラケットの下側にある2つのプラスチック製挿入スタブで SonicWave を吊るすことができる2つの挿入ポイントがあります。これらの挿入スタブを使用して、ブラケットを天井または壁に取り付けた後、ブラ

ケットを SonicWave 681 に取り付けることができます。

アンカーねじを使用した取り付け

SonicWave を天井の T バーから取り外すには、上方向に軽く押しながら、ブラケットが T バーから外れるまで時計回りに(下から見て右に)回転させます。

ねじを使って SonicWave を壁に取り付ける場合:

1. SonicWave の裏面にある 2 つのねじ取り付けポイント間の距離を測ります。
2. 取り付け面に、ねじ穴となる 2 つの場所の印を付けます。2 つの印は、互いに平行になるようにしてください。
3. 印を付けた位置にドリルで下穴を開けます。木材の面に取り付ける場合は、ねじのサイズに適合するドリルビットを使用してください。乾式壁に取り付ける場合は、アンカーのサイズに適合するドリルビットを使用してください。
4. 乾式壁に取り付ける場合は、アンカーを挿入します。
5. ねじを壁またはアンカー内に差し込み、ねじの頭と壁面との間のスペースが十分に小さくなるまでねじを回します。
6. SonicWave を両手で持ちながら、SonicWave の裏面にあるスロットをねじの頭に合わせてしっかりと固定します。

ねじを使用して取り付けブラケット(3)を天井または壁に取り付けるには:

1. 取り付けブラケットの表側を天井または壁に当て、2 つのねじ位置に印を付けます。
2. 印を付けた位置にドリルで下穴を開けます。木材の壁に取り付ける場合は、ねじのサイズに適合するドリルビットを使用してください。乾式壁に取り付ける場合は、アンカーのサイズに適合するドリルビットを使用してください。
3. 乾式壁に取り付ける場合は、アンカーを挿入します。
4. 取り付けブラケットを壁に当て、穴の位置を印またはアンカーに合わせます。
5. ドライバーでねじを締め込んで、取り付けブラケットを天井または壁に固定します。

PoE およびネットワーク ケーブルの接続

ここでは、PoE およびネットワーク ケーブルを SonicWave 681 に接続する手順を説明します。最適な結果を得るために、最初にケーブルを接続してから SonicWave を天井または壁に取り付けます。SonicWave 681 への電力供給には電源アダプタまたは Power over Ethernet (PoE) を使用します (どちらも別売)。SonicWall では、CAT 5e のケーブルを使用して PoE をアクセス ポイントに接続することを推奨します。

△ CAUTION: 注意: PoE を使用して電力を供給する場合は、各 SonicWave 681 に電力を供給する 802.3at 準拠の PoE インジェクター、PoE 対応スイッチ、または SonicWall PoE 対応装置が必要です。SonicWave 681 への電力供給を維持するために、PoE 機器から SonicWave 681 までの CAT 5e ケーブルの長さを 100メートル (333 フィート) 以内にご覧ください。

SonicWave 681 を PoE とネットワークに接続するには:

1. イーサネットケーブルを使用して、PoE インジェクターまたはスイッチの Data in ポートをネットワーク機器のインターフェースに接続します。SonicWall ファイアウォールを使用する場合は、ファイアウォールの既存の WLAN ゾーンインターフェース、または SonicOS で後ほど設定する未使用のインターフェースに接続します。
2. 2 本目のイーサネットケーブルを使用して、PoE インジェクターの Data and Power Out ポートを SonicWave 681 の LAN LED ポートに接続します。これで、メインのイーサネットおよび PoE 接続は完了です。詳細については、『PoE Installation Guide (PoE 設置ガイド)』を参照してください。



3. PoE インジェクターの電源コードを適切な電源コンセントに接続します。
4. SonicWave 681 の LAN LED が点灯するまで約 2 分待ちます。
5. オプションで、コマンドライン管理のために、ミニUSBケーブルを使用して CONSOLE ポートを接続します。.



安全性および規制に関する情報

製品ラベルに“UL 2043”と印字されている製品は、“UL 2043 空調スペースに設置されたディスクリート製品の熱および可視煙放出に関する燃焼試験”(プレナム)で指定された制限の範囲内にあります。適用されるのは、PoE による電力供給時のみです。PoE 電源は、このアクセスポイントに対する UL 2043 評価の対象外です。

規定のモデル番号

規定のモデル / 種類	製品名
SonicWave 681	APL66-106

⚠ | WARNING: 警告: 適切に設置するには、以下の条件を満たす必要があります。

1. 直射日光や発熱する器具から離れた場所に設置してください。周囲の温度が摂氏 40 度 (華氏 104 度) を超えないようにしてください。
2. ケーブルは、電源配線や蛍光灯から離し、ラジオや送信機、ブロードバンド増幅器などのノイズ発生源から離れた場所に配線してください。

3. 水や過度の湿気が装置に入らないようにしてください。
4. 装置の周囲や、装置側面にある通気口の空気の流れを塞がないでください。最低でも 1 インチ (26mm) の間隔を空けることをお勧めします。
5. 装置の電源回路への接続には十分な配慮が必要です。接続の前に、装置の定格 (ネームプレート表示) の内容をよくお読みください。電源回路に過負荷をかけないでください。

RF 安全距離

この送信機に使用するアンテナは、すべての人から 36 cm 以上離して設置しなければなりません。また、他のアンテナや送信機と併置したり、一緒に運用したりすることはできません。

ケーブルの接続

すべてのイーサネット ケーブルや RS232 (コンソール) ケーブルは、建物内での他の装置への接続に使用されます。これらのポートを SonicWall 装置が設置されている建物の外部に出ていく通信用配線およびその他の配線に直接接続しないでください。

電源に関する情報

この製品の電力が「LAN / POE」ポートに接続されたイーサネット ケーブルによって供給される場合、これは「Power over Ethernet」または「PoE」と呼ばれます。PoE ソースは、UL リストに「クラス 2」または「LPS」とマークされ、出力定格が 48 VDC、最小 0.3 A、Tma: 最小 40°C である必要があります。

バレル ジャックを介した外部電源アダプタによって電力を供給している場合は、出力定格が 12 VDC、最小 3.0 A、Tma: 最小 40°C で、「クラス 2」または「LPS」の表示のある UL 規格の電源アダプタでのみ使用してください。この製品に冗長性の電源アダプターは同梱されていません。別途ご購入ください。この製品に外部電源アダプタは同梱されていません。SonicWall から購入できます。SonicWall から購入した外部電源アダプタは、確実に接地してください。電源タップなどを使用し、分岐回路に直接接続しない場合には、特に注意してください。

① **NOTE:** この製品に関するその他の規制当局告示通達については、<https://www.sonicwall.com/ja-jp/support> を参照してください。

설치 및 운영에 대한 안전 정보

- SonicWall 681 마운팅
- 천장 브래킷을 사용하여 마운팅
- 장착 브래킷 (2)
- 장착 브래킷 (3)
- SonicWall 681 설치

- 안전 및 규정 정보
- RF 안전거리
- 케이블 연결
- 전원 공급 장치 정보

SonicWave 681 마운팅

SonicWave 681 는 벽 또는 천장에 마운팅할 수 있으며, 그냥 평평한 표면에 설치해도 됩니다.

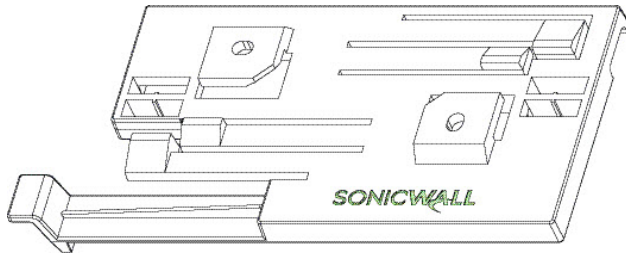
SonicWave 681 마운팅 시 안전 팁은 33 페이지의 제품 안전 및 규정 정보를 참조하십시오.

- 천장 브래킷을 사용하여 마운팅
- 앵커 나사를 사용하여 마운팅

SonicWave 681 는 천장 마운팅 브래킷 및 나사가 함께 제공됩니다. 이 섹션에서는 마운팅 하드웨어를 사용하여 SonicWave 를 천장이나 실내 벽에 부착하는 방법을 설명합니다.

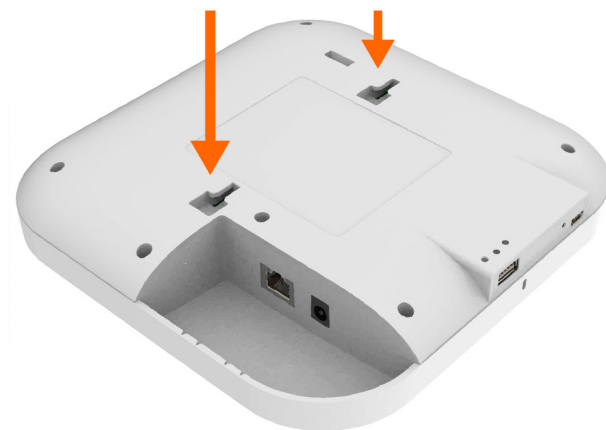
천장 브래킷을 사용하여 마운팅

장착 브래킷



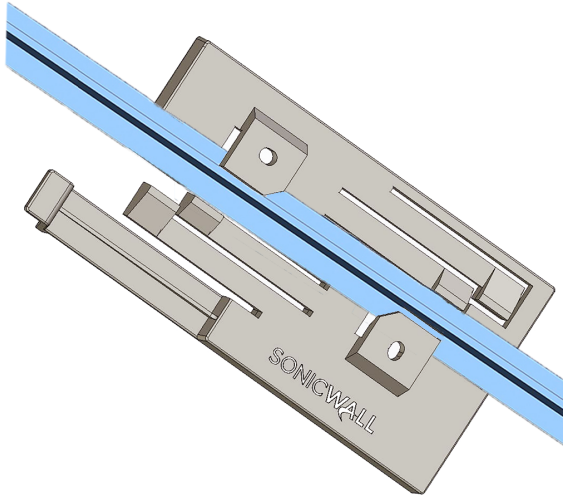
SonicWave 681 의 밑면에는 제공된 나사를 삽입한 후 천장 마운팅 브래킷을 SonicWave 681 에 부착하거나 SonicWave 를 벽에 부착할 수 있는 삽입 지점이 두 개 있습니다.

마운팅 브래킷 삽입 지점



SonicWave 681 를 천장의 T 바에 부착하는 방법:

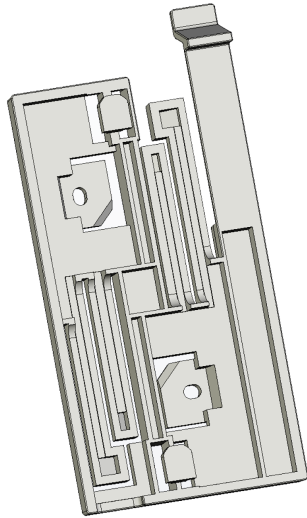
1. 제공된 나사 두 개로 마운팅 브래킷을 SonicWave 의 밑면에 부착합니다.
2. SonicWave 를 한 손으로 받친 상태에서 천장 T 바의 가장자리 위에 브래킷의 엣지 클립을 놓습니다.
3. 브래킷이 T 바에 단단히 부착될 때까지 SonicWave 를 반시계 방향(올려다봤을 때 왼쪽 방향)으로 돌립니다.



천장 T 바에서 SonicWave 를 분리하려면 브래킷이 T 바에서 떨어질 때까지 제품을 시계 방향(올려다봤을 때 오른쪽 방향)으로 돌립니다.

천장/벽걸이 브라켓

SonicWave 681 은 장착 브래킷과 함께 제공되므로 천장이나 기타 평평한 표면에 장착할 수 있습니다. 천장 T-바 마운트로 사용되는 동일한 브래킷은 제공된 두 개의 앵커와 나사를 사용하여 천장(또는 벽)에 장착할 수도 있습니다. 평평한 표면에 장착하기 위해 브래킷 천장 T-바 클립의 구멍은 나사 삽입 지점을 제공합니다. 길이 1.25인치 (31.75mm) 의 #6 (3.5mm) 아연 도금 팬 헤드 기계 나사(판금 나사)를 사용합니다. 건식 벽체에 설치할 때는 앵커를 사용해야 합니다. 앵커는 나사를 수용해야 하며 최소 4.5kg (10lbs)을 지탱할 수 있어야 합니다.



SonicWave 681의 아래쪽에는 천장 브래킷 아래쪽에 있는 두 개의 플라스틱 삽입 스텝으로 SonicWave를 걸 수 있는 두 개의 삽입 지점이 있습니다. 브래킷을 천장이나 벽에 설치한 후 이러한 삽입 스텝을 사용하여 브래킷을 SonicWave 681에 부착할 수 있습니다.

앵커 나사를 사용하여 마운팅

나사를 사용하여 SonicWave를 벽에 장착하는 방법:

1. SonicWave의 밑면에 있는 두 나사 부착점 사이의 간격을 측정합니다.
2. 마운팅 표면에 나사 두 개를 삽입할 지점의 위치를 표시합니다. 서로 수평으로 평행하게 표시해야 합니다.
3. 표시된 위치에 파일럿 구멍을 뚫습니다. 나무 표면의 경우 나사에 맞는 드릴 비트를 사용합니다. 건식 벽의 경우, 앵커에 맞는 드릴 비트를 사용합니다.
4. 건식 벽의 경우, 앵커를 조입니다.
5. 벽 또는 앵커에 나사를 삽입하고 나사 머리와 벽면 사이에 최소한의 공간이 남을 때까지 충분히 돌립니다.
6. SonicWave를 손으로 받치고 SonicWave의 밑면 슬롯을 나사 머리에 단단히 맞춥니다.

나사를 사용하여 마운팅 브래킷(3)을 천장 또는 벽에 부착하려면:

1. 마운팅 브래킷의 상단 면을 천장 또는 벽 방향으로 두고 2개의 나사 삽입 위치를 표시합니다.
2. 표시된 위치에 파일럿 구멍을 뚫습니다. 나무 벽의 경우, 나사에 맞는 드릴 비트를 사용합니다. 건식 벽의 경우, 앵커에 맞는 드릴 비트를 사용합니다.
3. 건식 벽의 경우, 앵커를 조입니다.
4. 구멍이 마크 또는 앵커에 나란히 놓이도록 하고 벽에 마운팅 브래킷을 놓습니다.
5. 나사와 드라이버를 사용하여 천장 또는 벽에 마운팅 브래킷을 단단히

설치 요구 사항

⚠ | WARNING: 경고: 올바로 설치하려면 다음 조건을 충족해야 합니다.

1. 직사광선과 열로부터 떨어진 곳에 설치하십시오. 권장 주변 온도는 최대 40°C (104°F)입니다.
2. 케이블을 전력선, 형광 조명 기기와 라디오, 송신기 및 광대역 증폭기와 같은 노이즈원으로부터 벗어나 배선하십시오.
3. 물 또는 과도한 습기가 장치에 유입되지 않는지 확인하십시오.
4. 공기가 막힘 없이 장치 주위를 흐르고 장치 측면의 환기구를 통과하도록 하십시오. 최소 1인치 (26 mm)의 간격이 권장됩니다.
5. 공급 회로로 가는 장비 연결부를 고려해야 합니다. 이러한 문제는 장비 명판에 명시된 정격을 준수하여 해결해야 합니다. 회로에 과부하가 걸리지 않도록 하십시오.

안전 및 규정 정보

제품 레이블에 "UL 2043" 이라고 인쇄된 제품은 "공기 조화 공간에 설치된 개별 제품에서 방출되는 열 및 가시적인 연기에 대한 연소 시험과 관련된 UL 2043 표준" (Plenum) 에 명시된 제한 내에 있습니다. PoE 를 통해 전원이 공급되는 경우에만 적용됩니다.

PoE 전원 공급 장치에는 이 액세스 지점의 UL 2043 평가가 적용되지 않습니다.

규정 모델 번호

규정 모델/유형	제품 이름
SonicWave 681	APL66-106

RF 안전거리

이 송신기에 사용되는 안테나는 모든 사람으로부터 최소 36 cm 의 거리를 두도록 설치해야 하며 다른 안테나 또는 송신기와 같은 위치에 배치하거나 운영해서는 안 됩니다.

케이블 연결

모든 이더넷 및 RS232 (콘솔) 케이블은 건물 내에서 다른 장비와 연결하도록 설계되어 있습니다. 이 포트를 SonicWall 어플라이언스가 있는 건물 밖으로 나가는 통신 배선 또는 기타 배선에 직접 연결하지 마십시오.

전원 공급 장치 정보

이 제품의 전원이 "LAN/POE" 포트에 연결된 이더넷 케이블을 통해 제공되는 경우 이를 "Power over Ethernet" 또는 "PoE"라고 합니다. PoE 소스는 정격 출력이 48VDC, 최소 0.3A, Tma: 최소 40°C인 "Class 2" 또는 "LPS"로 표시된 UL 목록에 있어야 합니다.

배럴 잭을 통해 외부 전원 어댑터로 전원을 공급하는 경우 최소 12Vdc, 3.0A, Tma: 최소 40°C정격 출력을 가진 "Class 2" 또는 "LPS"로 표시된 UL 인증 전원 공급 장치만 사용하십시오. 외부 전원 어댑터는 이 제품과 함께 제공

되지 않지만 SonicWall 에서 구입 할 수 있습니다. SonicWall 에서 구입한 외부 전원 어댑터의 안정적인 접지를 유지해야 합니다. 전원 스트립과 같은 분기회로에 직접 연결하는 것이 아니라면 전원 공급장치의 연결에 특히 주의해야 합니다.

① **NOTE:** 제품에 대한 추가 규정 알림 및 정보는 <https://www.sonicwall.com/ko-kr/support> 에서 온라인으로 확인 할 수 있습니다.

Informações normativas e de segurança

- [Montagem do SonicWall 681](#)
 - [Montagem usando suportes de teto](#)
 - [Montagem usando parafusos âncora](#)
- [Conectar cabos PoE e de rede](#)
- [Informações normativas e de segurança](#)
- [Conexões por cabo](#)
- [Informações sobre a fonte de alimentação](#)
- [ANATEL](#)

Montagem do SonicWave 681

Você pode montar seu SonicWave 681 em uma parede ou teto usando o mesmo suporte ou simplesmente colocá-lo em uma superfície plana. Para obter dicas de segurança ao montar o SonicWave 681, consulte [Safety information for installation and operation](#).

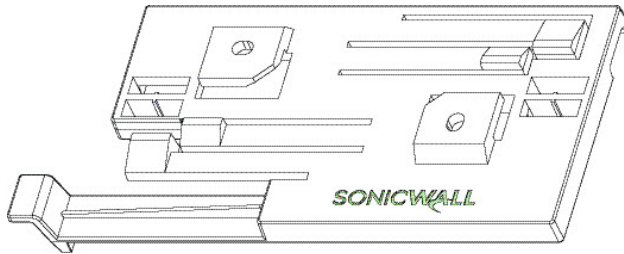
Topics:

- [Montagem usando suportes de teto](#)
- [Montagem usando parafusos âncora](#)

Montagem usando suportes de teto

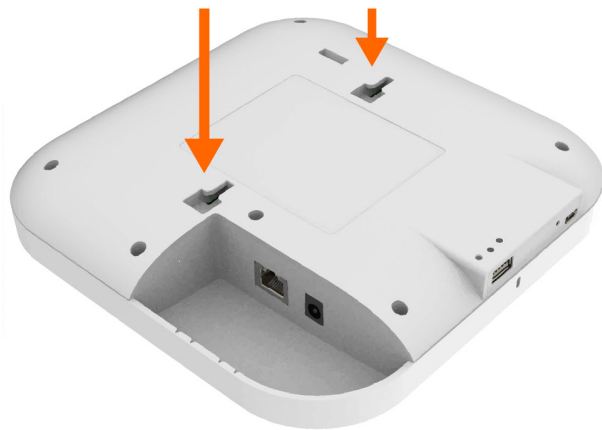
O SonicWave 681 vem com um suporte de montagem no teto e parafusos. Esta seção descreve como usar o equipamento de montagem(1) para fixar o SonicWave no teto ou em uma parede interna.

SUPORTE DE MONTAGEM



A parte inferior do SonicWave 681 possui dois pontos de inserção para inserir os parafusos fornecidos e, em seguida, fixar o suporte de montagem no teto ao SonicWave 681 ou fixar o SonicWave na parede.

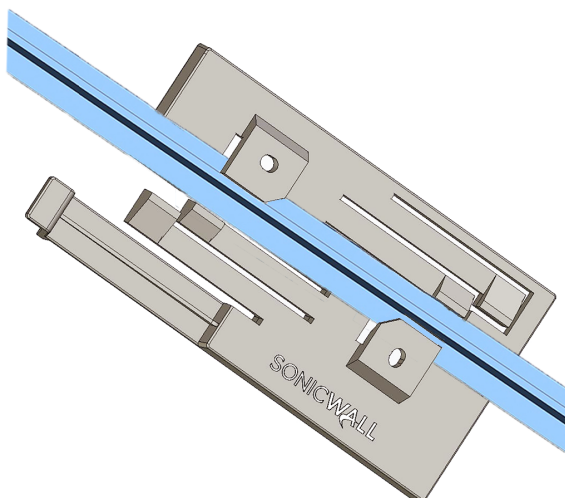
PONTOS DE INSERÇÃO DO SUPORTE DE MONTAGEM



Para fixar o SonicWave 681 a uma barra em T no teto:

1. Use os dois parafusos fornecidos para fixar o suporte de montagem na parte inferior do SonicWave.
2. Segurando o SonicWave com uma mão, fixe a borda do suporte à borda da barra em T do teto.
3. Gire o SonicWave no sentido anti-horário (para a esquerda estando a olhar para ele) até que o suporte

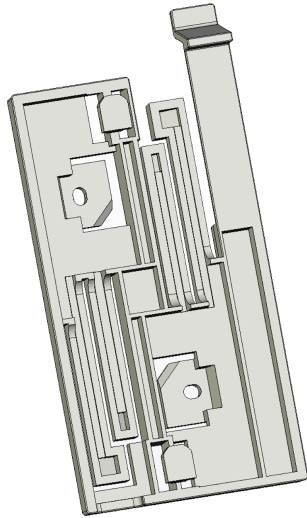
esteja devidamente fixo na barra em T.



Para remover o SonicWave da barra em T do teto, levante-o cuidadosamente e gire-o no sentido horário (para a direita estando a olhar para ele) até que o suporte se desprenda da barra em T.

SUPORTE DE TETO/PAREDE

O SonicWave 681 vem com um suporte de montagem para que possa ser montado no teto ou em outra superfície plana. O mesmo suporte usado como suporte de barra T no teto, também pode ser montado no teto (ou parede) usando as duas buchas e parafusos fornecidos. Para montagem em uma superfície plana, os orifícios nos cliques da barra em T do teto do suporte fornecem pontos de inserção para parafusos. Use parafusos de cabeça cilíndrica n.º 6 (3,5 mm) galvanizados (parafusos de chapa metálica) de comprimento de 1,25 polegadas (31,75 mm). Ao montar em drywall, âncoras devem ser usadas. As âncoras devem acomodar os parafusos e ser classificadas para suportar pelo menos 10 lbs (4,5 kg).



A parte inferior do SonicWave 681 tem dois pontos de inserção onde você pode pendurar o SonicWave por dois pinos de inserção de plástico localizados na parte inferior do suporte de teto. Você pode usar esses stubs de inserção para prender o suporte ao SonicWave 681 após a instalação do suporte no teto ou na parede.

Montagem usando parafusos âncora

Para montar o SonicWave na parede usando parafusos:

1. Meça a distância entre os dois pontos de fixação do parafuso na parte inferior do suporte de teto SonicWave.
2. Na superfície de montagem, marque os locais dos dois pontos de inserção dos parafusos.
3. Faça furos piloto nos locais marcados. Para uma superfície de madeira, use uma broca apropriada para os parafusos. Para drywall, use uma broca apropriada para as âncoras.
4. Para drywall, aparafuse as buchas..
5. Insira os parafusos na parede ou buchas e aperte-os profundamente o suficiente para deixar um espaço mínimo entre as cabeças dos parafusos e a superfície da parede.
6. Segurando o SonicWave em suas mãos, encaixe de forma segura as fendas da parte inferior do SonicWave nas cabeças dos parafusos.

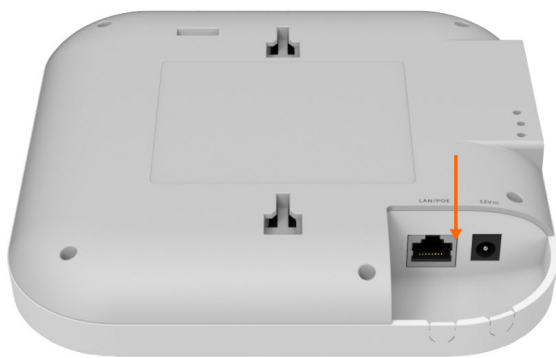
Conectar cabos PoE e de rede

Esta seção descreve como conectar os cabos PoE e de rede ao SonicWave 681 . Para obter os melhores resultados, em primeiro lugar, conecte os cabos e, em seguida, monte o SonicWave no teto ou na parede. O SonicWave 681 é alimentado por um adaptador de energia ou por um Power over Ethernet (PoE) (ambos vendidos separadamente). A SonicWall recomenda o uso de cabos CAT 5e para conectar o PoE ao ponto de acesso.

CAUTION: CUIDADO: Ao usar PoE para alimentar o dispositivo, é necessário um injetor PoE compatível com 802.3at, um comutador habilitado para PoE ou um dispositivo de segurança habilitado para PoE da SonicWall para fornecer energia a cada SonicWave 681. Para manter o fornecimento de energia para o SonicWave 681, o comprimento máximo do cabo CAT 5e, desde o dispositivo PoE até ao SonicWave 681, é de 100 metros (333 pés).

Para conectar o SonicWave 681 ao PoE e à rede:

1. Usando um cabo Ethernet, conecte a porta Data in (Entrada de dados) no injetor ou comutador PoE a uma interface do seu dispositivo de rede. Se usar um firewall da SonicWall, conecte a uma interface de zona WLAN existente no firewall ou a uma interface não usada a ser configurada posteriormente no SonicOS.
2. Usando um segundo cabo Ethernet, conecte a porta **Data and Power out** no injetor PoE à porta **LAN LED** no seu SonicWave 681. Isto fornece a sua conexão Ethernet e PoE principal.



Consulte o seu Guia de instalação PoE para obter mais informações.

3. Conecte o cabo de alimentação do injetor PoE a uma tomada elétrica apropriada.
4. Aguarde até dois minutos para que o LED da **LAN LED** no SonicWave 681 se acenda. Isso indica uma conexão ativa.
5. Opcionalmente, conecte a porta CONSOLE usando um cabo mini USB, para gerenciamento de linha de comando.



Informações normativas e de segurança

Os produtos com "UL 2043" impresso nos seus rótulos encontram-se dentro dos limites especificados na "Norma UL 2043 relativa a teste de fogo quanto a calor e fumo liberados para produtos instalados em espaços de ventilação" (Plenum). Aplica-se apenas quando alimentado por PoE. A fonte de energia PoE não é abrangida pela avaliação UL 2043 para este ponto de acesso.

NÚMERO DE MODELO REGULAMENTAR

Tipo/modelo regulamentar	Nome do produto
SonicWave 681	APL66-106

⚠ | WARNING: AVISO: As seguintes condições são necessárias para a instalação correta.

1. Monte o dispositivo em um local afastado da luz solar direta e de fontes de calor. Recomenda-se uma temperatura máxima de 40 °C (104 °F).
2. Mantenha os cabos afastados de linhas de energia, instalações de iluminação fluorescente e fontes de ruído como rádios, transmissores e amplificadores de banda larga.
3. Certifique-se de que não entre água ou umidade excessiva na unidade.
4. Permita que exista ventilação sem restrições em torno da unidade e através das portas de ventilação na lateral da mesma. É recomendável um mínimo de 1 pol. (26 mm) de espaço livre.
5. Deve-se prestar atenção à conexão do equipamento ao circuito de alimentação. Tenha certeza que você não está sobrecarregando o circuito elétrico.

Conexões por cabo

Todos os cabos Ethernet e RS232 (Console) são projetados para conexões internas ao edifício com outros equipamentos. Não conecte essas portas diretamente à fiação de comunicação ou outros cabos que saem do edifício onde o aparelho SonicWall está localizado.

Informações sobre a fonte de alimentação

Quando a alimentação deste produto é fornecida pelo cabo Ethernet conectado à porta "LAN/POE", isso é chamado de "Power over Ethernet" ou "PoE". A fonte PoE só deve ser listada pela UL marcada como "Classe 2" ou "LPS" com uma saída nominal de 48 VCC, mínimo 0,3 A, Tma: mínimo 40 °C. Adaptador de energia redundante não é fornecido com o equipamento podendo ser adquirido separadamente.

Ao fazer a alimentação via adaptador de energia externo através do conector tipo barril, use somente fontes de alimentação listadas na UL marcadas como "Classe 2" ou "LPS" com uma potência nominal de 12 VCC, 3.0 A no mínimo, Tma: mínimo de 40 °C. O adaptador externo de energia não é fornecido com este produto, mas poderá ser adquirido junto a SonicWall. O aterramento elétrico do adaptador de energia externo adquirido da SonicWall deve ser mantido. Deve ser dada especial atenção às conexões de fornecimento de energia elétrica que não sejam conexões diretas aos circuitos de ramificação, tais como as derivações de energia elétrica.

① | NOTE: Para notificações adicionais de normas e informações deste produto, visite <https://www.sonicwall.com/pt-br/support>.

ANATEL

APL66-106



02860-22-12115

Este equipamento opera em caráter secundário, isto é, não tem direito a proteção contra interferência prejudicial, mesmo de estações do mesmo tipo, e não pode causar interferência a sistemas operando em caráter primário.

Este produto está homologado pela Anatel, de acordo com os procedimentos regulamentados pela Resolução nº 715/2019 e atende aos requisitos técnicos aplicados. Para maiores informações, consulte o site da ANATEL – <http://www.anatel.gov.br>

Agency Specific Information

- [FCC ID: 2AKCZ-107](#)
- [FCC, Class B](#)
- [Radiation Exposure Statement \(FCC\)](#)
- [United States of America Authorized Channels](#)
- [Industry Canada Notices](#)
- [Industrie Canada Notifications](#)
- [低功率電波輻射性電機管理辦法](#)
- [CE Notice](#)
- [EU and EFTA](#)
- [Declaration of Conformity](#)
- [Simplified EU/CE Declaration of Conformity](#)
- [Country Selection](#)

FCC ID: 2AKCZ-107

This equipment generates, uses, and can radiate radio frequency energy and, if not installed and used in accordance with the manufacturer's instruction manual, may cause interference with radio and television reception.

This equipment has been tested and found to comply with the limits for a Class B digital device pursuant to Part 15 of the FCC Rules.

- This device may not cause harmful interference, and
- This device must accept any interference received, including interference that may cause undesired operation.

① **NOTE:** The FCC regulations provide that changes or modifications not expressly approved by SonicWall Inc. could void your authority to operate this equipment.

These limits are designed to provide reasonable protection against harmful interference in a residential installation. However, there is no guarantee that interference will not occur in a particular installation. If this equipment does cause harmful interference with radio or television reception, which can be determined by turning the equipment off and on, you are encouraged to try to correct the interference by one or more of the following measures:

- Reorient the receiving antenna.
- Relocate the system with respect to the receiver.
- Move the system away from the receiver.
- Plug the system into a different outlet so that the system and the receiver are on different branch circuits.

If necessary, consult a representative of SonicWall Inc. or an experienced radio/television technician for additional suggestions.

① **NOTE:** This SonicWall Wireless WLAN device must be installed and used in strict accordance with the manufacturer's instructions as described in the user documentation that comes with the product. Any other installation or use will violate FCC Part 15 regulations. Modifications not expressly approved by SonicWall could void your authority to operate the equipment.

The following information is provided on the device or devices covered in this document in compliance with FCC regulations:

- Product name:
SonicWall SonicWave 681
Regulatory Model: APL66-106
- Company name:
SonicWall Inc. is the responsible party for this product. For an EMC compliance issue or a regulatory inquiry, please use the following contact information:
SonicWall Inc.
1033 McCarthy Blvd
Milpitas, CA 95035
+1-888-557-6642

FCC, Class B

This equipment generates, uses, and can radiate radio frequency energy and, if not installed and used in accordance with the manufacturer's instruction manual, may cause interference with radio and television reception.

This equipment has been tested and found to comply with the limits for a Class B digital device pursuant to Part 15 of the FCC Rules.

① **NOTE:** The FCC regulations provide that changes or modifications not expressly approved by SonicWall Inc. could void your authority to operate this equipment.

These limits are designed to provide reasonable protection against harmful interference in a residential installation. However, there is no guarantee that interference will not occur in a particular installation. If this equipment does cause harmful interference with radio or television reception, which can be determined by turning the equipment off and on, you are encouraged to try to correct the interference by one or more of the following measures:

- Reorient or relocate the antenna of the radio/television receiver.
- Increase the separation between this equipment and the radio/television receiver.
- Plug the system into a different outlet so that the system and the receiver are on different power mains branch circuits.
- Consult a representative of SonicWall Inc. or an experienced radio/television technician for additional suggestions.

Radiation Exposure Statement (FCC)

△ **CAUTION:** The radiated output power of this device is below the FCC radio frequency exposure limits. Nevertheless, this device should be used in such a manner that the potential for human contact during normal operation is minimized. This device has been evaluated for and shown compliant with the FCC RF Exposure limits under mobile exposure conditions (antennas are greater than 36 cm from a person's body). Details of the authorized configurations can be found at <https://apps.fcc.gov/oetcf/eas/reports/GenericSearch.cfm> by entering the FCC ID number on the device.

United States of America Authorized Channels

SonicWall declares that the 681 (FCC ID: 2AKCZ-107) when sold in the USA is limited to CH1-CH11 by specified firmware controlled in the USA.

△ **CAUTION:** This device is restricted to indoor use due to its operation in the 5.15GHz to 5.25GHz frequency range. The FCC requires this product to be used indoors for the frequency range 5.15GHz to 5.25GHz to reduce the potential for harmful interference to co-channel Mobile Satellite systems.

High power radars are allocated as primary users of the 5.25GHz to 5.35GHz and 5.65GHz to 5.85GHz bands. These radar stations can cause interference with this device or can cause damage to this device, or both.

The 681 device has been designed to operate with an internal antenna. Antenna is not user accessible.

Dynamic Frequency Selection (DFS) is required on all Wireless LAN Master devices (usually Access Points) and Wireless LAN Clients (usually Wireless NICs) that operate within 5470MHz – 5725MHz. SonicWaves that have these frequencies and channels enabled in this range comply with North American and International DFS

requirements. Some frequencies are blocked, and cannot be selected by the user per each specific regional approval.

Specific to the USA, at the urging of the Federal Communication Commission (FCC) user/installers should avoid operation frequencies near Terminal Doppler Weather Radar (TDWR) systems frequencies 5600-5650 MHz when installing a SonicWave within 35km of line-of-site of TDWR sites. If TDWR is within 35km the SonicWave, frequencies should be set to at least 30MHz above or below any TDWR system frequency at that site. TDWR locations and specific frequencies used can be found at <http://spectrumbridge.com/udrs/home.aspx>. Detailed current and background information can be found at http://www.wispa.org/?page_id=2341.

Innovation, Science and Economic Development Canada Notices

This Class B digital apparatus complies with Canadian ICES-003.

① **NOTE:** The Innovation, Science and Economic Development Canada regulations provide that changes or modifications not expressly approved by SonicWall Inc. could void your authority to operate this equipment.

Authorized Channels

SonicWall declares that the 681 (IC: 22137-107) when sold in Canada is limited to CH1~CH11 by specified firmware controlled in the USA.

Operation

This device complies with RSS-247 of the Innovation, Science and Economic Development Canada Rules. Operation is subject to the following two conditions: (1) This device may not cause harmful interference, and (2) this device must accept any interference received, including interference that may cause undesired operation.

Radiation Exposure Statement

This equipment complies with ISED radiation exposure limits set forth for an uncontrolled environment. This equipment should be installed and operated with a minimum distance of 36 cm between the radiator and your body.

This device has been certified for use in Canada. Status of the listing in the Innovation, Science and Economic Development Canada's REL (Radio Equipment List) can be found at the following web address: https://sms-sgs.ic.gc.ca/equipmentSearch/searchRadioEquipments?execution=e1s1&lang=en_CA.

Additional Canadian information on RF exposure also can be found at the following web address: <http://www.ic.gc.ca/eic/site/smt-gst.nsf/eng/sf08792.html>.

Antenna

Under Innovation, Science and Economic Development Canada regulations, this radio transmitter may only operate using internal antennas installed at the factory. Internal antennas are not user accessible. Any

modification voids user authority to use the wireless functions.

DFS Band Warnings

(i) The device for operation in the band 5150-5250 MHz is only for indoor use to reduce the potential for harmful interference to co-channel mobile satellite systems;

(ii) The maximum antenna gain permitted for devices in the bands 5250-5350 MHz and 5470-5725 MHz shall comply with the e.i.r.p. limit;

(iii) The maximum antenna gain permitted for devices in the band 5725-5825 MHz shall comply with the e.i.r.p. limits specified for point-to-point and non point-to-point operation as appropriate.

Users should also be advised that high-power radars are allocated as primary users (i.e. priority users) of the bands 5250-5350 MHz and 5650-5850 MHz and that these radars could cause interference and/or damage to LE-LAN devices.

Innovation, Sciences et Développement économique Canada Notifications

Cet appareil numérique de la classe B est conforme à la norme NMB-003 du Canada.

① **NOTE:** AVIS: Dans le cadre des réglementations d'Innovation, Sciences et Développement économique Canada, vos droits d'utilisation de cet équipement peuvent être annulés si des changements ou modifications non expressément approuvés par SonicWall Inc. y sont apportés.

Chaînes autorisées

SonicWall déclare que l'681 (IC: 22137-107) une fois vendu au Canada est limité à CH1~CH11 par spécifique microprogrammé aux Etats-Unis.

Opération

Le présent appareil est conforme aux CNR d'Innovation, Sciences et Développement économique Canada applicables aux appareils radio exempts de licence. L'exploitation est autorisée aux deux conditions suivantes : (1) l'appareil ne doit pas produire de brouillage, et (2) l'utilisateur de l'appareil doit accepter tout brouillage radioélectrique subi, même si le brouillage est susceptible d'en compromettre le fonctionnement.

Déclaration de l'exposition aux radiations

Cet équipement est conforme à l'exposition aux rayonnements d'Innovation, Sciences et Développement économique Canada limites établies pour un environnement non contrôlé. Cet équipement doit être installé et utilisé avec un minimum de 36 cm de distance entre le radiateur et votre corps.

Cet appareil est homologué pour l'utilisation au Canada. Pour consulter l'entrée correspondant à l'appareil dans la liste d'équipement radio (REL - Radio Equipment List) d'Innovation, Sciences et Développement économique

Canada, rendez-vous sur: https://sms-sgs.ic.gc.ca/equipmentSearch/searchRadioEquipments?execution=e1s1&lang=fr_CA

Pour des informations canadiennes supplémentaires sur l'exposition FR, rendez-vous sur: <https://www.ic.gc.ca/eic/site/smt-gst.nsf/fra/sf08792.html>.

Antenne

Selon les règles en vigueur à Innovation, Sciences et Développement économique Canada, cet émetteur radio doit être utilisé uniquement avec les antennes internes qui sont installées dans l'usine. Les antennes internes ne sont pas accessibles à l'utilisateur. Toute modification annule le droit de l'utilisateur d'utiliser les fonctions sans fil.

Attention: (utilisation de bande DFS)

- (i) Les dispositifs fonctionnant dans la bande 5150-5250 MHz sont réservés uniquement pour une utilisation à l'intérieur afin de réduire les risques de brouillage préjudiciable aux systèmes de satellites mobiles utilisant les mêmes canaux;
- (ii) Le gain maximal d'antenne permis pour les dispositifs utilisant les bandes 5250-5350 MHz et 5470-5725 MHz doit se conformer à la limite de p.i.r.e.;
- (iii) Le gain maximal d'antenne permis (pour les dispositifs utilisant la bande 5725-5825 MHz) doit se conformer à la limite de p.i.r.e. spécifiée pour l'exploitation point à point et non point à point, selon le cas.

De plus, les utilisateurs devraient aussi être avisés que les utilisateurs de radars de haute puissance sont désignés utilisateurs principaux (c.-à-d., qu'ils ont la priorité) pour les bandes 5250-5350 MHz et 5650-5850 MHz et que ces radars pourraient causer du brouillage et/ou des dommages aux dispositifs LAN-EL.

低功率電波輻射性電機管理辦法

第十二條 經型式認證合格之低功率射頻電機，非經許可，公司、商號或使用者均不得擅自變更頻率、加大功率或變更原設計之特性及功能。

第十四條 低功率射頻電機之使用不得影響飛航安全及干擾合法通信；經發現有干擾現象時，應立即停用，並改善至無干擾時方得繼續使用。前項合法通信，指依電信法規定作業之無線電通信。低功率射頻電機須忍受合法通信或工業、科學及醫療用電波輻射性電機設備之干擾。

使用此產品時應避免影響附近雷達系統之操作。

高增益指向性天線只得應用於固定式點對點系統。

電磁波曝露量MPE標準值1mW/cm²，送測產品實測值為0.962W/cm²。本產品使用時建議應距離人體36cm。

CE Notice



EU and EFTA

This SonicWall appliance contains radio equipment to provide 2.4 GHz and 5 GHz RLAN/WLAN. To maintain Radio Equipment Directive 2014/53/EU compliance, use only SonicOS software and accessories provided with this appliance and by SonicWall.

Diese SonicWall Appliance enthält Funkanlagen zur Bereitstellung von RLAN/WLAN im Frequenzbereich von 2,4 GHz und 5 GHz. Verwenden Sie zur Einhaltung der Funkanlagenrichtlinie 2014/53/EU (Radio Equipment Directive – RED) ausschließlich SonicOS Software und Zubehör, das mit dieser Appliance und von SonicWall bereitgestellt wird.

To maintain safe exposure levels to electromagnetic fields, place appliance a minimum of 54 cm from all persons and domestic animals.

Zur Einhaltung unbedenklicher Expositionswerte durch elektromagnetische Felder sollte sich die Appliance mindestens 54 cm von Personen und Haustieren entfernt befinden.

⚠ WARNING: This SonicWall wireless appliance is restricted to indoor use. Diese SonicWall Appliance ist auf die Nutzung in Innenräumen beschränkt.

This device is approved for use in EU member states and EFTA countries as shown on the appliance label.

**SONICWAVE 681 (RM: APL66-106) RF TRANSMITTER BANDS AND POWER FREQUENCY BANDS
MAXIMUM RADIO-FREQUENCY POWER TRANSMITTED MHZ DBM EIRP2412 - 2472 19.905180 - 5240
22.925260 - 5320 22.825500 - 5700 27.96**

Frequency Bands	Maximum Radio-Frequency Power Transmitted
MHz	dBm EIRP
2412 - 2472	19.99
5180 - 5240	22.97
5260 - 5320	22.87
5500 - 5700	29.99

Declaration of Conformity

A “Declaration of Conformity” in accordance with the directives and standards has been made and is on file at SonicWall International Limited, City Gate Park, Mahon, Cork, Ireland.

CE declarations can be found online at <https://www.sonicwall.com/support>.

① NOTE: Additional regulatory notifications and information for this product can be found online at <https://www.sonicwall.com/support>.

Simplified EU/CE Declaration of Conformity

A “Declaration of Conformity” in accordance with the directives and standards has been made and is on file at: SonicWall International Limited, City Gate Park, Mahon, Cork, Ireland.

Hereby, SonicWall Inc. declares that the radio equipment type 2.4 GHz and 5 GHz RLAN/WLAN is in compliance with Directive 2014/53/EU.

The full text of the EU declaration of conformity is available at the following Internet address:

<https://www.SonicWall.com/Support>

Hierbij verklaar ik, SonicWall Inc., dat het type radioapparatuur 2.4 GHz and 5 GHz RLAN/WLAN conform is met Richtlijn 2014/53/EU. De volledige tekst van de EU-conformiteitsverklaring kan worden geraadpleegd op het volgende internetadres: <https://www.SonicWall.com/Support>

De volledige tekst van de EU-conformiteitsverklaring kan worden geraadpleegd op het volgende internetadres:

<https://www.SonicWall.com/Support>

Hiermit erklärt SonicWall Inc., dass der Funkanlagentyp 2.4 GHz and 5 GHz RLAN/WLAN der Richtlinie 2014/53/EU entspricht. Der vollständige Text der EU-Konformitätserklärung ist unter der folgenden Internetadresse verfügbar: <https://www.SonicWall.com/Support>

Der vollständige Text der EU-Konformitätserklärung ist unter der folgenden Internetadresse verfügbar:

<https://www.SonicWall.com/Support>

Le soussigné, SonicWall Inc., déclare que l'équipement radioélectrique du type 2.4 GHz and 5 GHz RLAN/WLAN est conforme à la directive 2014/53/UE.

Le texte complet de la déclaration UE de conformité est disponible à l'adresse internet suivante:

<https://www.SonicWall.com/Support>

С настоящото SonicWall Inc. декларира, че този тип радиосъоръжение 2.4 GHz and 5 GHz RLAN/WLAN е в съответствие с Директива 2014/53/ЕС.

Цялостният текст на ЕС декларацията за съответствие може да се намери на следния интернет адрес:

<https://www.SonicWall.com/Support>

Tímto SonicWall Inc. prohlašuje, že typ rádiového zařízení 2.4 GHz and 5 GHz RLAN/WLAN je v souladu se směrnicí 2014/53/EU.

Úplné znění EU prohlášení o shodě je k dispozici na této internetové adrese:

<https://www.SonicWall.com/Support>

Hermed erklærer SonicWall Inc., at radioudstyrstypen 2.4 GHz and 5 GHz RLAN/WLAN er i overensstemmelse med direktiv 2014/53/EU.

EU-overensstemmelseserklæringens fulde tekst kan findes på følgende internetadresse:

<https://www.SonicWall.com/Support>

Με την παρούσα ο/η SonicWall Inc., δηλώνει ότι ο ραδιοεξοπλισμός 2.4 GHz and 5 GHz RLAN/WLAN πληροί την οδηγία 2014/53/ΕΕ. Το πλήρες κείμενο της δήλωσης συμμόρφωσης ΕΕ διατίθεται στην ακόλουθη ιστοσελίδα στο διαδίκτυο: <https://www.SonicWall.com/Support>

Το πλήρες κείμενο της δήλωσης συμμόρφωσης ΕΕ διατίθεται στην ακόλουθη ιστοσελίδα στο διαδίκτυο:
<https://www.SonicWall.com/Support>

Por la presente, SonicWall Inc. declara que el tipo de equipo radioeléctrico [2.4 GHz and 5 GHz RLAN/WLAN es conforme con la Directiva 2014/53/UE.

El texto completo de la declaración UE de conformidad está disponible en la dirección Internet siguiente:
<https://www.SonicWall.com/Support>

Käesolevaga deklareerib SonicWall Inc., et käesolev raadioseadme tüüp 2.4 GHz and 5 GHz RLAN/WLAN vastab direktiivi 2014/53/EL nõuetele.

ELi vastavusdeklaratsiooni täielik tekst on kättesaadav järgmisel internetiaadressil:
<https://www.SonicWall.com/Support>

SonicWall Inc. vakuuttaa, että radiolaitetyyppi 2.4 GHz and 5 GHz RLAN/WLAN on direktiivin 2014/53/EU mukainen. EU-vaatimustenmukaisuusvakuutuksen täysimittainen teksti on saatavilla seuraavassa internetosoitteessa: <https://www.SonicWall.com/Support>

EU-vaatimustenmukaisuusvakuutuksen täysimittainen teksti on saatavilla seuraavassa internetosoitteessa:
<https://www.SonicWall.com/Support>

SonicWall Inc. ovime izjavljuje da je radijska oprema tipa 2.4 GHz and 5 GHz RLAN/WLAN u skladu s Direktivom 2014/53/EU.

Cjeloviti tekst EU izjave o sukladnosti dostupan je na sljedećoj internetskoj adresi:
<https://www.SonicWall.com/Support>

SonicWall Inc. igazolja, hogy a 2.4 GHz and 5 GHz RLAN/WLAN típusú rádióberendezés megfelel a 2014/53/EU irányelvnek.

Az EU-megfelelőségi nyilatkozat teljes szövege elérhető a következő internetes címen:
<https://www.SonicWall.com/Support>

Il fabbricante, SonicWall Inc., dichiara che il tipo di apparecchiatura radio 2.4 GHz and 5 GHz RLAN/WLAN è conforme alla direttiva 2014/53/UE.

Il testo completo della dichiarazione di conformità UE è disponibile al seguente indirizzo Internet:
<https://www.SonicWall.com/Support>

Aš, SonicWall Inc., patvirtinu, kad radijo įrenginių tipas 2.4 GHz and 5 GHz RLAN/WLAN atitinka Direktyvą 2014/53/ES.

Visas ES atitikties deklaracijos tekstas prieinamas šiuo interneto adresu: <https://www.SonicWall.com/Support>

Ar šo SonicWall Inc. deklarē, ka radioiekārta 2.4 GHz and 5 GHz RLAN/WLAN atbilst Direktīvai 2014/53/ES.

Pilns ES atbilstības deklarācijas teksts ir pieejams šādā interneta vietnē: <https://www.SonicWall.com/Support>

B'dan, SonicWall Inc., niddikjara li dan it-tip ta' tagħmir tar-radju 2.4 GHz and 5 GHz RLAN/WLAN huwa konformi mad-Direttiva 2014/53/UE.

It-test kollu tad-dikjarazzjoni ta' konformità tal-UE huwa disponibbli f'dan l-indirizz tal-Internet li ġej:
<https://www.SonicWall.com/Support>

SonicWall Inc. niniejszym oświadcza, że typ urządzenia radiowego 2.4 GHz and 5 GHz RLAN/WLAN jest zgodny z dyrektywą 2014/53/UE.

Pełny tekst deklaracji zgodności UE jest dostępny pod następującym adresem internetowym:

<https://www.SonicWall.com/Support>

Prin prezenta, SonicWall Inc. declară că tipul de echipamente radio 2.4 GHz and 5 GHz RLAN/WLAN este în conformitate cu Directiva 2014/53/UE.

Textul integral al declarației UE de conformitate este disponibil la următoarea adresă internet:

<https://www.SonicWall.com/Support>

SonicWall Inc. týmto vyhlasuje, že rádiové zariadenie typu 2.4 GHz and 5 GHz RLAN/WLAN je v súlade so smernicou 2014/53/EÚ.

Úplné EÚ vyhlásenie o zhode je k dispozícii na tejto internetovej adrese: <https://www.SonicWall.com/Support>

SonicWall Inc. potrjuje, da je tip radijske opreme 2.4 GHz and 5 GHz RLAN/WLAN skladen z Direktivo 2014/53/EU.

Celotno besedilo izjave EU o skladnosti je na voljo na naslednjem spletnem naslovu:

<https://www.SonicWall.com/Support>

Härmed försäkrar SonicWall Inc. att denna typ av radioutrustning 2.4 GHz and 5 GHz RLAN/WLAN överensstämmer med direktiv 2014/53/EU.

Den fullständiga texten till EU-försäkran om överensstämmelse finns på följande webbadress:

<https://www.SonicWall.com/Support>

Country Selection

In the SonicWall configuration interface, when selecting a location country, you must select the country where the product is being deployed. Local regulations may require certain settings. Failure to select the correct country may cause the device to be non-compliant with such regulations and could cause interference with other systems. If the product is to be deployed in a country that is not listed, do not enable the radio, and immediately contact SonicWall Customer Support for assistance.

Electromagnetic Compatibility Information

This section provides country-specific EMC/EMI information.

- [Electromagnetic Compatibility](#)
- [Електромагнитна съвместимост](#)
- [电磁兼容性](#)
- [電磁相容](#)
- [Elektromagnetska kompatibilnost](#)

- Elektromagnetická kompatibilita
- Elektromagnetisk kompatibilitet
- Elektromagnetische compatibiliteit
- Elektromagnetiline ühilduvus
- Sähkömagneettisella yhteensopivuudella
- Compatibilité électromagnétique
- Elektromagnetischer Verträglichkeit
- Ηλεκτρομαγνητική συμβατότητα
- Elektromágneses kompatibilitás
- Compatibilità elettromagnetica
- 電磁的兩立性
- 전자기 호환성
- Elektromagnētiskā saderība
- Elektromagnetinis suderinamumas
- Kompatibilità elettromanjetika
- Zgodność elektromagnetyczna
- Compatibilidade eletromagnética
- Электромагнитной совместимостью
- Elektromagnetna združljivost
- Compatibilidad electromagnética
- ความเข้ากันได้ ทางแม่เหล็กไฟฟ้า
- Elektromanyetik uyumluluk

Electromagnetic Compatibility

Electromagnetic Interference (EMI) is any signal or emission, radiated in free space or conducted along power or signal leads, that endangers the functioning of radio navigation or other safety service or seriously degrades, obstructs, or repeatedly interrupts a licensed radio communications service. Radio communications services include but are not limited to AM/FM commercial broadcast, television, cellular services, radar, air-traffic control, pager, and Personal Communication Services (PCS). These licensed radio services, and unlicensed radio services, such as WLAN or Bluetooth, along with unintentional radiators such as digital devices, including computer systems, contribute to the electromagnetic environment.

Electromagnetic Compatibility (EMC) is the ability of items of electronic equipment to function properly together in the electronic environment. While this computer system has been designed and determined to be compliant with regulatory agency limits for EMI, there is no guarantee that interference will not occur in a particular installation.

SonicWall products are designed, tested, and classified for their intended electromagnetic environment. These electromagnetic environment classifications generally refer to the following harmonized definitions:

- **Class B** products are intended for use in residential/domestic environments but may also be used in nonresidential/non-domestic environments.
 - ① **NOTE:** The residential/domestic environment is an environment where the use of broadcast radio and television receivers may be expected within a distance of 10 m from where this product is used.
- **Class A** products are intended for use in non-residential/non-domestic environments. Class A products may also be utilized in residential/domestic environments but may cause interference and require the user to take adequate corrective measures.

If this equipment does cause interference with radio communications services, which can be determined by turning the equipment off and on, you are encouraged to try to correct the interference by one or more of the following measures:

- Reorient the receiving antenna.
- Relocate the computer with respect to the receiver.
- Move the computer away from the receiver.
- Plug the computer into a different outlet so that the computer and the receiver are on different branch circuits.

If necessary, consult a SonicWall Technical Support representative or an experienced radio/television or EMC technician for additional suggestions.

Information Technology Equipment (ITE), including peripherals, expansion cards, printers, input/output (I/O) devices, monitors, and so on, that are integrated into or connected to the system should match the electromagnetic environment classification of the computer system.

A Notice about Shielded Signal Cables: Use only shielded cables for connecting peripherals to any SonicWall device to reduce the possibility of interference with radio communications services. Using shielded cables ensures that you maintain the appropriate EMC classification for the intended environment. If you prefer, you can order a cable from SonicWall on the World Wide Web at <https://www.sonicwall.com>.

SonicWall has determined that this product is a **Class B** harmonized product. The following sections provide country-specific EMC/EMI or product safety information.

Електромагнитна съвместимост

Електромагнитните смущения (EMI) са всички сигнали или лъчения, излъчени в свободното пространство, или протичащи по електрически или сигнални кабели, които застрашават

функционирането на радио навигацията или на друга услуга за безопасност, или сериозно влошават, пречат на или постоянно прекъсват лицензирана радиокомуникационна услуга. Радиокомуникационните услуги включват, без изброяването да е изчерпателно, AM/FM рекламни предавания, телевизия, клетъчни услуги, радиолокация, управление на въздушния трафик и Персонални комуникационни услуги (ПКУ). Тези лицензирани радиопредавателни услуги и нелицензирани радиопредавателни услуги, като например WLAN или Bluetooth, заедно с неволни излъчватели като цифрови устройства, включително компютърни системи, допринасят към електромагнитната среда.

Електромагнитна съвместимост (ЕМС) е способността на различните единици електронно оборудване да работят добре при съвместна работа в електронна среда. Тази компютърна система е създадена и предназначена да е съвместима с регулаторните ограничения за ЕМИ, но няма гаранция, че в някои случаи няма да има смущения.

Продуктите на SonicWall са проектирани, тествани и класифицирани съобразно условията на електромагнитната среда, за която са предназначени. Тези класификации според електромагнитната среда обикновено се отнасят към следните хармонизирани дефиниции:

- **Клас В** продуктите са предназначени за използване в жилищна/домашна обстановка, но могат също така да се използват и в други обстановки.

① **NOTE:** БЕЛЕЖКА: Жилищната/домашна обстановка е обстановка, в която може да се очаква използването на радио- и телевизионни приемници в разстояние от 10 м от мястото, на което се използва продукта.

- **Клас А** продуктите са предназначени за използване в не-жилищна/не-домашна обстановка. Продуктите от Клас А могат да се използват и в жилищна/домашна обстановка, но могат да причинят интерференции и да се наложи потребителят да вземе съответните корективни мерки.

Ако това устройство причинява интерференция с радиокомуникационни услуги, което се определя чрез включване и изключване на устройството, бихте могли да коригирате интерференцията по един или няколко от следните начини:

- Преориентиране на приемателната антена.
- Преместване на компютъра спрямо приемника.
- Отдалечаване на компютъра от приемника.
- Включете компютъра в различен контакт, така че компютърът и приемникът да са към различни електрически вериги.

Ако е необходимо, свържете се с представител от отдела за техническа поддръжка на SonicWall или с опитен радио/ТВ или ЕМС техник за допълнителни предложения.

Информационно-технологичното оборудване (ИТЕ), включително периферия, разширителни карти, принтери, входно-изходни устройства (I/O), монитори и т.н., които са интегрирани в компютъра или са свързани към него, трябва да отговарят на електромагнитната класификация на компютърната система.

Бележка за екранираните сигнални кабели: Използвайте само екранирани кабели за свързване на периферия към всяко устройство на SonicWall, за да намалите вероятността от интерференция с радиокомуникационните услуги. Чрез употреба на екранирани кабели се постига подходящата ЕМС класификация за предполагаемата среда. Ако предпочитате, можете да си поръчате кабел от SonicWall по интернет на адрес <https://www.sonicwall.com>.

SonicWall определя този продукт като хармонизиран продукт от **Клас В**. Следващите раздели съдържат специфична за страните информация относно електромагнитната съвместимост и интерференция (ЕМС/ЕМИ) или информацията относно безопасността на продукта.

电磁兼容性

电磁干扰(EMI)是一种信号或辐射,它散布在空中或通过电源线或信号线传送,这样会对无线电导航或其它安全服务的正常工作造成危害,或者严重影响、阻止或重复中断获得许可的无线电通信服务。无线电通信服务包括但不限于调幅/调频商业广播、电视、蜂窝式无线电通信、雷达、空中交通管制、寻呼机和个人通信服务(PCS)。这些许可的或未许可的无线电服务,例如无线局域网或蓝牙,以及无意识的辐射体,例如数字设备,包括计算机系统,都会造成电磁干扰。

电磁兼容性(EMC)是指各种电子设备在电子环境中共同正常工作的能力。本计算机系统经设计并确定符合管制机构对于 EMI 的限制,但是并不保证在某个特定的安装中绝对不会产生干扰。

SonicWall 产品经设计、测试和分类用于其预定的电磁环境。这些电磁环境分类通常是指以下统一的定义:

- 乙类产品主要用于居住/室内环境但也会用于非居住/室外环境。

① | **NOTE:** 注:居住/室内环境是指在距离本产品的 10 米之内可以使用无线电和电视广播接收设备。

- 甲类产品主要用于非居住/室外环境。甲类产品也可能用于居住/室内环境但会造成干扰并要求用户有足够的正确考虑。

如果此设备确实对无线电通信服务造成了干扰(可以通过关闭和打开设备来确定),请尝试以下一种或多种方法来排除干扰:

- 重新调整接收天线的方向。
- 改变计算机相对于接收器的位置。
- 将计算机移至远离接收器的位置。
- 将计算机连接至不同的电源插座,使计算机与接收器不在同一分支电路上。

如有必要,请咨询 SonicWall 硬件担保支持代表或有经验的无线电/电视技术人员或电磁兼容性(EMC)技术人员以获得更多的建议。

系统集成或连接的信息技术设备(ITE),包括外围设备、扩充卡、打印机、输入/输出(I/O)设备、显示器等,均应与计算机系统的电磁环境分类相匹配。

关于屏蔽信号电缆的通告:将外围设备连接至任何 SonicWall 设备时,请仅使用屏蔽电缆,以减少对无线电通信服务造成干扰的可能性。使用屏蔽电缆可以确保在预期的环境中保持相应的 EMC 分类。如果您需要,您可以从环球网 <https://www.sonicwall.com> 向 SonicWall 订购一条电缆。

SonicWall 已确定该产品是乙类产品。每一节均提供了某个国家或地区特定的电磁兼容性/EMI 或产品安全信息。

電磁相容

電磁干擾(EMI)是任何訊號或放射,輻射在廣闊的空間指引電源或訊號導引,其將危及廣電導航功能或其它安全服務,或降低產品效能,阻擾,或重復地岔斷一個廣電通訊服務。無線電通訊服務包含但不限制於 AM/FM 業性廣播、電視、行動電話服務、雷達、空中交通管制、呼叫器及個人通訊服務(PCS)。這些已授權

的廣電服務, 和未授權的廣電服務, 如同 WLAN 或 Bluetooth, 與非有意輻射器如數位裝置, 包括電腦系統, 以適應電磁環境。

電磁相容(EMC)是指數種電子裝置在一電子環境下共同正常運作的能力。儘管該電腦系統經設計及確定符合管制單位對於 EMI 的限制, 但不能保證在進行某些特定的安裝時其不會產生干擾。

SonicWall 產品皆經過設計、測試並依其電磁環境分類。這些電磁環境的分類通常是指下列的和諧定義:

- **乙類** 產品是適用於住宅/家庭環境, 但也可能使用於非住宅/非家庭的環境中。

① **NOTE:** 註: 住宅/家庭環境是代表此產品使用的 10 公尺距離內運用廣播與電視接收器接收訊號的可能環境範圍。

- **甲類** 產品是適用於非住宅/非家庭的環境。甲類產品也可以運用於住宅/家庭環境, 但可能會造成干擾且要求用戶來作適當且正確的測量。

如果該裝置確實干擾無線電通訊服務, 這可以透過開關該裝置來確定, 您可以嘗試下列一種或多種方式來修正干擾:

- 改變接收天線的方向。
- 改變電腦相對於接收器的位置。
- 將電腦移離接收器。
- 將電腦插在不同的插座, 使電腦與接收器位於兩個不同的分支電路上。

如有必要, 請洽詢 SonicWall 支援代表, 或熟練的廣電技術人員或 EMC 技術人員, 以便獲得其他建議。

資訊技術設備(ITE), 包括週邊裝置、擴充卡、印表機、輸入/輸出裝置、顯示器等, 這些整合或連接到系統上的裝置應該與電腦系統的電磁環境類別匹配。

關於屏蔽訊號纜線的甲類通告: 僅使用屏蔽訊號來連接周邊裝置至任何 SonicWall 裝置以減少廣電通訊服務可能的干擾。使用屏蔽纜線能確保維持適當的預設環境電磁相容分類。使用屏蔽纜線能確保維持適當的預設環境電磁相容分類。如果您想要, 您可以從 SonicWall 全球網站 <https://www.sonicwall.com> 訂購一條纜線。

SonicWall 已決定此產品是一個乙類產品。下列章節提供國家詳細的 EMC/EMI 或產品安全資訊。

Elektromagnetska kompatibilnost

Elektromagnetska interferencija (EMI) je bilo koji signal ili emitiranje koje se upućuje u slobodan prostor ili se kreće duž vodova napajanja ili signala, a koje ugrožava funkcioniranje radio navigacije ili druge sigurnosne usluge ili ozbiljno smanjuje, ometa ili kontinuirano prekida licenciranu uslugu radiokomunikacija. Usluge radiokomunikacija uključuju, ali se ne ograničavaju na AM/FM komercijalno emitiranje, televiziju, usluge mobitela, radar, kontrolu zračnog prometa, pager te usluge osobne komunikacije (PCS). Ovi licencirani radio servisi i nelicencirani, kao što su WLAN ili Bluetooth, zajedno s nenamjernim izvornima zračenja, a kakvi su digitalni uređaji, uključujući računalne sustave, stvaraju elektromagnetsko okruženje.

Elektromagnetska kompatibilnost (EMC) je sposobnost dijelova elektroničke opreme da u elektroničkom okruženju ostvaruju ispravno zajedničko funkcioniranje. Ovo računalo je dizajnirano i odlučno kako bi bilo u skladu s ograničenjima upravnih agencija za EMI, međutim, nema jamstva da neće doći do interferencija u određenoj instalaciji.

SonicWall proizvodi su dizajnirani, testirani i klasificirani za svoje namijenjeno elektromagnetskog okruženje. Ove klasifikacije elektromagnetskog okruženja općenito se odnose na sljedeće usklađene definicije:

- Proizvodi **Klase B** namijenjeni su za korištenje u rezidencijalnim/domaćinskim okruženjima, ali mogu se koristiti i u nerezidencijalnim/nedomaćinskim okruženjima.

① **NOTE: NAPOMENA:** Rezidencijalno/domaćinsko okruženje je okruženje u kojem se korištenje radijskog emitiranja i televizijskih prijemnika može očekivati unutar 10 m od mjesta korištenja proizvoda.

- Proizvodi **Klase A** namijenjeni su za korištenje u nerezidencijalnim/nedomaćinskim okruženjima. Proizvodi klase A mogu se koristiti u rezidencijalnim/domaćinskim okruženjima, ali mogu prouzročiti smetnje pa korisnik mora poduzeti mjere ispravka.

Ako ova oprema uzrokuje interferenciju s uslugama radiokomunikacije, što se može utvrditi ako uključite i isključite opremu, potičemo vas da pokušate ispraviti interferenciju poduzimanjem jedne ili više od sljedećih mjera:

- Okrenite antenu primatelja.
- Premjestite računalo s obzirom na prijemnik.
- Udaljite računalo od prijemnika.
- Uključite računalo u drugu utičnicu tako da su računalo i prijemnik na različitim strujnim krugovima.

Ako je potrebno, za dodatne prijedloge kontaktirajte predstavnika Tehničke podrške tvrtke SonicWall ili iskusnog radio/televizijskog ili EMC tehničara.

Oprema informacijske tehnologije (ITE), uključujući perifernu opremu, kartice za proširenje, pisače, ulazne/izlazne (I/O) uređaje, monitore i tako dalje, koja je integrirana ili spojena na sustav, trebala bi odgovarati klasifikaciji elektromagnetskog okruženja računalnog sustava.

Obavijest o zaštićenim signalnim kabelima: Za priključivanje periferne opreme na bilo koji uređaj tvrtke SonicWall koristite samo zaštićene kabele kako biste smanjili mogućnost interferencije s uslugama radiokomunikacije. Korištenje zaštićenih kabela osigurava održavanje odgovarajuće klasifikacije elektromagnetske kompatibilnosti za namijenjeno okruženje. Kabel možete naručiti od tvrtke SonicWall na web-mjestu <https://www.sonicwall.com>.

Tvrtka SonicWall je odlučila da je ovaj proizvod sukladan proizvodima **Klase B**. Sljedeći odjeljci pružaju informacije o EMC/EMI ili sigurnosti proizvoda specifične za određenu zemlju.

Elektromagnetická kompatibilita

EMI (ElectroMagnetic Interference [elektromagnetická interference]) je jakýkoli signál nebo emise, vysílané/vyzařované do volného prostoru nebo vedené podél napájecích či signálních vodičů, vedoucí k ohrožení správné funkce rádiové navigace či jiné bezpečnostní služby nebo k vážnému zhoršení, znemožnění či opakovanému přerušování licencované radiokomunikační služby. Rádiové komunikační služby zahrnují mimo jiné komerční vysílání SV a VKV, televize, mobilní služby, radar, řízení dopravy, pager a služby PCS (Personal Communication Services). Tyto licencované a nelicencované rádiové služby (například WLAN nebo Bluetooth) společně se zařízeními, jejichž vedlejším účinkem je záření (například digitální zařízení včetně počítačových systémů), přispívají k charakteristice elektromagnetického prostředí.

EMC (ElectroMagnetic Compatibility [elektromagnetická kompatibilita]) je schopnost jednotlivých elektronických zařízení správně společně fungovat v daném elektronickém prostředí. Přestože byl tento počítačový systém vyroben a zamýšlen tak, aby byl v souladu s normami regulačních společností pro elektromagnetické rušení, nezaručujeme, že při určitém typu instalace nemůže k rušení dojít.

Výrobky SonicWall jsou zkonstruovány, otestovány a klasifikovány pro zamýšlené elektromagnetické provozní prostředí. Klasifikace elektromagnetického prostředí obecně vychází z následujících harmonizovaných definic:

- Produkty **třídy B** jsou určeny pro používání v obytném/domácím prostředí, ale mohou být rovněž používány v neobytném/nedomácím prostředí.

① **NOTE:** Poznámka: V obytném/domácím prostředí lze předpokládat použití přijímačů rádiového a televizního vysílání ve vzdálenosti 10 m od místa použití produktu.

- Produkty **třídy A** jsou určeny pro používání v neobytném/nedomácím prostředí. Produkty třídy A mohou být rovněž používány v obytném/domácím prostředí, ale mohou způsobovat rušení a vyžadovat, aby uživatel provedl odpovídající opravná opatření.

Pokud zařízení způsobuje rušení radiových komunikačních služeb, což můžete otestovat vypnutím a zapnutím zařízení, můžete zkusit rušení eliminovat některým z následujících způsobů:

- Změňte orientaci přijímací antény.
- Změňte polohu počítače vzhledem k přijímači.
- Umístěte počítač dále od přijímače.
- Zapojte počítač do jiné elektrické zásuvky tak, aby počítač a přijímač byly zapojeny v jiném elektrickém okruhu.

V případě nutnosti tento problém konzultujte se zástupcem technické podpory SonicWall nebo zkušeným radio/televizním technikem nebo slaboproudým technikem, kteří vám poskytnou dodatečnou nápovědu.

Zařízení informační technologie (ITE), včetně periferních zařízení, přídatných desek, tiskáren, vstupních/výstupních (I/O) zařízení, monitorů apod., která jsou integrována nebo připojena k systému, by měla respektovat hodnoty elektromagnetického prostředí počítačového systému.

Sdělení o stíněných signálních kabelech: Ke snížení rizika interference s radiokomunikačními službami používejte k připojení periferních zařízení k jakémukoli zařízení firmy SonicWall výhradně stíněné kabely. Použitím stíněných kabelů zajistíte, že bude dodržena příslušná klasifikace EMC pro cílové prostředí. Nicméně kabel si můžete také objednat od společnosti SonicWall na Internetu, na adrese <https://www.sonicwall.com>.

Společnost SonicWall stanovila, že tento výrobek je harmonizován s **třídou B**. V následujících částech jsou uvedeny informace o klasifikaci EMC/EMI či bezpečnostní informace specifické pro dané zařízení v uvedených zemích.

Elektromagnetisk kompatibilitet

EMI (elektromagnetisk interferens) er ethvert signal eller enhver udladning, der udstråles i det frie rum eller ledes langs strøm- eller signalkabler, der bringer funktionen af radionavigation eller andre sikkerhedstjenester i fare, eller som væsentligt forringer, forhindrer eller gentagne gange afbryder en licenseret radiokommunikationstjeneste. Radiokommunikationssystemer omfatter, men er ikke begrænset til, AM/FM-

udsendelser, TV, mobiltjenester, radar, kontrolsystemer til lufttrafik, personsøgere og personlige kommunikationstjenester. Disse radiotjenester på licens og radiotjenester uden licens, såsom WLAN eller Bluetooth, sammen med utilsigtede udstrålere, såsom digitalenheder, deriblandt computersystemer, bidrager til det elektromagnetiske miljø.

Elektromagnetisk kompatibilitet er udtryk for elektroniske komponenters evne til at fungere korrekt sammen i det elektroniskemiljø. Selvom dette computersystem er designet og bestemt til at overholde de gængse, fastlagte grænser for EMI, er der ingen garanti for, at interferens ikke vil kunne opstå i en bestemt installation.

SonicWall-produkter er beregnede, testede og klassificerede til deres tiltænkte elektromagnetiske miljø. Disse elektromagnetiske miljøklassifikationer følger generelt følgende harmoniserede definitioner:

- **Klasse B** produkter er beregnet til brug i husholdningsmiljøer, men kan også anvendes i ikke-husholdningsmiljøer.

① **NOTE:** Bemærk: Husholdningsmiljø er et miljø, hvor brugen af radio- og tvmodtagere kan forventes at være mindre end 10 meter væk fra det sted, hvor nærværende produkt bliver brugt.

- **Klasse A** produkter er beregnet til brug i ikke-holdningsmiljøer. Klasse A produkter kan også bruges i husholdningsmiljøer, men vil muligvis forårsage interferens og påkræve, at brugeren foretager tilstrækkelige foranstaltninger.

Hvis dette udstyr forstyrrer radiokommunikationstjenester, som kan registreres ved at tænde og slukke for udstyret, opfordres du til at forsøge at rette forstyrrelsen ved at gøre følgende ting, en efter en:

- Flyt retningen på modtagerantennen.
- Flyt computeren i forhold til modtageren.
- Flyt computeren væk fra modtageren.
- Sæt computeren i en anden stikkontakt, så computer og modtager er tilsluttet forskellige strømgrene.

Kontakt om nødvendigt en repræsentant fra SonicWall tekniske support eller en erfaren radio/tv-tekniker eller EMC-tekniker for yderligere forslag.

Informationsteknologisk udstyr, herunder enheder, ekspansionskort, printere, input/output (I/O) -enheder, skærme, osv., som er indbygget i eller tilsluttet systemet, bør passe med computersystemets klassificering af elektromagnetisk forhold.

En bemærkning om afskærmende signalkabler: Brug kun afskærmede kabler til tilslutning af enheder til enhver SonicWall-enhed for at reducere muligheden for forstyrrelse radiokommunikationstjenester. Brug af afskærmede kabler sikrer, at den korrekte EMC-klassificering til det tilsigtede miljø opretholdes. Du kan også bestille et kabel fra SonicWall på websideadressen <https://www.sonicwall.com>.

SonicWall har fastslået, at dette produkt er et **Klasse B**-harmoniseret produkt. De følgende afsnit giver landespecifik EMC/EMI-information eller oplysninger om produktsikkerhed.

Elektromagnetische compatibiliteit

Elektromagnetische storingen zijn in de vrije ruimte uitgestraalde of langs elektriciteits- of signaalkabels geleide signalen of emissies die de juiste werking van radionavigatiediensten en/of andere veiligheidsdiensten in gevaar brengen, de kwaliteit van een gemachtigde radiocommunicatiedienst ernstig aantasten of deze dienst

hinderen dan wel herhaaldelijk onderbreken. Radiocommunicatiediensten omvatten, maar zijn niet beperkt tot, commerciële uitzendingen via AM/FM-radio, televisie-uitzendingen, mobiele diensten, radarfuncties, luchtverkeer, semafoons en persoonlijke communicatiediensten. Deze gemachtigde radiocommunicatiediensten en ongemachtigde radiocommunicatiediensten, zoals WLAN of Bluetooth, dragen samen met apparaten die onopzettelijk straling veroorzaken, zoals digitale apparaten en computersystemen, bij aan de elektromagnetische omgeving.

Elektromagnetische compatibiliteit (EMC) is het vermogen van elektronische apparatuur om probleemloos binnen een elektronische omgeving te kunnen functioneren. Hoewel deze computer is ontwikkeld om te voldoen aan de regelgeving met betrekking tot limietwaarden voor elektromagnetische storingen en voor dat doel geschikt is bevonden, kunnen wij niet garanderen dat er bij een bepaalde installatie geen storing optreedt.

SonicWall-producten zijn ontworpen, getest en geclassificeerd voor de elektromagnetische omgeving waarvoor ze zijn bestemd. Deze classificaties voor de elektromagnetische omgeving hebben gewoonlijk betrekking op de volgende geharmoniseerde definities:

- **Klasse B**-producten zijn bestemd voor gebruik binnen woonomgevingen, maar kunnen eveneens binnen niet-woon omgeving worden gebruikt.

① **NOTE:** Opmerking: Een woonomgeving is een omgeving waar naar alle waarschijnlijkheid gebruik wordt gemaakt van radio- en televisieontvangers die zich binnen 10 m afstand bevinden van de locatie waarop een dergelijk product wordt gebruikt.

- **Klasse A**-producten zijn bestemd voor gebruik binnen niet-woon omgevingen. Klasse A-producten kunnen eveneens worden gebruikt in woonomgevingen, maar kunnen storing veroorzaken, in welk geval de gebruiker passende maatregelen dient te nemen.

Indien radiocommunicatiediensten als gevolg van het gebruik van deze apparatuur worden verstoord, hetgeen u kunt vaststellen door de apparatuur uit te schakelen en vervolgens weer in te schakelen, kunt u de storing als volgt proberen op te heffen:

- Richt de ontvangstantenne een andere kant op.
- Verplaats de computer ten opzichte van de ontvanger.
- Vergroot de afstand tussen de computer en ontvanger.
- Sluit de stekker van de computer aan op een ander stopcontact, zodat de computer en de ontvanger niet op dezelfde stroomgroep zijn aangesloten.

Raadpleeg indien nodig een medewerker van de technische ondersteuning van SonicWall, of een ervaren radio- of televisiereparateur voor aanvullend advies.

IT-apparatuur, zoals randapparatuur, uitbreidingskaarten, printers, input/output (I/O)-apparaten, monitors etc. die in de computer zijn ingebouwd of daarop zijn aangesloten dienen overeen te komen met de elektromagnetische omgevingsclassificatie van de computer.

Kennisgeving ten aanzien van afgeschermd signaalkabels: Gebruik uitsluitend afgeschermd kabels om randapparatuur aan te sluiten op SonicWall-apparaten. Hierdoor wordt het risico van storing van radiocommunicatiediensten verlaagd. Gebruik beveiligde signaalkabels om er zeker van te zijn dat de juiste EMC-classificatie voor de bedoelde omgeving wordt gehandhaafd. Desgewenst kunt online een kabel bij SonicWall bestellen via <https://www.sonicwall.com>.

SonicWall heeft vastgesteld dat dit product een geharmoniseerd **Klasse B**-product is. De volgende gedeeltes bieden landspecifieke EMC/EMI- of productveiligheidsinformatie.

Elektromagnetiline ühilduvus

Elektromagnetiline häire (EMI) on mis tahes signaal või kiirgus, mis kiirgab vabas ruumis või mida antakse edasi elektri- või signaalijuhtmete kaudu, mis ohustab raadionavigatsiooni- või muude ohutusteenistuste tööd või halvendab, takistab tõsiselt või katkestab korduvalt litsentseeritud raadiosideteenuseid. Raadiosideteenused hõlmavad AM/FM-kommertsringhäälingut, televisiooni, mobiilsideteenuseid, radareid, õhuliikluse juhtimist, peileriteenust ja isiklikku sideteenust (PCS), kuid ei piirdu nendega. Nimetatud litsentseeritud radioteenused ja litsentseerimata teenused, näiteks WLAN või Bluetooth, ning soovimatu kiirguse allikad, näiteks digitaalseadmed, sh arvutisüsteemid, aitavad kaasa elektromagnetilise keskkonna tekkele.

Elektromagnetiline ühilduvus (EMC) on elektroonikaseadmete võime funktsioneerida elektroonilises keskkonnas nõuetekohaselt koos. Kuigi see arvutisüsteem on kavandatud vastama reguleeriva asutuse poolt kehtestatud EMI piiridele ja selles suhtes kontrollitud, ei saa garanteerida häirete puudumist konkreetses paigalduskohas.

SonicWall tooted on kavandatud, testitud ja klassifitseeritud ettenähtud elektromagnetilise keskkonna tarbeks. Nimetatud elektromagnetilised klassifikatsioonid viitavad üldiselt järgmistele kooskõlastatud definitsioonidele:

- **B-klassi** tooted on mõeldud kasutamiseks elamutes / koduses keskkonnas, kuid neid võib kasutada ka ühiskondlikes hoonetes / mittekoduses keskkonnas.

Märkus: Elamu / kodune keskkond on keskkond, kus ringhäälingu raadiovastuvõtjaid ja telereid saab eeldatavasti kasutada 10 m raadiuses toote kasutamise kohast.

- **A-klassi** tooted on mõeldud kasutamiseks ühiskondlikes hoonetes / mittekoduses keskkonnas. A-klassi tooteid võib kasutada ka elamutes / koduses keskkonnas, kuid need võivad põhjustada häireid ja nõuda kasutajapoolseid korrigeerivaid meetmeid.

Kui antud seade põhjustab häireid raadiosideteenustele, mida võib kindlaks teha seadet sisse ja välja lülitades, siis palume teil püüda häireid korrigeerida ühe või mitme alltoodud meetodi abil:

- Suunake vastuvõtuantenn mujale.
- Paigutage arvuti vastuvõtja suhtes ümber.
- Paigutage arvuti vastuvõtjast eemale.
- Ühendage arvuti teise toitepistikusse, et arvuti ja vastuvõtja oleksid erinevates vooluahelates.

Vajadusel pöörduge täiendavate soovitude saamiseks SonicWall i tehnilise toe esindaja või kogenud raadio-/televisiooni- või EMC-tehnika poole.

Süsteemi integreeritud või ühendatud infotehnoloogiaseadmed, sh välisseadmed, laienduskaardid, printerid, sisend-/väljundseadmed, monitorid jne, peaksid omama arvutiga sama elektromagnetilist klassifikatsiooni.

Märkus varjestatud signaalikaablite kohta: Ühendage välisseadmed mis tahes SonicWall seadme külge ainult varjestatud kaablite abil, et vähendada häireid raadiosideteenustele. Varjestatud kaablite kasutamine tagab, et säilitate ettenähtud keskkonnale vastava EMC klassifikatsiooni. Soovi korral saate tellida kaabli firmalt SonicWall veebiaadressilt <https://www.sonicwall.com>.

SonicWall kinnitab, et käesolev toode vastab **B-klassi** seadme nõuetele. Järgnevas jaotises on ära toodud riigipõhine EMC/EMI teave ning toote ohutusala teave.

Sähkömagneettisella yhteensopivuudella

Sähkömagneettinen häiriö (EMI) tarkoittaa signaalia tai säteilyä, joka siirtyy vapaassa tilassa tai voima- tai signaalilinjojen välityksellä ja vaarantaa radionavigoinnin tai muun turvapalvelun toimintaa tai heikentää tai estää luvanvaraista radioviestintäpalvelua tai toistuvasti keskeyttää sen. Radioviestintäpalveluja ovat muun muassa AM/FM-radiolähetykset, televisiolähetykset, matkapuhelinpalvelut, tutka, lennonjohto, hakulaitteet ja Personal Communication Services (PCS) -palvelut. Nämä luvanvaraiset radiopalvelut ja radiopalvelut, joihin

lupaa ei tarvita, kuten WLAN tai Bluetooth, ja lisäksi tahattomat säteilylähteet, kuten digitaalilaitteet, esimerkiksi tietokonejärjestelmät, kuormittavat sähkömagneettista ympäristöä.

Sähkömagneettisella yhteensopivuudella tarkoitetaan sähkölaitteiden kykyä toimia yhdessä oikein sähkömagneettisessa ympäristössä. Tämä tietokone on suunniteltu siten, että sen aiheuttama sähkömagneettinen häiriö on säädösten sallimissa rajoissa, mutta häiriöitä voi silti esiintyä tietyissä käyttökohteissa.

SonicWall-tuotteet on suunniteltu, testattu ja luokiteltu niille tarkoitettuja sähkömagneettisia ympäristöjä varten. Nämä sähkömagneettiset ympäristöluokitukset viittaavat yleensä seuraaviin yhdenmukaistettuihin määräyksiin:

- **Luokan B** tuotteet on tarkoitettu käytettäväksi asuin-/kotiympäristössä, mutta niitä voidaan käyttää myös muissa ympäristöissä.

① **NOTE:** Huomautus: Asuin-/kotiympäristössä radio- ja televisiovastaanotinten voidaan olettaa olevan enintään 10 metrin päässä tuotteen käyttöpaikasta.

- **Luokan A** tuotteet on tarkoitettu käytettäväksi muussa kuin asuin-/kotiympäristössä. Luokan A laitteita voidaan käyttää myös asuin-/kotiympäristössä. Tämä saattaa kuitenkin aiheuttaa häiriöitä, mikä edellyttää käyttäjän korjaustoimia.

Sammuttamalla laitteen ja käynnistämällä sen uudelleen voit tarkistaa, aiheuttaako laite häiriöitä radioviestintäpalveluissa. Voit koettaa poistaa mahdollisia häiriöitä seuraavilla toimilla:

- Suuntaa vastaanottimen antenni uudelleen.
- Muuta tietokoneen paikkaa suhteessa vastaanottimeen.
- Siirrä tietokone kauemmaksi vastaanottimesta.
- Kytke tietokone toiseen pistorasiaan niin, että tietokone ja vastaanotin eivät ole samassa virtapiirissä.

Lisää ehdotuksia saat tarvittaessa ottamalla yhteyden SonicWall in teknisen tuen edustajaan, kokeneeseen radio-/televisioteknikkoon tai sähkömagneettiseen yhteensopivuuteen perehtyneeseen teknikkoon.

Tietotekniikkalaitteilla, mukaan luettuina oheislaitteet, laajennuskortit, tulostimet, tulo-/lähtölaitteet (I/O), monitorit ja niin edelleen, jotka on sisäänrakennettu tai yhdistetty tietokoneeseen, tulee olla sama sähkömagneettinen ympäristöluokitus kuin tietokoneella.

Ilmoitus suojatuista signaalikaapeleista: Käytä vain suojattuja kaapeleita laitteiden yhdistämiseen mihin tahansa SonicWall-laitteeseen radioviestintäpalveluiden häiriömahdollisuuden pienentämiseksi. Käytä suojattuja signaalikaapeleita sen varmistamiseksi, että asianmukainen sähkömagneettinen yhteensopivuusluokitus säilyy

tarkoitettussa ympäristössä. Halutessasi voit tilata kaapelin SonicWall-yhtiöltä Internetin välityksellä osoitteesta www.sonicwall.com.

SonicWall on määrittänyt, että tämä tuote on **luokan B** kanssa harmonisoitu tuote. Seuraavissa kohdissa on maakohtaisia sähkömagneettista yhteensopivuutta koskevia ja EMI- tai tuoteturvallisuustietoja.

Compatibilité électromagnétique

Une interférence électromagnétique (EMI, Electromagnetic Interference) est un signal ou une émission, véhiculé(e) dans l'espace libre ou par des conducteurs électriques ou de signaux, qui peut mettre en danger le fonctionnement d'une radionavigation ou autre service de sécurité ou sérieusement dégrader, obstruer ou interrompre à maintes reprises un service de communications radio autorisé. Les services de communications radio incluent, de manière non limitative, les services de radiodiffusion commerciale AM/FM, la télévision, les services de téléphonie cellulaire, la radiodétection, le contrôle de la circulation aérienne, les récepteurs de radio messagerie et les systèmes GSM. Ces services radio autorisés et les services radio non-autorisés tels que WLAN ou Bluetooth, ainsi que les éléments rayonnants parasites involontaires tels que les appareils numériques, notamment les systèmes informatiques, contribuent à l'environnement électromagnétique.

La compatibilité électromagnétique est la capacité des éléments d'un équipement électronique à interagir correctement dans l'environnement électronique. Bien que ce système informatique ait été conçu pour être conforme aux limites de l'instance réglementaire des EMI, il n'y a aucune garantie concernant les interférences pouvant survenir dans une installation particulière.

Les produits SonicWall sont conçus, testés et classés pour l'environnement électromagnétique dans lequel il est prévu de les utiliser. Ces classifications font généralement référence aux définitions harmonisées suivantes :

- Les produits de **classe B** sont destinés à un fonctionnement dans un environnement résidentiel/familial mais peuvent également être utilisés dans des environnements autres que résidentiel/familial.

① **NOTE:** Remarque: Dans un environnement résidentiel/familial, les postes de réception de transmission TV/radio doivent être utilisés à au moins 10 m de l'endroit où le produit est en fonctionnement.

- Les produits de **classe A** sont destinés à un fonctionnement dans un environnement non résidentiel/familial. Les produits de classe A peuvent également être utilisés dans un environnement résidentiel/familial mais peuvent provoquer des perturbations radioélectriques, auquel cas l'utilisateur peut se voir obligé de prendre les mesures appropriées.

Si l'équipement crée effectivement des interférences avec des services de communications radio (ce qui peut être déterminé en l'éteignant et en l'allumant), l'utilisateur est encouragé à essayer de corriger ce phénomène en prenant l'une ou l'ensemble des mesures suivantes:

- Changer l'orientation de l'antenne de réception.
- Repositionner l'ordinateur en fonction du récepteur.
- Éloigner l'ordinateur du récepteur.
- Brancher l'ordinateur sur une autre prise, pour faire en sorte que l'ordinateur et le récepteur se trouvent sur différents circuits de dérivation.

Si nécessaire, consultez un représentant du support technique de SonicWall ou un technicien expérimenté en radio/télévision ou en compatibilité électromagnétique pour des suggestions supplémentaires.

Les équipements ITE (Information Technology Equipment [Équipements de technologie de l'information]), y compris les périphériques, les cartes d'extension, les imprimantes, les périphériques d'entrée/sortie (E/S), les moniteurs, etc., qui sont intégrés ou connectés au système devraient correspondre à la classification de l'environnement électromagnétique du système informatique.

Avis concernant les câbles de transmission blindés: Afin de réduire la possibilité de perturbation des services de radiocommunication, n'utilisez que des câbles blindés pour connecter les périphériques aux dispositifs SonicWall. L'utilisation de câbles blindés permet de rester dans la classification EMC pour l'environnement prévu. Si vous le souhaitez, vous pouvez commander un câble sur Internet, à l'adresse suivante: <https://www.sonicwall.com>.

SonicWall a déterminé que ce produit est un produit harmonisé de **classe B**. Les sections suivantes proposent, de façon spécifique aux pays ou zones géographiques, des informations EMC/EMI ou relatives à la sécurité des produits.

Elektromagnetischer Verträglichkeit

Elektromagnetische Störung (EMI) ist ein Signal oder eine Emission, die in den freien Raum abgegeben bzw. entlang von Strom- oder Signalleitungen geleitet wird und den Betrieb der Funknavigation oder anderer Sicherheitsgeräte beeinträchtigt bzw. deren Qualität extrem verschlechtert, behindert oder wiederholt lizenzierte Funkdienste unterbricht. Funkdienste umfassen kommerziellen MW-/UKW-Radio- und Fernsehgrundfunk, Funktelefonie, Radar, Flugsicherung, Anrufmelder und Dienste für personenbezogene Kommunikation (PCS [Personal Communication Services]), sind jedoch nicht nur auf diese beschränkt. Diese Funkdienste mit und ohne Lizenz, wie z. B. WLAN oder Bluetooth, wie auch mit unbeabsichtigten Ausstrahlungsgeräten, wie digitale Geräte, einschließlich Computersystemen, tragen zum elektromagnetischen Umfeld bei.

Unter elektromagnetischer Verträglichkeit (EMV) versteht man die Fähigkeit elektronischer Bauteile, in einer elektronischen Umgebung störungsfrei zu funktionieren. Dieses Computersystem wurde zwar so konzipiert, dass die seitens der Behörden festgelegten Grenzwerte für EMI nicht überschritten werden; dennoch kann nicht ausgeschlossen werden, dass bei bestimmten Installationen nicht doch Störungen auftreten.

Computersysteme von SonicWall werden für die elektromagnetische Umgebung, in der sie eingesetzt werden sollen, konzipiert, getestet und klassifiziert. Diese elektromagnetischen Umgebungs-Klassifikationen beziehen sich im Allgemeinen auf die nachstehenden abgestimmten Definitionen:

- Produkte der **Klasse B** sind für den Gebrauch in Wohngebieten vorgesehen, können aber auch in anderen Umgebungen außerhalb von Wohngebieten eingesetzt werden.

① **NOTE:** Anmerkung: Wohngebiete stellen eine Umgebung dar, in der Radioantennen und Fernsehempfänger innerhalb einer Entfernung von 10 m des Nutzungsgeräts eingerichtet sind.

- Produkte der **Klasse A** sind für den Gebrauch in Gebieten ohne Wohnbereiche vorgesehen. Produkte der Klasse A können auch in Wohngebieten eingesetzt werden, können aber u. U. Störungen verursachen und erfordern, dass der Benutzer entsprechende Maßnahmen trifft, um diese zu beseitigen.

Wenn dieses Gerät die Funkkommunikation durch Interferenzen beeinträchtigt, was durch Ein- und Ausschalten des Gerätes festgestellt werden kann, wird der Benutzer aufgefordert, die Störungen durch eine oder mehrere der folgenden Maßnahmen zu beheben:

- Die Empfangsantenne neu ausrichten.
- Die Position des Computers gegenüber dem Empfänger ändern.
- Den Abstand zwischen Computer und Empfänger vergrößern.
- Den Computer an eine andere Steckdose anschließen, sodass Computer und Empfänger über verschiedene Stromkreise versorgt werden.

Falls erforderlich, ist ein Mitarbeiter der technischen Supports von SonicWall oder ein erfahrener Radio-, Fernseh- oder EMV-Techniker für zusätzliche Empfehlungen zu Rate zu ziehen.

Geräte der Datenverarbeitung (ITE, Information Technology Equipment), dazu zählen u. A. Peripheriegeräte, Erweiterungskarten, Drucker, Ein- und Ausgabegeräte, Monitore usw., die in das System integriert oder angeschlossen sind, sollten der EMI-Klassifizierung des Computersystems entsprechen.

Hinweis zu abgeschirmten Signalkabeln: Verwenden Sie für den Anschluss von Peripheriegeräten an SonicWall-Geräte ausschließlich abgeschirmte Kabel, um Störungen von Funkdiensten so weit wie möglich zu reduzieren. Durch abgeschirmte Kabel wird sichergestellt, dass die entsprechende EMV-Klassifikation für die vorgesehene Einsatzumgebung eingehalten wird. Sie können dieses Kabel von SonicWall im Internet unter <https://www.sonicwall.com> bestellen.

SonicWall hat befunden, dass es sich bei diesem Produkt um ein harmonisiertes Produkt der **Klasse B** handelt. Die folgenden Abschnitte bieten Länder-spezifische Informationen über EMC/EMI oder Produktsicherheit.

Ηλεκτρομαγνητική συμβατότητα

Ηλεκτρομαγνητική παρεμβολή (EMI) είναι κάθε σήμα ή εκπομπή που ακτινοβολείται στον χώρο ή άγεται σε καλώδια τροφοδοσίας ή σημάτων και θέτει σε κίνδυνο τη λειτουργία συστημάτων ασύρματης πλοήγησης ή άλλες υπηρεσίες ασφαλείας ή υποβαθμίζει, παρεμποδίζει ή διακόπτει επανειλημμένα μια αδειοδοτημένη υπηρεσία ασύρματων επικοινωνιών. Στις υπηρεσίες ασύρματων επικοινωνιών περιλαμβάνονται, ενδεικτικά, οι εμπορικές εκπομπές AM/FM, η τηλεόραση, η κινητή τηλεφωνία, τα ραντάρ, ο έλεγχος εναέριας κυκλοφορίας, η τηλεϊεδοποίηση και οι Υπηρεσίες Προσωπικής Επικοινωνίας (Personal Communication Services ή PCS). Αυτές οι αδειοδοτημένες και οι μη αδειοδοτημένες υπηρεσίες ασύρματων επικοινωνιών, όπως το WLAN ή το Bluetooth, μαζί με ακούσιους πομπους όπως ψηφιακές συσκευές, συμπεριλαμβανομένων συστημάτων υπολογιστών, συμβάλλουν στο ηλεκτρομαγνητικό περιβάλλον.

Η ηλεκτρομαγνητική συμβατότητα (ΗΜΣ) είναι η δυνατότητα στοιχείων του ηλεκτρονικού εξοπλισμού να λειτουργούν ομαλά μαζί, μέσα σε ηλεκτρονικό περιβάλλον. Παρόλο που το συγκεκριμένο σύστημα υπολογιστή έχει σχεδιαστεί και έχει προσδιοριστεί ως συμβατό με τα όρια που καθορίζονται από το φορέα κανονισμών για ηλεκτρομαγνητικές παρεμβολές, δεν παρέχεται κανενός είδους εγγύηση ότι δεν θα υπάρξει παρεμβολή σε μία συγκεκριμένη εγκατάσταση.

Τα προϊόντα της SonicWall είναι σχεδιασμένα, ελεγμένα και κατηγοριοποιημένα σύμφωνα με το συγκεκριμένο ηλεκτρομαγνητικό περιβάλλον χρήσης τους. Αυτές οι κατηγορίες ηλεκτρομαγνητικού περιβάλλοντος αναφέρονται γενικά στους ακόλουθους εναρμονισμένους ορισμούς:

- Τα προϊόντα **κατηγορίας B** προορίζονται για χρήση σε οικιακά περιβάλλοντα, αλλά μπορούν επίσης να χρησιμοποιηθούν σε μη οικιακά περιβάλλοντα.

① **NOTE:** Σημείωση: Οικιακό περιβάλλον είναι ένα περιβάλλον όπου η χρήση πομπών ραδιοσυχνοτήτων και τηλεοπτικών δεκτών μπορεί να είναι αναμενόμενη σε απόσταση 10 m από το σημείο που χρησιμοποιείται το προϊόν.

- Τα προϊόντα **κατηγορίας A** προορίζονται για χρήση σε μη οικιακά περιβάλλοντα. Τα προϊόντα κατηγορίας A μπορούν επίσης να χρησιμοποιηθούν σε οικιακά περιβάλλοντα, αλλά ενδέχεται να προκαλέσουν παρεμβολές και να απαιτηθεί η λήψη διορθωτικών μέτρων από το χρήστη.

Εάν αυτός ο εξοπλισμός προκαλέσει παρεμβολή σε υπηρεσίες ραδιοεπικοινωνιών, η οποία παρεμβολή διαπιστώνεται ενεργοποιώντας και απενεργοποιώντας τον εξοπλισμό, επιχειρήστε να διορθώσετε την παρεμβολή ενεργώντας ως εξής:

- Επαναπροσανατολισμός της κεραίας λήψης.
- Αλλαγή θέσης του υπολογιστή σε σχέση με το δέκτη.
- Μετακίνηση του υπολογιστή μακριά από το δέκτη.
- Σύνδεση του υπολογιστή σε διαφορετική πρίζα έτσι ώστε ο υπολογιστής και ο δέκτης να βρίσκονται σε διαφορετικά κυκλώματα.

Εάν είναι απαραίτητο, επικοινωνήστε με έναν τεχνικό υποστήριξης της SonicWall ή κάποιο εξειδικευμένο τεχνικό ραδιοφώνων/τηλεοράσεων ή ειδικό ΗΜΣ για περαιτέρω υποδείξεις.

Ο εξοπλισμός τεχνολογίας πληροφοριών (ΙΤΕ) που περιλαμβάνει περιφερειακά όπως κάρτες επέκτασης, εκτυπωτές, συσκευές εισόδου/εξόδου (I/O), οθόνες κ.λπ., και οι οποίες είναι ενσωματωμένες μέσα στο σύστημα ή συνδεδεμένες σε αυτόν, πρέπει να συμμορφώνεται με την κατηγορία ηλεκτρομαγνητικού περιβάλλοντος του υπολογιστή.

Σήμανση σχετικά με θωρακισμένα καλώδια σήματος: Χρησιμοποιείτε μόνο θωρακισμένα καλώδια για να συνδέσετε περιφερειακά σε οποιαδήποτε συσκευή SonicWall, προκειμένου να μειωθεί η πιθανότητα παρεμβολών με υπηρεσίες ραδιοφωνικών επικοινωνιών. Η χρήση θωρακισμένων καλωδίων εξασφαλίζει ότι διατηρείται η κατάλληλη κατηγορία ΗΜΣ για το περιβάλλον χρήσης. Αν προτιμάτε, μπορείτε να παραγγείλετε ένα καλώδιο από τη SonicWall στο Web στη διεύθυνση <https://www.sonicwall.com>.

Η SonicWall έχει καθορίσει ότι το προϊόν αυτό είναι ένα εναρμονισμένο προϊόν **κατηγορίας B**. Οι παρακάτω ενότητες παρέχουν συγκεκριμένες για κάθε χώρα πληροφορίες ηλεκτρομαγνητικής συμβατότητας/ηλεκτρομαγνητικής παρεμβολής ή πληροφορίες ασφάλειας προϊόντος.

Elektromágneses kompatibilitás

Elektromágneses interferencián (EMI) azt a szabad térben kibocsátott vagy sugárzott, illetve a táp- vagy jeltovábbító vezetéseken továbbított jelet értjük, amely veszélyezteti a rádiónavigációs rendszerek vagy egyéb biztonsági szolgáltatások működését, illetve jelentős mértékben rontja, zavarja vagy időről időre megszakítja az engedélyezett rádió-távközlési szolgáltatást. A rádió-távközlési szolgáltatások közé tartozik (de nem kizárólagosan) a közép- és ultrarövid hullámú kereskedelmi rádióadás, a televízió, a mobiltelefon-szolgáltatások, a radar, a légiforgalom-irányítás, a személyhívó, valamint a személyi kommunikációs szolgáltatások (PCS). Ezek az engedélyezett és engedély nélküli rádiószolgáltatások, mint amilyen a WLAN vagy a Bluetooth, vagy a digitális eszközök – beleértve a számítógépes rendszereket – nem szándékos rádióhullám-kibocsátásai mind részei az elektromágneses környezetnek.

Az **elektromágneses kompatibilitás** az elektronikus berendezések azon képessége, mely megfelelő együttműködést biztosít számukra az elektronikus környezetben. A számítógépes rendszer kialakításánál és meghatározásánál figyelembe vettük az elektromágneses interferenciára megadott hatósági határértékeket, azonban arra nézve nincs garancia, hogy a mindenkorli telepítés helyén nem léphet fel ilyen interferencia.

A SonicWall számítógépek tervezése, tesztelése és osztályba sorolása a kívánt elektromágneses környezetnek megfelelően történik. Az elektromágneses környezet szerinti besorolás rendszerint az alábbi, harmonizált definíciókra épül:

- **A „B” osztályú** termékek lakókörnyezeti/otthoni használatra készültek, de más helyeken is használhatók.

① **NOTE:** Megjegyzés: A lakókörnyezeti/otthoni környezet egy olyan környezet, ahol a rádió- és televízióadást vevő készülék a termék használati helyétől 10 m-es távolságon belül helyezkedik el.

- **Az „A” osztályú** termékek lakókörnyezeten kívüli/ nem otthoni használatra készültek. Az „A” osztályú termékek lakókörnyezeti/otthoni használatra is alkalmazhatók, de interferenciát okozhatnak, és megfelelő korrekciós intézkedéseket igényel a felhasználótól.

Ha a készülék zavart okoz a rádió-távközlési szolgáltatásokban (ez megállapítható a készülék ki- és bekapcsolásával), az alábbi intézkedésekkel próbálhatja kiküszöbölni az interferenciát:

- a vevőantenna átirányításával;
- a számítógép áthelyezésével a vevőkészülékhez képest;
- a számítógép távolabbra helyezésével a vevőkészüléktől;
- a számítógép más dugaszaljatba kapcsolásával úgy, hogy azt a vevőkészüléktől eltérő áramköri ág táplálja.

Szükség esetén forduljon további tanácsért a SonicWall műszaki támogatásának képviselőjéhez, vagy egy tapasztalt rádió-, televízió- vagy EMC szerelőhöz.

A rendszerbe integrált vagy ahhoz csatlakoztatott információ-technológiai berendezéseknek (ITE), ide értve a külső eszközöket, bővítőkártyákat, nyomtatókat, adatbemeneti és -kimeneti (I/O) készülékeket, monitorokat stb. is, meg kell felelniük a számítógépes rendszer elektromágneses környezeti besorolásának.

Árnyékolt jelkábelekre vonatkozó előírás: SonicWall eszközhöz kizárólag árnyékolt kábellel csatlakoztasson periferikus eszközöket, hogy csökkentse a rádió-távközlési szolgáltatásokkal fellépő interferencia előfordulásának esélyét. Árnyékolt kábelek használatával biztosíthatja a kívánt környezetnek megfelelő elektromágneses összeférhetőségi besorolást. A kábel igény szerint megrendelhető a SonicWall honlapján is: <https://www.sonicwall.com>.

A SonicWall kijelenti, hogy a termék megfelel a **„B” osztály** követelményeinek. Az alábbi fejezetek országfüggő elektromágneses kompatibilitási vagy a termékre vonatkozó biztonsági információkat tartalmaznak.

Compatibilità elettromagnetica

L'interferenza elettromagnetica (IEM) è un qualsiasi segnale o emissione irradiata nello spazio o trasmessa tramite conduttori di alimentazione o di segnale, che compromette il funzionamento della radionavigazione o di altri servizi di sicurezza, o che disturba, ostacola gravemente o interrompe ripetutamente un servizio di

radiocomunicazione abilitato. I servizi di radiocomunicazione comprendono, ma non sono limitati a trasmissioni commerciali AM/FM, televisione, servizi cellulari, radar, controllo del traffico aereo, cercapersone e servizi personali di comunicazione (PCS, Personal Communication Services). I presenti servizi radio concessi in licenza e i servizi radio non concessi in licenza, come WLAN o Bluetooth, insieme a trasmettitori non intenzionali, come i dispositivi digitali, inclusi i sistemi informatici, contribuiscono all'ambiente elettromagnetico.

La compatibilità elettromagnetica (CEM) è la capacità degli elementi dell'apparecchiatura elettronica di operare contemporaneamente in modo corretto nell'ambiente elettronico. Nonostante questo sistema informatico sia stato progettato e determinato essere conforme ai limiti di IEM dell'ente normativo, non vi è alcuna garanzia che non si verifichino interferenze in una particolare installazione.

I prodotti SonicWall sono progettati, esaminati e classificati per l'ambiente elettromagnetico desiderato. Le classificazioni dell'ambiente elettromagnetico fanno riferimento in genere alle seguenti definizioni armonizzate:

- I prodotti di **Classe B** sono destinati all'utilizzo in ambienti domestici/residenziali, ma possono essere utilizzati anche in ambienti non domestici/non residenziali.

① **NOTE:** N.B. L'ambiente domestico/residenziale è un ambiente in cui si prevede l'utilizzo della trasmissione di ricevitori radio e televisivi entro una distanza di 10 m dal punto in cui viene utilizzato il prodotto.

- I prodotti di **Classe A** sono destinati all'utilizzo in ambienti non domestici/non residenziali. I prodotti di Classe A possono essere utilizzati anche in ambienti domestici/residenziali, ma possono provocare interferenza e richiedono all'utente di adottare misure correttive adeguate.

Qualora la presente apparecchiatura provocasse interferenze ai servizi di radiocomunicazione, che possono essere determinate accendendo e spegnendo l'apparecchiatura, si consiglia di correggere l'interferenza mediante una o più delle seguenti misure:

- Cambiare l'orientamento dell'antenna di ricezione.
- Cambiare la posizione del computer rispetto al ricevitore.
- Allontanare il computer dal ricevitore.
- Collegare il computer ad una presa diversa, in modo che il computer e il ricevitore si trovino su diversi circuiti derivati.

Se necessario, consultare un rappresentante del supporto tecnico SonicWall o un tecnico esperto in radio/televisione o CEM per ulteriori suggerimenti.

L'apparecchiatura informatica (ITE), incluse periferiche, schede di espansione, stampanti, dispositivi di Input/Output (I/O), monitor e così via, che sono integrati o collegati al sistema devono appartenere alla stessa classificazione dell'ambiente elettromagnetico del sistema informatico.

Avviso sui cavi di trasmissione schermati: Utilizzare solo cavi schermati per collegare periferiche a ciascun dispositivo SonicWall per ridurre la possibilità di interferenza con i servizi di radiocomunicazione. L'utilizzo di cavi schermati garantisce che venga mantenuta la classificazione CEM appropriata per l'ambiente desiderato. Se lo si preferisce, è possibile ordinare un cavo da SonicWall nel World Wide Web all'indirizzo <https://www.sonicwall.com>.

SonicWall ha determinato che questo prodotto è in armonia con la **Classe B**. Le seguenti sezioni forniscono informazioni su CEM/IEM specifiche per il Paese o sulla sicurezza del prodotto.

電磁的両立性

空間に放射されたり、電源コードやケーブルを経由して伝導されたりするあらゆる電波や放射物を EMI(電磁波障害)といます。この電波や放射物が、無線操縦や他の安全業務の機能を危険にさらしたり、機能低下を招いたり、妨害したり、または無線通信業務を繰り返し中断させたりすることがあります。無線通信サービスには、AM/FM の商業放送、テレビ、および携帯電話の各種サービス、レーダー、航空交通管制、ポケットベル、PCS(Personal Communication Services)などがありますが、これらに限定されません。これらの無線通信業務、および電波放射を目的としないデジタルデバイスや、コンピュータを含む WLAN または Bluetooth のような業務外無線通信は、電磁環境に影響を与えます。

EMC(電磁的両立性)とは、多数の電子機器が同一の環境で共に正常に動作する能力のことです。本コンピュータシステムは、認可機関の EMI に関する制限に準拠する設計がなされており、適合していますが、特定の設置条件で干渉が発生しないという保証はありません。

SonicWall 製品は、下記の使用環境目的に合わせた設計、試験、類別がなされています。これらの電磁環境の類別は、一般に以下の統一定義を表しています。

- クラス B 製品は家庭住宅環境用ですが、商工業環境用に使われることもあります。

① **NOTE:** メモ: 家庭住宅環境とは、ブロードキャストラジオ(無線通信)およびテレビ受信機を、この製品から半径 10 m 以内でご使用になる環境のことです。

- クラス A 製品は商工業環境用です。クラス A 製品を家庭住宅環境でご使用になれる場合もありますが、妨害が生じ、ユーザーが適切な措置を講じなければならないことがあります。

この装置が無線通信サービスに対して干渉するかどうかはその装置の電源をオンまたはオフにすることによって判定できますので、以下の方法を 1 つまたはそれ以上実施して問題を解決してください。

- 受信アンテナの方向を変えてください。
- 受信機に対してコンピュータを再配置してください。
- 受信機からコンピュータを遠ざけてください。
- コンピュータを別のコンセントにつないで、コンピュータと受信機を別々の分岐回路上に置いてください。

必要に応じて、詳細について SonicWall テクニカルサポート担当者または経験豊富なラジオおよびテレビの技術者、または EMC の技術者にご相談ください。

ITE(情報技術機器: Information Technology Equipment)は、周辺機器、拡張カード、プリンタ、入出力(I/O)装置、モニタなどを含み、コンピュータシステムに統合または接続されるもので、コンピュータシステムの電磁環境の分類に適合しなければなりません。

シールド付き信号ケーブルに関する注意: 周辺機器の SonicWall 製装置への接続にはシールド付きケーブルのみを使用して、無線通信サービスとの干渉の可能性を減らしてください。シールド付きケーブルの使用により、目的とする環境に適した EMC 分類基準を満たします。また、SonicWall のウェブサイト <https://www.sonicwall.com> でケーブルをご注文いただくこともできます。

SonicWall は、この製品がクラス B の協調製品であることを明確にしています。以下の項には、各国固有の EMC/EMI または製品の安全性に関する情報が記載されています。

전자기 호환성

전자기 간섭 (EMI) 은 빈 공간에서 방사되거나 전원 또는 신호 리드를 따라 유도되는 신호나 방사 물질로서, 무선 항행의 기능이나 기타 안전 서비스에 방해가 되며 허가를 받은 무선 통신 서비스의 품질을 심각하게 저하, 차단 또는 반복적으로 간섭합니다. 무선 통신 서비스에는 상업용 AM/FM 라디오 방송, TV, 휴대 통신 서비스, 레이더, 항공 관제소, 호출기 및 PCS (Personal Communication Service) 등을 비롯한 기타 서비스가 포함됩니다. 이러한 인가된 무선 서비스 및 컴퓨터 시스템을 포함하는 디지털 장치와 같은 비의도성 복사장치와 함께 WLAN 또는 Bluetooth 와 같은 인가되지 않은 무선 서비스는 전자기 환경 문제의 원인입니다.

전자기 호환성 (EMC Electro Magnetic Compatibility) 은 전자기 환경에서 전자 장치가 올바르게 작동할 수 있도록 하는 기능입니다. 본 시스템은 규정 기관의 EMI 관련 규제사항에 따라 설계되었으며 이에 부합한다는 판정을 받았으나, 경우에 따라 간섭이 발생할 수 있습니다.

SonicWall 제품은 전자기 환경에 적합하도록 설계되고 검사를 거쳐 등급을 취득한 제품입니다. 일반적으로 이러한 전자기 환경 등급은 다음과 같은 국제 표준 준수 내용을 나타냅니다:

- B등급 제품은 주거/국내 환경에서 사용하도록 설계되었지만 비주거/국외 환경에서도 사용할 수 있습니다.

① **NOTE:** 주: 주거/국내 환경은 라디오 및 TV 방송 수신기가 제품이 사용되는 곳으로부터 10 m 이내인 환경을 말합니다.

- A등급 제품은 비주거/국외 환경에서 사용하도록 설계되었습니다. A 등급 제품은 주거/국내 환경에서 사용할 수도 있지만 전파 간섭을 일으킬 수 있으며 사용자의 적절한 조치를 필요로 합니다.

본 장치가 무선 통신 서비스 전파 장애를 일으키는 경우, 장치를 껐다가 다시 켜 본 다음, 다음과 같은 방법으로 장애를 해결하십시오.

- 수신 안테나의 방향을 바꾸십시오.
- 수신기에 영향을 주는 컴퓨터의 위치를 변경하십시오.
- 수신기와 컴퓨터를 멀리 떨어뜨려 놓으십시오.
- 수신기와 컴퓨터가 회로를 공유하지 않도록 컴퓨터의 전원 콘센트를 다른 곳에 꽂으십시오.

필요한 경우 SonicWall 기술 지원 담당 직원이나 숙련된 라디오/TV 또는 EMC 기술자에게 문의하여 도움을 받으십시오.

시스템에 장착하는 주변장치, 확장 카드, 프린터, I/O 장치, 모니터 등과 같은 ITE (Information Technology Equipment) 는 시스템의 전자기 환경 등급과 일치하는 제품을 사용해야 합니다.

피복된 신호 케이블에 대한 주의사항: 무선 통신 서비스와의 장애를 줄이려면, SonicWall 시스템에 주변장치를 연결할 때 피복된 케이블 만을 사용하십시오. 피복된 케이블을 사용하면 해당 전자기 환경에 적합한 EMC 등급을 유지할 수 있습니다.

원하면 SonicWall 의 월드 와이드 웹 (<https://www.sonicwall.com>) 에서 케이블을 주문할 수 있습니다.

SonicWall 은 이 제품이 국제 표준 준수 B등급 제품임을 확인합니다. 다음 각 항목에서는 국가별 EMC/EMI 또는 제품 안전 정보에 대해 설명합니다.

Elektromagnētiskā saderība

Elektromagnētiskie traucējumi (EMT) ir jebkurš signāls vai izstarojums, kas tiek izstarots brīvā telpā vai izplatās pa elektrobarošanas vai signālu vadiem un apdraud radio navigācijas vai citu drošības ierīču darbību vai arī nopietni pasliktina, traucē vai atkārtoti pārtrauc licencētos radiosakarus. Ar radiosakariem jāsaprot, bet tie neierobežojas ar šādiem sakaru veidiem: AM/FM komerciālā apraide, televīzija, mobilie sakari, radars, aviodyspečeru dienests, peidžeri, un personālie sakari (PCS). Šie licencētie radiosakari, kā arī nelicencētie radiosakari, piemēram, lokālie bezvadu datortīkli un Bluetooth, kopā ar citām nespecifiskām radioizstarojošām ierīcēm, kādas ir datoru sistēmas, veido elektromagnētisko vidi.

Elektromagnētiskā saderība (EMS) ir elektroniskās aparatūras spēja bez traucējumiem funkcionēt kopējā elektromagnētiskajā vidē. Lai gan šī datorsistēma ir projektēta un atzīta par atbilstošu reglamentējošās iestādes noteiktajām elektromagnētisko traucējumu robežvērtībām, nav garantijas, ka konkrētajā uzstādīšanas vietā nebūs elektromagnētisko traucējumu.

SonicWall izstrādājumi ir projektēti, pārbaudīti, klasificēti un atzīti par piemērotiem darbam tiem paredzētajā elektromagnētiskajā vidē. Šī elektromagnētiskās vides klasifikācija vispārējā gadījumā var tikt attiecināta uz šīm saskaņotajām definīcijām:

- **B klases** izstrādājumi ir paredzēti lietošanai sadzīves/mājas apstākļos, taču tos var lietot arī apstākļos, kas nav sadzīves/mājas apstākļi.

① **NOTE:** Piezīme. Sadzīves/mājas apstākļi ir tādi apstākļi, kuros ir paredzams, ka sadzīves radio vai televīzijas uztvērēji tiks lietoti līdz 10 m attālumā no šā izstrādājuma.

- **A klases** izstrādājumi ir paredzēti lietošanai apstākļos, kas nav sadzīves/mājas apstākļi. A klases izstrādājumus var lietot arī sadzīves/mājas apstākļos, taču šādā gadījumā tie var radīt elektromagnētiskos traucējumus, kā rezultātā lietotājam var būt nepieciešams veikt atbilstošus korigējošus pasākumus.

Ja šī aparatūra rada elektromagnētiskos traucējumus radiosakariem, ko var noteikt, ieslēdzot un izslēdzot aparatūru, traucējumu mazināšanai rīkojieties šādi:

- Mainiet uztverošās antenas orientāciju.
- Pārvietojiet datoru attiecībā pret uztvērēju.
- Pārvietojiet datoru tālāk no uztvērēja.
- Pievienojiet datoru citai elektrotīkla kontaktligzdai tā, lai dators un uztvērējs darbotos no dažādām elektrotīkla atzarojumu līnijām.

Vajadzības gadījumā konsultējieties ar SonicWall tehniskā atbalsta dienesta pārstāvi vai ar pieredzējušu radio/televīzijas vai EMS speciālistu.

Informācijas apstrādes aparatūrai (IAA), tai skaitā perifērijas ierīcēm, paplašinājuma kartēm, printeriem, ievada/izvada (I/O) ierīcēm, monitoriem u.c., kas ir iebūvētas sistēmā vai pievienotas tai, jāatbilst elektromagnētiskajai videi, kas ir noteikta šai datoru sistēmai.

Piezīme par ekranētajiem signālu kabeliem. Lai samazinātu elektromagnētisko traucējumu ietekmi uz radiosakariem, perifērijas ierīču pievienošanai jebkurai SonicWall iekārtai izmantojiet vienīgi ekranētus kabelus. Ekranētu kabeļu izmantošana nodrošina aparatūras atbilstību noteiktai EMS klasifikācijai attiecīgajā

elektromagnētiskajā vidē. Ja vēlaties, varat pasūtīt firmas SonicWall kabeli tīmekļa vietnē <https://www.sonicwall.com>.

SonicWall nosaka, ka šis produkts ir **B klases** harmonizētais produkts. Nākamajās sadaļās sniegta informācija par EMC/EMI vai produkta drošību, kas attiecas uz konkrētām valstīm.

Elektromagnētiskais suderīgums

Elektromagnētiskie trikdžiai (EMI) yra bet koks signalas ar emisija, spinduliuojama į erdvę arba siunčiama maitinimo ar signalų perdavimo laidais, kuri kelia grėsmę radijo žvalgymo ar kitoms saugos tarnyboms arba smarkiai sumenkina, trukdo ar pakartotinai pertraukia licencijuotą radijo komunikacijos tarnybos transliaciją. Radijo komunikacijos tarnybos apima tokias tarnybas kaip komercinės radijo transliacijos AM (FM) bangomis, televiziją, mobiliojo ryšio tarnybas, radarus, oro erdvės kontrolės prietaisus, pranešimų gaviklius ir asmenines ryšio priemones, bet jomis neapsiriboja. Tokios licencijuotos radijo ryšio tarnybos ir nelicencijuotos radijo ryšio tarnybos kaip WLAN arba „Bluetooth“, kartu su tam neskirtais spindulinio ryšio skaitmeniniais prietaisais, įskaitant kompiuterines sistemas, sudaro elektromagnetinę aplinką.

Elektromagnētiskasis suderīgumas (EMC) yra elektroninės įrangos elementų geba kartu tinkamai funkcionuoti elektroninėje aplinkoje. Nors ši kompiuterinė sistema buvo sukurta ir pripažinta kaip atitinkanti EMI kontrolines spinduliavimo ribas, negalima garantuoti, kad konkretaus įdiegimo atveju nekils jokių trikdžių.

„SonicWall“ produktai yra sukurti, patikrinti ir klasifikuoti pagal jų numatytąją veikimo elektromagnetinę aplinką. Tokios elektromagnētinės aplinkos klasifikacijos paprastai atitinka tokias suderintas apibrėžtis.

- **B klasės** produktai yra skirti naudoti namų (gyvenamojoje aplinkoje), tačiau taip pat gali būti naudojami ir ne namų (ne gyvenamojoje) aplinkoje.

① **NOTE:** Pastaba: Namų (gyvenamoji aplinka) yra aplinka, kurioje 10 m atstumu nuo tos vietos, kurioje naudojamas produktas, galima tikėtis radijo ir televizijos imtuvų naudojimo.

- **A klasės** produktai yra skirti naudoti ne namų (ne gyvenamojoje) aplinkoje. A klasės produktai taip pat gali būti naudojami namų (gyvenamosiose) aplinkose, tačiau gali kelti trikdžius ir naudotojui gali reikėti atitinkamų korekcijos priemonių.

Jeigu ši įranga trikdo radijo komunikacijos tarnybų veikimą (nustatoma įjungiant ir išjungiant įrangą), rekomenduojame jums pašalinti trikdžius vienu ar keliais iš tolesnių būdų.

- Pakoreguoti signalus priimančios antenos padėtį.
- Pakeisti kompiuterio vietą imtuvo atžvilgiu.
- Patraukti kompiuterį toliau nuo imtuvo.
- Įkišti kompiuterio maitinimo laido kištuką į kitą elektros lizdą, kad kompiuteris ir imtuvas būtų maitinami iš skirtingų elektros grandinių.

Jeigu reikia, papildomų patarimų kreipkitės į „SonicWall“ techninio palaikymo tarnybos atstovą, patyrusį radijo ir televizijos prietaisų arba EMC mechaniką.

Informacinių technologijų įranga (ITE), įskaitant periferinius įrenginius, išplėtimo plokštes ir korteles, spausdintuvus, įvesties (išvesties) (I / O) prietaisus, monitorius ir pan., kurie yra integruoti į sistemą ar prijungti prie jos, turi atitikti kompiuterinės sistemos elektromagnētinės aplinkos klasifikaciją.

Pastaba apie ekranuotus signalų perdavimo laidus. Norėdami prie bet kokio „SonicWall“ prietaiso prijungti išorinius įrenginius, naudokite tikrai ekranuotus laidus. Tai padės sumažinti radijo komunikacinių tarnybų veiklos trikdžių tikimybę. Naudojami ekranuoti laidai užtikrina, kad jūs išlaikote skirtingai aplinkai numatomą EMC klasifikaciją. Jeigu pageidaujate, galite užsisakyti laidą iš „SonicWall“ internetu, adresu <https://www.sonicwall.com>.

„SonicWall“ nustatė, kad šis gaminys yra **B klasės** suderintas gaminys. Šiuose skyriuose pateikiama šaliai specifinė EMS / EMI arba gaminio saugos informacija.

Kompatibilità elettromanjetika

Interferenza Elettromanjetika (EMI) hi kwalunkwe sinjal jew emissjoni, li tigi rradjata fl-ispazju jew li tkun kondotta matul wajers tad-dawl jew signal leads, li tipperikola l-operat tan-navigazzjoni bir-radju jew ta' tagħmir ieħor tas-sigurtà, jew li tiddegrada serjament, tostakola, jew tinterrompi ripetutament servizz tal-komunikazzjoni ta' radju liċenzjat. Is-servizzi tal-komunikazzjoni tar-radju jinkludu, iżda mhumiex limitati għal, xandiriet kummerċjali AM/FM, televiżjoni, servizzi ċellulari, radar, kontroll tat-traffiku ta' l-ajru, pager, u Servizzi ta' Komunikazzjoni Personali (Personal Communication Services - PCS). Dawn is-servizzi liċenzjati tar-radju, u servizzi mhux liċenzjati tar-radju, bħal WLAN jew Bluetooth, flimkien ma' tagħmir li jixħet ir-radjazzjoni bħal tagħmir diġitali, li jinkludi sistemi tal-kompjuter, jikkontribwixxu għall-ambjent elettromanjetiku.

Kompatibilità Elettromanjetika (Electromagnetic Compatibility - EMC) hi l-kapaċità ta' oġġetti ta' tagħmir elettroniku li jaħdmu flimkien b' mod korrett fl-ambjent elettroniku. Għalkemm din is-sistema tal-kompjuter kienet iddisinjata u ddeterminata li hi konformi mal-limiti ta' l-aġenzija regolatorja għall-EMI, m'hemm l-ebda garanzija li l-interferenza mhix ser isseħħ f'installazzjoni partikolari.

Il-prodotti SonicWall huma ddisinjati, ittestjati, u kklassifikati għall-ambjent elettromanjetiku intenzjonat tagħhom. Dawn il-klassifikazzjonijiet ta' ambjent elettromanjetiku ġeneralment jirreferu għad-definizzjonijiet armonizzati li ġejjin:

- Prodotti ta' **Klassi B** huma intenzjonati għall-użu f'ambjenti residenzjali/domestiċi iżda jistgħu jintużaw ukoll f'ambjenti mhux residenzjali/mhux domestiċi.

① **NOTE:** Nota: L-ambjent residenzjali/domestiku hu ambjent fejn l-użu ta' radju tax-xandir u riċevituri tat-televiżjoni jistgħu jkunu mistennija f' distanza ta' 10 m minn fejn jintuża dan il-prodott.

- Prodotti ta' **Klassi A** huma intenzjonati għall-użu f'ambjenti mhux residenzjali/mhux domestiċi. Il-prodotti ta' Klassi A jistgħu jintużaw ukoll f'ambjenti residenzjali/domestiċi, iżda jistgħu jikkawżaw interferenza u jeħtieġu li l-utent jieħu miżuri korrettivi adegwati.

Jekk dan it-tagħmir jikkawża interferenza mas-servizzi tal-komunikazzjoni tar-radju, li jista' jiġi ddeterminat billi tixgħel u titfi t-tagħmir, inti mhegġeġ biex tipprowa tikkoreġi l-interferenza billi twettaq waħda jew iktar minn dawn il-miżuri li ġejjin:

- Dawwar l-antenna li qed tirċievi s-sinjal.
- Poġġi l-kompjuter f' post ieħor fir-rigward tar-riċevitur.
- Poġġi l-kompjuter 'il bogħod mir-riċevitur.
- Ipplaggja l-kompjuter f' outlet differenti biex b'hekk il-kompjuter u r-riċevitur ikunu fuq branch circuits differenti.

Jekk ikun meħtieġ, kellek lil rappreżentant tas-Support Tekniku ta' SonicWall jew lil tekniku tar-radju/televiżjoni jew ta' I-EMC b'esperjenza, għal suġġerimenti addizzjonali.

Tagħmir tat-Teknoloġija ta' I-Informatika (Information Technology Equipment - ITE), li jinkludi tagħmir periferali, cards ta' I-espansjoni, printers, tagħmir input/output (I/O), monitors, eċċ., li huma integrati fis-sistema jew ikkonnettjati magħha, għandu jkollhom I-istess klassifikazzjoni ta' ambjent elettromanjetiku bħal dak tas-sistema tal-kompjuter.

Avviż dwar Kejbils Protetti tas-Sinjal: Uża biss kejbils protetti biex tikkonnettja tagħmir periferali ma' kwalunkwe tagħmir SonicWall biex tnaqqas il-possibbiltà ta' interferenza ma' servizzi tal-komunikazzjoni tar-

radju. Li tuża kejbils protetti jiżgura li inti żżomm il-klassifikazzjoni EMC li support għall-ambjent intenzjonat. Jekk tippreferi, tista tordna kejbil mingħand SonicWall minn fuq I-Internet fuq <https://www.sonicwall.com>.

SonicWall iddeterminat li dan il-prodott hu prodott armonizzat ta' **Klassi B**. It-taqsimiet li ġejjin jipprovdu taġġir dwar EMC/EMI li huma speċifiċi għal kull pajjiż, jew taġġir dwar is-sigurtà tal-prodott.

Zgodność elektromagnetyczna

Zakłóceniem elektromagnetycznym (EMI) jest dowolny sygnał lub wypromieniowana w przestrzeń albo przesyłana przez przewody zasilania lub sygnałowe emisja, która stanowi zagrożenie dla funkcjonowania nawigacji radiowej bądź innych usług bezpieczeństwa lub poważnie pogarsza, blokuje bądź wielokrotnie przerywa licencjonowaną łączność radiową. Usługi komunikacji radiowej obejmują w szczególności emisję programów telewizyjnych i radiowych, usługi telefonii komórkowej, skanowanie radarowe, kontrolę lotów powietrznych, usługi przywoływania (pagery) oraz usługi komunikacji osobistej PCS (Personal Communication Services). Koncesjonowane usługi radiowe, takie jak stosowane w sieciach WLAN lub technologii Bluetooth, wraz z przypadkowymi nadajnikami, takimi jak urządzenia cyfrowe z systemami komputerowymi włącznie, składają się na środowisko elektromagnetyczne.

Zgodność elektromagnetyczna (EMC) jest to zdolność urządzeń elektronicznych do prawidłowego funkcjonowania w środowisku elektromagnetycznym. Mimo że omawiany system komputerowy został zaprojektowany i wykonany zgodnie z prawnymi normami określającymi maksymalne poziomy zakłóceń elektromagnetycznych, nie istnieje żadna gwarancja, że w jakiejś konkretnej instalacji nie wystąpią interferencje.

Produkty firmy SonicWall są projektowane, testowane i klasyfikowane pod względem charakterystyki docelowego środowiska elektromagnetycznego. Klasyfikacje środowiska elektromagnetycznego zazwyczaj odwołują się do poniższych określeń:

- Produkty **klasy B** są przeznaczone do użytku domowego (w środowisku domowym), ale mogą być również używane w innych miejscach.

① **NOTE:** Uwaga: Przez środowisko domowe należy rozumieć takie środowisko, w którym odbiorniki radiowe i telewizyjne mogą znajdować się w odległości do 10 m od miejsca używania produktu.

- Produkty **klasy A** są przeznaczone do używania w innych środowiskach niż domowe. Produkty klasy A mogą być też używane w środowiskach domowych, przy czym mogą one powodować zakłócenia i wymagać od użytkownika podjęcia właściwych działań zaradczych.

Jeśli okaże się, że sprzęt ten powoduje zakłócenia radiowych usług komunikacyjnych (co można ustalić włączając go i wyłączając), poziom zakłóceń można zmniejszyć na jeden bądź kilka z poniższych sposobów:

- zmiana ustawienia anteny odbiorczej.
- zmiana położenia komputera względem odbiornika.
- odsunięcie komputera od odbiornika.
- podłączenie komputera do innego gniazda elektrycznego, aby komputer i odbiornik znajdowały się w osobnych odgałęzieniach sieci elektrycznej.

W razie konieczności należy skonsultować się z przedstawicielem działu pomocy technicznej firmy SonicWall, doświadczonym technikiem RTV lub technikiem zajmującym się zgodnością elektromagnetyczną, w celu uzyskania dodatkowych wskazówek.

Podłączany lub włączany do systemu sprzęt komputerowy, łącznie z urządzeniami peryferyjnymi, kartami rozszerzeń, drukarkami, urządzeniami wejścia/wyjścia, monitorami itd., powinien odpowiadać systemowi komputerowemu pod względem klasyfikacji dla docelowego środowiska elektromagnetycznego.

Uwaga dotycząca ekranowanych kabli sygnalizacyjnych: W celu zmniejszenia możliwości interferencji z usługami radiokomunikacyjnymi, do podłączania urządzeń peryferyjnych do jakiegokolwiek urządzenia SonicWall należy używać wyłącznie kabli ekranowanych. Korzystanie z kabli ekranowanych gwarantuje, że używane urządzenia rzeczywiście będą działały zgodnie z wymogami docelowego środowiska elektromagnetycznego. W razie potrzeby można go zamówić w firmie SonicWall, na stronie internetowej <https://www.sonicwall.com>.

Firma SonicWall ustaliła, że ten produkt jest produktem zharmonizowanym **klasy B**. W poniższych punktach zostały podane informacje dotyczące standardów bezpieczeństwa, zgodności elektromagnetycznej i zakłóceń elektromagnetycznych (EMC/EMI), obowiązujących w poszczególnych krajach.

Compatibilidade eletromagnética

Interferência eletromagnética (EMI) é qualquer emissão ou sinal, irradiado no espaço livre ou conduzido por cabos de alimentação ou de sinal, que coloca em perigo o funcionamento de um serviço de rádio-navegação ou outro serviço de segurança ou degrada, obstrui ou interrompe seriamente e de forma repetida um serviço licenciado de comunicação de rádio. Os serviços de comunicação de rádio incluem (mas não se limitam a) transmissão comercial AM/FM, televisão, serviços de celular, radar, controle de tráfego aéreo, pager e PCS (Personal Communication Services [serviços de comunicações pessoais]). Estes serviços de rádio licenciados e os serviços de rádio não-licenciados, como WLAN ou Bluetooth, juntamente com os emissores não-intencionais, como dispositivos digitais, incluindo sistemas de computadores, contribuem para o ambiente eletromagnético.

EMC (Eletromagnetic Compatibility, compatibilidade eletromagnética) é a capacidade que alguns equipamentos eletrônicos têm de funcionar adequadamente no ambiente eletromagnético. Mesmo sendo este computador projetado de acordo com os limites e considerado em conformidade com os padrões definidos por órgãos de regulamentação para interferência eletromagnética, não há garantia de que não ocorrerá interferência em uma determinada instalação.

Os produtos da SonicWall são projetados, testados e classificados para o ambiente eletromagnético pretendido. Essas classificações de ambiente eletromagnético geralmente se referem às seguintes definições:

- Os produtos de **Classe B** destinam-se ao uso em ambientes residenciais ou domésticos, mas podem também ser usados em ambientes não-residenciais ou não-domésticos.

① **NOTE:** Nota: O ambiente residencial ou doméstico é um ambiente no qual o uso de rádios e receptores de televisão é esperado dentro de um raio de 10 m a partir do ponto no qual este produto é usado.

- Os produtos de **Classe A** destinam-se ao uso em ambientes não-residenciais ou não-domésticos. Os produtos de Classe A podem ser usados em ambientes residenciais ou domésticos, mas podem provocar interferências, exigindo que o usuário tome as medidas corretivas adequadas.

Se o equipamento causar interferência nos serviços de comunicação de rádio, o que pode ser determinado ligando-se e desligando-se o equipamento, experimente corrigir a interferência através de uma ou mais das seguintes medidas:

- Mude a orientação da antena receptora.
- Mude o computador de lugar em relação ao receptor.
- Afaste o computador do receptor.
- Ligue o computador em outra tomada, de modo que o computador e o receptor fiquem em circuitos elétricos diferentes.

Se necessário, consulte a assistência técnica da SonicWall, um técnico de rádio/televisão experiente ou um técnico em compatibilidade eletromagnética para obter outras sugestões.

Os equipamentos de tecnologia da informação (ITE [Information Technology Equipment]), incluindo periféricos, placas de expansão, impressoras, dispositivos de entrada/saída (E/S), monitores, etc., que são integrados no sistema ou conectados a ele, devem ter a mesma classificação de ambiente eletromagnético do sistema de computador.

Aviso sobre cabos de sinal blindados: Use apenas cabos blindados para conectar periféricos aos dispositivos SonicWall para reduzir a possibilidade de interferência com serviços de comunicação de rádio. O uso de cabos blindados garante a manutenção da classificação apropriada de compatibilidade eletromagnética para o ambiente específico. Se preferir, você pode adquirir o cabo da SonicWall na Internet em <https://www.sonicwall.com>.

A SonicWall determinou que este é um produto harmonizado Classe B. As seções a seguir contêm informações específicas de cada país sobre segurança do produto e sobre compatibilidade eletromagnética e interferência eletromagnética.

Электромагнитной совместимостью

Под электромагнитными помехами (EMI) понимается любой сигнал или излучение, излучаемые в свободное пространство или распространяющиеся по силовым или сигнальным проводам, которые ставят под угрозу работу системы радионавигации или другой службы обеспечения безопасности, либо значительно ухудшают, препятствуют или многократно прерывают работу лицензированной службы радиосвязи. К службам радиосвязи относятся, в частности, коммерческое радиовещание в диапазоне AM/FM, телевидение, сотовая связь, радиолокационные установки, авиадиспетчерские службы, пейджинговые службы и службы персональной связи (Personal Communication Services PCS). Эти лицензированные службы радиосвязи, а также нелицензированные службы радиосвязи, например, технологии WLAN или Bluetooth, в сочетании с источниками непреднамеренного излучения, например, цифровыми устройствами (включая компьютерные системы), формируют электромагнитную среду.

Электромагнитной совместимостью (Electromagnetic Compatibility EMC) называют способность электронного оборудования правильно работать в окружении электронных приборов. Хотя данная компьютерная система разработана и протестирована на соответствие стандартам, ограничивающим уровень электромагнитных помех, это не гарантирует отсутствие помех в конкретном месте установки.

Устройства SonicWall проектируются, тестируются и классифицируются в соответствии с определенной электромагнитной средой. Такая классификация по электромагнитному окружению обычно основана на следующих согласованных определениях.

- Устройства **класса В** предназначены для использования в домашних условиях, но также могут использоваться и в нежилых помещениях.

① **NOTE:** Примечание. Домашние условия - это условия, в которых телевизионные и радиоприемники могут использоваться на расстоянии 10 м от того места, где применяется данное устройство.

- Устройства **класса А** предназначены для использования в нежилых помещениях. Кроме того, устройства класса А могут использоваться в домашних условиях, но их использование может привести к появлению помех. В этом случае пользователю потребуется принять меры по их устранению.

Если данное оборудование создает помехи в работе служб радиосвязи, что можно определить, отключив это оборудование и снова включив его, попытайтесь устранить помехи с помощью одного или нескольких указанных ниже способов.

- Переориентируйте приемную антенну.
- Измените положение компьютера относительно приемника.
- Отодвиньте компьютер от приемника.
- Подключите компьютер к другой розетке, так чтобы питание компьютера и приемника осуществлялось от разных электроцепей.

В случае необходимости дополнительных мер проконсультируйтесь с представителем службы поддержки корпорации SonicWall или опытным теле- и радиотехником.

Классификация информационно-технологического оборудования (Information Technology Equipment ITE), включая такое встроенное в систему или подключенное к ней оборудование, как периферийные устройства, платы расширения, принтеры, устройства ввода-вывода, мониторы и т.д., должна соответствовать классификации компьютерной системы по электромагнитной обстановке.

Предписание по экранированным сигнальным кабелям. Для подключения периферийных устройств к любому устройству SonicWall используйте только экранированные кабели, чтобы уменьшить вероятность возникновения помех для служб радиосвязи. Использование экранированных кабелей гарантирует поддержку соответствия электромагнитной классификации нужной среде. По желанию можно заказать кабель на веб-узле корпорации SonicWall по адресу: <https://www.sonicwall.com>.

Корпорация SonicWall заявляет, что это устройство является устройством класса В. В следующих разделах содержится специфическая информация по электромагнитной совместимости/помехам или по безопасности устройства для конкретной страны или группы стран.

Elektromagnetna združljivost

Elektromagnetna motnja (EMI) je katerikoli signal ali oddajanje, ki se prosto širi po zraku ali potuje po napajalnih ali signalnih kabljih ter pri tem ogroža delovanje radijske navigacije oziroma drugih varnostnih storitev ali resno škoduje, ovira oziroma moti licenčno storitev radijske komunikacije. Radijske komunikacijske storitve med drugim obsegajo komercialne oddaje na področjih AM/FM, televizijo, celične telefonske storitve, radar, nadzor letenja, pozivnike in storitve PCS (Personal Communication Services). Te licenčne radijske storitve in nelicenčne radijske storitve, kot sta WLAN ali Bluetooth, skupaj z nenamernimi oddajniki, kot so digitalne naprave, vključno z računalniškimi sistemi, prispevajo k elektromagnetnemu okolju.

Elektromagnetna združljivost (EMC - Electromagnetic Compatibility) je zmožnost elektronskih naprav, da nemoteno skupaj delujejo v elektromagnetnem okolju. Ta računalniški sistem je bil sicer razvit tako, da je skladen z omejitvami za elektromagnetne motnje, ki jih predpisujejo upravni organi, in ustrezno preskušen, vendar ni nobenega jamstva, da v določeni namestitvi ne bo prišlo do motenj.

Izdelki SonicWall so narejeni, preizkušeni in ocenjeni kot ustrezni za svoje elektromagnetno okolje. Te razvrstitve po elektromagnetnih okoljih se v splošnem nanašajo na naslednje usklajene definicije:

- Izdelki iz **razreda B** so namenjeni uporabi v bivalnih/domačih okoljih, a se lahko uporabljajo tudi v nebivalnih/nedomačih okoljih.

① **NOTE:** Opomba: Bivalno/domače okolje je okolje, kjer se lahko pričakuje uporaba radijskega oddajanja in televizijskih sprejemnikov v razdalji 10 m od mesta, kjer se izdelek uporablja.

- Izdelki iz **razreda A** so namenjeni uporabi v nebivalnih/nedomačih okoljih. Izdelki iz razreda A se lahko uporabljajo v bivalnih/domačih okoljih, vendar lahko povzročajo motnje in uporabnik mora ustrezno ukrepati in jih odpraviti.

Če ugotovite, da naprava povzroča škodljive motnje radijskih komunikacijskih storitev (to storite tako, da napravo izklopate in znova vklopate), priporočamo, da jih skušate odpraviti z ukrepi, navedenimi spodaj:

- Spremenite položaj sprejemne antene.
- Spremenite položaj računalnika glede na sprejemnik.
- Premaknite računalnik proč od sprejemnika.
- Priključite računalnik in sprejemnik v različne vtičnice, tako da bosta v različnih tokokrogih.

Če je treba, se posvetujte s predstavnikom tehnične podpore SonicWall ali z izkušenim radio/televizijskim ali EMC tehnikom za dodatne nasvete.

Oprema za informacijsko tehnologijo, vključno z napravami, razširitvenimi karticami, tiskalniki, vhodno/izhodnimi napravami, monitorji itn., ki so integrirane v sistem ali priključene nanj, mora ustrezati okoljski razvrstitvi računalniškega sistema.

Obvestilo o oklopljenih signalnih kabljih: Za povezovanje komponent na katerokoli napravo SonicWall uporabljajte samo oklopljene kable, s katerimi zmanjšate možnost motenj storitev radijske komunikacije. Uporaba oklopljenih signalnih kablov zagotavlja ustrezno stopnjo dušenja motenj za želeno okolje. Če želite, lahko kabel naročite pri podjetju SonicWall na spletnem naslovu <https://www.sonicwall.com>.

Družba SonicWall je ta izdelek označila kot izdelek **razreda B**. Naslednji deli nudijo EMC/EMI ali informacije o varni uporabi izdelkov za posamezne države.

Compatibilidad electromagnética

Una interferencia electromagnética (EMI, Electromagnetic Interference) es cualquier señal o emisión, radiada en el espacio o conducida a través de un cable de alimentación o señal, que pone en peligro el funcionamiento de la navegación por radio u otro servicio de seguridad, o degrada seriamente, obstruye o interrumpe de forma repetida un servicio de comunicaciones por radio autorizado. Los servicios de radiocomunicaciones incluyen, entre otros, emisoras comerciales de AM/FM, televisión, servicios de telefonía móvil, radar, control de tráfico aéreo, buscapersonas y servicios de comunicación personal (PCS, Personal Communication Services).

Estos servicios de radio autorizados y servicios de radio no autorizados, como WLAN o Bluetooth, y los radiadores involuntarios, como dispositivos digitales, incluidos los sistemas informáticos, contribuyen al entorno electromagnético.

La compatibilidad electromagnética (EMC, Electromagnetic Compatibility) es la capacidad de los componentes del equipo electrónico de funcionar correctamente juntos en el entorno electrónico. Aunque este sistema se ha diseñado y ajustado para cumplir con los límites de emisión electromagnética establecidos por la agencia reglamentaria, no hay ninguna garantía de que no ocurran interferencias en una instalación en particular.

Los productos SonicWall están diseñados, probados y clasificados según los entornos electromagnéticos en que se usan. Estas clasificaciones de entornos electromagnéticos se refieren generalmente a las siguientes definiciones concertadas:

- Los productos de **Clase B** son para uso en entornos residenciales/domésticos, pero también pueden ser utilizados en entornos no residenciales/no domésticos.

Nota: El entorno residencial/doméstico es un entorno en el que se anticipa el uso de receptores de radio y televisión emitidas dentro de una distancia de 10 m desde la ubicación del producto.

- Los productos de **Clase A** son para uso en entornos no residenciales/no domésticos. Los productos de **Clase A** pueden ser utilizados también en entornos residenciales/domésticos, pero pueden causar interferencias que requieran que el usuario tome las medidas correctivas oportunas.

Si este equipo provoca interferencias con servicios de comunicaciones por radio, lo que se puede determinar apagando y encendiendo el equipo, intente corregir dichas interferencias adoptando una o varias de las siguientes medidas:

- Cambie la orientación de la antena de recepción.
- Vuelva a ubicar el ordenador con respecto al receptor.
- Separe el ordenador del receptor.
- Conecte el ordenador a una toma de alimentación eléctrica diferente de forma que el ordenador y el receptor se encuentren en ramas distintas del circuito.

Si es necesario, consulte a un representante de la Asistencia técnica de SonicWall o a un técnico experimentado de radio/televisión o EMC para obtener consejos adicionales.

El equipo de tecnología de información (ITE, del inglés Information Technology Equipment), que incluye periféricos, tarjetas de expansión, impresoras, dispositivos de entrada/salida (E/S), monitores, etc., que están integrados en o conectados al sistema deben ajustarse a la clasificación del entorno electromagnético del sistema del ordenador.

Un aviso sobre cables de señales blindados: Utilice únicamente cables blindados para conectar dispositivos periféricos a todos los dispositivos SonicWall a fin de reducir la posibilidad de interferencia con los servicios de radiocomunicaciones. La utilización de cables blindados garantiza que se mantiene la clasificación apropiada EMC para el entorno pretendido. Si lo prefiere, puede pedir un cable de SonicWall en la web en <https://www.sonicwall.com>.

SonicWall ha determinado que este producto es un producto de **Clase B** unificado. En los apartados siguientes se proporciona información de seguridad del producto o de la EMC/EMI específica del país.

ความเข้ากันได้ทางแม่เหล็กไฟฟ้า

การรบกวนทางแม่เหล็กไฟฟ้า (EMI) คือ การที่ สัญญาณหรือ การแพร่กระจายใดๆ เกิดการแผ่รังสีในพื่นที่ ที่ว่างหรือ อากาศเหนือบานชี้นตามสายไฟหรือ สายสัญญาณซึ่งจะส่งผลกระทบต่อการทำงานของระบบนำทางแบบคลื่นวิทยุหรือ การให้บริการด้านความปลอดภัยอื่น ๆ นอกจากนี้ ยังอาจลดความชัดเจนของสัญญาณวิทยุหรือ การรบกวนการติดต่อสื่อสารด้วยคลื่นวิทยุที่ ได้รับอนุญาตแล้ว การบริการการสื่อสารด้วยคลื่นวิทยุ จะประกอบแต่ไม่จำกัดเฉพาะที่ การกระจายเสียง AM/FM ในเชิงพาณิชย์ โทรทัศน์ การบริการสื่อสารผ่านระบบเซลลูลาร์ เรดาร์ การควบคุมการจราจรทางอากาศ เพลเจอร์ และการบริการการสื่อสารส่วนบุคคล (PCS) ต่างๆ การบริการด้วยคลื่นวิทยุที่ ได้รับอนุญาตและการบริการด้วยคลื่นวิทยุที่ไม่ได้รับอนุญาตเช่น WLAN หรือ Bluetooth รวมทั้งอุปกรณ์ที่แผ่รังสีโดยไม่ตั้งใจเช่น ระบบคอมพิวเตอร์ ถือว่าเป็นส่วนหนึ่งของสภาพแวดล้อมทางแม่เหล็กไฟฟ้า

ความเข้ากันได้ทางแม่เหล็กไฟฟ้า (EMC) เป็นความสามารถของอุปกรณ์อิเล็กทรอนิกส์ในการทำงานร่วมกันได้อย่างถูกต้องในสภาพแวดล้อมอิเล็กทรอนิกส์ แม้ว่าระบบคอมพิวเตอร์นี้ได้รับการออกแบบและกำหนดขึ้นมาให้เป็นไปตามข้อกำหนด EMI จากหน่วยงานกำกับดูแลแต่ไม่สามารถรับประกันได้ว่า การรบกวนจะไม่เกิดขึ้นในระหว่างการทำงาน

ผลิตภัณฑ์ของ SonicWall ได้รับการออกแบบทดสอบและจัดระดับบสนามแม่เหล็กไฟฟ้าให้เหมาะสมตามประเภทของอุปกรณ์ไว้แล้ว โดยจะแบ่งออกเป็นสองระดับดังนี้ :

- ผลิตภัณฑ์ **Class B** ได้รับการออกแบบเพื่อใช้งานภายในบ้าน/ที่พำนักอาศัย แต่อาจถูกใช้ในสภาพแวดล้อมที่ไม่ใช่บ้าน/ที่พำนักอาศัยได้เช่นกัน

① **NOTE:** หมายเหตุ : สภาพแวดล้อมภายในบ้าน/ที่พำนักอาศัยเป็นสภาพแวดล้อมที่มีการใช้เครื่องใช้ไฟฟ้า อุปกรณ์วิทยุ และโทรทัศน์ ในระยะห่าง 10 เมตรจากตำแหน่งที่ผลิตภัณฑ์นี้ถูกใช้งาน

- ผลิตภัณฑ์ **Class A** ได้รับการออกแบบเพื่อใช้งานในสภาพแวดล้อมที่ไม่ใช่บ้าน/ที่พำนักอาศัยนอกจากนี้ ยังอาจใช้ผลิตภัณฑ์ Class A ภายในบ้าน/ที่พำนักอาศัยได้ แต่อาจก่อให้เกิดการรบกวนและผู้ใช้ต้องดำเนินการแก้ไขที่เพียงพอ

ถ้าอุปกรณ์ดังกล่าวก่อให้เกิดการรบกวนการติดต่อสื่อสารด้วยคลื่นวิทยุ ซึ่งสามารถแก้ไขได้โดยการปิดอุปกรณ์และเปิดใหม่อีกครั้ง เราขอแนะนำให้คุณทำตามขั้นตอนใดขั้นตอนหนึ่งดังต่อไปนี้เพื่อแก้ไขการรบกวน:

- ปรับทิศทางเสาอากาศรับสัญญาณ
- ปรับตำแหน่งคอมพิวเตอร์ให้สอดคล้องกับเครื่องรับ

- ย้ายคอมพิวเตอร์ให้ห่างจากเครื่องรับ
- เสียบปลั๊กคอมพิวเตอร์เข้ากับเต้าเสียบปลั๊กไฟเพื่อไม่ให้คอมพิวเตอร์และเครื่องรับใช้กระแสไฟจากแหล่งจ่ายตัวเดียวกัน

ในกรณีที่เป็นให้ปรึกษาเจ้าหน้าที่ฝ่ายสนับสนุนด้านเทคนิคของ SonicWall หรือขอคำแนะนำเพิ่มเติมได้จากช่างเทคนิคที่มีประสบการณ์ด้านโทรศัพท์มือถือ / วิทยุ หรือ EMC

อุปกรณ์เทคโนโลยีสารสนเทศ (ITE) รวมถึงอุปกรณ์ต่อพ่วงการ์ดต่างๆ เครื่องพิมพ์ อุปกรณ์ไอ/โอ (I/O) จอภาพและอื่น ๆ ซึ่งได้รวมเข้าหรือเชื่อมต่อกับระบบนี้ ควรจะตรงกับประเภทอุปกรณ์ที่ก่อให้เกิดคลื่นแม่เหล็กไฟฟ้าของระบบคอมพิวเตอร์นี้

ข้อสังเกตเกี่ยวกับสายสัญญาณ มอนิเตอร์: ให้ใช้สายหุ้มฉนวนแทนที่สำหรับเชื่อมต่ออุปกรณ์ต่อพ่วงเข้ากับอุปกรณ์ SonicWall ใดๆ เพื่อลดความเสี่ยงต่อการเกิดการรบกวนการบริการการสื่อสารด้วยคลื่นวิทยุ การใช้สายหุ้มฉนวนนี้จะช่วยให้อุ่นใจได้ว่าคุณจะสามารถรักษาการปฏิบัติตาม EMC ที่เหมาะสมสำหรับสภาพแวดล้อมที่กำหนดไว้ได้ หากท่านต้องการท่านสามารถสั่งซื้อสายสัญญาณจาก SonicWall ได้ทางเว็ลด์ไซต์เว็บที่ <https://www.sonicwall.com>.

SonicWall ได้กำหนดให้ผลิตภัณฑ์นี้เป็นผลิตภัณฑ์แบบฮาร์โมนายซ์ **Class B** (Class B Harmonized Product) ส่วนต่างๆต่อไปนี้จะเป็ นขั มมูลเกี่ ยวกับ EMC/EMI หรือ ขั มมูลความปลอดภัยของผลิตภัณฑ์สำหรับแต่ละประเทศ

Elektromanyetik uyumluluk

Elektromanyetik Girişim (EMI) boş alanda yayılan veya güç ya da sinyal kablolarıyla iletilen, telsiz navigasyon sistemlerinin veya başka güvenlik hizmetlerinin çalışmasını tehlikeye atan veya lisanslı telsiz iletişim hizmetini ciddi ölçüde kötüleştiren, engelleyen veya art arda kesintiye uğratan her türlü sinyal veya emisyonudur. Radyo veya telsiz iletişim servisleri ticari AM/FM yayınları, televizyon, hücresel servisler, radar, hava trafik kontrolü, çağrı ve Kişisel İletişim Servislerini (PCS) içerir ancak bunlarla sınırlı değildir. Bu lisanslı telsiz hizmetleri ve lisanssız telsiz hizmetleri (örneğin WLAN veya Bluetooth) ve bunların yanı sıra bilgisayarlar da dahil olmak üzere dijital cihazlar gibi kasıtsız radyo dalgası yayıcıları elektromanyetik ortama katkıda bulunur.

SonicWall ürünleri kendi elektromanyetik ortamları için tasarlanmış, bu ortamlarda test edilmiş ve sınıflandırılmıştır. Bu elektromanyetik ortamlar genellikle aşağıdaki tanımlara bağlıdır:

- **B Sınıfı** ürünler konut/ev ortamlarında kullanıma yöneliktir, ama konut/ev ortamları dışında da kullanılabilir.

① **NOTE:** Not: Konut/ev ortamları, radyo ve televizyon yayını alıcılarının bu ürünün kullanıldığı yere en çok 10 m uzaklıkta olması beklenen ortamlardır.

- **A Sınıfı** ürünler konut/ev dışı ortamlarda kullanıma yöneliktir. A Sınıfı ürünler konut/ev ortamlarında da kullanılabilir, ancak girişime neden olurlar ve kullanıcının bunu giderecek önlemleri alması gerekir.

Bu cihaz telsiz iletişim servislerinde girişime neden oluyorsa (bunu, cihazı açıp kapatarak saptayabilirsiniz), girişimi aşağıdaki önlemlerin biri veya birkaçıyla gidermeyi denemeniz önerilir:

- Alıcı antenin yönünü değiştirin.
- Bilgisayarın alıcıya göre yerini değiştirin.

- Bilgisayarı alıcıdan uzaklaştırın.
- Bilgisayarı farklı bir fişe takın böylelikle bilgisayar ve alıcı farklı devreler üzerinde olur.

Gerekliyse, ek öneriler için SonicWall Teknik Destek temsilcisine veya deneyimli bir radyo/televizyon ya da EMC teknisyenine başvurun.

Sisteme bağlı veya entegre çevresel aygıtlar, genişletme kartları, giriş/çıkış (I/O) aygıtları monitörler ve diğer Bilgi Teknolojisi Cihazları (ITE) bilgisayar sisteminin elektromanyetik ortam sınıfına uymalıdır.

Korumalı Sinyal Kabloları Hakkında Uyarı: Herhangi bir SonicWall aygıtına çevre birimleri bağlamak için, telsiz iletişim hizmetleriyle girişim olasılığını azaltmak amacıyla yalnızca korumalı kablolar kullanın. Korumalı kabloların kullanımı istenilen ortam için EMC sınıflandırmasına uyumu sağlar. İsterseniz SonicWall <https://www.sonicwall.com> World Wide Web adresinden bir kablo sipariş edebilirsiniz.

SonicWall bu ürünün **Sınıf B** uyumlu bir ürün olduğunu saptamıştır. Aşağıdaki bölümlerde ülkeye özgü EMC/EMI veya ürün güvenliği bilgileri sağlanmaktadır.

EMC Agency Specific Information

- FCC, Class B
- Industry Canada, Class B
- Industry Canada, Classe B
- European Union, Class B
- Европейски съюз, Клас B
- CE Notice
- CE обозначение
- Upozornění CE
- Evropská unie, třída B
- Bemærkning vedr. CE
- Den Europæiske Union, Klasse B
- CE-kennisgeving
- Europese Unie/Klasse B
- CE-vastavusmärgis
- Euroopa Liit, Klass B
- CE-ilmoitus
- Euroopan unioni, luokka B
- Avis de la CE
- Union européenne, Classe B
- CE-Hinweise

- Europäische Union, Klasse B
- Σήμα CE
- Ευρωπαϊκή Ένωση, Κατηγορία B
- CE jelzés
- Európai Unió, „B” osztály
- Avviso CE
- Unione Europea, Classe B
- CE paziņojums
- Eiropas Savienība, klase B
- CE pastaba
- Europos Sąjunga, B klasė
- Avviž CE
- Oznaczenie CE
- Unia Europejska, klasa B
- Aviso da CE
- União Europeia, Classe B
- Notificare CE
- Uniunea Europeană, Clasa B
- Poznámka o značce CE
- Európska únia, Trieda B
- Obvestilo CE
- Evropska unija, razred B
- Notificación del CE
- Unión Europea, Clase B
- CE-meddelande
- Europeiska unionen, klass B
- Tüketicik Elektronikleri Bildirisi
- Avrupa Birliği, B Sınıfı
- KCC, B 등급 장비 (가정용 정보/원격 통신 장비)
- BSMI 通告 (僅限於台灣)

FCC, Class B

This equipment generates, uses, and can radiate radio frequency energy and, if not installed and used in accordance with the manufacturer's instruction manual, may cause interference with radio and television reception. This equipment has been tested and found to comply with the limits for a Class B digital device pursuant to Part 15 of the FCC Rules.

① **NOTE:** The FCC regulations provide that changes or modifications not expressly approved by SonicWall Inc. could void your authority to operate this equipment.

These limits are designed to provide reasonable protection against harmful interference in a residential installation. However, there is no guarantee that interference will not occur in a particular installation. If this equipment does cause harmful interference with radio or television reception, which can be determined by turning the equipment off and on, you are encouraged to try to correct the interference by one or more of the following measures:

- Reorient or relocate the antenna of the radio/television receiver.
- Increase the separation between this equipment and the radio/television receiver.
- Plug the system into a different outlet so that the system and the receiver are on different power mains branch circuits.
- Consult a representative of SonicWall Inc. or an experienced radio/television technician for additional suggestions.

The following information is provided on the device or devices covered in this document in compliance with FCC regulations:

Product name:	SonicWall SonicWave 681
Regulatory Model:	APL66-106
Company name:	SonicWall Inc. 1033 McCarthy Blvd Milpitas, CA 95035 +1-888-745-557-6642

Industry Canada, Class B

This Class B digital apparatus complies with Canadian ICES-003.

① **NOTE:** The Industry Canada regulations provide that changes or modifications not expressly approved by SonicWall Inc. could void your authority to operate this equipment.

Industry Canada, Classe B

Cet appareil numérique de la classe B est conforme à la norme NMB-003 du Canada.

① **NOTE:** AVIS: Dans le cadre des réglementations d'Industry Canada, vos droits d'utilisation de cet équipement peuvent être annulés si des changements ou modifications non expressément approuvés par SonicWall Inc. y sont apportés.

European Union, Class B

This SonicWall device is classified for use in a typical Class B domestic environment.

A "Declaration of Conformity" in accordance with the preceding directives and standards has been made and is on file at SonicWall International Ltd., City Gate Park, Mahon, Cork, Ireland.

Европейски съюз, Клас В

Това устройство на SonicWall е класифицирано за използване в типичната за Клас В жилищна среда.

Изготвена е "Декларация за съответствие" според горепосочените директиви и стандарти, която се съхранява в SonicWall International Ltd., City Gate Park, Mahon, Cork, Ирландия

CE Notice

This product has been determined to be in compliance with 2014/35/EU (Low Voltage Directive), 2014/30/EU (EMC Directive), and amendments of the European Union.

CE обозначение

Този продукт отговаря на 2014/35/EU (Нисковолтова директива), 2014/30/EU (Директива за електромагнитна съвместимост) и измененията на Европейския съюз.

Upozornění CE

Bylo ustanoveno, že tento produkt splňuje směrnici 2014/35/EU (nízkonapěťová směrnice), směrnici 2014/30/EU (směrnice EMC) a dodatky Evropské unie.

Evropská unie, třída B

Toto zařízení společnosti SonicWall je klasifikováno pro použití v obvyklém prostředí domácností (třída B).

„Prohlášení o shodě“ v souladu s výše uvedenými směrnici a normami bylo zpracováno a je uloženo v archivu společnosti SonicWall International Ltd., City Gate Park, Mahon, Cork, Irsko.

Bemærkning vedr. CE

Dette produkt er fundet i overensstemmelse med 2014/35/EU (Lavvoltsdirektivet), 2014/30/EU (EMC-direktivet) og den Europæiske Unions ændringer.

Den Europæiske Union, Klasse B

Denne SonicWall-enhed er klassificeret til anvendelse i et typisk Klasse B-hjemligt miljø.

En "Overensstemmelseserklæring", som er i henhold til foregående direktiver og standarder, er udført og arkiveret hos SonicWall International Ltd., City Gate Park, Mahon, Cork, Irland.

CE-kennisgeving

Dit product is in overeenstemming bevonden met 2014/35/EU (Laagspanningsrichtlijn), 2014/30/EU (EMC-richtlijn) en amendementen van de Europese Unie.

Europese Unie/Klasse B

Dit SonicWall-apparaat is geclassificeerd voor gebruik in een typische klasse B woonomgeving.

Een "Verklaring van conformiteit" in overeenstemming met de voorgenoemde richtlijnen en standaarden is beschikbaar bij SonicWall International Ltd., City Gate Park, Mahon, Cork, Ireland.

CE-vastavusmärgis

Antud toode vastab direktiividele 2014/35/EÜ (Madalpinge direktiiv), 2014/30/EÜ (EMC direktiiv) ja ELi parandustele.

Euroopa Liit, Klass B

Antud SonicWall toode on klassifitseeritud kasutamiseks tüüpilises B-klassi koduses keskkonnas.

Vastavalt ülaltoodud direktiividele ja standarditele on koostatud „Vastavusdeklaratsioon”, mis on arvel ettevõttes SonicWall International Ltd., City Gate Park, Mahon, Cork, Iirimaa.

CE-ilmoitus

Tämä tuote täyttää Euroopan unionin direktiivin 2014/35/EY (pienjännitedirektiivi) ja direktiivin 2014/30/EY (sähkömagneettisesta yhteensopivuudesta annettu direktiivi), sellaisina kuin ne ovat muutettuina, vaatimukset.

Euroopan unioni, luokka B

Tämä SonicWall-laite on luokiteltu käytettäväksi tyypillisessä luokan B kotiympäristössä.

Yllä mainittujen direktiivien ja standardien mukainen vaatimustenmukaisuusvakuutus on tehty, ja sitä säilyttää SonicWall International Ltd., City Gate Park, Mahon, Cork, Irlanti.

Avis de la CE

Ce produit a été déclaré conforme aux directives 2014/35/EU (Directive sur la faible tension), 2014/30/EU (Directive EMC) et aux amendements de l'Union européenne.

Union européenne, Classe B

Cet appareil SonicWall est classé pour une utilisation dans un environnement résidentiel classique (classe B).

Une « Déclaration de Conformité » relative aux normes et directives précédentes a été rédigée et est enregistrée auprès de SonicWall International Ltd., City Gate Park, Mahon, Cork, Irlande.

CE-Hinweise

Es ist befunden worden, dass dieses Produkt in Übereinstimmung mit 2014/35/EU (Niederspannungs-Richtlinie), 2014/30/EU (EMV-Richtlinie) und Ergänzungen der Europäischen Union steht. Verschiedene Versionen dieses Produkts können evtl.

Europäische Union, Klasse B

Dieses Gerät von SonicWall ist für die Verwendung in einer typisch häuslichen Umgebung der Klasse B vorgesehen.

Eine Konformitätserklärung in Übereinstimmung mit den oben angeführten Normen ist abgegeben worden und kann bei SonicWall International Ltd., City Gate Park, Mahon, Cork, Irland, eingesehen werden.

Σήμα CE

Το προϊόν αυτό συμμορφώνεται με τις οδηγίες 2014/35/EE (Οδηγία περί χαμηλής τάσης), 2014/30/EE (Οδηγία περί ηλεκτρομαγνητικής συμβατότητας), και τροποποιήσεις τους από την Ευρωπαϊκή Ένωση.

Ευρωπαϊκή Ένωση, Κατηγορία B

Αυτή η συσκευή SonicWall είναι κατάλληλη για χρήση σε ένα σύνηθες οικιακό περιβάλλον κατηγορίας B.

Μία «Δήλωση Συμμόρφωσης» σύμφωνα με τις προηγούμενες οδηγίες και πρότυπα υπάρχει και είναι αρχειοθετημένη στο SonicWall International Ltd., City Gate Park, Mahon, Cork, Ireland.

CE jelzés

A termék megfelel a 2014/35/EGK (alacsony feszültségű eszközökre vonatkozó irányelv), a 2014/30/EGK (EMC irányelv) és az Európai Unió ajánlásainak.

Ευρωπαϊκή Ένωση, „B” osztály

Ez a SonicWall eszköz „B” osztályú besorolást kapott, tipikus lakossági környezetben való használatra alkalmas.

Az előbbieken ismertetett irányelvek és szabványok szellemében „Megfelelési nyilatkozat” készült, amely az írországi SonicWall International Ltd., City Gate Park, Mahon, Cork, telephelyéről lekérhető.

Avviso CE

Il presente prodotto è stato determinato essere conforme alla 2014/35/CE (Direttiva Bassa Tensione), alla 2014/30/CE (Direttiva CEM) e a rettifiche da parte dell'Unione Europea.

Unione Europea, Classe B

Il presente dispositivo SonicWall è classificato per l'uso nel tipico ambiente domestico di Classe B.

Una "Dichiarazione di conformità" secondo gli standard e le direttive precedenti è stata emessa e registrata presso SonicWall International Ltd., City Gate Park, Mahon, Cork, Irlanda.

CE paziņojums

Šis izstrādājums atbilst direktīvām 2014/35/EK (Direktīva par zemsprieguma iekārtām), 2014/30/EK (Direktīva par elektromagnētisko saderību) un to labojumiem Eiropas Savienības ietvaros.

Eiropas Savienība, klase B

Šī firmas SonicWall ražotā ierīce ir atzīta par derīgu darbam B klasei atbilstošos mājas apstākļos.

“Atbilstības deklarācija”, kas ir saskaņā ar iepriekšminētajām direktīvām un standartiem, ir sastādīta un tiek glabāta firmā SonicWall International Ltd., City Gate Park, Mahon, Cork, Īrijā.

CE pastaba

Buvo nustatyta, kad šis produktas atitinka direktyvą 73/23/EEB (žemos įtampos direktyvą), 89/336/EEB (elektromagnetinio suderinamumo direktyvą) ir Europos Sąjungos pataisas.

Europos Sąjunga, B klasė

Šis „SonicWall“ prietaisas yra klasifikuotas naudoti įprastose B klasės gyvenamosiose aplinkose.

Atitikties deklaracija pagal visas galiojančias direktyvas ir standartus yra sudaryta ir saugoma įrašyta faile SonicWall International Ltd., City Gate Park, Mahon, Cork, Limeriko mieste, Airijoje.

Avviż CE

Ġie stabbilit li dan il-prodott hu konformi ma' 2014/35/KE (Direttiva dwar il-Vultaġġ Baxx), 2014/30/KE (Direttiva EMC), u emendi ta' l-Unjoni Ewropea.

Unjoni Ewropea, Klassi B

Dan it-tagħmir SonicWall hu kklassifikat għall-użu f'ambjent residenzjali tipiku ta' Klassi B.

Saret “Dikjarazzjoni ta' Konformità” b'konformità mad-direttivi u ma' l-istandards imsemmijin qabel, u din tinsab iffajljata għand SonicWall International Ltd., City Gate Park, Mahon, Cork, Irlanda.

Oznaczenie CE

Niniejszy produkt został określony jako zgodny z dyrektywą niskonapięciową 2014/35/WE i dyrektywą zgodności elektromagnetycznej 2014/30/WE oraz poprawkami do nich.

Unia Europejska, klasa B

Niniejsze urządzenie firmy SonicWall zostało zakwalifikowane do klasy B, do użytku w typowych środowiskach domowych.

Zgodnie ze stosownymi dyrektywami i normami została sporządzona „Deklaracja zgodności”, która jest dostępna w aktach firmy SonicWall International Ltd., City Gate Park, Mahon, Cork, z siedzibą w Irlandia.

Aviso da CE

Este produto está em conformidade com 2014/35/EU (Directiva de baixa tensão), com 2014/30/EU (Directiva de compatibilidade electromagnética) e com as alterações da União Europeia.

União Europeia, Classe B

Este dispositivo SonicWall está classificado para utilização num ambiente doméstico típico Classe B.

Foi elaborada uma "Declaração de Conformidade" de acordo com as directivas e padrões precedentes e encontra-se arquivada na SonicWall International Ltd., City Gate Park, Mahon, Cork, Irlanda.

Notificare CE

S-a stabilit că acest produs respectă cerințele Directivei 2014/35/CE privind echipamentele de joasă tensiune, ale Directivei 2014/30/CE (Directiva EMC) privind compatibilitatea electromagnetică și ale amendamentelor Uniunii Europene.

Uniunea Europeană, Clasa B

Acest echipament SonicWall este clasificat pentru utilizare într-un mediu casnic tipic de Clasă B.

Conform directivelor și standardelor de mai sus, a fost emisă o „Declarație de Conformitate”, arhivată la sediul SonicWall International Ltd., City Gate Park, Mahon, Cork, Irlanda.

Poznámka o značke CE

Tento výrobok vyhovuje požiadavkám smernice 2014/35/EU (smernica o nízkom napätí), 2014/30/EU (smernica o elektromagnetickej kompatibilite) a neskorším zmenám a doplnkom Európskej.

Európska únia, Trieda B

Toto zariadenie SonicWall triedy B je určené pre domáce prostredie.

„Vyhlásenie o zhode“ vydané v súlade s prechádzajúcimi smernicami a štandardmi sa nachádza v spoločnosti SonicWall International Ltd., City Gate Park, Mahon, Cork, Írsko.

Obvestilo CE

Ta izdelek je v skladu z 2014/35/ES (Direktiva o nizki napetosti), 2014/30/ES (Direktiva o elektromagnetni združljivosti) in doplnili Evropske unije.

Evropska unija, razred B

Ta SonicWallova naprava je razvrščena za uporabo v značilnem bivalnem okolju razreda B.

«Izjava o skladnosti» je bila sprejeta v skladu s predhodnimi direktivami in standardi in je shranjena na naslovu SonicWall International Ltd., City Gate Park, Mahon, Cork, Ireland.

Notificación del CE

Este producto se ha fabricado de conformidad con la Directiva para bajo voltaje 2014/35/EU (Low Voltage Directive), la Directiva para compatibilidad electromagnética 2014/30/EU (EMC Directive) y las enmiendas de la Unión Europea.

Unión Europea, Clase B

Este dispositivo SonicWall está clasificado para ser utilizado en un entorno doméstico convencional de Clase B.

Se ha realizado una “Declaración de conformidad” de acuerdo con las directivas y estándares anteriores y está archivada en SonicWall International Ltd., City Gate Park, Mahon, Cork, Irlanda.

CE-meddelande

Denna produkt överensstämmer med EU-direktivet 2014/35/EU (lågspänningsdirektivet), 2014/30/EU (EMC direktivet), och andra ändringar enligt den Europeiska unionen.

Europeiska unionen, klass B

Den här SonicWall-enheten är klassificerad för användning i vanlig klass B-bostadsmiljö.

En "Försäkran om överensstämmelse" i enlighet med de föregående direktiven och standarderna har framställts och finns registrerad hos SonicWall International Ltd., City Gate Park, Mahon, Cork, Irland.

Tüketici Elektronikleri Bildirisi

Bu ürünün 2014/35/EU (Düşük Voltaj Direktifi), 2014/30/EU (EMC Direktifi), ve Avrupa Birliği'nin ilavelerine uygun olduğu belirlenmiştir.

Avrupa Birliği, B Sınıfı

Bu SonicWall cihazı, tipik bir B sınıfı, ev içi ortamda kullanılmak üzere sınıflandırılmıştır.

Yukarıda belirtilen direktifler ve standartlara uygun olarak, bir "Uygunluk Beyanı" hazırlanmıştır ve SonicWall Inc. Ürünleri Avrupa BV, İrlanda'da dosya içerisinde.

KCC, B 등급 장비 (가정용 정보/원격 통신 장비)

다음은 KCC 규정 준수에 따라 본 설명서에서 언급하고 있는 B등급 장치에 관한 것입니다.

인증 수취인:	SonicWall Inc. 1033 McCarthy Ranch Blvd Milpitas, CA 95035 +1-888-557-6642
장비 또는 모델명	이 정보에 관한 제품 레이블을 참조하십시오.
인증 번호:	KCC 로고 바로 밑에 있는 인증 번호를 참조하십시오.
제조일:	각각의 제품에는 제조 날짜가 인쇄되어 있습니다. 이 날짜는 바코드 형태로 되어 있을 것입니다.
제조국가:	이 정보에 관한 제품 레이블을 참조하십시오.

BSMI 通告 (僅限於台灣)

電磁干擾(EMI)是任何訊號或放射，輻射在廣闊的空間指引電源或訊號導引，其將危及廣電導航功能或其它安全服務，或降低產品效能，阻擾，或重復地岔斷一個廣電通訊服務。無線電通訊服務包含但不限制於AM/FM業性廣播、電視、行動電話服務、雷達、空中交通管制、呼叫器及個人通訊服務(PCS)。這些已授權的廣電服務，和未授權的廣電服務，如同WLAN或Bluetooth，與非有意輻射器如數位裝置，包括電腦系統，以適應電磁環境。

電磁相容(EMC)是指數種電子裝置在一電子環境下共同正常運作的能力。儘管該電腦系統經設計及確定符合管制單位對於EMI的限制，但不能保證在進行某些特定的安裝時其不會產生干擾。

SonicWall 產品皆經過設計、測試並依其電磁環境分類。這些電磁環境的分類通常是指下列的定義：

- **乙類** 產品是適用於住宅/家庭環境，但也可能使用於非住宅/非家庭的環境中。

① **NOTE:** 註：住宅/家庭環境是代表此產品使用的 10 公尺距離內運用廣播與電視接收器接收訊號的可能環境範圍。

- **甲類** 產品是適用於非住宅/非家庭的環境。甲類產品也可以運用於住宅/家庭環境，但可能會造成干擾且要求用戶來作適當且正確的測量。

如果該裝置確實干擾無線電通訊服務，這可以透過開關該裝置來確定，您可以嘗試下列一種或多種方式來修正干擾：

- 改變接收天線的方向。
- 改變電腦相對於接收器的位置。
- 將電腦移離接收器。
- 將電腦插在不同的插座，使電腦與接收器位於兩個不同的分支電路上。

如有必要，請洽詢 SonicWall 支援代表，或熟練的廣電技術人員或 EMC 技術人員，以便獲得其他建議。

資訊技術設備(ITE)，包括週邊裝置、擴充卡、印表機、輸入/輸出裝置、顯示器等，這些整合或連接到系統上的裝置應該與電腦系統的電磁環境類別匹配。

關於屏蔽訊號纜線的乙類通告：僅使用屏蔽訊號來連接周邊裝置至任何 SonicWall 裝置已減少廣電通訊服務可能的干擾。使用屏蔽纜線能確保維持適當的預設環境電磁相容分類。

使用屏蔽纜線能確保維持適當的預設環境電磁相容分類。對於並列印表機，SonicWall 供一條可用纜線。如果您想要，您可以從 SonicWall 全球網站 www.sonicwall.com 訂購一條纜線。

乙類

此裝置經測試證明符合 BSMI (經濟部標準檢驗局) 之乙類裝置的限制規定。這些限制的目的是為了在住宅區安裝時，能防止有害的干擾，提供合理的保護。此設備會產生、使用並散發射頻能量；如果未遵照製造廠商的指導手冊來安裝和使用，可能會干擾無線通訊。但是，這並不保證在個別安裝中不會產生干擾。

SonicWall Support

Technical support is available to customers who have purchased SonicWall products with a valid maintenance contract.

The Support Portal provides self-help tools you can use to solve problems quickly and independently, 24 hours a day, 365 days a year. To access the Support Portal, go to <https://www.sonicwall.com/support>.

The Support Portal enables you to:

- View knowledge base articles and technical documentation
- View and participate in the Community forum discussions at <https://community.sonicwall.com/technology-and-support>.
- View video tutorials
- Access <https://mysonicwall.com>
- Learn about SonicWall professional services
- Review SonicWall Support services and warranty information
- Register for training and certification
- Request technical support or customer service

To contact SonicWall Support, visit <https://www.sonicwall.com/support/contact-support>.

About This Document

① | **NOTE:** A NOTE icon indicates supporting information.

① | **IMPORTANT:** An IMPORTANT icon indicates supporting information.

① | **TIP:** A TIP icon indicates helpful information.

⚠ | **CAUTION:** A CAUTION icon indicates potential damage to hardware or loss of data if instructions are not followed.

⚠ | **WARNING:** A WARNING icon indicates a potential for property damage, personal injury, or death.

SonicWave 681 Safety and Regulatory Reference Guide
Updated - August 2022
232-005943-00 Rev A

Copyright © 2022 SonicWall Inc. All rights reserved.

The information in this document is provided in connection with SonicWall and/or its affiliates' products. No license, express or implied, by estoppel or otherwise, to any intellectual property right is granted by this document or in connection with the sale of products. EXCEPT AS SET FORTH IN THE TERMS AND CONDITIONS AS SPECIFIED IN THE LICENSE AGREEMENT FOR THIS PRODUCT, SONICWALL AND/OR ITS AFFILIATES ASSUME NO LIABILITY WHATSOEVER AND DISCLAIMS ANY EXPRESS, IMPLIED OR STATUTORY WARRANTY RELATING TO ITS PRODUCTS INCLUDING, BUT NOT LIMITED TO, THE IMPLIED WARRANTY OF MERCHANTABILITY, FITNESS FOR A PARTICULAR PURPOSE, OR NON-INFRINGEMENT. IN NO EVENT SHALL SONICWALL AND/OR ITS AFFILIATES BE LIABLE FOR ANY DIRECT, INDIRECT, CONSEQUENTIAL, PUNITIVE, SPECIAL OR INCIDENTAL DAMAGES (INCLUDING, WITHOUT LIMITATION, DAMAGES FOR LOSS OF PROFITS, BUSINESS INTERRUPTION OR LOSS OF INFORMATION) ARISING OUT OF THE USE OR INABILITY TO USE THIS DOCUMENT, EVEN IF SONICWALL AND/OR ITS AFFILIATES HAVE BEEN ADVISED OF THE POSSIBILITY OF SUCH DAMAGES. SonicWall and/or its affiliates make no representations or warranties with respect to the accuracy or completeness of the contents of this document and reserves the right to make changes to specifications and product descriptions at any time without notice. and/or its affiliates do not make any commitment to update the information contained in this document.

For more information, visit <https://www.sonicwall.com/legal>.

End User Product Agreement

To view the SonicWall End User Product Agreement, go to: <https://www.sonicwall.com/legal/end-user-product-agreements/>.

Open Source Code

SonicWall Inc. is able to provide a machine-readable copy of open source code with restrictive licenses such as GPL, LGPL, AGPL when applicable per license requirements. To obtain a complete machine-readable copy, send your written requests, along with certified check or money order in the amount of USD 25.00 payable to "SonicWall Inc.", to:

General Public License Source Code Request
Attn: Jennifer Anderson
1033 McCarthy Blvd
Milpitas, CA 95035