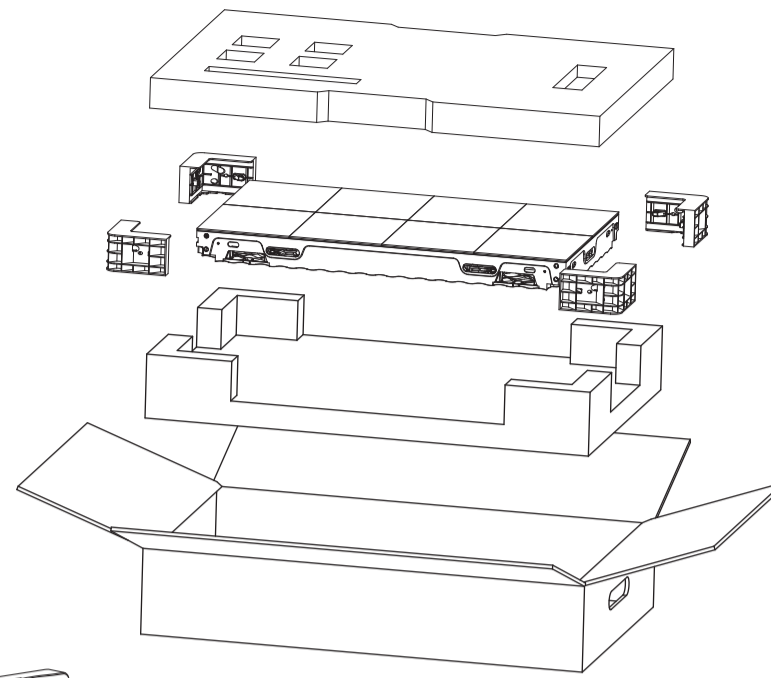


Quick Start



Please visit the website below for more product information.
www.philips.com/signagesolutions-support



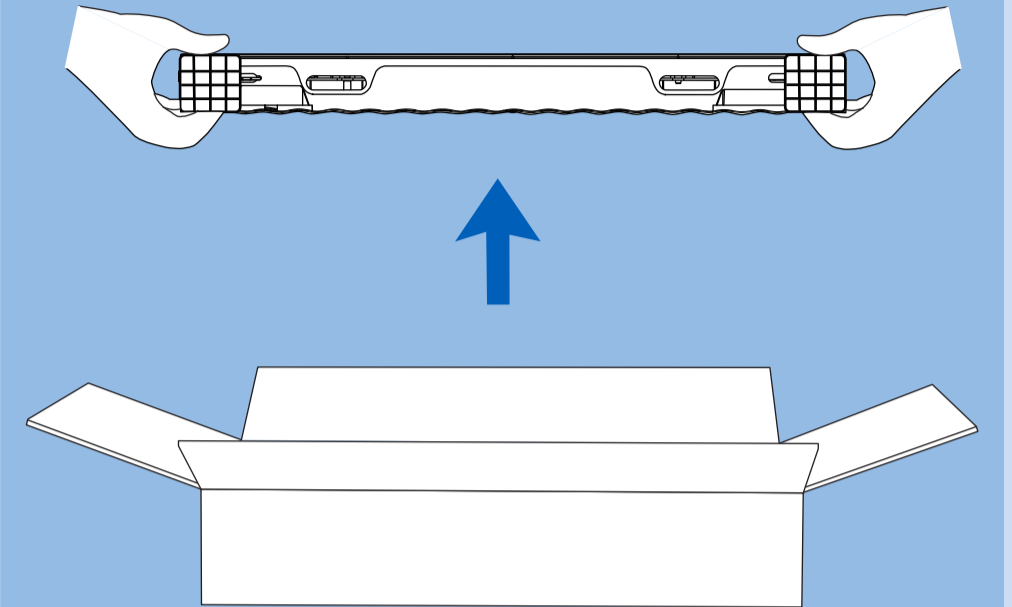
- Common connecting piece: 2 pcs
- Side connecting piece: 1 pcs
- Corner connecting piece: 1 pcs
- Screw bolt: 4 pcs (M8*20)
- Power cable (daisy chain): 1 pcs
- LAN cable (RJ45, CAT-5): 1 pcs
- Quick start guide: 1 pcs

⚠ Do not place the display vertically on the floor, as it may fall down and get damaged. (The damage will not be covered by warranty)
Display design and accessories may differ from those illustrated above.



1

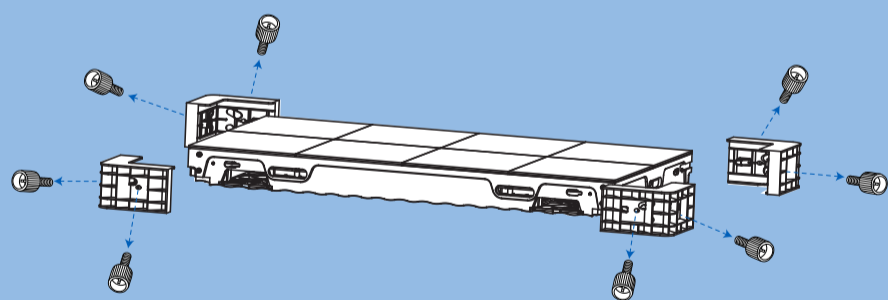
Taking the cabinet out of the carton



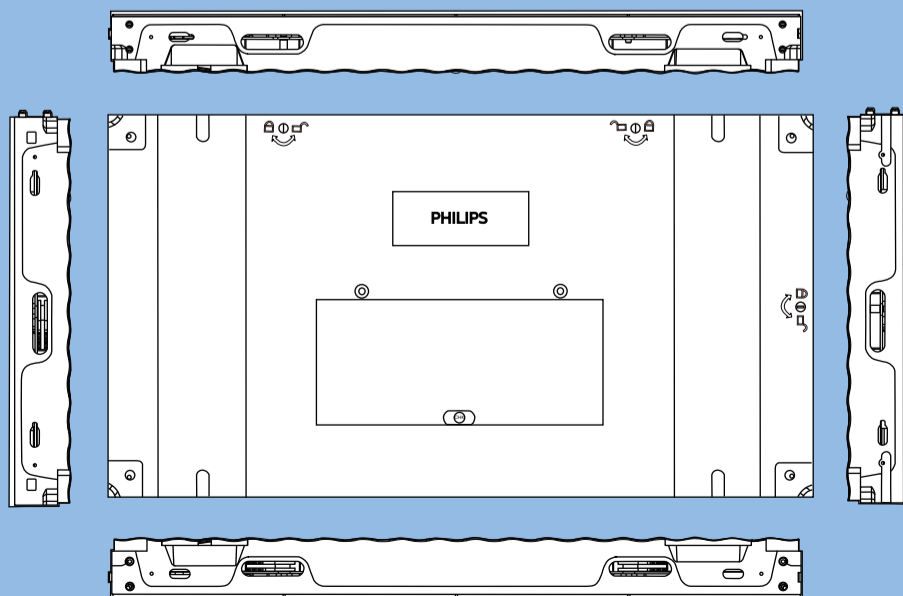
- ⚠ It is required to wear anti-static gloves before handling the cabinet.
- ⚠ To prevent damage to the LED, do NOT touch the edge of each LED module when holding the cabinet by hand.

2

Removing the protective brackets

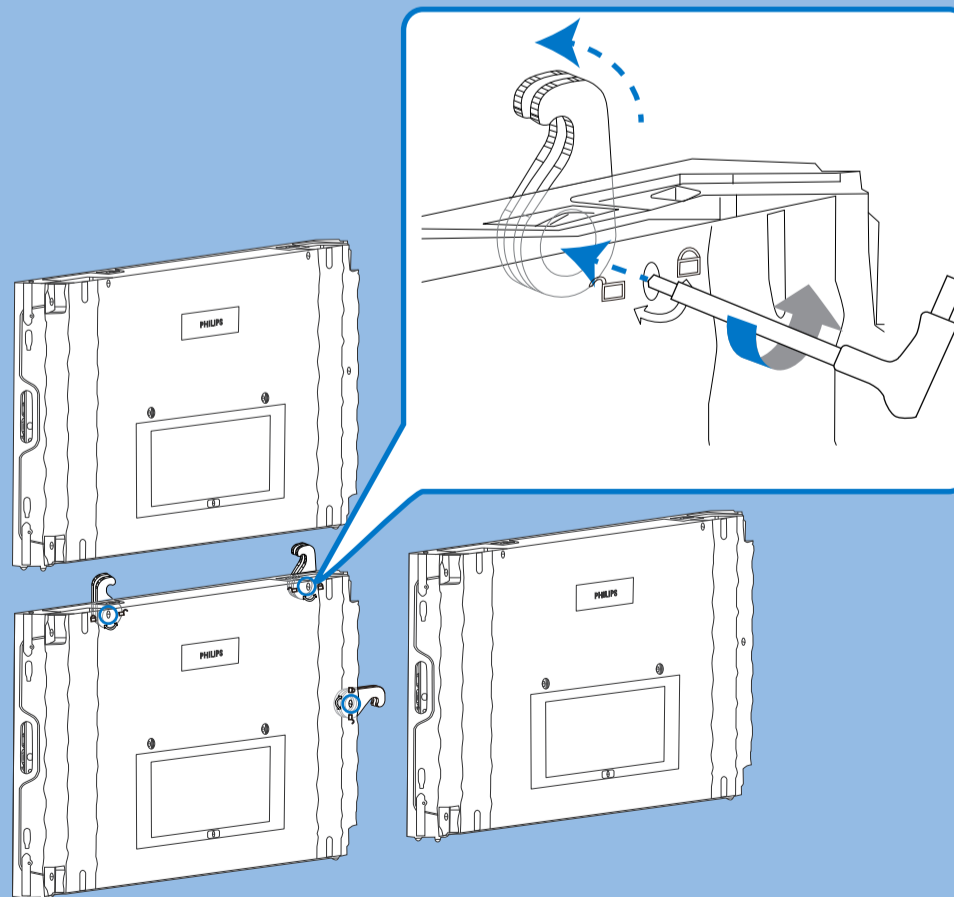


Rear/side/top/bottom views



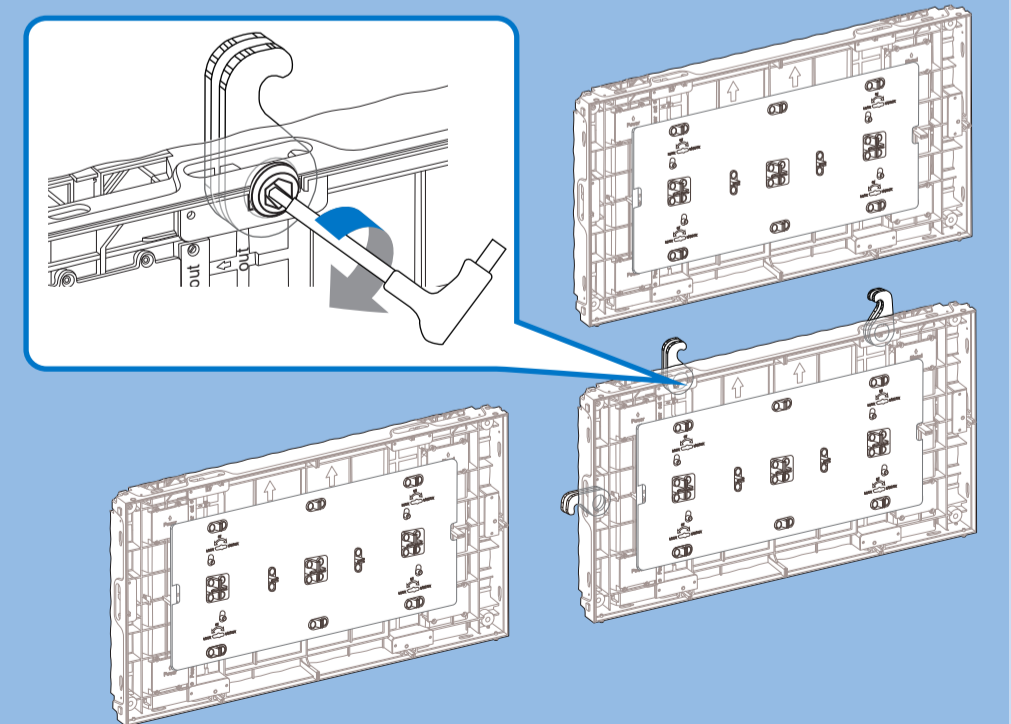
3

Connecting the cabinets from the rear side (Preferred method)



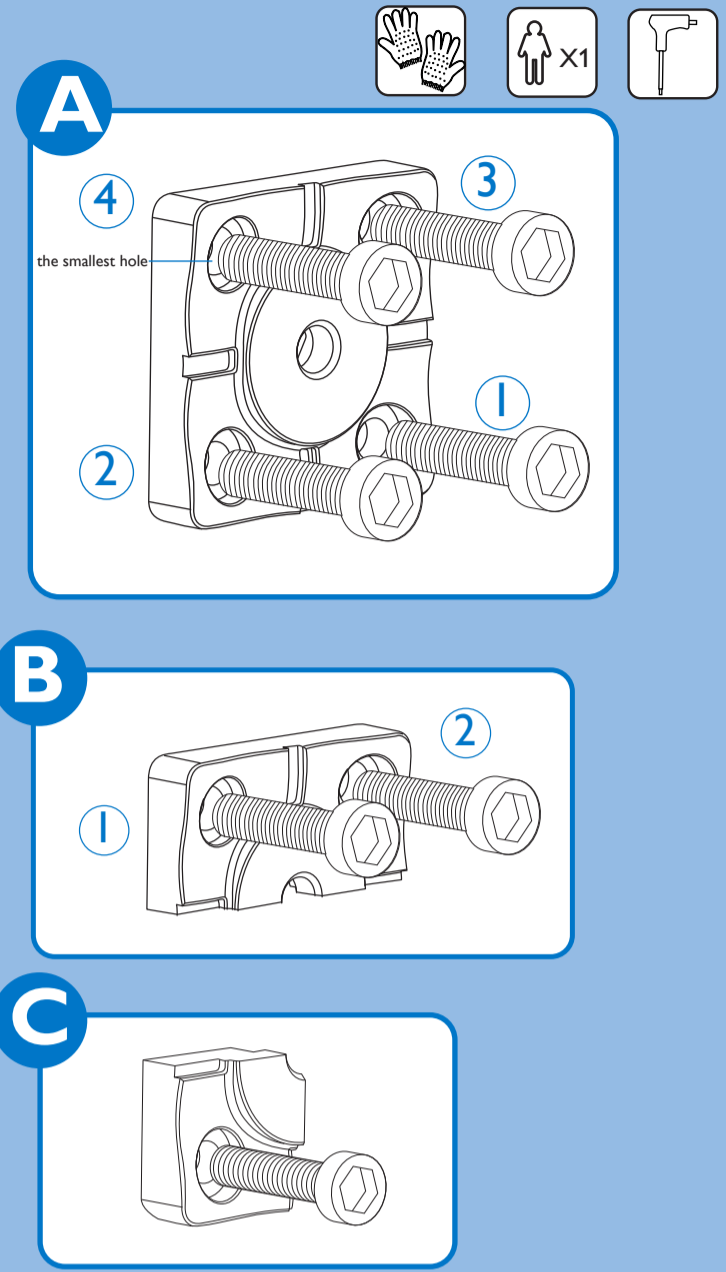
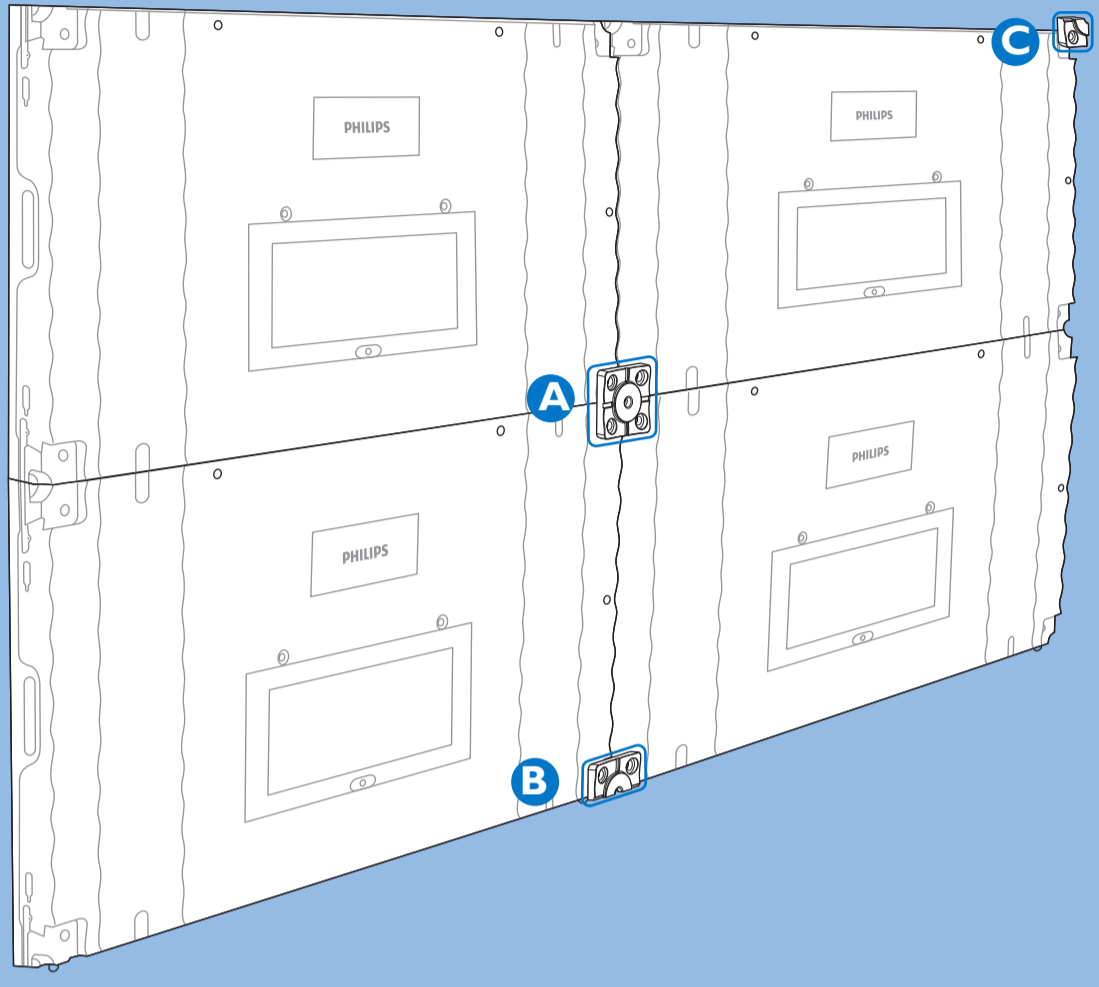
4

Connecting the cabinets from the front side (Alternative method)



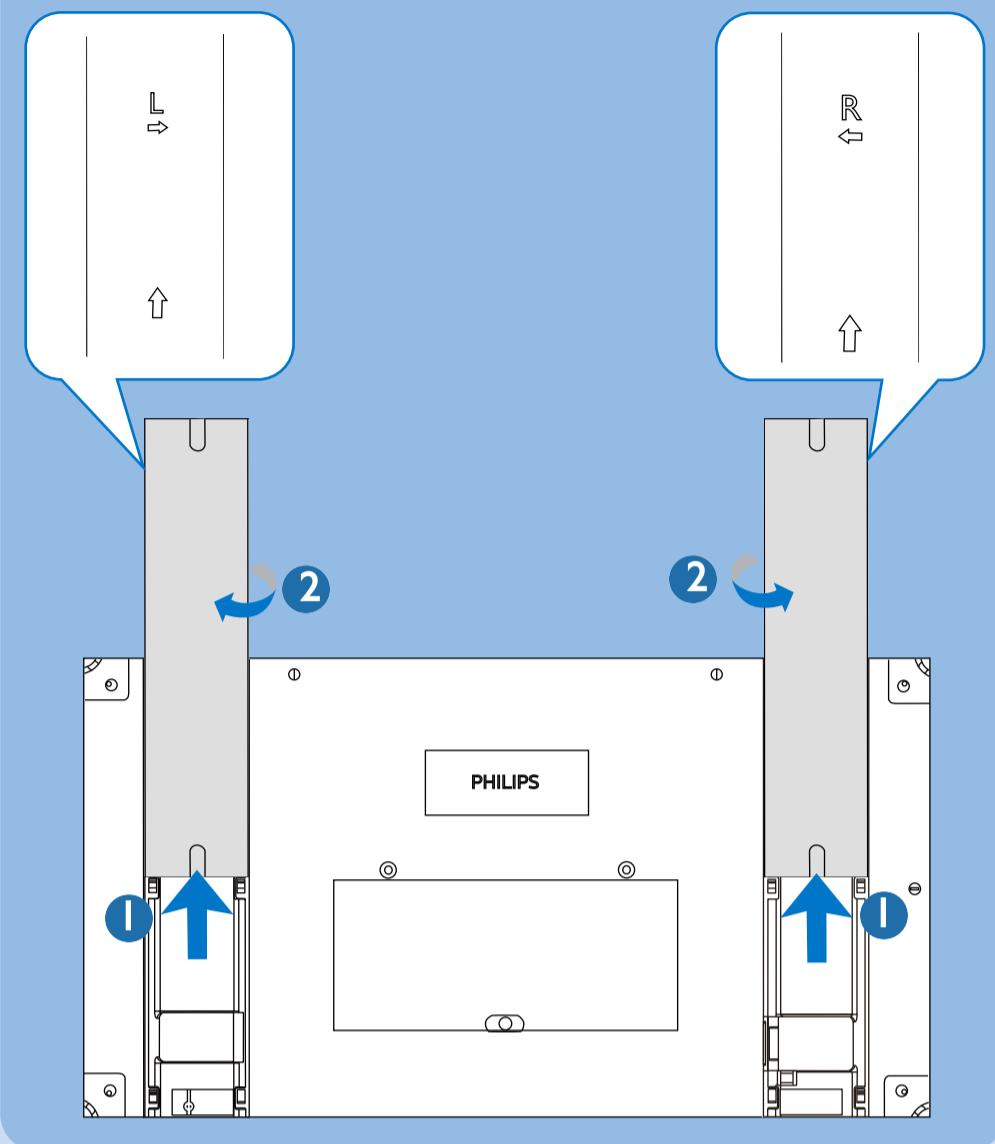
5

Using the plates to fix the cabinets (example of 2 x 2 display)



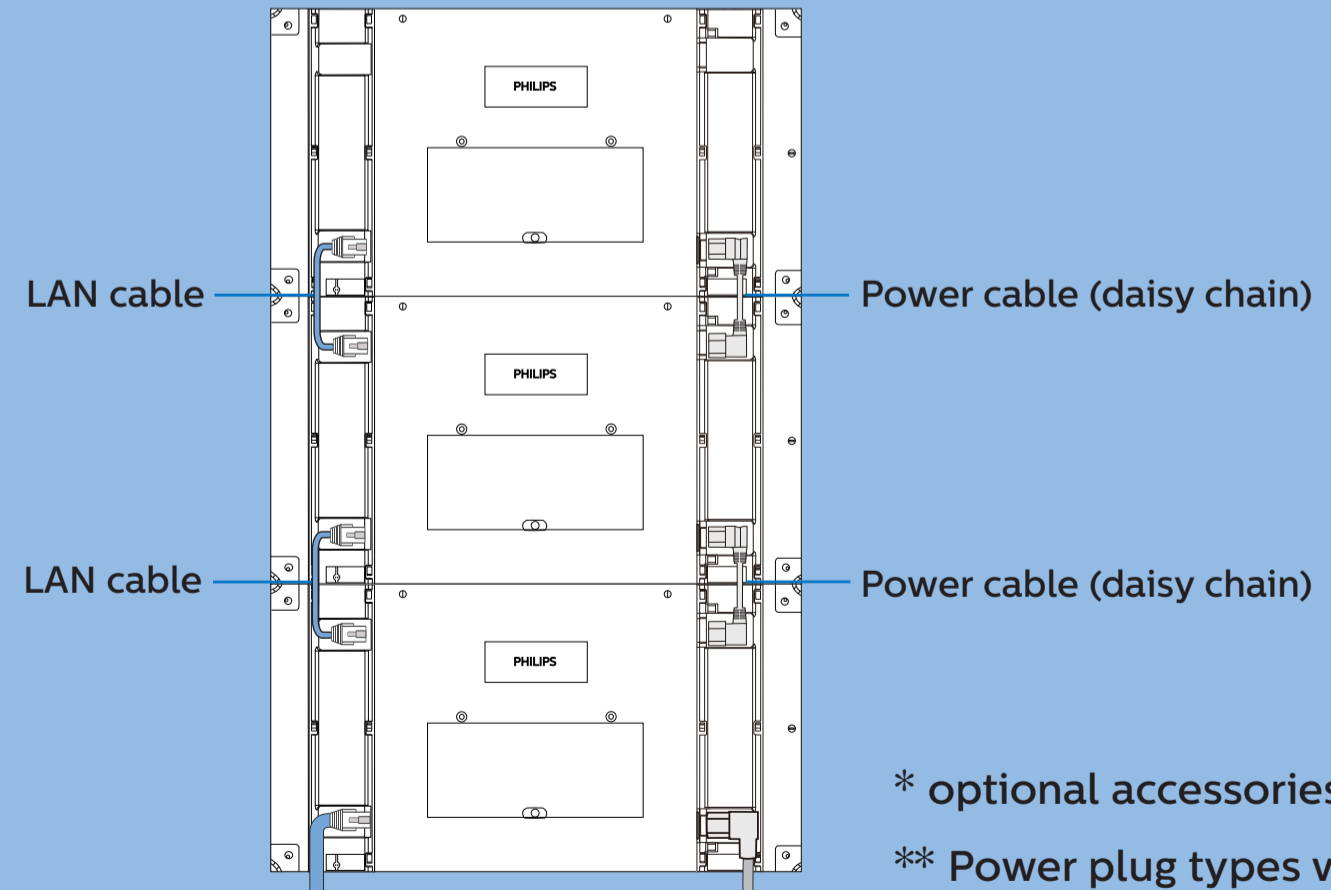
6

Opening the rear cable covers



7

Connecting the signal and power cables



* optional accessories
 ** Power plug types vary by country/region.



© 2019 Koninklijke Philips N.V. All rights reserved.
 This product was manufactured and brought to the market by or on behalf of Top Victory Investments Ltd. or one of its affiliates. Top Victory Investments Ltd. is the warrantor in relation to this product. Philips and the Philips Shield Emblem are registered trademarks of Koninklijke Philips N.V. used under license.

Specifications are subject to change without notice.
 Version: V1.02 2019-12-05