

Lenovo ThinkSystem ST50 V2
Type 7D8J and 7D8K
Quick Start

Your shipping box contains the following items:

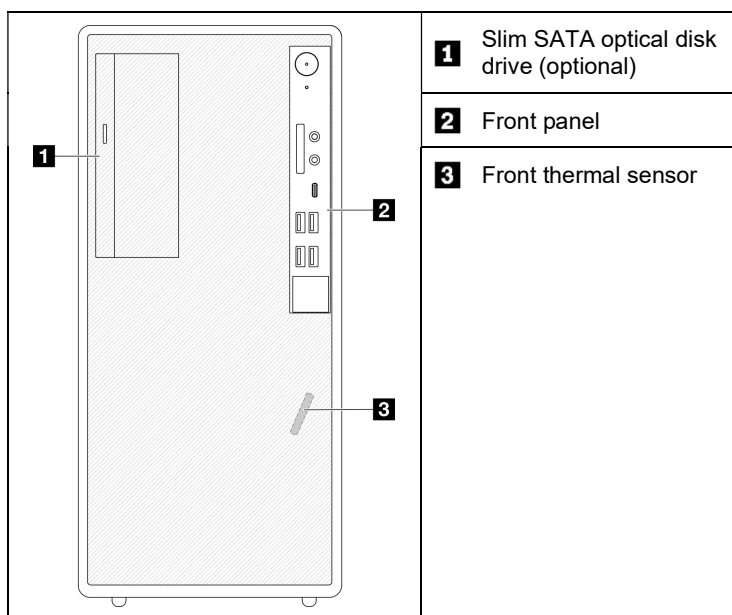
- ST50 V2
- Material box, including printed documentation

If any item is missing or damaged, contact your place of purchase. Ensure that you retain your proof of purchase and packing material. They might be required to receive warranty service.

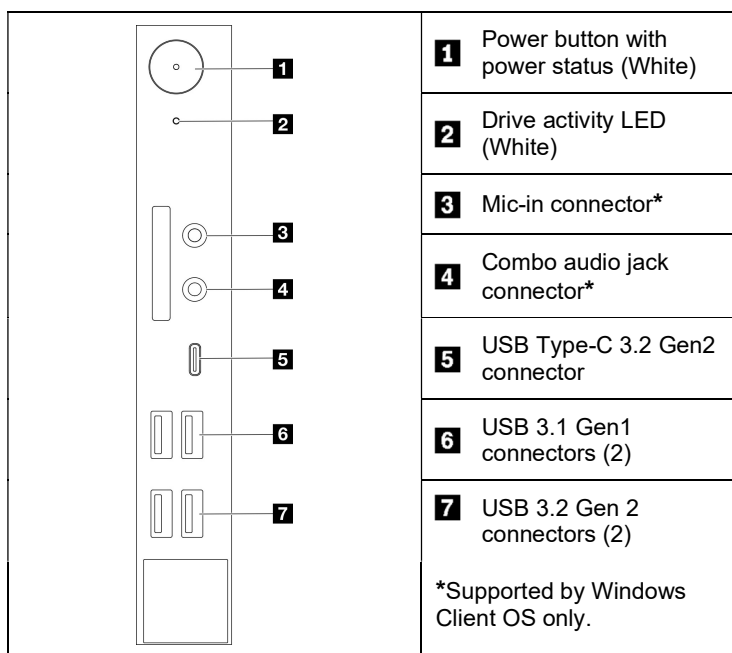
Depending on the configuration, the illustrations in this document might differ slightly from your server.

First glance

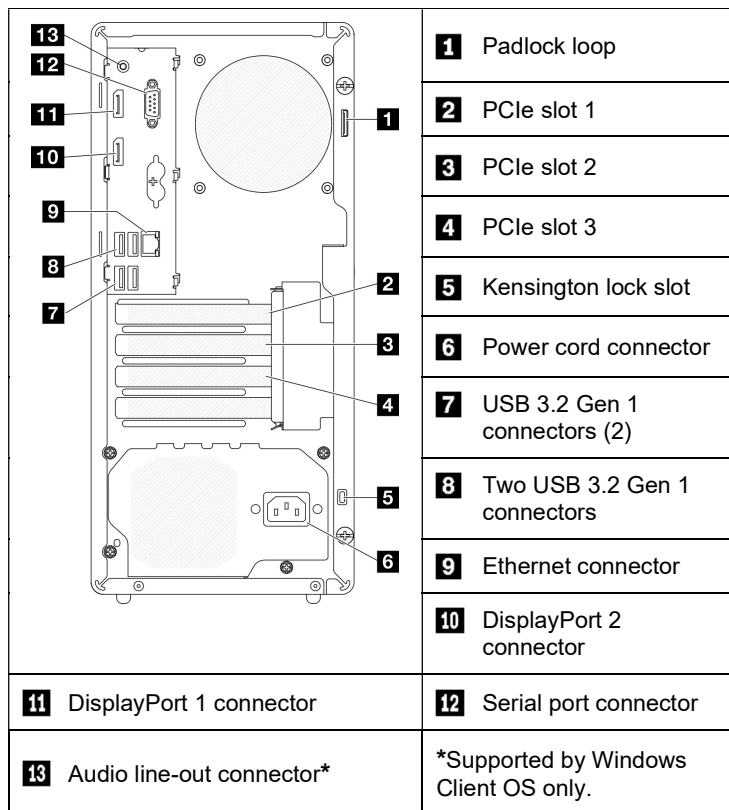
Server front view



Server front panel



Server rear view



Setting up the System

1. Install the required server components.
2. Install the server into the rack if necessary.
3. Connect the cables.
4. Power on the server.
5. Configure the system.

For detailed information about installing server into the rack, installing hardware options, and configuring the system, see the ThinkSystem Documentation Center website:

<https://thinksystem.lenovofiles.com/help/topic/st50-v2/introduction.html>



For the Rail Installation Guide that is provided on ThinkSystem Documentation Center, see the following website:

https://thinksystem.lenovofiles.com/help/topic/rail_options/rail_options_tower_servers.html



Reduce | Reuse | Recycle



Technical specifications

Dimensions and weight

- Height: 376 mm (14.8 inches)
 - Height without stands: 370 mm (14.6 inches)
- Width: 170 mm (6.7 inches)
- Depth: 315.4 mm (12.4 inches)
- Weight: Maximum 9.4 kg (20.7 lb) (depending upon configuration)

Processor

This server comes with the latest Intel® processor family, up to one processor from:

- Xeon® E3-23XX
- Pentium Gold

Memory

- Slots: four DIMM slots
- Minimum: 8 GB
- Maximum: 64 GB
- DIMM types:
 - 8GB 1Rx8 3200 ECC UDIMM
 - 16GB 2Rx8 3200 ECC UDIMM
- Slots: four DIMM slots

Storage bays (depending on the model)

Supports up to two 3.5-inch SATA drives, one 2.5-inch SATA drive, and one slim SATA optical disk drive.

- Drive bay 1
 - One 3.5-inch hard-disk or solid-state drive
- Drive bay 2 (Optional)
 - One 2.5-inch solid-state drive
- Drive bay 3 (Optional)
 - One 3.5-inch hard-disk or solid-state drive
- ODD drive bay (Optional)
 - One 9mm slim SATA optical disk drive

Expansion slots

This server comes with three PCIe expansion slots and one M.2 drive slot.

- PCIe slots
 - Slot 1: PCI Express 4.0 x16 (FHHL 75W PCIe adapter)
 - Slot 2: PCI Express 3.0 x1 (FHHL, 25W PCIe adapter)
 - Slot 3: PCI Express 3.0 x4 in x16 slot (FHHL, 25W PCIe adapter)
- M.2 drive slot
 - One 2280 M.2 SSD/Optane drive

First Edition (March 2022)

© Copyright Lenovo 2022.

LIMITED AND RESTRICTED RIGHTS NOTICE: If data or software is delivered pursuant to a General Services Administration (GSA) contract, use, reproduction, or disclosure is subject to restrictions set forth in Contract No. GS-35F-05925.

Where to go for support

Link	QR Code
 Lenovo Press (Product guides and white papers) https://lenovopress.com/	
 Lenovo Datacenter Systems Forums https://forums.lenovo.com/t5/Datacenter-Systems/ct-p/sv_eg	
 Lenovo Support – ST50 V2 (including drivers and software) https://datacentersupport.lenovo.com/products/servers/thinksystem/st50v2	
 Lenovo Product Security Advisories http://support.lenovo.com/us/en/product_security/home	
 Lenovo Server Proven (Compatibility information) https://static.lenovo.com/us/en/serverproven/index.shtml	