

FORTINET®



FortiSwitch Rugged 424F POE

FSR-424F-POE

QuickStart Guide

Before you begin

Register your device to access FortiGuard updates, cloud management, firmware upgrades, technical support and warranty coverage.

<https://support.fortinet.com>



May 12, 2023


This guide covers models: FSR-424F-POE

Copyright © 2023 Fortinet, Inc. All rights reserved. Fortinet®, FortiGate®, FortiCare® and FortiGuard®, and certain other marks are registered trademarks of Fortinet, Inc., in the U.S. and other jurisdictions, and other Fortinet names herein may also be registered and/or common law trademarks of Fortinet. All other product or company names may be trademarks of their respective owners. Performance and other metrics contained herein were attained in internal lab tests under ideal conditions, and actual performance and other results may vary. Network variables, different network environments and other conditions may affect performance results. Nothing herein represents any binding commitment by Fortinet, and Fortinet disclaims all warranties, whether express or implied, except to the extent Fortinet enters a binding written contract, signed by Fortinet's General Counsel, with a purchaser that expressly warrants that the identified product will perform according to certain expressly-identified performance metrics and, in such event, only the specific performance metrics expressly identified in such binding written contract shall be binding on Fortinet. For absolute clarity, any such warranty will be limited to performance in the same ideal conditions as in Fortinet's internal lab tests. In no event does Fortinet make any commitment related to future deliverables, features or development, and circumstances may change such that any forward-looking statements herein are not accurate. Fortinet disclaims in full any covenants, representations, and guarantees pursuant hereto, whether express or implied. Fortinet reserves the right to change, modify, transfer, or otherwise revise this publication without notice, and the most current version of the publication shall be applicable.

For Product License Agreement / EULA and Warranty Terms, visit <https://www.fortinet.com/content/dam/fortinet/assets/legal/EULA.pdf>

The Essentials

Default Logins

 <https://192.168.1.99>
Username: **admin**
Password: **leave blank**

Admin Guide

For detailed and up-to-date Getting Started guide, setup and configuration information, refer to the Admin Guide on <https://docs.fortinet.com/>

Customer Service

For contracts, licensing, product registration and account management, contact FortiCare Support at <https://www.fortinet.com/support/contact>

Self-service Resources

Access our knowledge base, forums, videos and technical experts at <https://www.fortinet.com/support/support-services/forticare-support>

Thank you for choosing Fortinet

Package Contents

FortiSwitch Rugged 424F POE
FSR-424F-POE



FortiSwitch Device



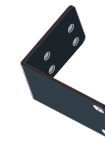
QuickStart Guide



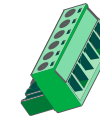
1x Console Cable
(RJ45 to USB)



4x Rubber Feet



2x Rack Mount Brackets



6 pin Terminal Block

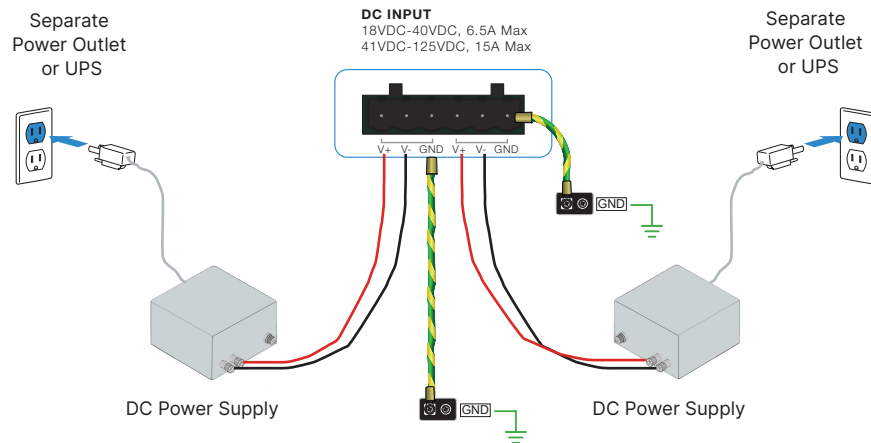
Power Connection

The FSR-424F-POE supports a redundant power option. Connect to separate independent power sources for system redundancy.

Warning:

- This product is intended to be UL Listed supplied by a Power Adapter or DC power source which output complies with provides double/reinforced insulation from the AC mains: ambient temperature 75°C maximum, output rating 18VDC to 40VDC, 6.5A Max and 41VDC to 125VDC, 15A Max
- If using Class I power adapter or Class I DC power source, power cord shall be connected to a socket-outlet with earthing connection.

Caution: The wiring of input terminal block shall be installed by skill person.
b. Terminal block is mating with plug and suitable for 14AWG minimum only, wire type: Cu, FW2. Torque value 4.5 lb-in.

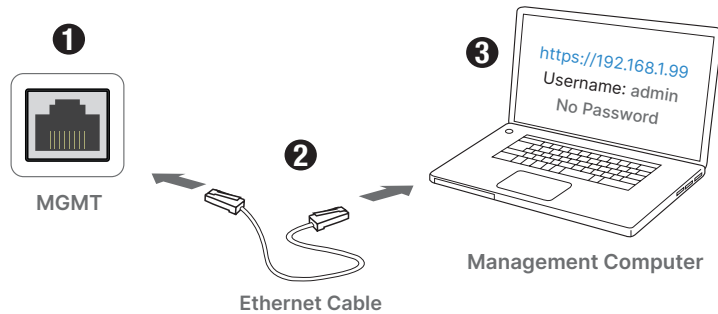


Note: The GND pin of the terminal block (protective earthing terminal) must be permanently connected to earth with a green with yellow stripe conductor minimum size 14 AWG and the connection is to be installed by a qualified service personnel

Setup Options

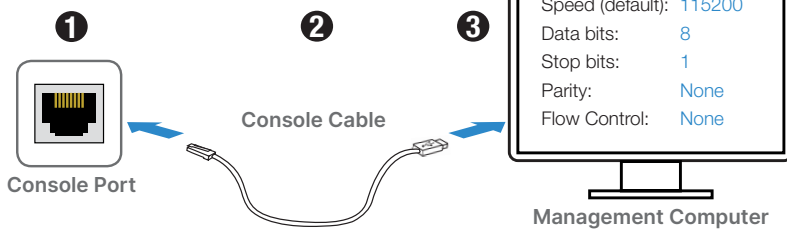
Set up your Fortinet device locally or use cloud management mode.

GUI



Note: For static IP configuration, use 192.168.1.1 with subnet mask 255.255.255.0

CLI

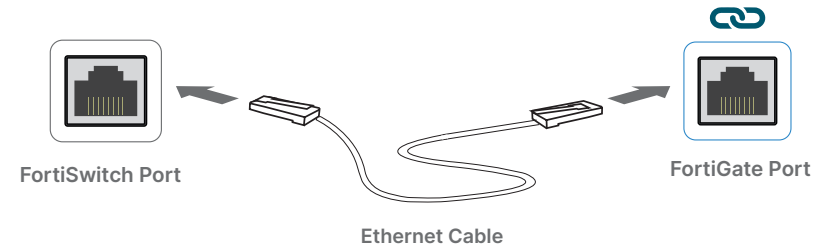


Note: For a detailed CLI guide, visit docs.fortinet.com

Cloud Management (Connect a port to the Internet)

- 1 Visit support.fortinet.com to register your device and cloud management license
- 2 Sign in at <https://fortilan.forticloud.com> to manage your Inventory List

FortiLink

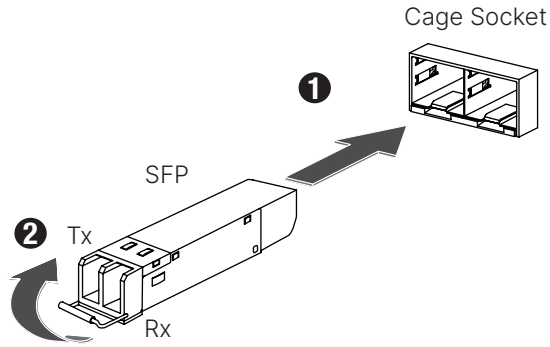


- 1 Login to the FortiGate and go to **WiFi & Switch Controller -> FortiLink Interface**
- 2 **Add a FortiGate Port** in the FortiLink interface
- 3 When the device is discovered, select **Authorize**

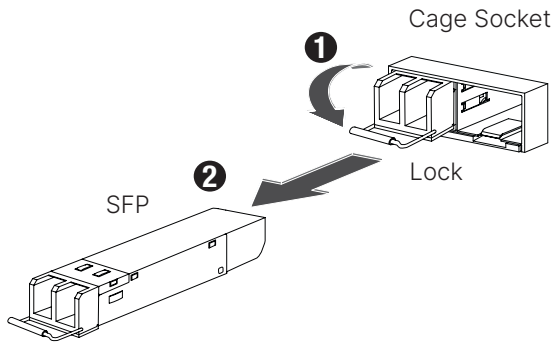
Optional: To automatically authorize the device upon discovery, enable "Automatically authorize devices" in the FortiLink Interface settings

SFP Modules

Installation

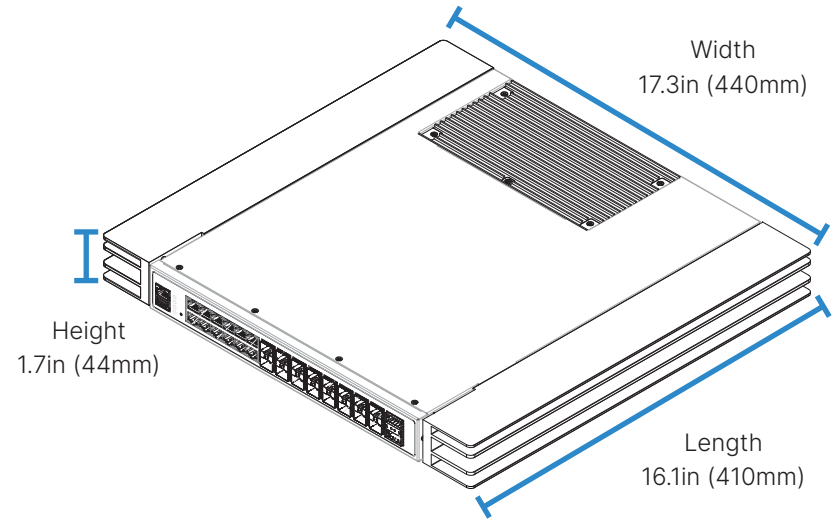


Removal

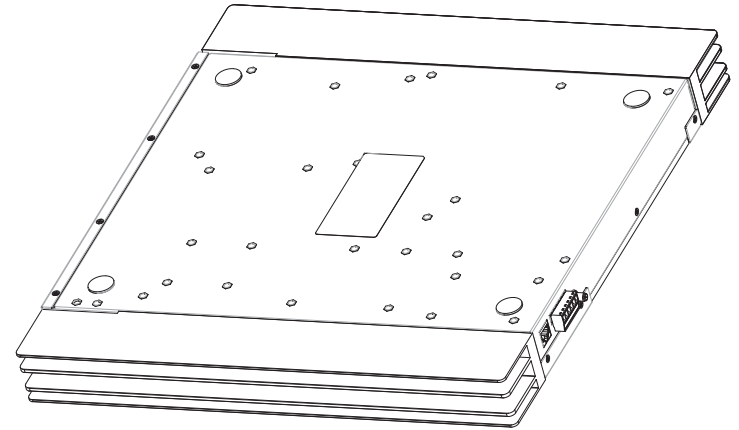


Dimensions

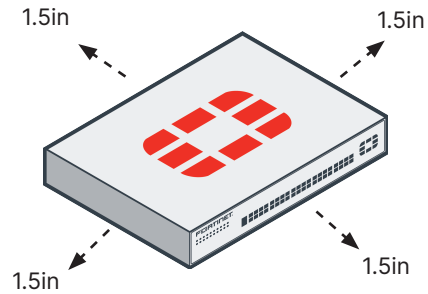
Top View



Bottom View

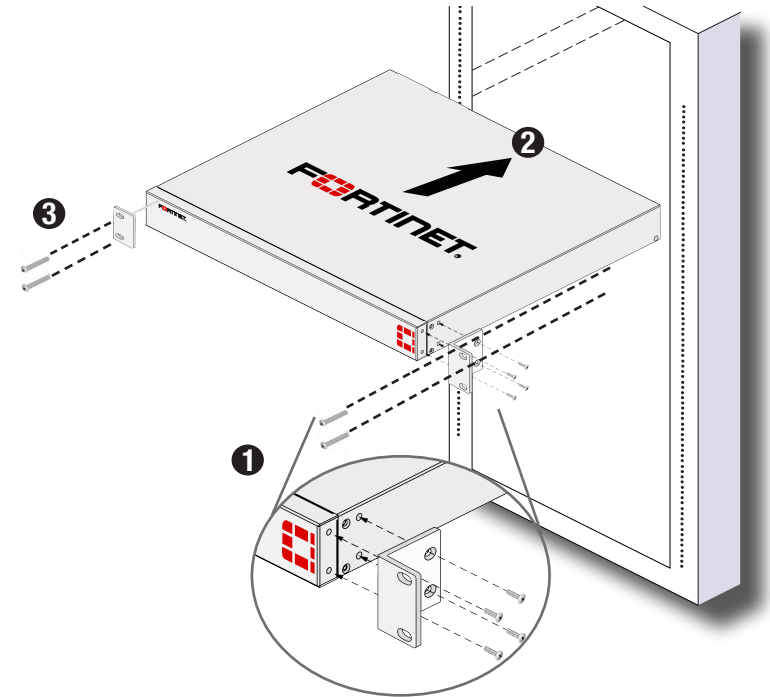


Desktop Mount



Note: Place the device on a flat, clean and stable surface.

Rack Mount

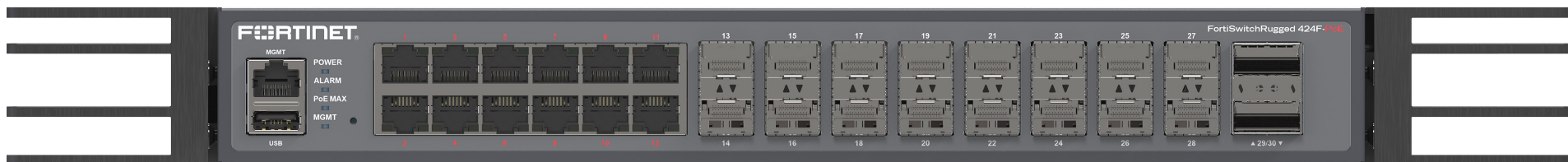


Rack mount brackets may vary as shown above

Note: The recommended clearance is 1.5 inches above and below the device.

Caution: To avoid personal injury or damage to the device, it is recommended that two or more people mount the device on a rack.

Front FSR-424F-POE



1 MGMT (RJ45) default IP 192.168.1.99

USB (USB A) USB 2.0 server port

2 Power

- **Green:** Power on
- **Off:** Power off

PoE Max (up to 421W)

- **Amber:** Power budget alarm threshold exceeded
- **Off:** PoE power available

Alarm

- **Amber:** Alarm detected
- **Off:** No alarm detected

MGMT

- **Green:** Link established
- ✂ **Flashing Green:** Data activity
- **Off:** No link established

3 PoE Ports 1 to 12 (RJ45)

- **Green:** Link established at 2.5Gbps / 1Gbps / 100Mbps
- ✂ **Flashing Green:** Data activity
- **Off:** No link established

LINK/ACT

PoE

- **Amber:** Providing PoE
- **Off:** Not providing PoE

4 Ports 13 to 24 (2.5G SFP+)

- ▼ **Green:** Link established at 2.5Gbps
- ✂ **Flashing Green:** Data activity
- ▼ **Amber:** Link established at 1Gbps
- ✂ **Flashing Amber:** Data activity
- ▼ **Off:** Link established at 100Mbps or no link established

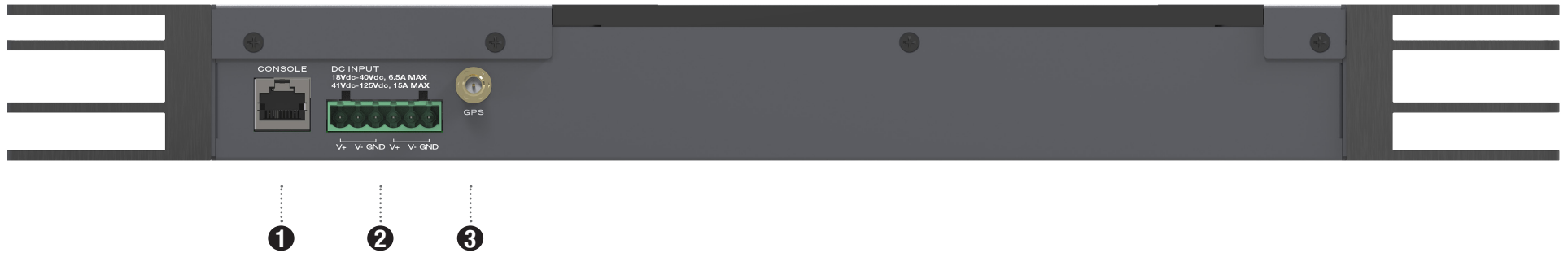
5 Ports 25 to 28 (10G SFP+)

- ▼ **Green:** Link established at 10Gbps / 1Gbps
- ✂ **Flashing Green:** Data activity
- ▼ **Off:** No link established

6 Ports 29 to 30 (QSFP+)

- ▼ **Green:** Link established up to 40Gbps
- ✂ **Flashing Green:** Data activity
- ▼ **Off:** No link established

Rear FSR-424F-POE



- ❶ **CONSOLE (RJ45)** CLI management computer interface

- ❷ **Power Connector (Terminal Block)** Redundant power inputs,
18VDC to 40VDC, 6.5A Max
41VDC to 125VDC, 15A Max

- ❸ **Antenna Connector (SMA)** Passive directional antenna connection

Cautions and Warnings

Environmental specifications

Ambient operating temperature: -40°C to 50°C

Rack Mount Instructions - The following or similar rack-mount instructions are included with the installation instructions:

Instructions de montage en rack - Les instructions de montage en rack suivantes ou similaires sont incluses avec les instructions d'installation:

Elevated Operating Ambient - If installed in a closed or multi-unit rack assembly, the operating ambient temperature of the rack environment may be greater than room ambient. Therefore, consideration should be given to installing the equipment in an environment compatible with the maximum ambient temperature (T_{ma}) specified by the manufacturer.

Température ambiante élevée - S'il est installé dans un rack fermé ou à unités multiples, la température ambiante de fonctionnement de l'environnement du rack peut être supérieure à la température ambiante de la pièce. Par conséquent, il est important d'installer le matériel dans un environnement respectant la température ambiante maximale (T_{ma}) stipulée par le fabricant.

Reduced Air Flow - Installation of the equipment in a rack should be such that the amount of air flow required for safe operation of the equipment is not compromised. **Ventilation réduite** - Installation de l'équipement dans un rack doit être telle que la quantité de flux d'air nécessaire au bon fonctionnement de l'équipement n'est pas compromise.

Mechanical Loading - Mounting of the equipment in the rack should be such that a hazardous condition is not achieved due to uneven mechanical loading. **Chargement Mécanique** - Montage de l'équipement dans le rack doit être telle qu'une situation dangereuse n'est pas liée à un chargement mécanique inégal.

Circuit Overloading - Consideration should be given to the connection of the equipment to the supply circuit and the effect that overloading of the circuits might have on overcurrent protection and supply wiring. Appropriate consideration of equipment nameplate ratings should be used when addressing this concern.

Sur-tension - Il convient de prendre l'ensemble des précautions nécessaires lors du branchement de l'équipement au circuit d'alimentation et être particulièrement attentif aux effets de la suralimentation sur le dispositif assurant une protection contre les courts-circuits et le câblage. Ainsi, il est recommandé de tenir compte du numéro d'identification de l'équipement.

Reliable Earthing - Reliable earthing of rack-mounted equipment should be maintained. Particular attention should be given to supply connections other than direct connections to the branch circuit (e.g. use of power strips). Use min. 14 AWG only.

Fiabilité de la mise à la terre - Fiabilité de la mise à la terre de l'équipement monté en rack doit être maintenue. Une attention particulière devrait être accordée aux connexions d'alimentation autres que les connexions directes au circuit de dérivation (par exemple de l'utilisation de bandes de puissance). Utiliser min. 14 AWG uniquement.

Refer to specific Product Model Data Sheet for Environmental Specifications (Operating Temperature, Storage Temperature, Humidity, and Altitude)

Référez à la Fiche Technique de ce produit pour les caractéristiques environnementales (Température de fonctionnement, température de stockage, humidité et l'altitude).

Safety

Warning: Equipment intended for installation in Restricted Access Location.

Avertissement: Le matériel est conçu pour être installé dans un endroit où l'accès est restreint.

CAUTION: Shock Hazard. Disconnect all power sources.

ATTENTION: Risque d'électrocution. Débranchez toutes les sources d'alimentation.

Regulatory Notices

Federal Communication Commission (FCC) – USA

This device complies with Part 15 of the FCC Rules. Operation is subject to the following two conditions:

- (1) this device may not cause harmful interference, and
- (2) this device must accept any interference received; including interference that may cause undesired operation.

This equipment has been tested and found to comply with the limits for a Class A digital device, pursuant to Part 15 of the FCC Rules. These limits are designed to provide reasonable protection against harmful interference when the equipment is operated in a commercial environment. This equipment generates, uses, and can radiate radio frequency energy, and if it is not installed and used in accordance with the instruction manual, it may cause harmful interference to radio communications. Operation of this equipment in a residential area is likely to cause harmful interference, in which case the user will be required to correct the interference at his own expense.

WARNING: Any changes or modifications to this product not expressly approved by the party responsible for compliance could void the user's authority to operate the equipment

Industry Canada Equipment Standard for Digital Equipment (ICES) – Canada

CAN ICES-003 (A) / NMB-003 (A)

This digital apparatus does not exceed the Class A limits for radio noise emissions from digital apparatus set out in the Radio Interference Regulations of the Canadian Department of Communications.

Cet appareil numérique n'émet pas de bruits radioélectriques dépassant les limites applicables aux appareils numériques de la classe A prescrites dans le Règlement sur le brouillage radioélectrique édicté par le ministère des Communications du Canada.

European Conformity (CE) - EU

This is a Class A product. In a domestic environment, this product may cause radio interference, in which case the user may be required to take adequate measures.



Voluntary Control Council for Interference (VCCI) – Japan

この装置は、クラスA機器です。この装置を住宅環境で使用すると電波妨害を引き起こすことがあります。この場合には使用者が適切な対策を講ずるよう要求されることがあります。

V C C I – A

Bureau of Standards Metrology and Inspection (BSMI) – Taiwan

The presence conditions of the restricted substance (BSMI RoHS table) are available at the link below:

限用物質含有情況表 (RoHS Table) 請到以下 網址下載:

<https://www.fortinet.com/bsmi>

警告： 為避免電磁干擾，本產品不應安裝或使用於住宅環境。

請仔細閱讀以下說明

本設備勿置於潮濕處。

連接至電源前，請先檢查電壓。

當設備不用時，請將所有電源線拔除，避免電壓不穩而造成傷害。

勿將任何液體灑入設備中，避免線路短路。

基於安全理由，只有受到專業訓練的從業人員，才可以打開本設備。

請勿自行調整或修理已通電的設備，以確保您的安全。

如不小心受傷，請立刻找急救人員給予您適當的救護，千萬別因傷勢輕微而忽略自己的傷勢。

雷射設備非用戶維修設備，請與生產商聯繫維修事宜。

注意：要斷開電源，請將所有電源線從本機上拔下

英屬蓋曼群島商防特網股份有限公司台灣分公司

地址：台北市內湖區行愛路176號2樓

電話：(02) 27961666

China

此为A级产品，在生活环境中，该产品可能会造成无线电干扰。这种情况下，可能需要用户对其采取切实可行的措施。

FORTINET[®]

[Fortinet.com](https://www.fortinet.com)