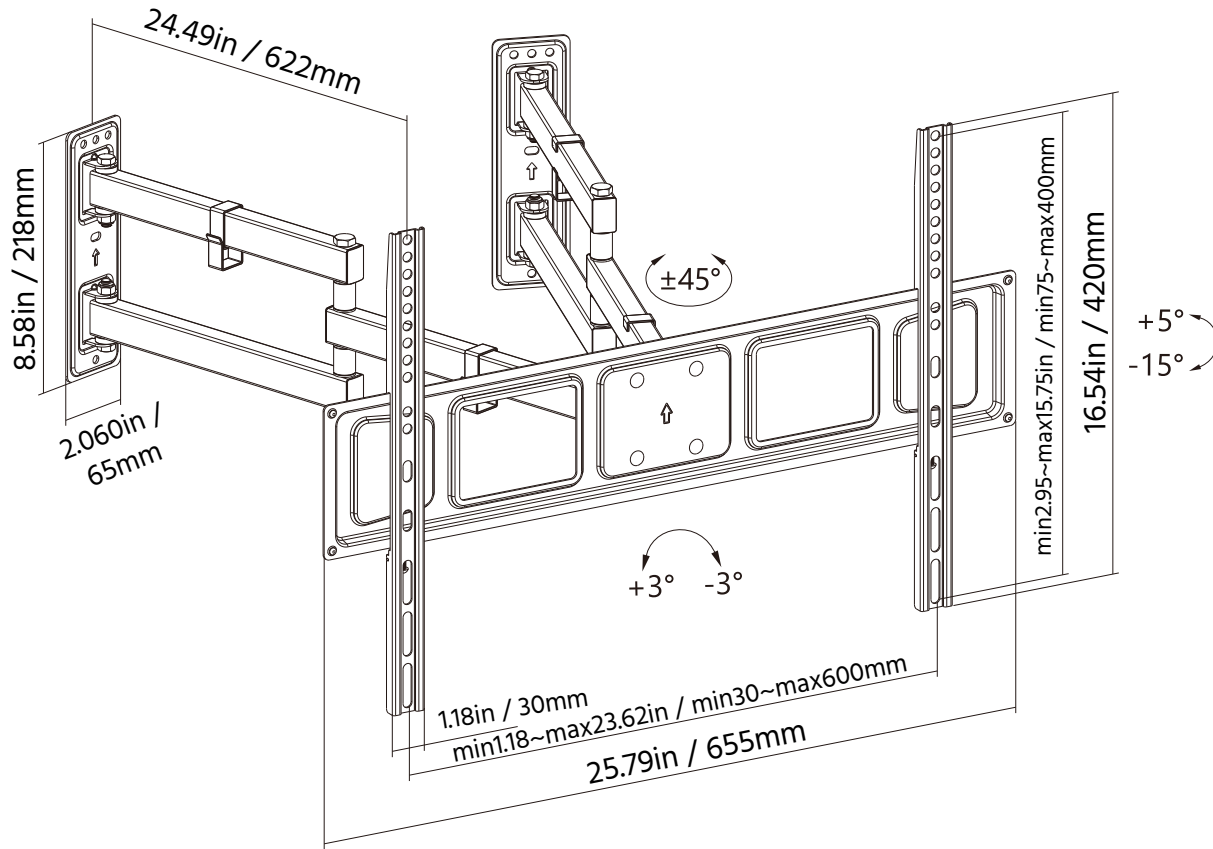


VERSION INFORMATION (Vender)			
Rev.	Rev. Date	Modified By	Brief Description
V1	2022/03/16		Initial Issue
V2			



A (x1)  
 B (x2)  
 C (x1)

<b>M-A (x4)</b> M5x14	<b>M-B (x4)</b> M6x14	<b>M-C (x4)</b> M6x30	<b>M-D (x4)</b> M8x30
<b>M-E (x4)</b> M8x50	<b>M-F (x4)</b>	<b>M-G (x8)</b>	<b>M-H (x8)</b>
<b>W-A (x8)</b> ST6.3x55	<b>W-B (x8)</b> Ø10x45	<b>W-C (x8)</b>	

NO.	PART NAME	SPECIFICATION DESCRIPTION	QTY	UNIT
③				
②				
①	43200	Monoprice Cornerstone Series Corner Friendly Full-Motion Articulating TV Wall Mount Bracket For TVs 37in to 70in		

VENDOR CODE :	<b>V10522</b>	DESCRIPTION :	Monoprice Cornerstone Series Corner Friendly Full-Motion Articulating TV Wall Mount Bracket For TVs 37in to 70in		
APPROVED BY PM & DATE :		PID # :	<b>43200</b>		
PM PRINT NAME :		DATE :	UNIT :	SHEET :	FILE NAME :
		2022/03/16	MM	1 OF 2	PID_PRODUCT