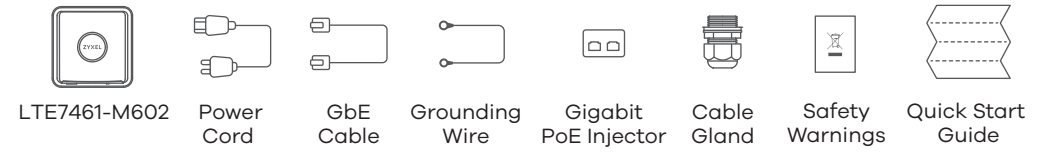


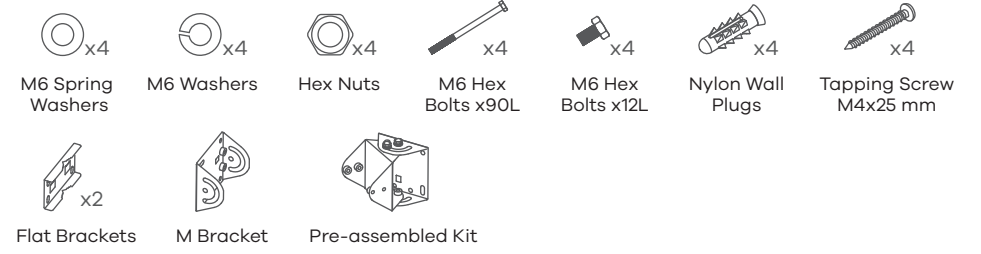
Quick Start Guide



Package Contents



Mounting Kit



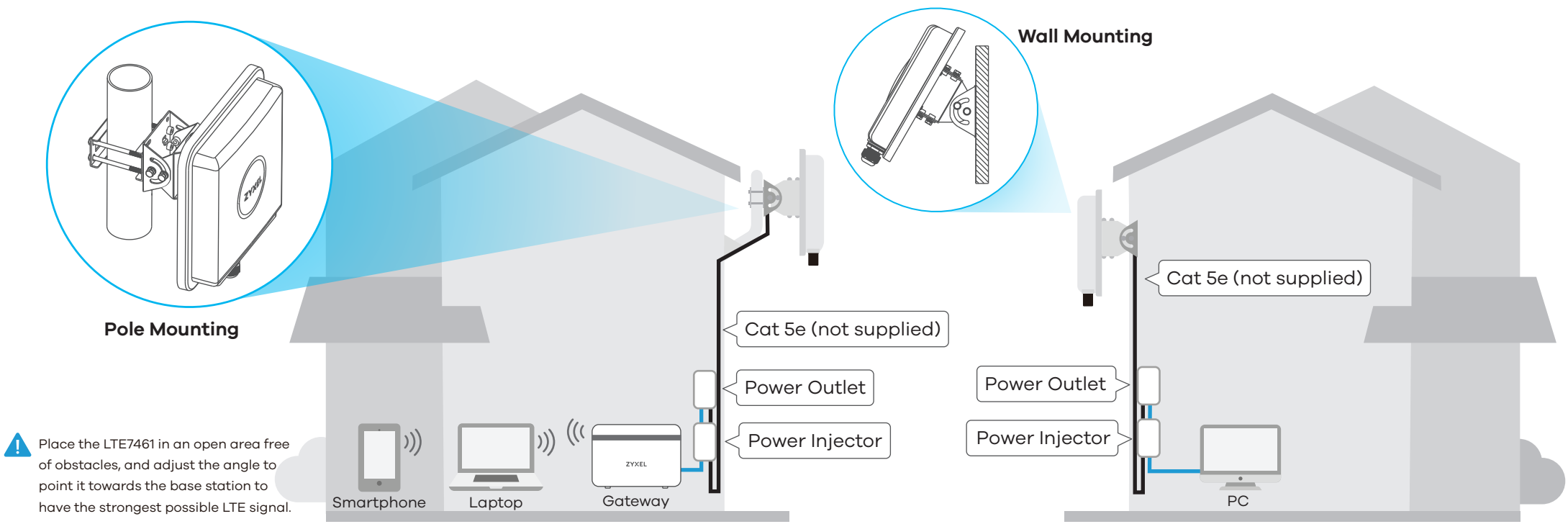
See the User's Guide at www.zyxel.com for more information, including customer support and safety warnings.

US Importer

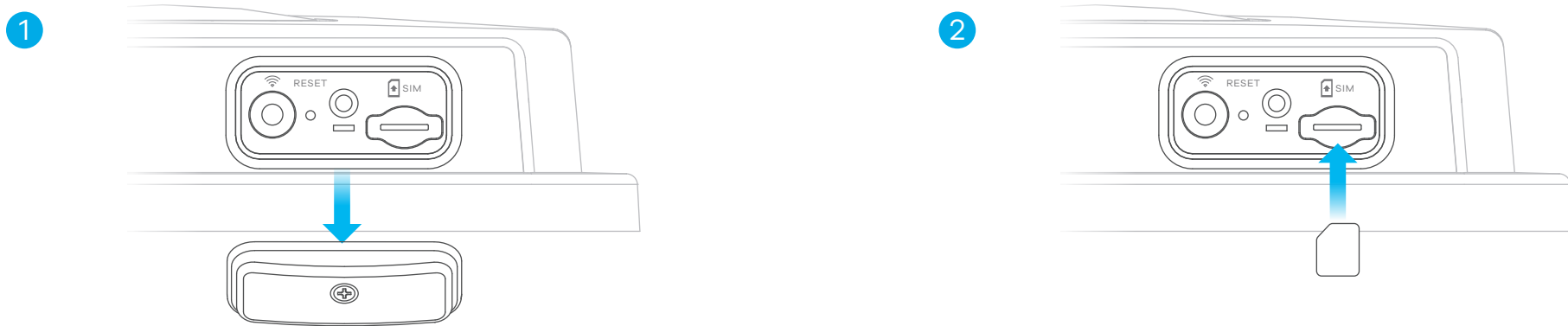
Zyxel Communications, Inc
1130 North Miller Street Anaheim, CA 92806-2001
<http://www.us.zyxel.com>

Copyright © 2019 Zyxel Communications Corp. All Rights Reserved.

Location Examples



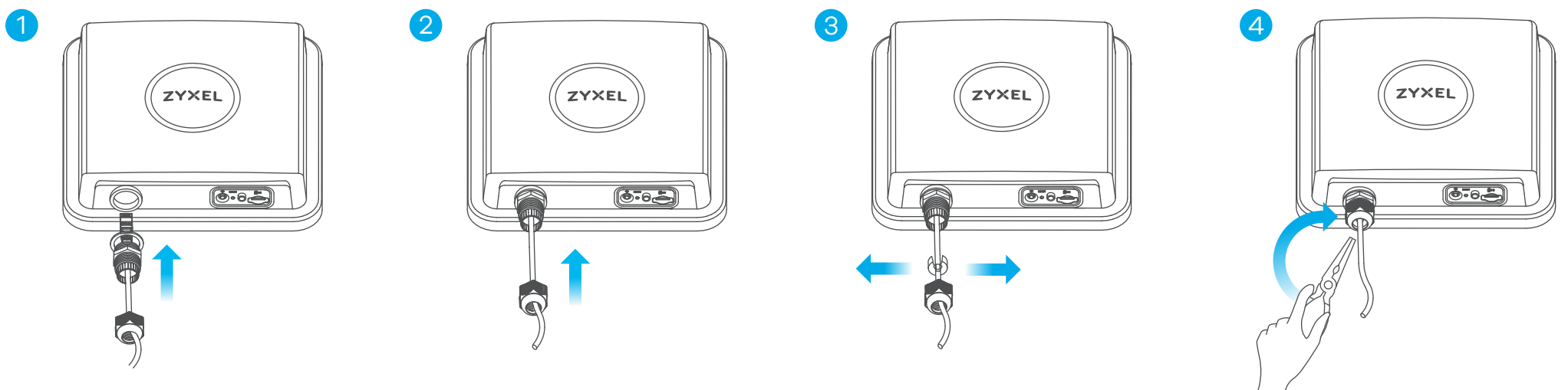
Step 1 SIM Card Installation



① Make sure the LTE7461 is turned off. There should be no Ethernet cable connected providing power using PoE. Unscrew the SIM card slot cover and remove it.

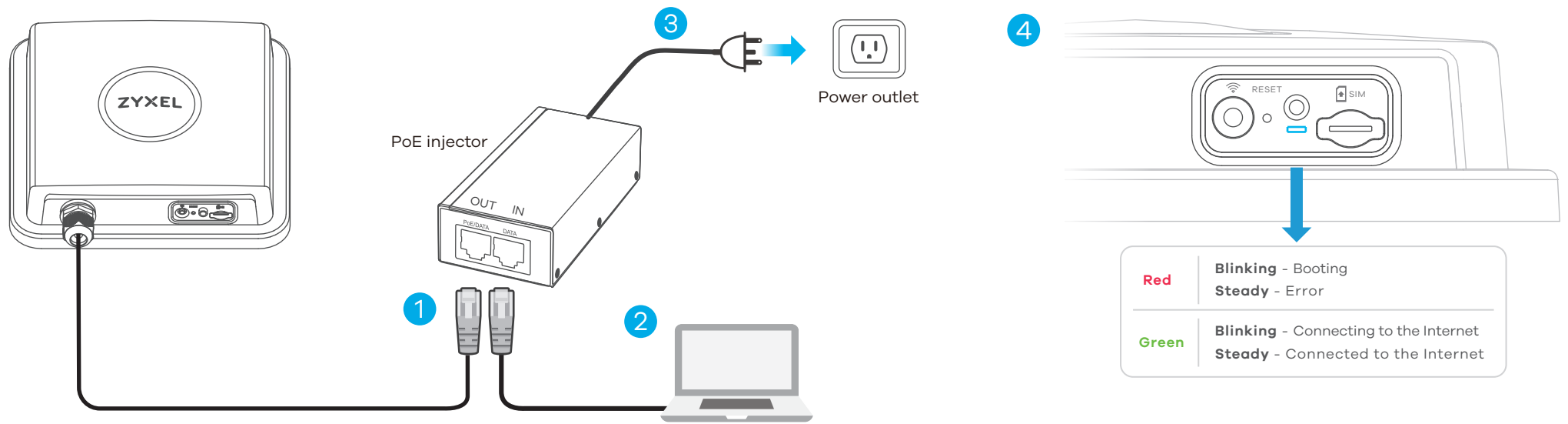
② Insert your SIM card provided by an LTE ISP (Internet Service Provider).

Step 2 Cable Connections

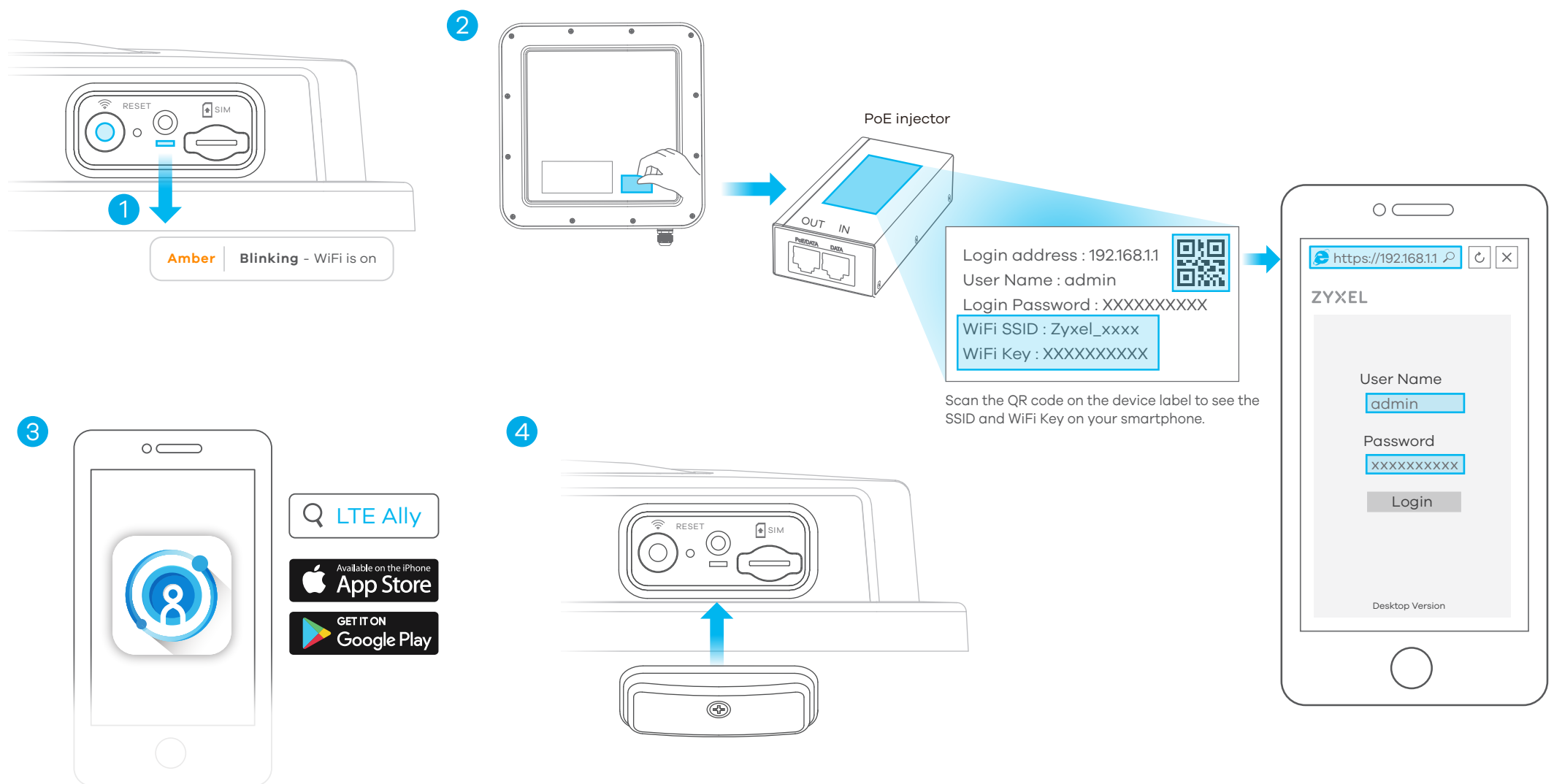


①-④ Follow steps 1 to 4 in the drawing to connect an 8-pin Cat 5e Ethernet cable to the LTE7461's LAN port.

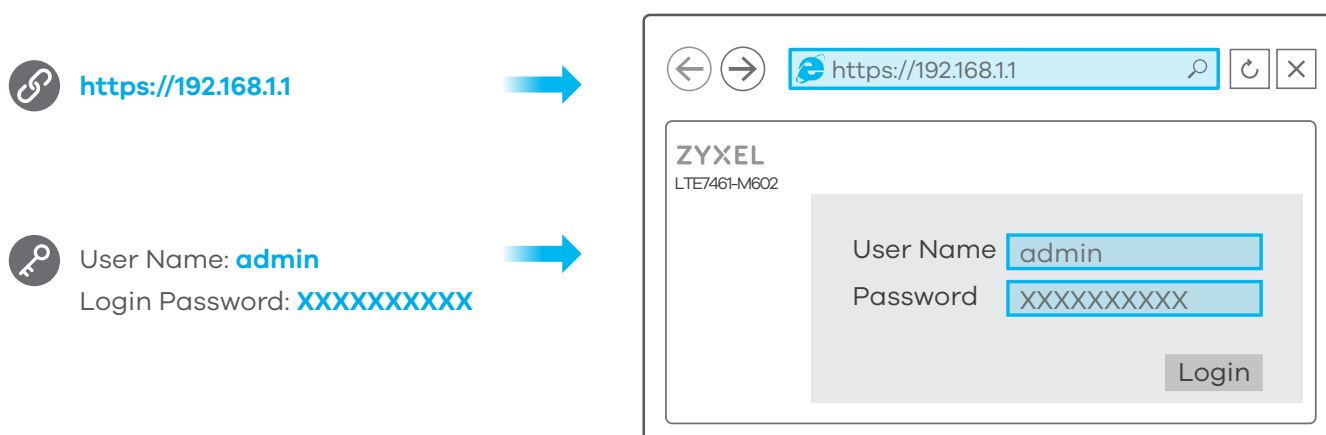
Step 3 Cable Connections



Step 4 Connecting WiFi to Your LTE7461 for Easy Setup



Configuring Your LTE7461 (Optional)



Open a web browser and go to <https://192.168.1.1>.
Enter the default username (admin) and password (see label), and then click Login.
See the User's Guide at www.zyxel.com for more information.

Step 5 Pole / Wall Mounting: Connect Pre-assembled Bracket

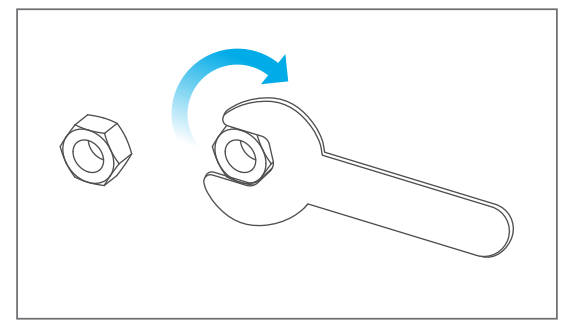
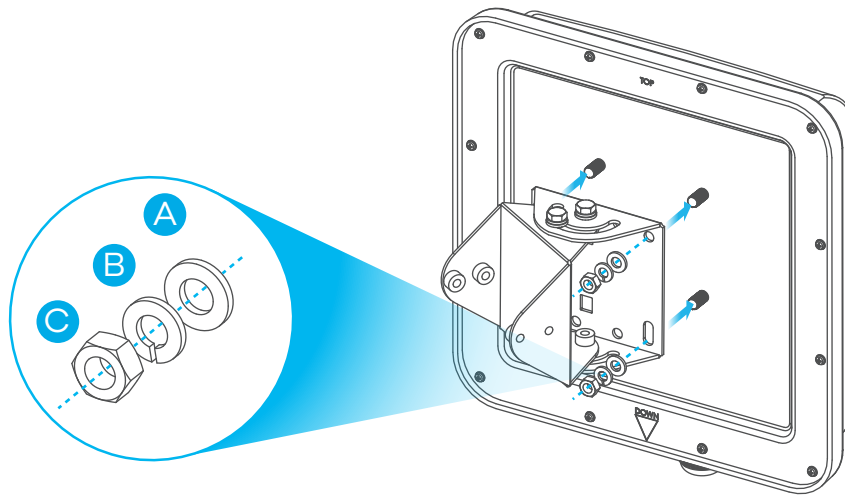
A Four M6 Spring Washers



B Four M6 Washers



C Four Hex Nuts

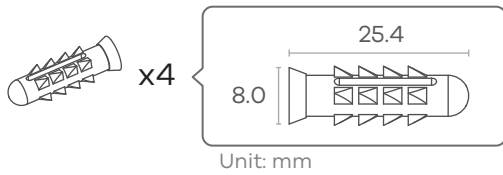


Use the wrench to tighten the nuts in the final step.

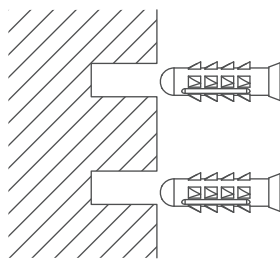
Make sure the LTE7461 is turned off. Disconnect the PoE injector from the power outlet. Use A, B and C to attach the bracket to the LTE7461.

Wall Mounting (Optional)

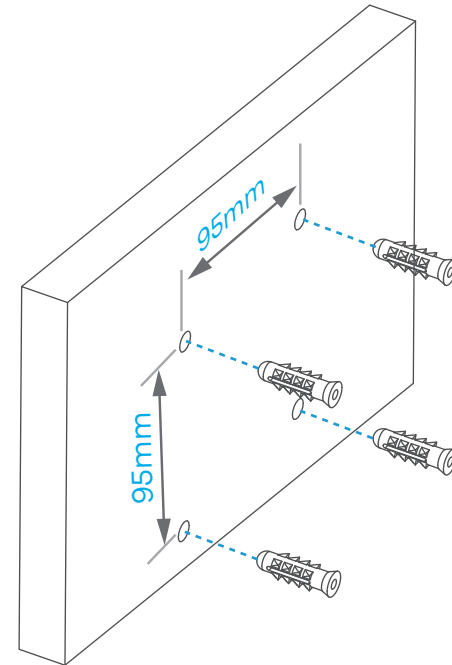
A Four Nylon Wall Plugs



1



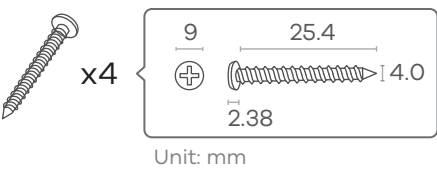
2



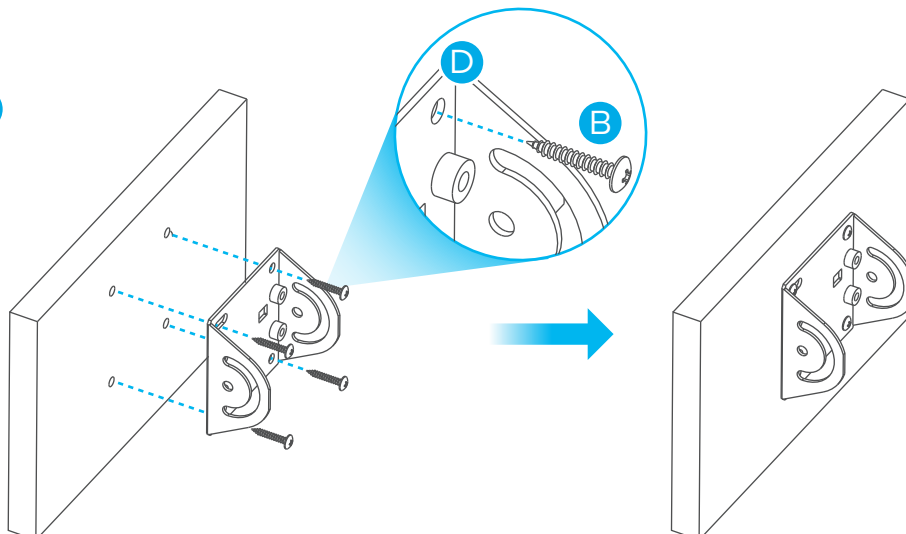
① Use the four corner holes of the M bracket to mark holes on a wall. Drill four holes in a wall.

② Insert the screw anchors and screws into the holes.

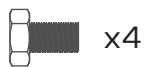
B Tapping Screw M4x25 mm



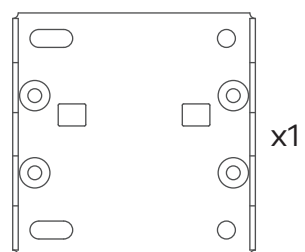
3



C Four M6 Hex Bolts x12 L



D One M Bracket



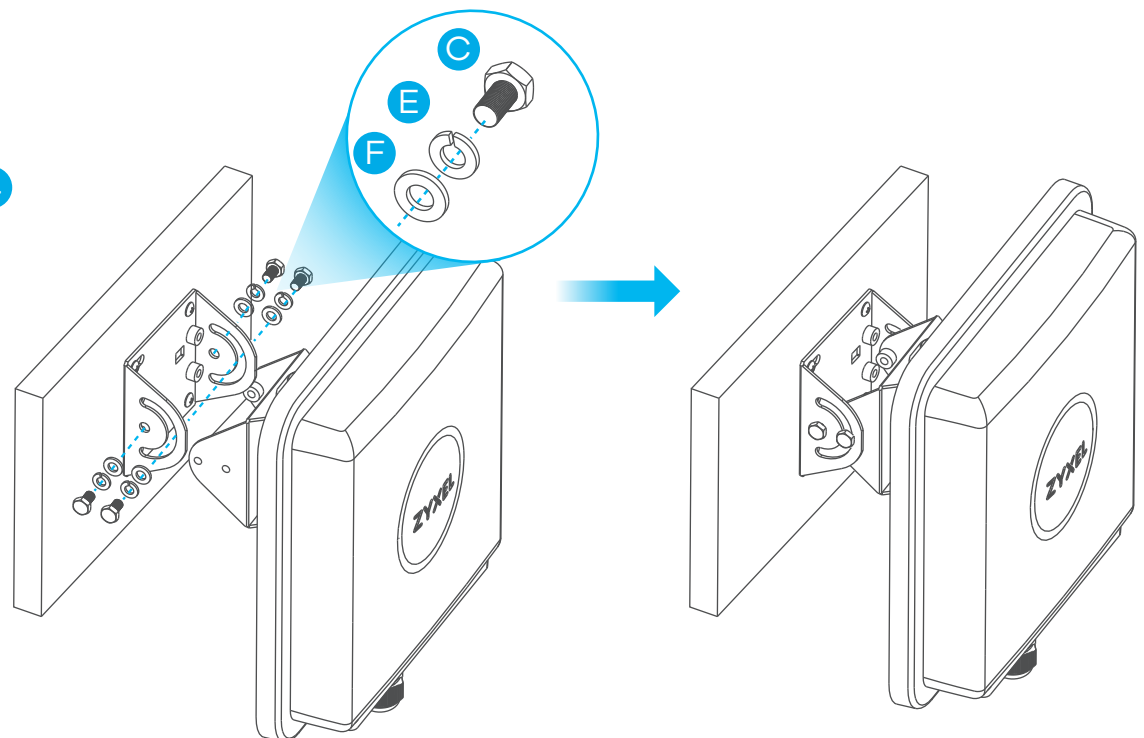
E Four M6 Washers



F Four M6 Spring Washers



4



③ Secure the M bracket to the wall.

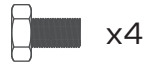
④ Secure the LTE7461 to the M bracket.

Pole Mounting (Optional)

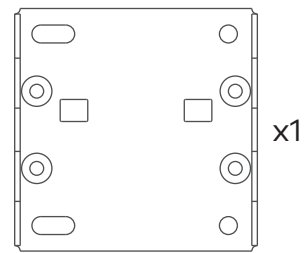
A Four M6 Hex Bolts x90L



B Four M6 Hex Bolts x12 L



C One M Bracket



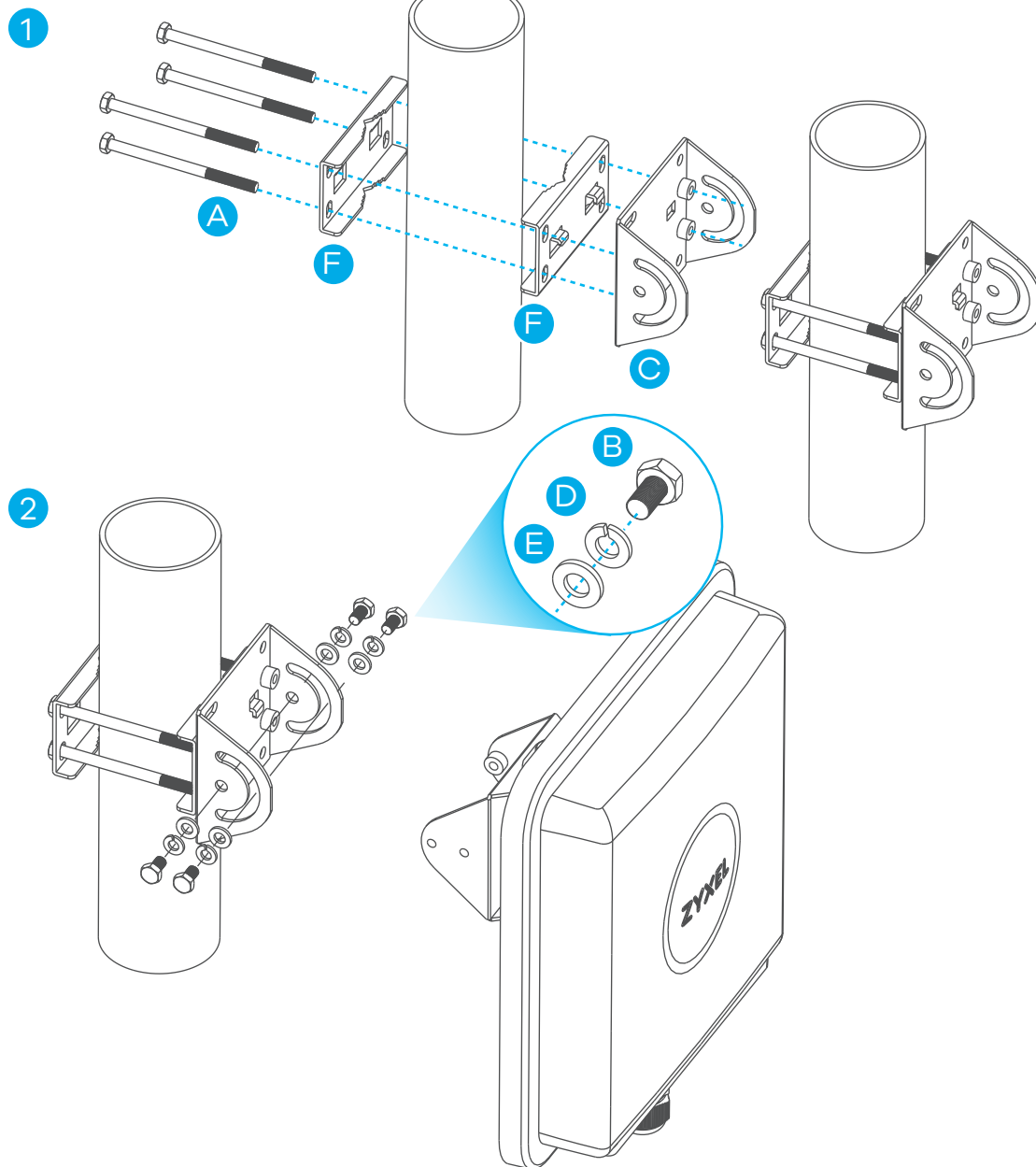
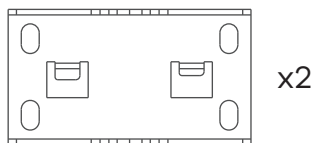
D Four M6 Washers



E Four M6 Spring Washers



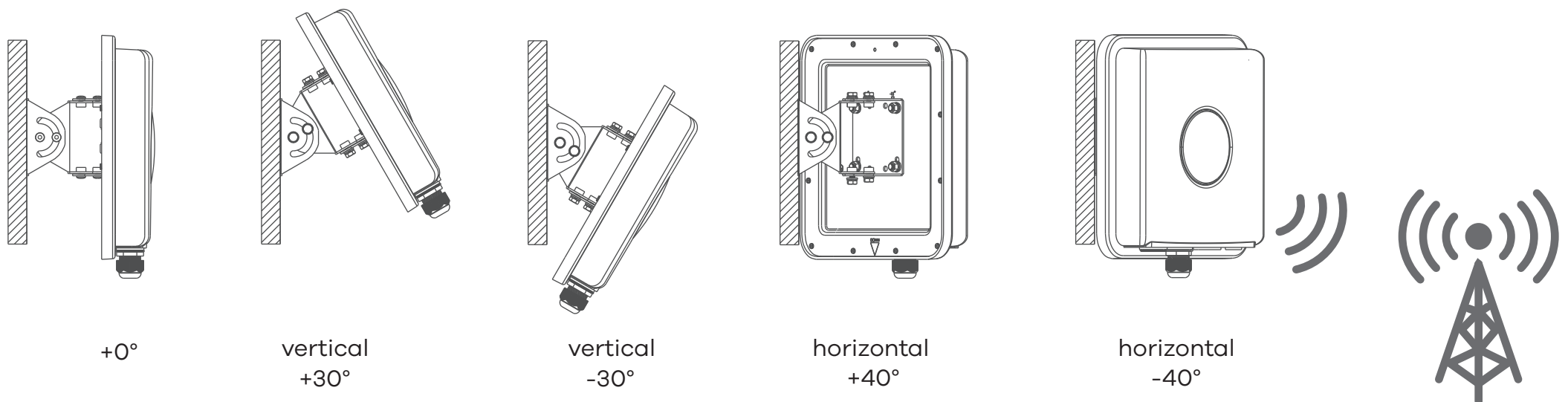
F Two Flat Brackets



① Use A, F and C to attach the brackets to the pole.

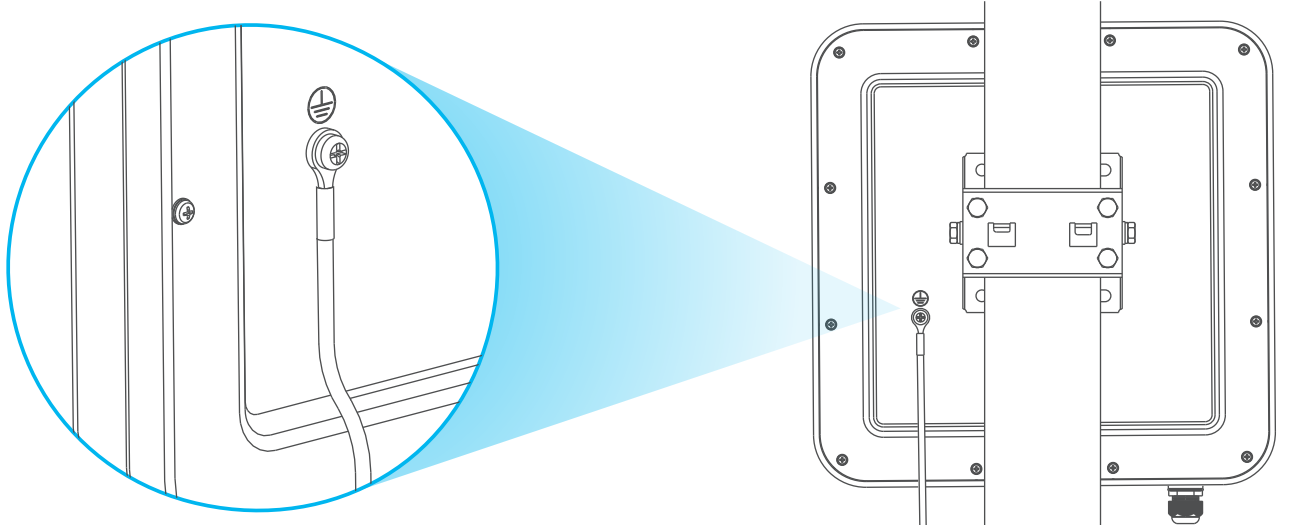
② Use B, D and E to attach the LTE7461 with the port facing down to C on the pole. Do not tighten the bolts too much.

Step 6 Pole / Wall Mounting Angle Adjustment



Turn the LTE7461 on. Connect the PoE injector to a power outlet.
Use the LTE Ally app to find the optimal LTE signal strength and manage your LTE7461.
Note: After configuring the LTE7461, turn WiFi off.

Step 7 Grounding



Use the M4 screw to secure the ground cable to the ground hole on the LTE7461's rear panel.
Attach the other end of the cable to the ground, either to the same ground electrode as the pole you installed the device on or to the main grounding electrode of the building.
Follow your country's regulations and safety instructions to electrically ground the device properly.

Safety Warnings

- Humid, dusty and extreme environment in which place the product and obstructing the device ventilation slots are prohibited, any kind of conditions above may harm your device.
- There is a remote risk of electric shock from lightning. Do not install, use, or service this device during a thunderstorm.
- Connect only suitable accessories to the device; make sure to connect the cables to the correct ports.
- Do not open the device, opening or removing covers can expose you to dangerous high voltage points or other risks. Please contact your vendor for further information.
- Place connecting cables carefully so that no one will step on them or stumble over them and disconnect all cables from this device before servicing or disassembling.
- Please use the provided or designated connection cables/power cables/ Power over Ethernet (PoE) Injector connect it to the right supply voltage (for example, 110V AC in North America or 230V AC in Europe), If the power cord or PoE is damaged, it might cause electrocution. Remove it from the device and the power source, repairing the power adapter or cord is prohibited, Contact your local vendor to order a new one.
- Please refer to the device back label, datasheet or box specifications catalog information for rated power of device and operating temperature.
- The socket-outlet shall be installed near the device, and shall be easily accessible because it serves as the main disconnecting device.

Disposal and Recycling Information

The symbol below means that according to local regulations your product and/or its battery shall be disposed of separately from domestic waste. If this product is end of life, take it to a recycling station designated by local authorities. At the time of disposal, the separate collection of your product and/or its battery will help save natural resources and ensure that the environment is sustainable development.

