



## SafeDome™ Cable Lock for iMac® 24"

Part Number: K68995WW | UPC Code: 0 85896 68995 9

Keep your  
iMac secured.

Users of the new 24" iMac require a non-intrusive solution to secure their investment that matches the Apple aesthetic.

The SafeDome™ Cable Lock for iMac® 24" provides class-leading security without impacting functionality, and requires no hardware modifications.

Verified and tested for industry-leading standards in torque/pull, foreign implements, lock lifecycle, corrosion, and other environmental conditions, this lock comes with a five-year limited warranty. So you can rest assured knowing you're covered by Kensington, inventor and a worldwide leader in laptop security locks.

Features include:

- SafeDome™ technology
- ClickSafe® lock
- Thick Ultra Cable
- Allows full adjustability of iMac
- Built-in cable management
- Verified and tested
- Register & Retrieve™
- Five-year limited warranty

## SafeDome™ Cable Lock for iMac® 24"

Part Number: K68995WW | UPC Code: 0 85896 68995 9



### SafeDome™ Technology

The sleek, sturdy metal housing has been tested against the most rigorous and thorough standards in the industry, and can be quickly and easily attached to the iMac stand. No tools required.



### ClickSafe® Lock

The heavy-duty lock fits directly into the SafeDome, providing superior anti-theft security for your iMac in one click.



### Ultra Cable

The thicker cable is 60% stronger than a standard cable. Made of woven carbon steel and covered by an anti-shearing sleeve for our highest level of protection against cutting attempts.



### Full Adjustability

The iMac base is free to move around the desktop as far as the lock cable will allow, and the ability to tilt the screen for optimal viewing remains fully functional.



### Cable Management

A special pass-thru allows you to route cables for wired USB accessories such as a keyboard or mouse.



### Verified and Tested

Each Kensington lock is precision engineered to meet or exceed rigorous industry standards for strength, physical endurance, and mechanical resilience.



Register & Retrieve™

### Register & Retrieve™

Kensington's online key registration program that allows for quick, secure, and free key replacement if ever lost or stolen.



### Five-Year Limited Warranty

Rest assured knowing you're covered by Kensington, inventor and a worldwide leader in laptop security locks.

## SafeDome™ Cable Lock for iMac® 24"

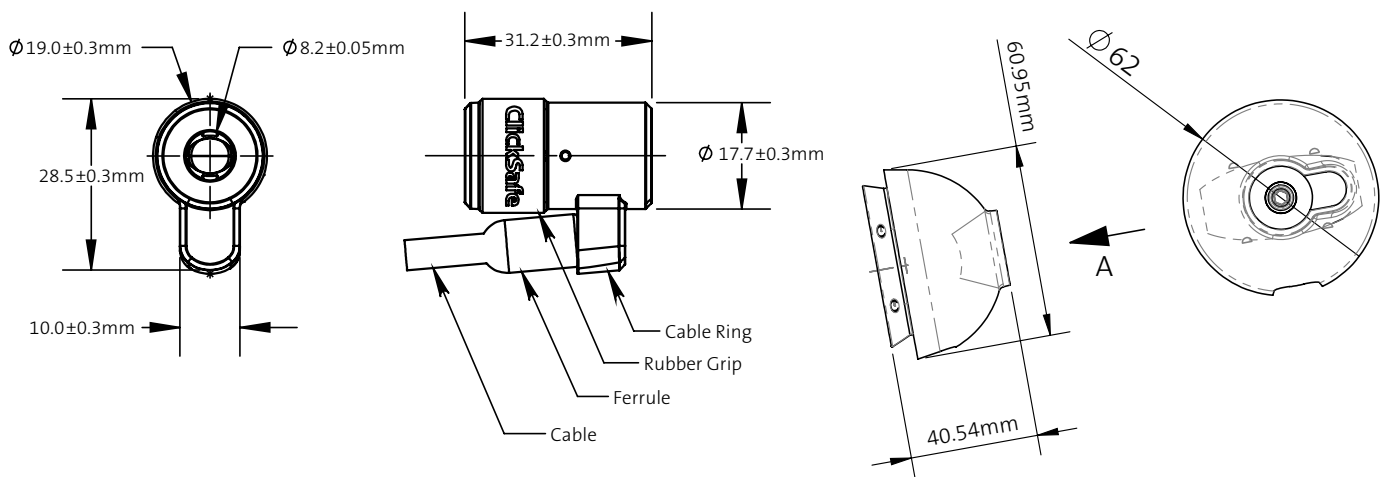
Part Number: K68995WW | UPC Code: 0 85896 68995 9

### Material Specifications

Lock Head	Lock: Zinc Die Cast Adapter: Zinc Die Cast and Stainless Steel
Keys	Zinc die cast, Nylon plastic
Cable Lock	Carbon Steel with Protective Sheathing
Product Color	Silver

### Product Dimensions

Lock Head Dimensions	ClickSafe Lock Head Only: 1.23 x 1.12 x 0.70in (31.2 x 28.5 x 17.7mm) Adapter and Dome only: 1.60 x 2.40 x 2.44in (40.54 x 60.95 x 62.0mm)
Cable Dimensions	Ultra Cable Diameter: 0.39in (10mm) Inner Steel Wires Diameter: 0.24in (6mm)
Unit Weight	Lock + Key + Adapter + Dome: 1.60lbs (730g) Adapter + Dome: 0.55lbs (254g)



Cable Ring Options:  
Full Pivot - As shown

Cable Options:  
Ultra - 10mm diameter

## SafeDome™ Cable Lock for iMac® 24"

Part Number: K68995WW | UPC Code: 0 85896 68995 9

### Packaging Dimensions

Packaging Style	K68995WW: Retail Unit Box K68990L/M/S: B2B Unit Box
Packaging Dimensions	16.14 x 15.28 x 8.82in (410 x 388 x 224mm)
Packaging Dimensions (Unit)	K68995WW 7.28 x 8.19 x 3.07in (185 x 208 x 78mm) K68990L 7.17 x 7.99 x 2.95in (182 x 203 x 75mm) K68990M 7.17 x 7.99 x 2.95in (182 x 203 x 75mm) K68990S 7.17 x 7.99 x 2.95in (182 x 203 x 75mm)
Packaging Weight	K68995WW 22.82lbs (10.35kg) Unit: 2.10lbs (952g) K68990L 22.66lbs (10.28kg) Unit: 2.09lbs (949g) K68990M 22.75lbs (10.32kg) Unit: 2.03lbs (919g) K68990S 22.09lbs (10.02kg) Unit: 2.08lbs (945g)
Packaging Content	1 x Adapter 1 x Dome 1 x ClickSafe Lock with 10mm Ultra Cable 2 x Keys 1 x Instruction Guide 1 x Warranty Card
Master Carton	10 units

### Country of Origin, Regulatory, and Warranty

Country of Origin	China
Certifications & Compliance	RSL compliant, CA Prop65 compliant
Warranty	Limited 5-Years

### Special Notes

Multiple SKUs	Standard Keyed: K68995WW Master Keyed: K68990M Like Keyed: K68990L Supervisor Keyed: K68990S
---------------	---



All specifications are subject to change without notice. Products may not be available in all markets. Kensington and the ACCO name and design are registered trademarks of ACCO Brands. Kensington The Professionals' Choice is a trademark of ACCO Brands. All other registered and unregistered trademarks are the property of their respective owners. © 2022 Kensington Computer Products Group, a division of ACCO Brands. All rights reserved. k22-21103p

# Kensington

The Professionals' Choice™